

US00D457808S

(12) **United States Design Patent**
Williams

(10) **Patent No.:** **US D457,808 S**

(45) **Date of Patent:** **** May 28, 2002**

(54) **SOCK HOOK**

(75) Inventor: **Arnold H. Williams**, Boxborough, MA (US)

(73) Assignee: **Christmas Cove Designs, Inc.**, Richmond, ME (US)

(**) Term: **14 Years**

(21) Appl. No.: **29/142,074**

(22) Filed: **May 17, 2001**

2,521,037 A * 9/1950 Brinton 248/214
D244,883 S * 6/1977 Rohrmuller D8/370
D295,267 S * 4/1988 Saraga D11/42
D401,840 S * 12/1998 Goldman et al. D8/367

* cited by examiner

Primary Examiner—Pamela Burgess

(74) *Attorney, Agent, or Firm*—Pandiscio & Pandiscio

(57) **CLAIM**

The ornamental design for a sock hook, as shown and described.

Related U.S. Application Data

(63) Continuation of application No. 09/316,673, filed on May 21, 1999, now abandoned.

(51) **LOC (7) Cl.** **08-05**

(52) **U.S. Cl.** **D8/373; D8/367**

(58) **Field of Search** D8/367, 368, 370,
D8/373; 211/86.01; D11/40, 45, 42, 126,
130; 248/214, 215, 302–308, 309.1, 339,
341, 914

(56) **References Cited**

U.S. PATENT DOCUMENTS

2,473,086 A * 6/1949 Montero 211/86.01

DESCRIPTION

FIG. 1 is a perspective view of a sock hook showing my new design, the broken lines shown are for illustrative purposes only and form no part of the claimed design;

FIG. 2 is an enlarged perspective view thereof;

FIG. 3 is a right side elevational view thereof;

FIG. 4 is a left side elevational view thereof;

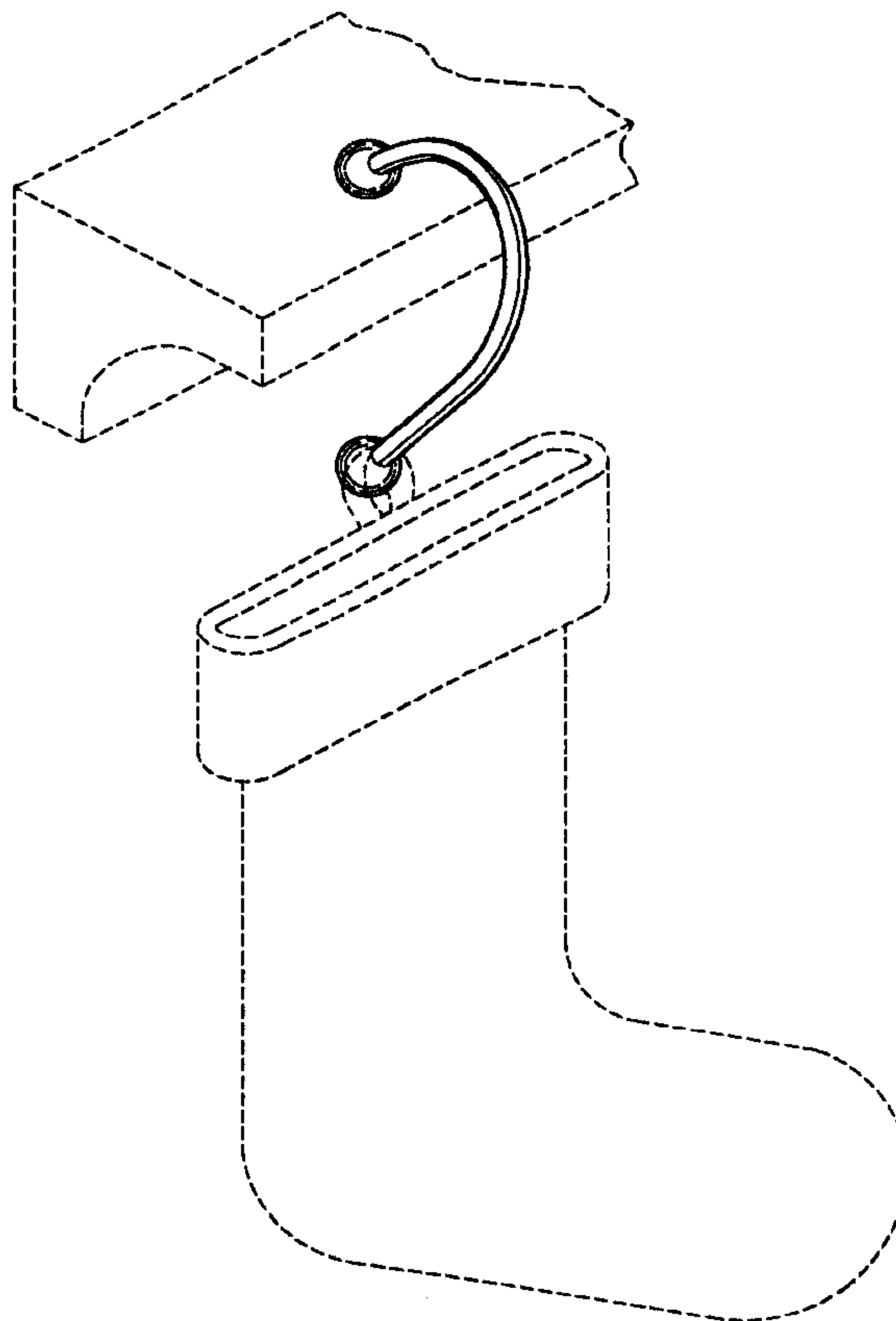
FIG. 5 is a top plan view thereof;

FIG. 6 is a bottom plan view thereof;

FIG. 7 is a front elevational view thereof; and,

FIG. 8 is a rear elevational view thereof.

1 Claim, 4 Drawing Sheets



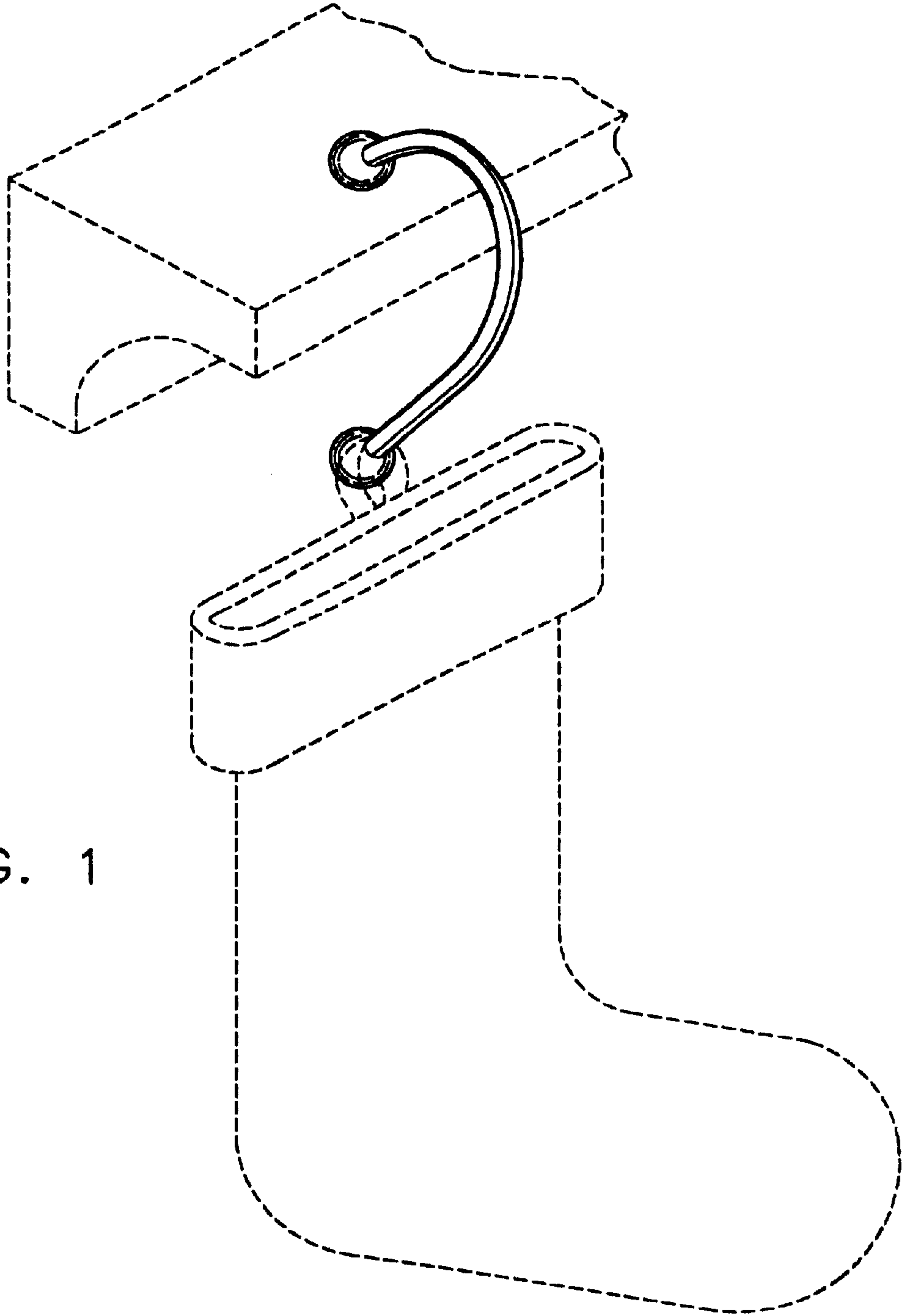


FIG. 1

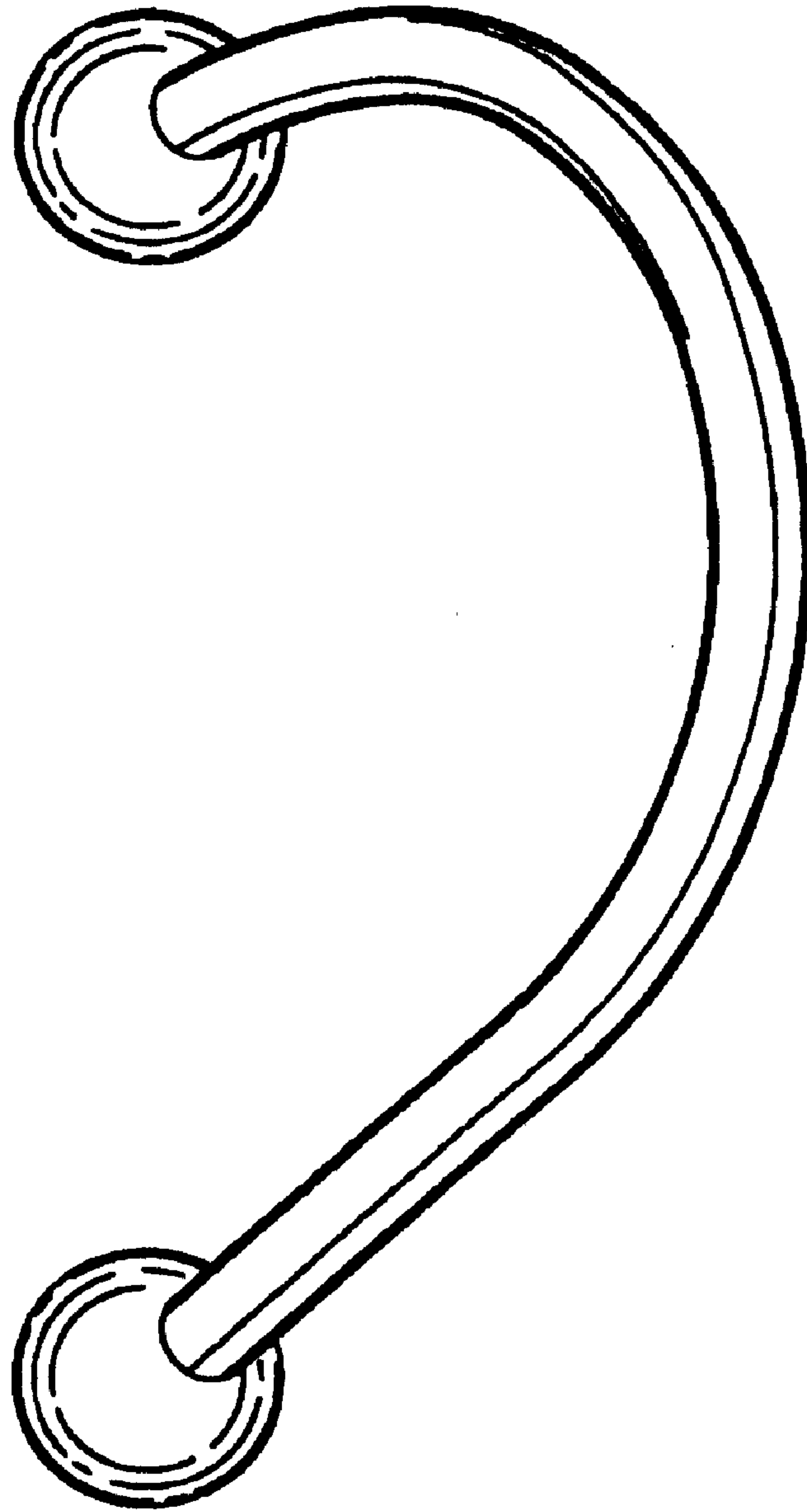


FIG. 2

FIG. 3

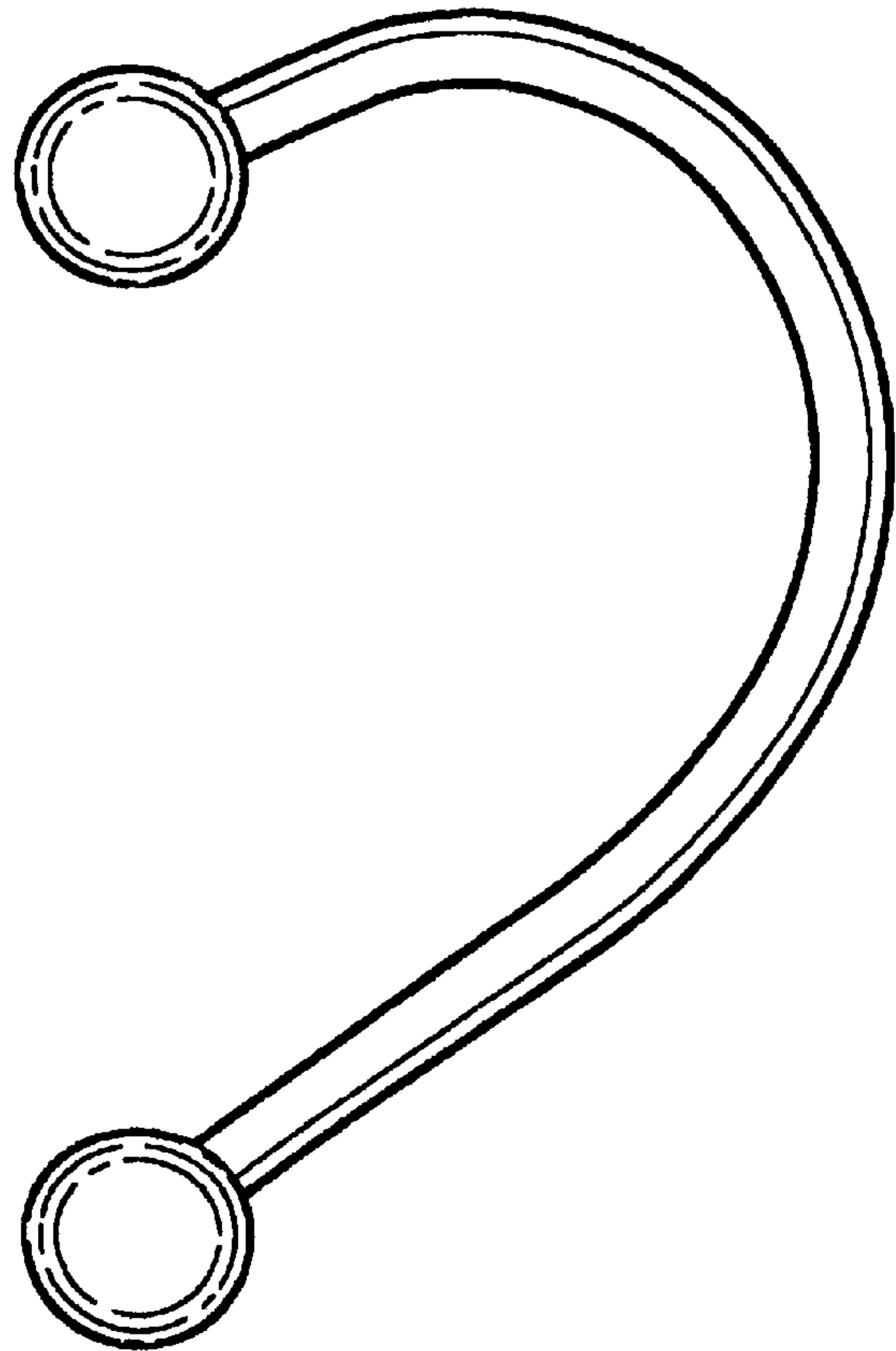
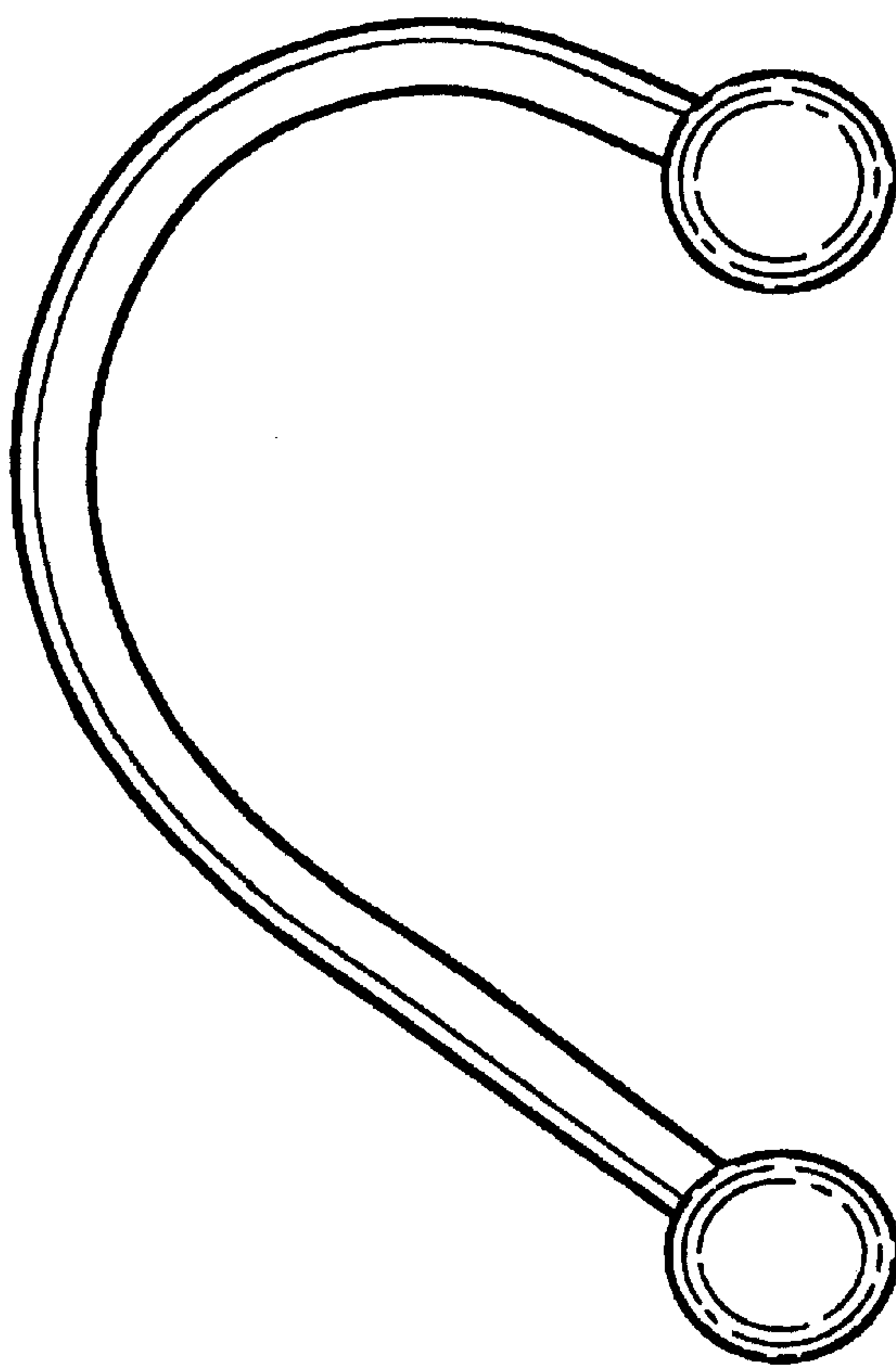


FIG. 4



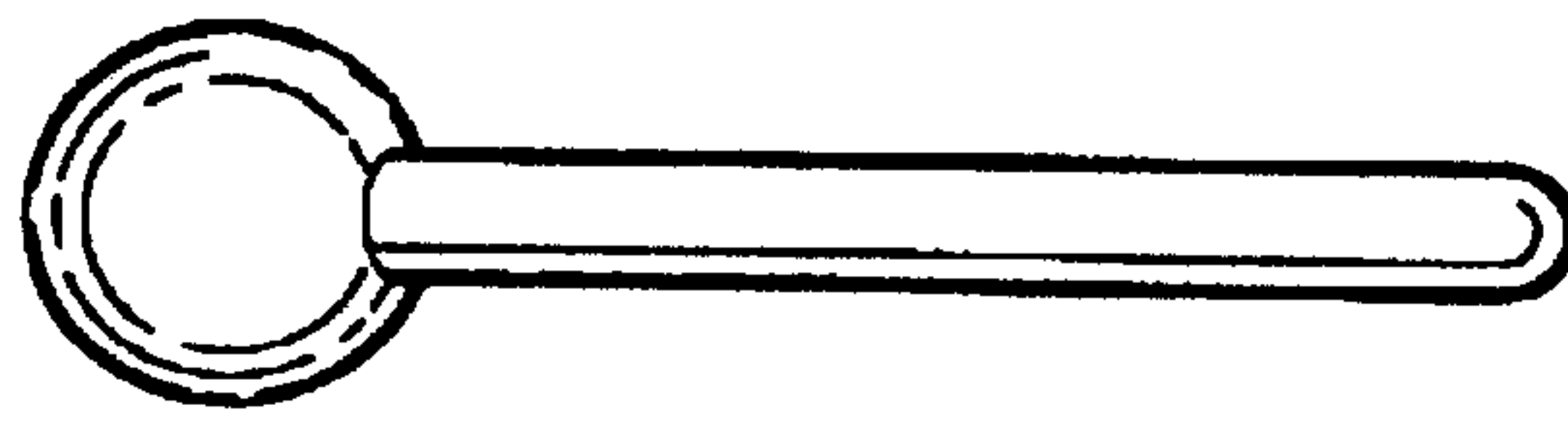


FIG. 5

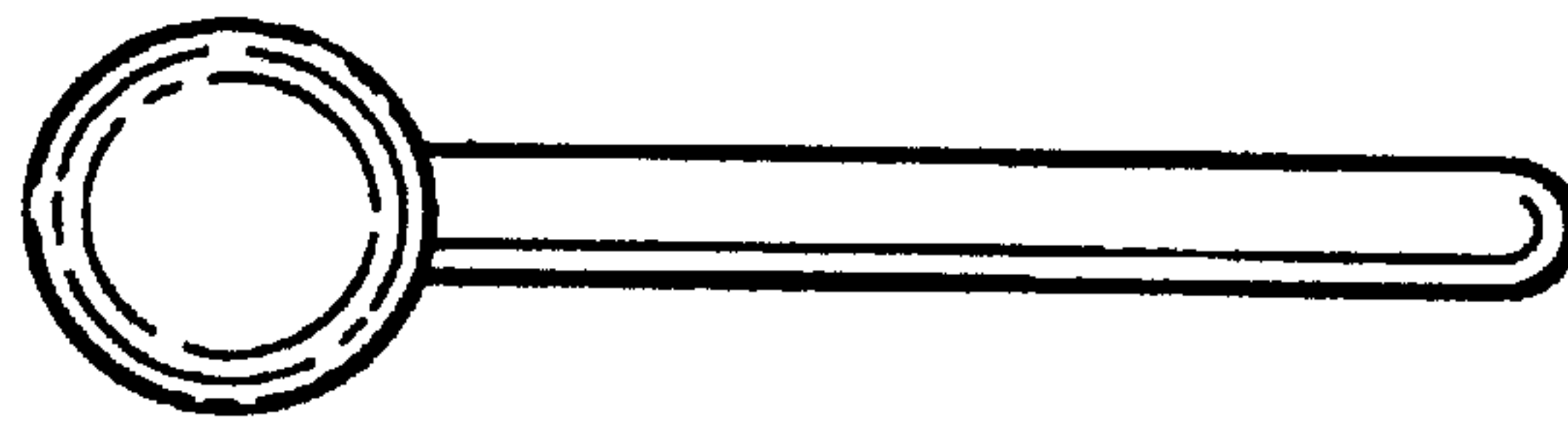


FIG. 6

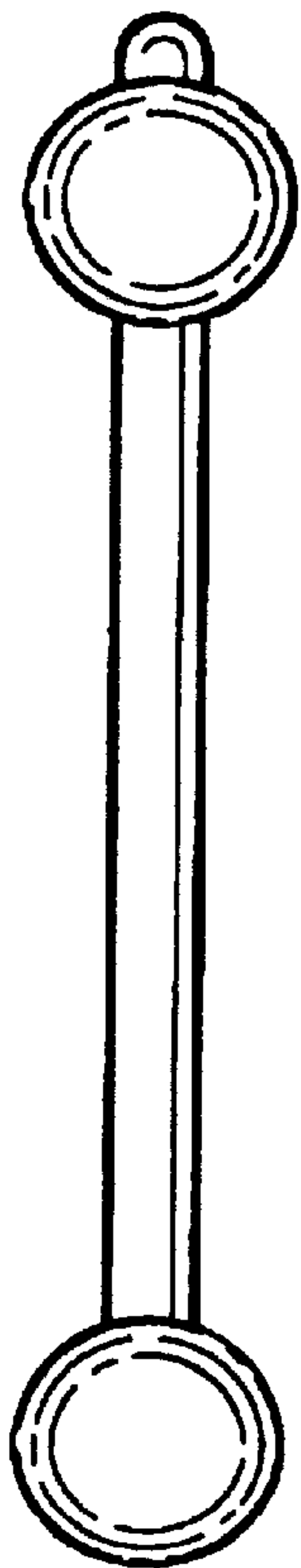


FIG. 7

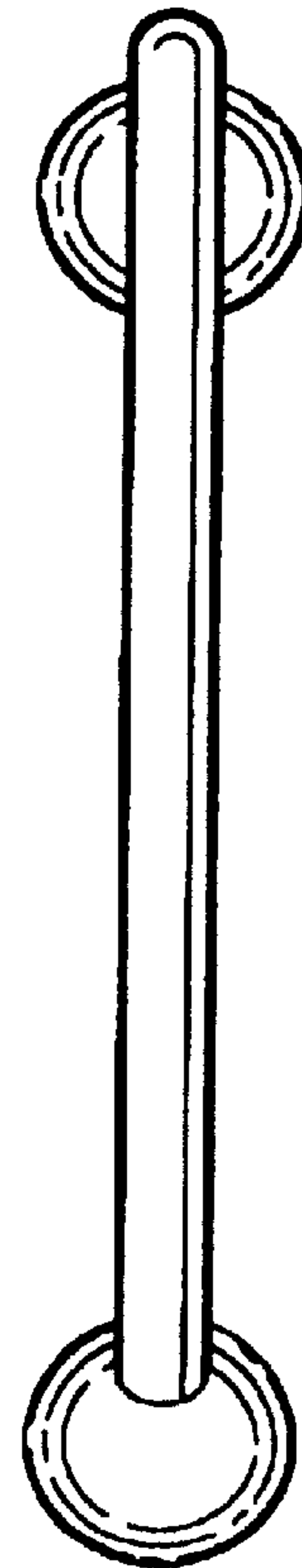


FIG. 8