



US00D457806S

(12) **United States Design Patent**  
**Stekelenburg**

(10) **Patent No.:** **US D457,806 S**

(45) **Date of Patent:** **\*\* May 28, 2002**

(54) **CABLE REEL**

D449,974 S \* 11/2001 Stekelenburg ..... D8/358

(75) Inventor: **Albert Stekelenburg**, Taipei (TW)

\* cited by examiner

(73) Assignee: **All-Line Inc.**, Taipei (TW)

*Primary Examiner*—Doris V. Coles

*Assistant Examiner*—Elizabeth A. Albert

(\*\*) Term: **14 Years**

(74) *Attorney, Agent, or Firm*—Troxell Law Office PLLC

(21) Appl. No.: **29/140,036**

(57) **CLAIM**

(22) Filed: **Apr. 12, 2001**

The ornamental design for a cable reel, as shown and described.

(51) **LOC (7) Cl.** ..... **08-05**

**DESCRIPTION**

(52) **U.S. Cl.** ..... **D8/358**

(58) **Field of Search** ..... D8/358, 359; 191/12.2 R,  
191/12.4; 242/371, 379, 388.1, 395, 396.1,  
398, 399, 402, 404, 405.3; 439/501

FIG. 1 is a top view of a cable reel showing my new design;  
FIG. 2 is a front view thereof;  
FIG. 3 is a right side elevational view thereof;  
FIG. 4 is a bottom view thereof;  
FIG. 5 is a left side elevational view thereof;  
FIG. 6 is a rear view thereof; and,  
FIG. 7 is a perspective view thereof.

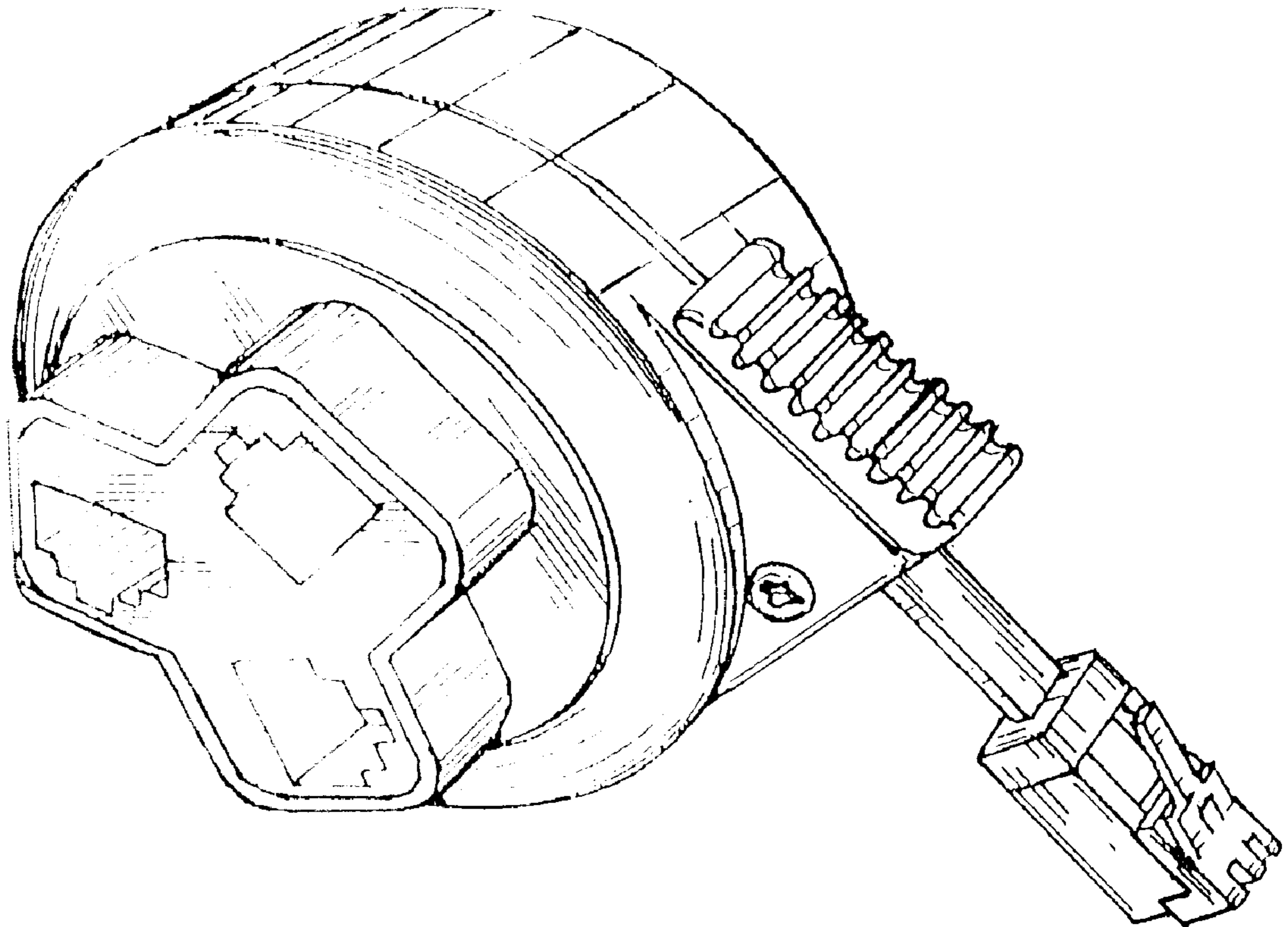
(56) **References Cited**

**U.S. PATENT DOCUMENTS**

D324,644 S \* 3/1992 Jacobs ..... D8/356

D377,447 S \* 1/1997 Blye ..... D8/358

**1 Claim, 2 Drawing Sheets**



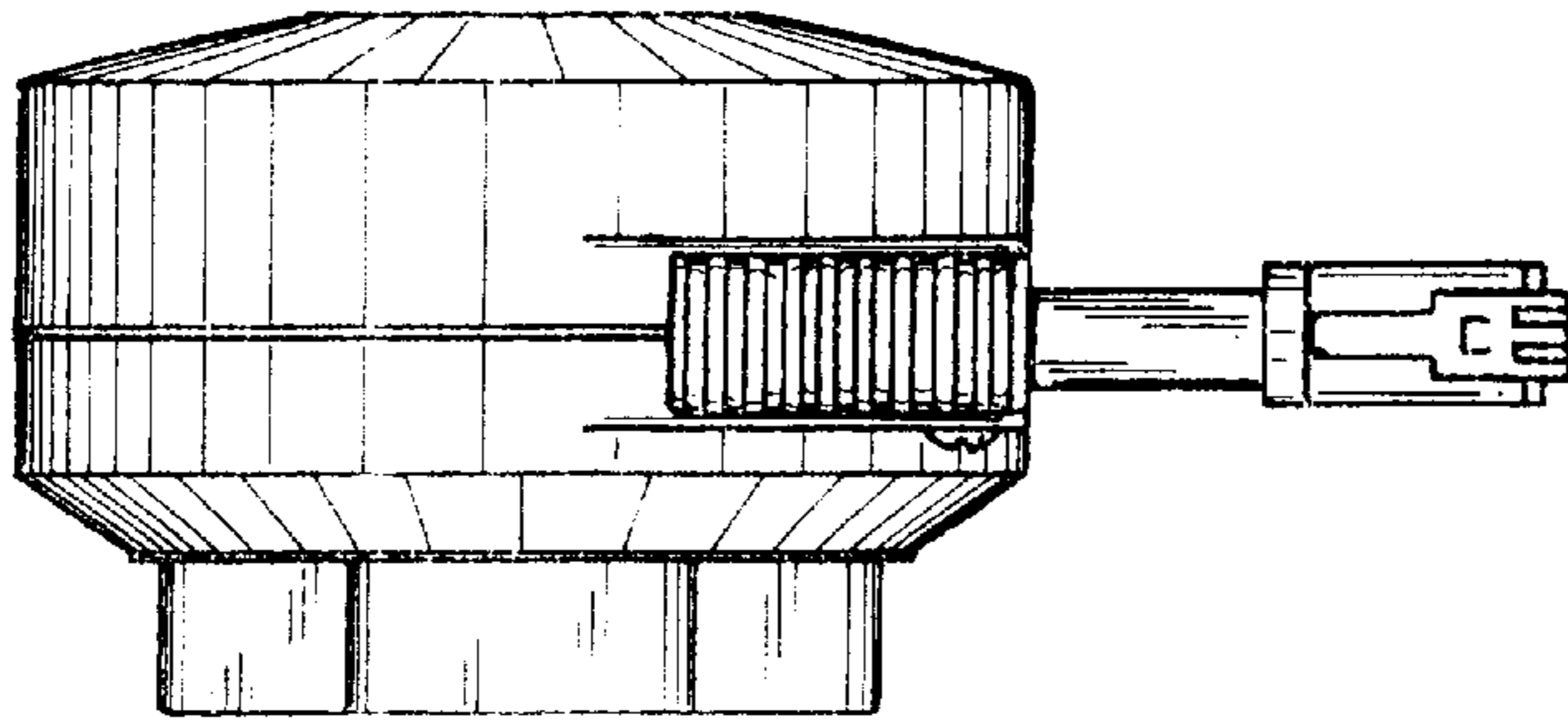


FIG. 1

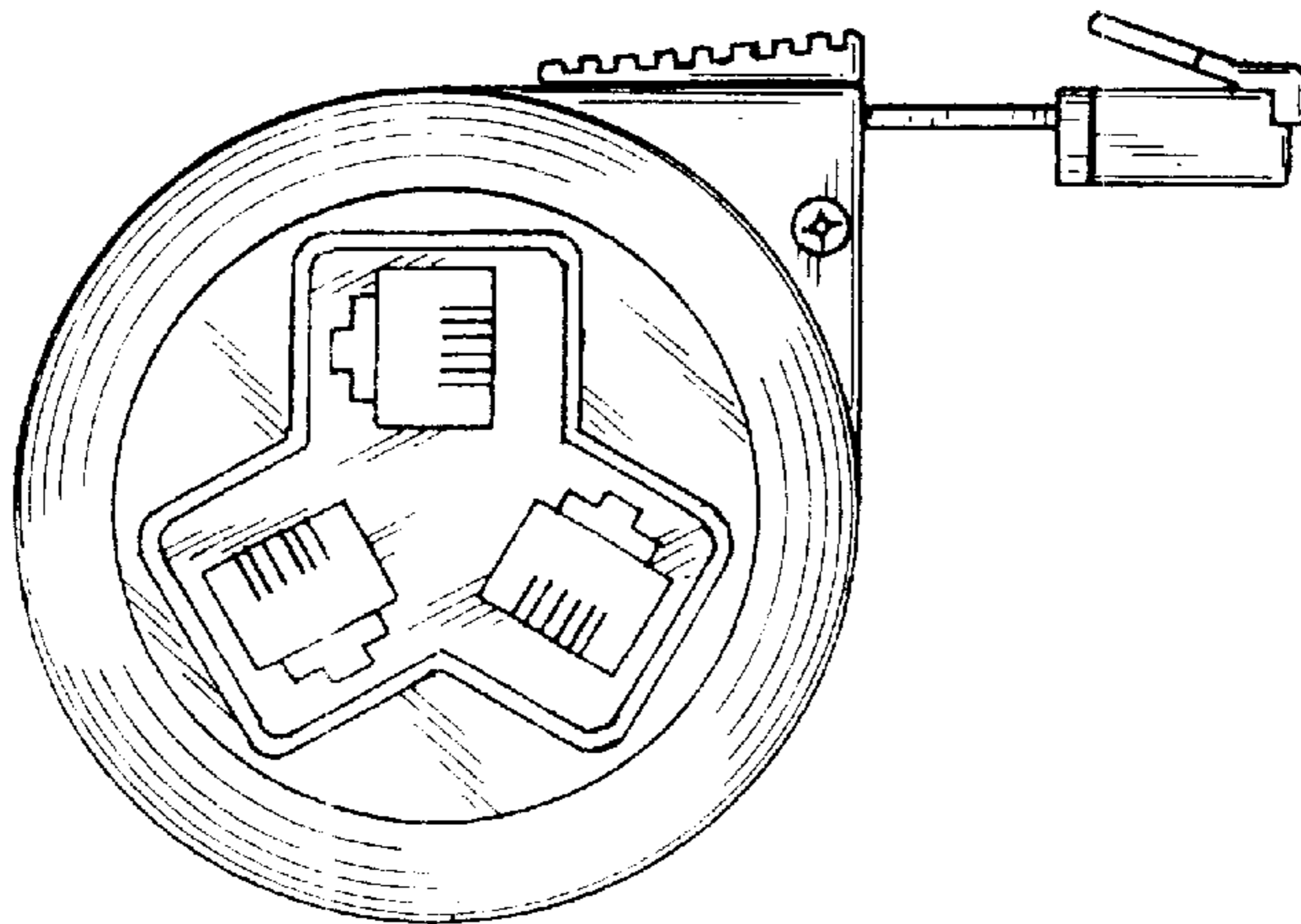


FIG. 2

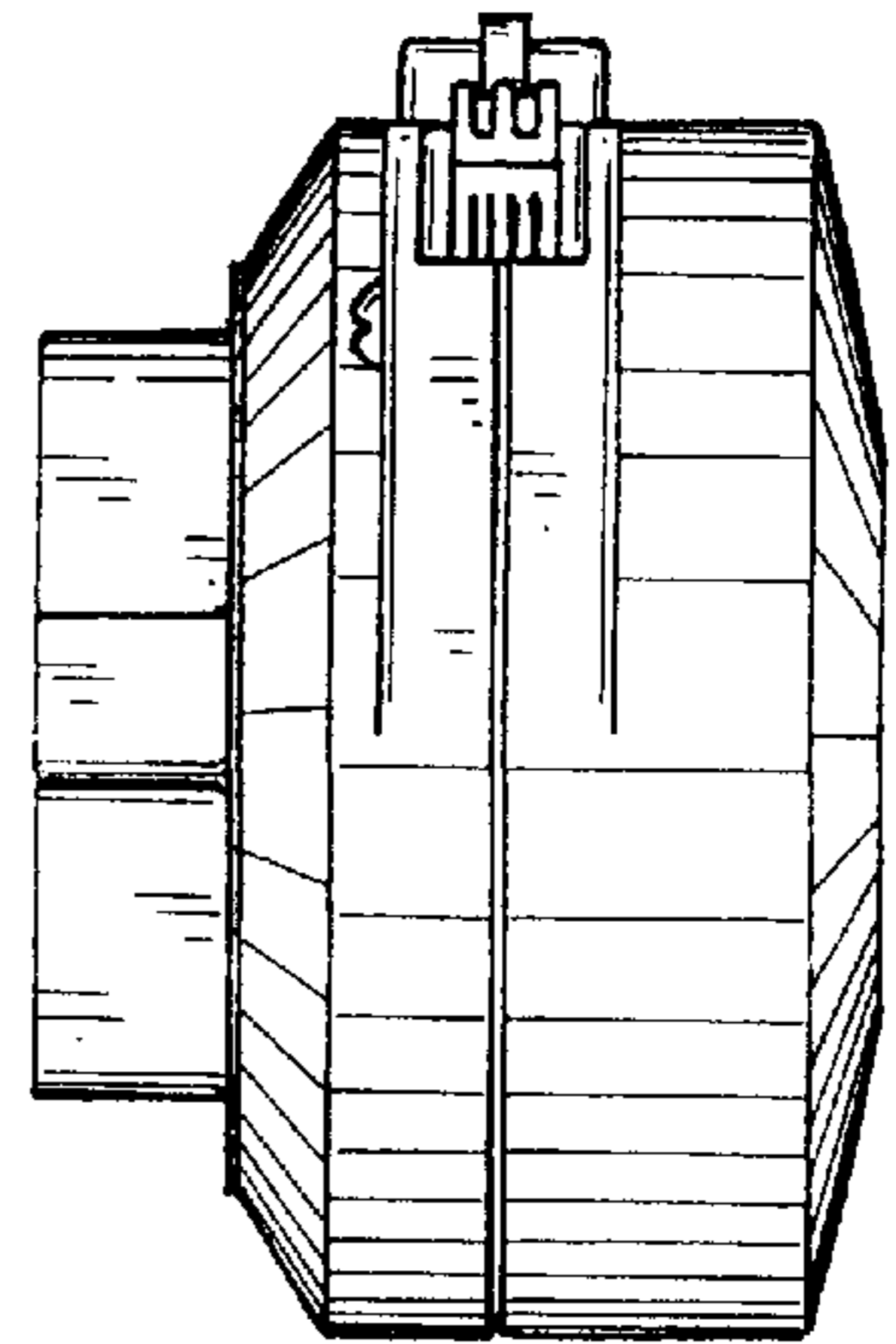


FIG. 3

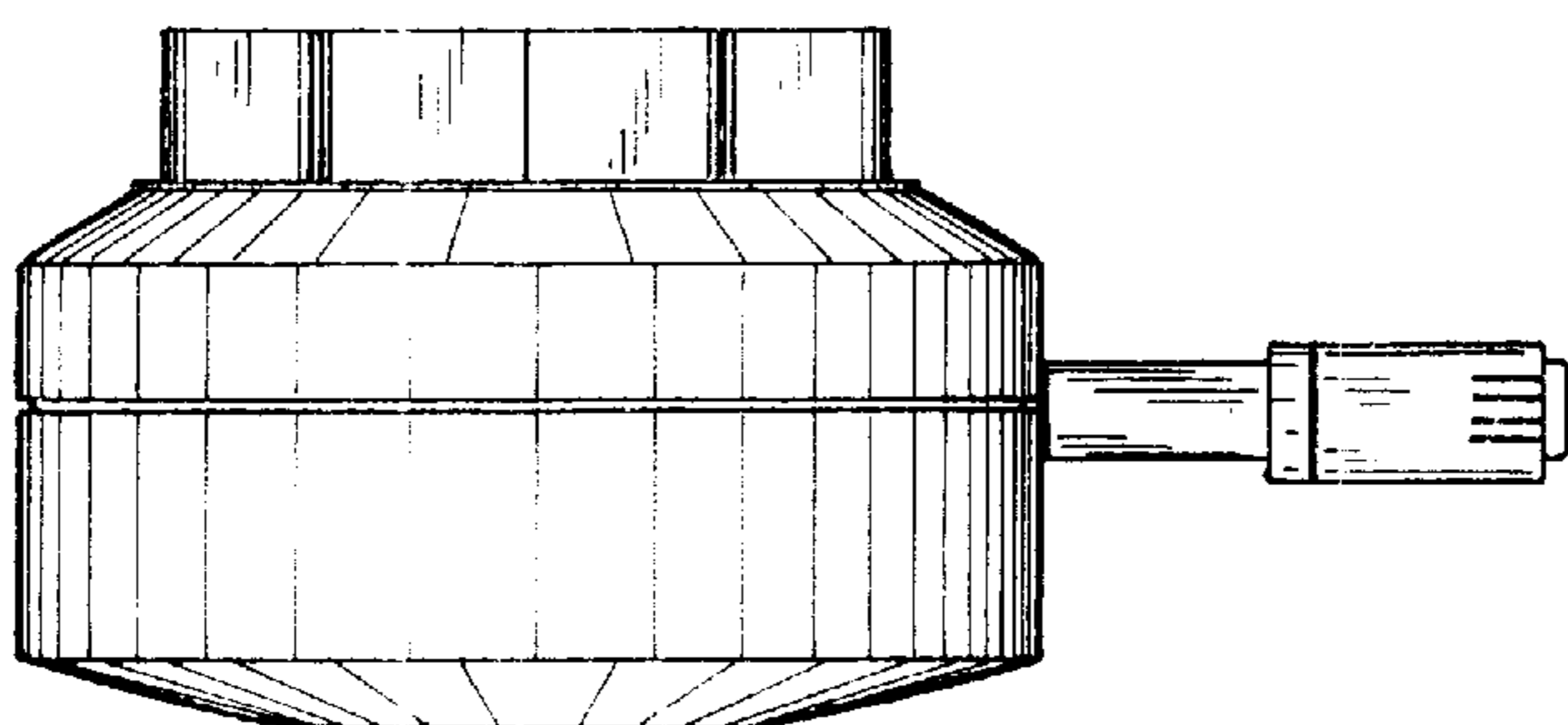


FIG. 4

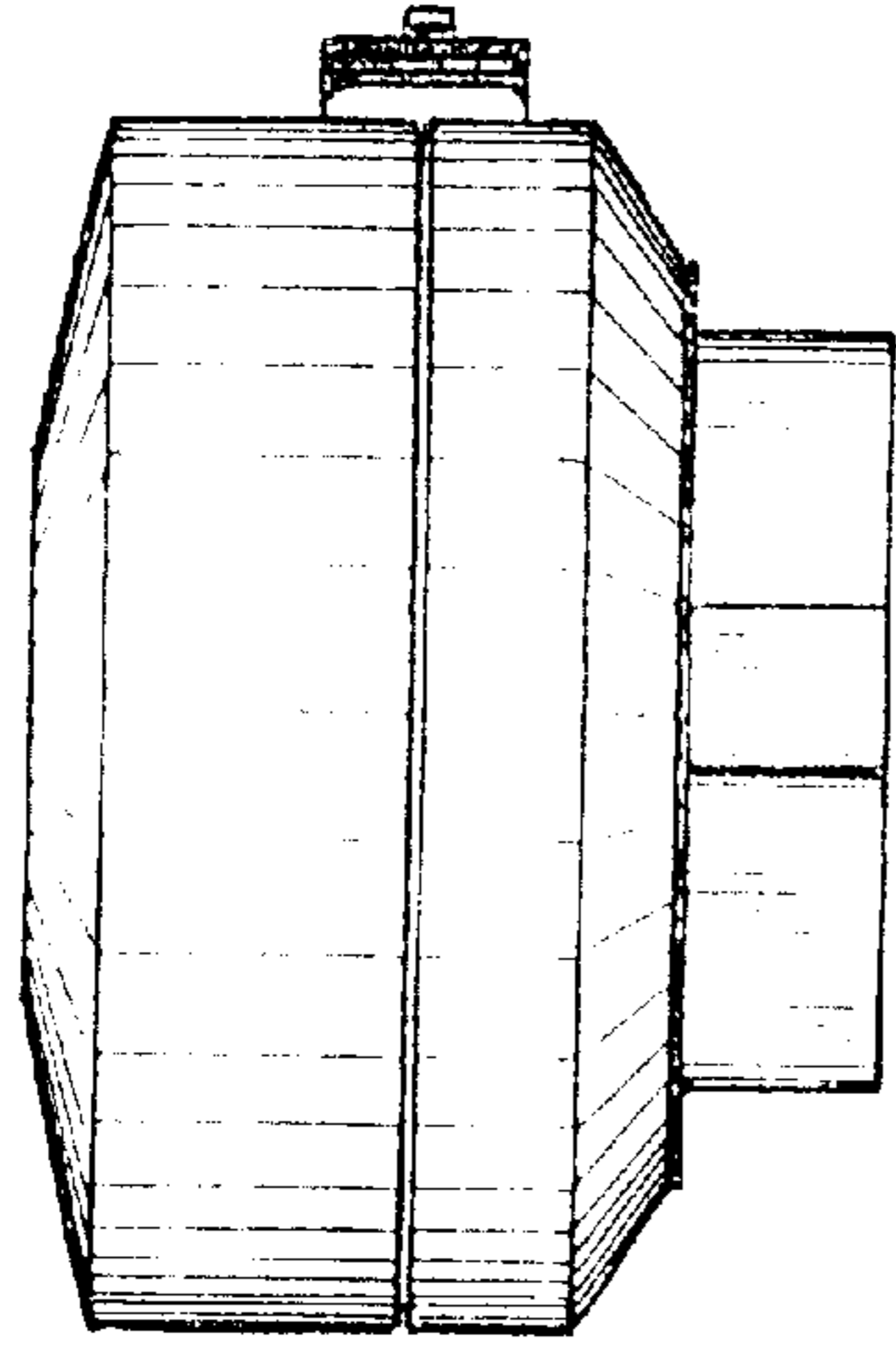


FIG. 5

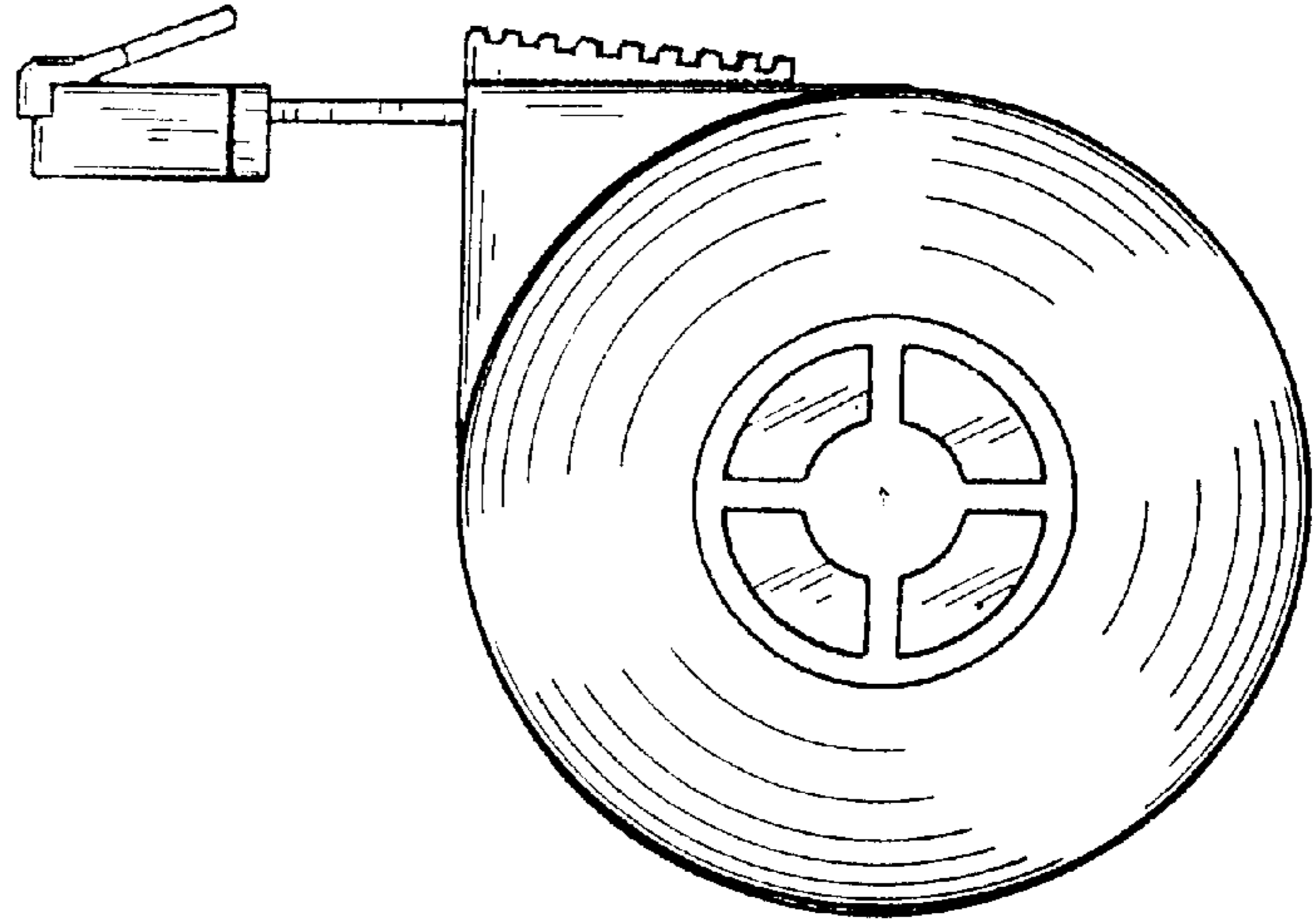


FIG. 6

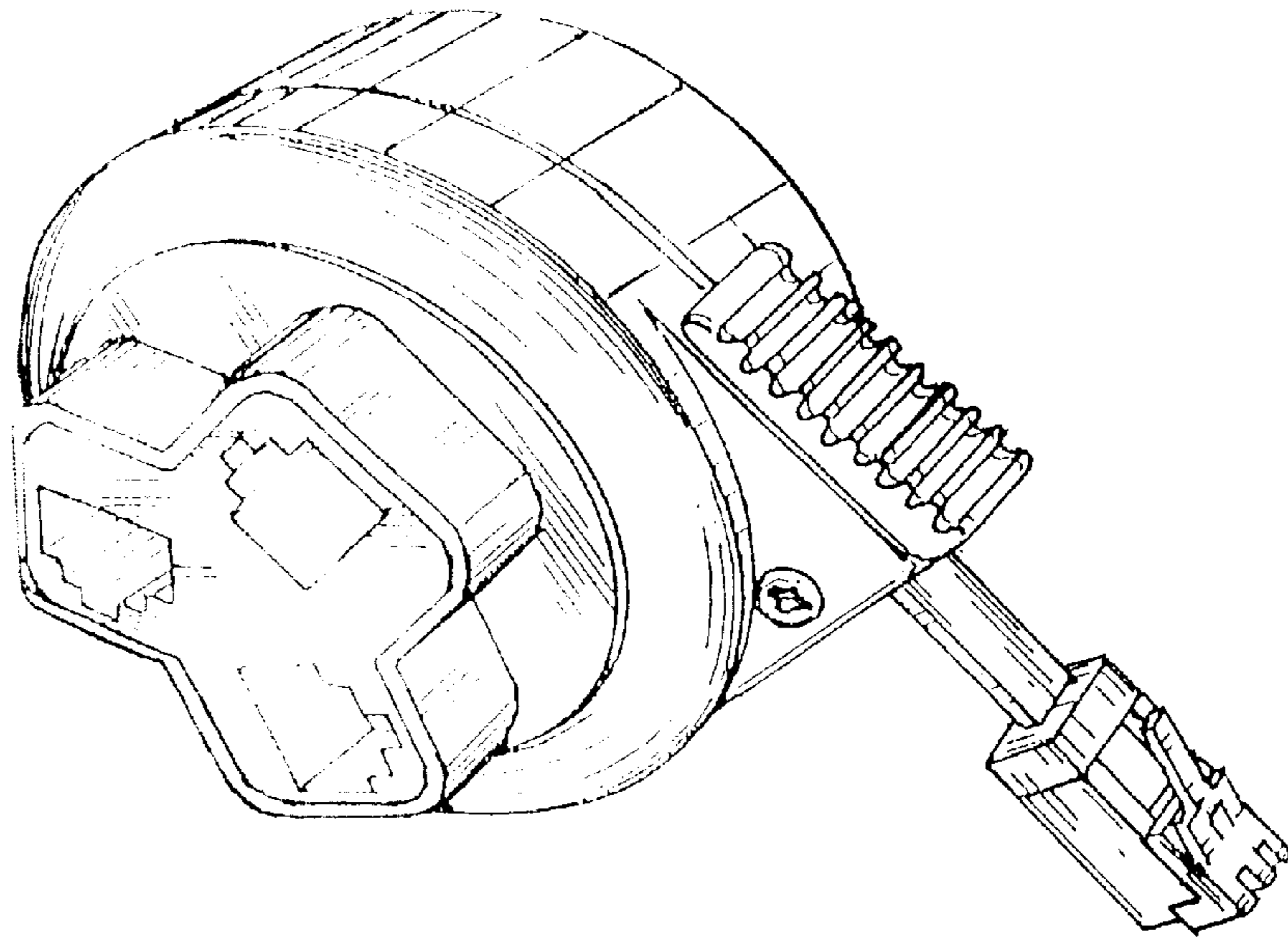


FIG. 7