



US00D457805S

(12) **United States Design Patent**  
**Machijima**

(10) **Patent No.:** **US D457,805 S**

(45) **Date of Patent:** **\*\* May 28, 2002**

(54) **FIXTURE FOR A PROXIMITY SENSOR IN A FLUID PRESSURE CYLINDER**

(75) Inventor: **Mitsuru Machijima**, Ibaraki (JP)

(73) Assignee: **SMC Corporation**, Tokyo (JP)

(\*\*) Term: **14 Years**

(21) Appl. No.: **29/139,776**

(22) Filed: **Apr. 6, 2001**

(30) **Foreign Application Priority Data**

Oct. 6, 2000 (JP) ..... 2000-028328

(51) **LOC (7) Cl.** ..... **08-08**

(52) **U.S. Cl.** ..... **D8/354**

(58) **Field of Search** ..... D8/349, 350, 354, D8/355, 356, 394, 396, 499; 248/200, 205.1, 224.8, 229.25, 229.12, 73, 229.1, 224.51, 224.61, 316.1, 313; 403/362; 24/339; 91/50

(56) **References Cited**

**U.S. PATENT DOCUMENTS**

3,580,137	A	*	5/1971	Brandenberg	.....	91/50
4,316,145	A	*	2/1982	Tann	.....	324/207.26
4,632,352	A	*	12/1986	Stoll	.....	248/313
D403,234	S	*	12/1998	Nagato	.....	D8/354
D404,637	S	*	1/1999	Nagato	.....	D8/354
D404,638	S	*	1/1999	Machijima	.....	D8/354
D407,296	S	*	3/1999	Nagato	.....	D8/354
D427,052	S	*	6/2000	Nagato	.....	D8/396

**OTHER PUBLICATIONS**

U.S. application No. 29/139,775, Machijima, filed Apr. 6, 2001, pending.

\* cited by examiner

*Primary Examiner*—Doris V. Coles

*Assistant Examiner*—Elizabeth A. Albert

(74) *Attorney, Agent, or Firm*—Oblon, Spivak, McClelland, Maier & Neustadt, P.C.

(57) **CLAIM**

The ornamental design for a fixture for a proximity sensor in a fluid pressure cylinder, as shown and described.

**DESCRIPTION**

FIG. 1 is a top, front and left side perspective view of a fixture for a proximity sensor in a fluid pressure cylinder, showing my new design;

FIG. 2 is a front elevational view thereof;

FIG. 3 is a rear elevational view thereof;

FIG. 4 is a top plan view thereof;

FIG. 5 is a bottom plan view thereof;

FIG. 6 is a right side elevational view thereof;

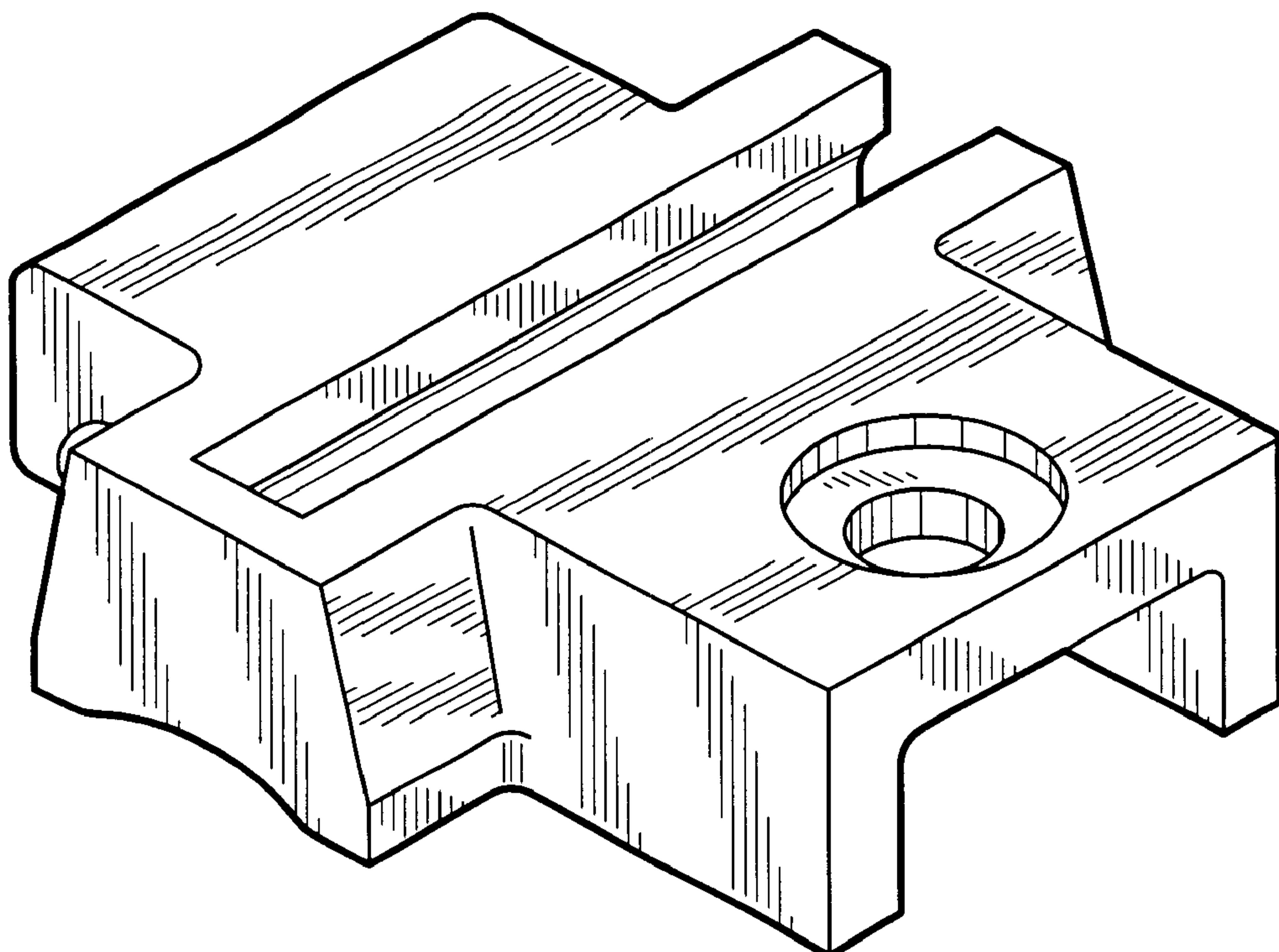
FIG. 7 is a left side elevational view thereof;

FIG. 8 is a cross-sectional view thereof taken along line 8—8 in FIG. 2; and,

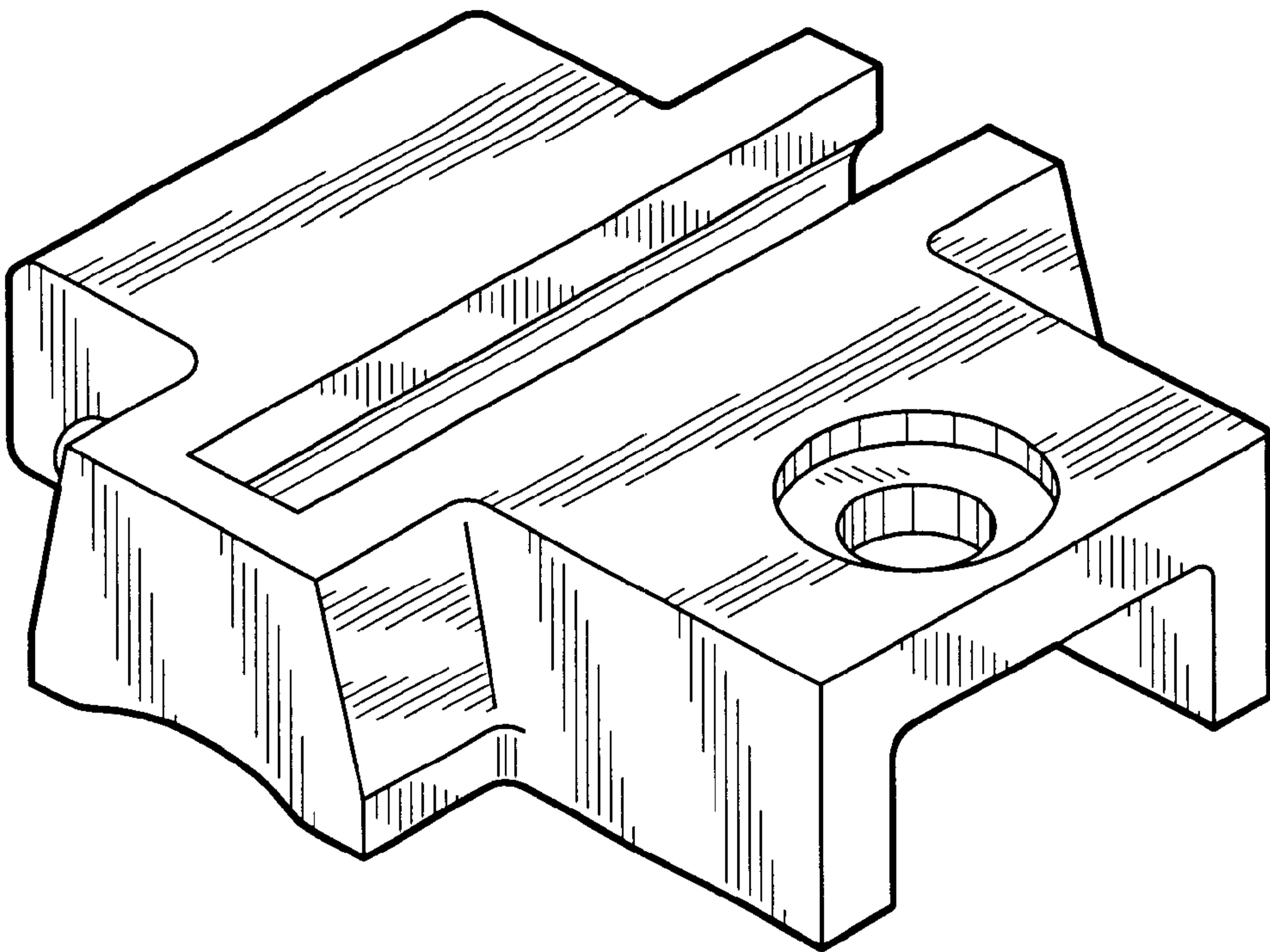
FIG. 9 is a top, front and left side perspective view thereof shown when in use with a cylinder.

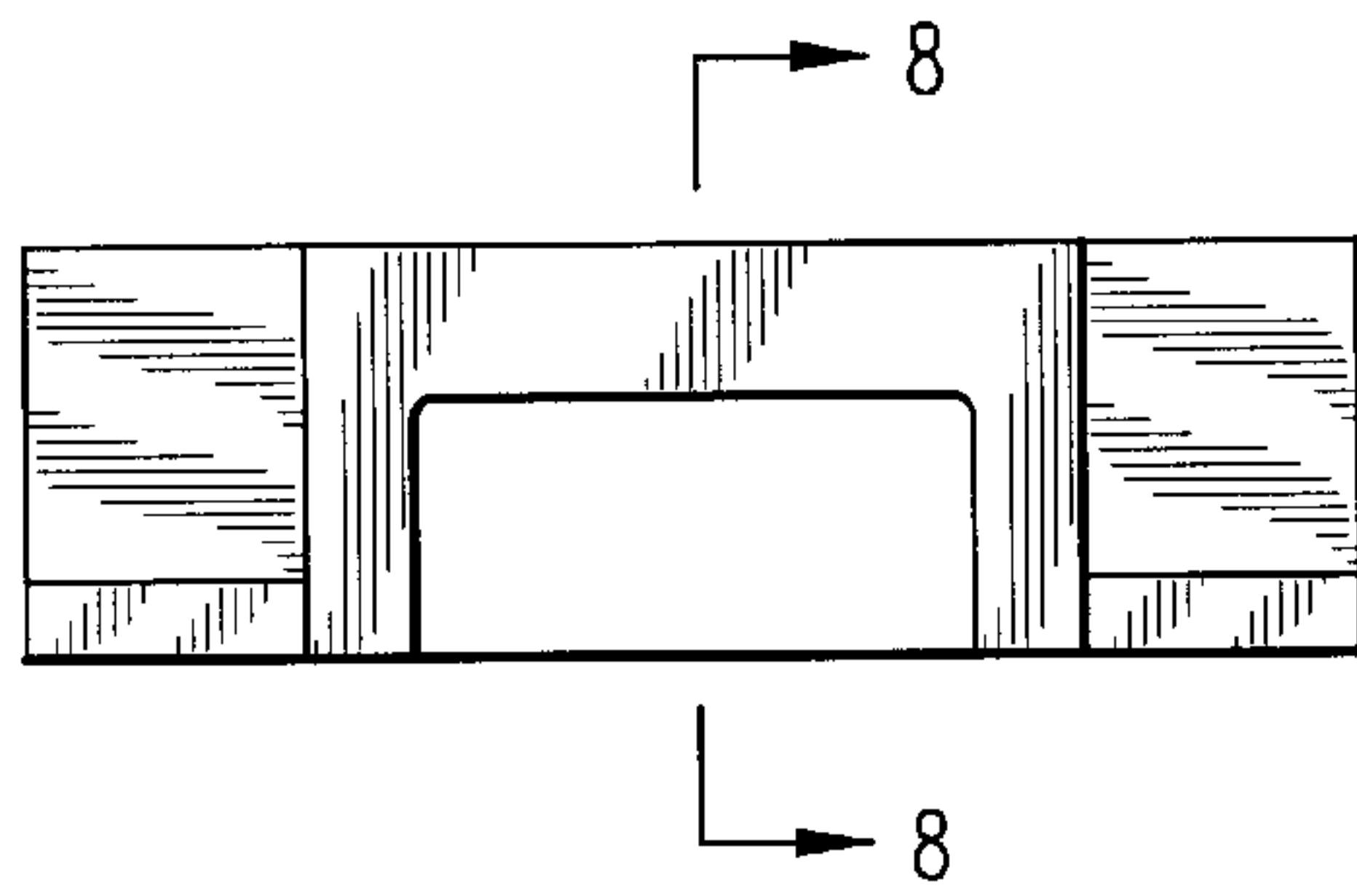
The broken line showing of the cylinder and related structure in FIG. 9 is for illustrative purposes only and forms no part of the claimed design.

**1 Claim, 4 Drawing Sheets**

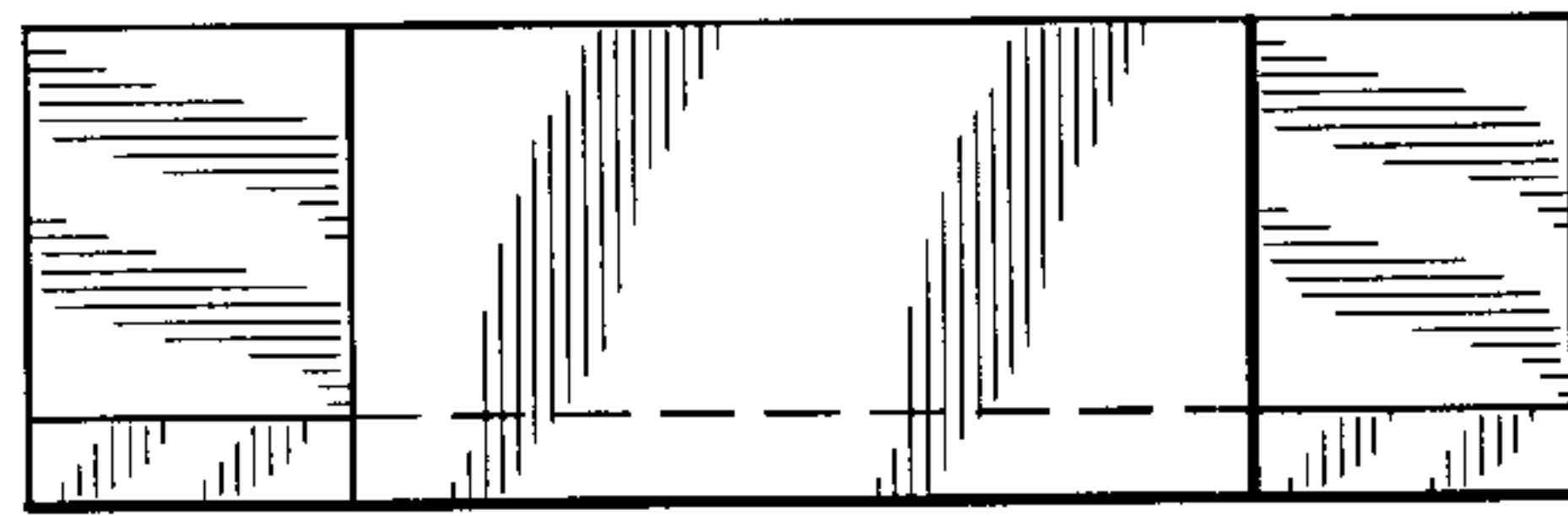


*FIG. 1*

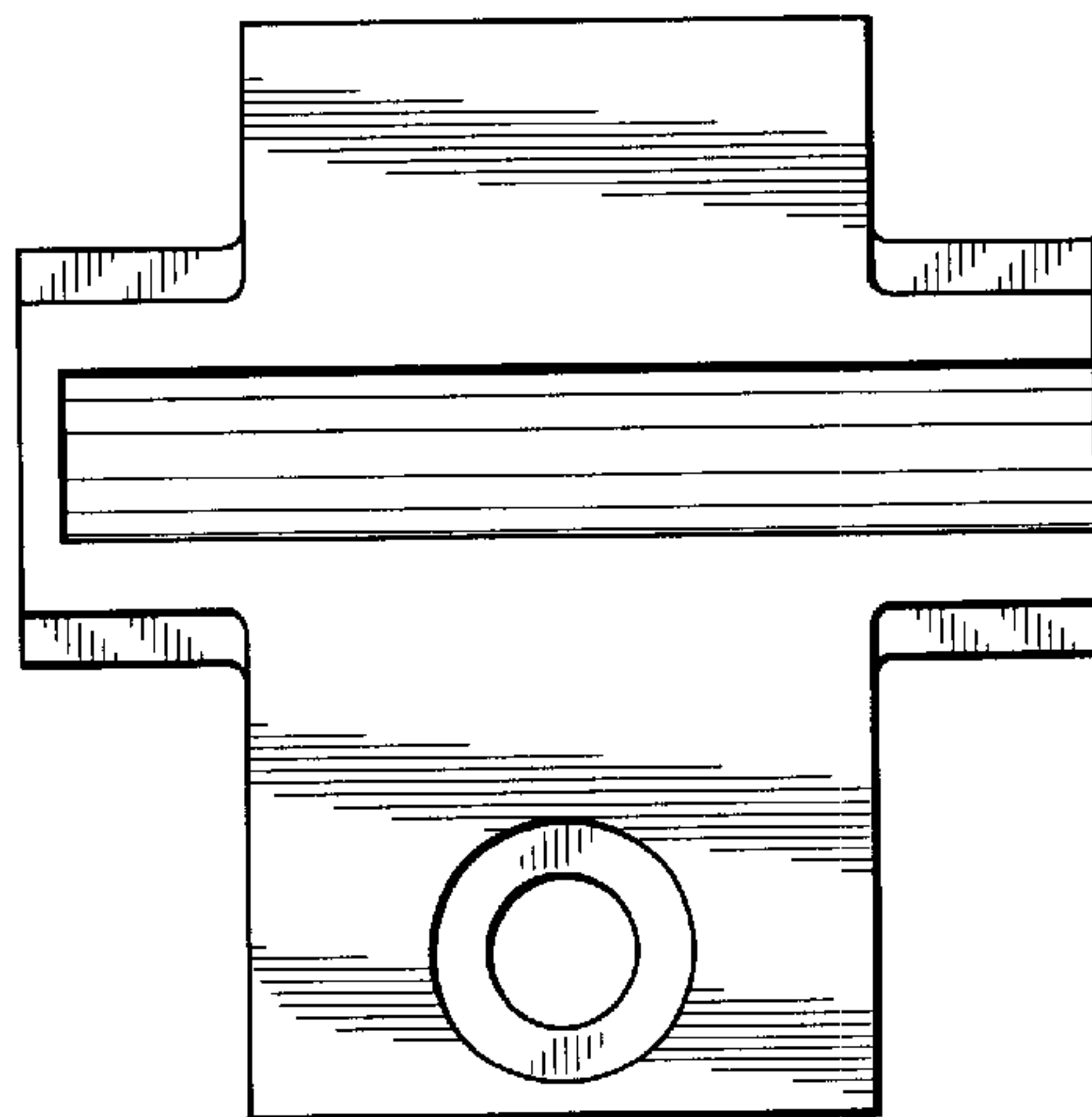




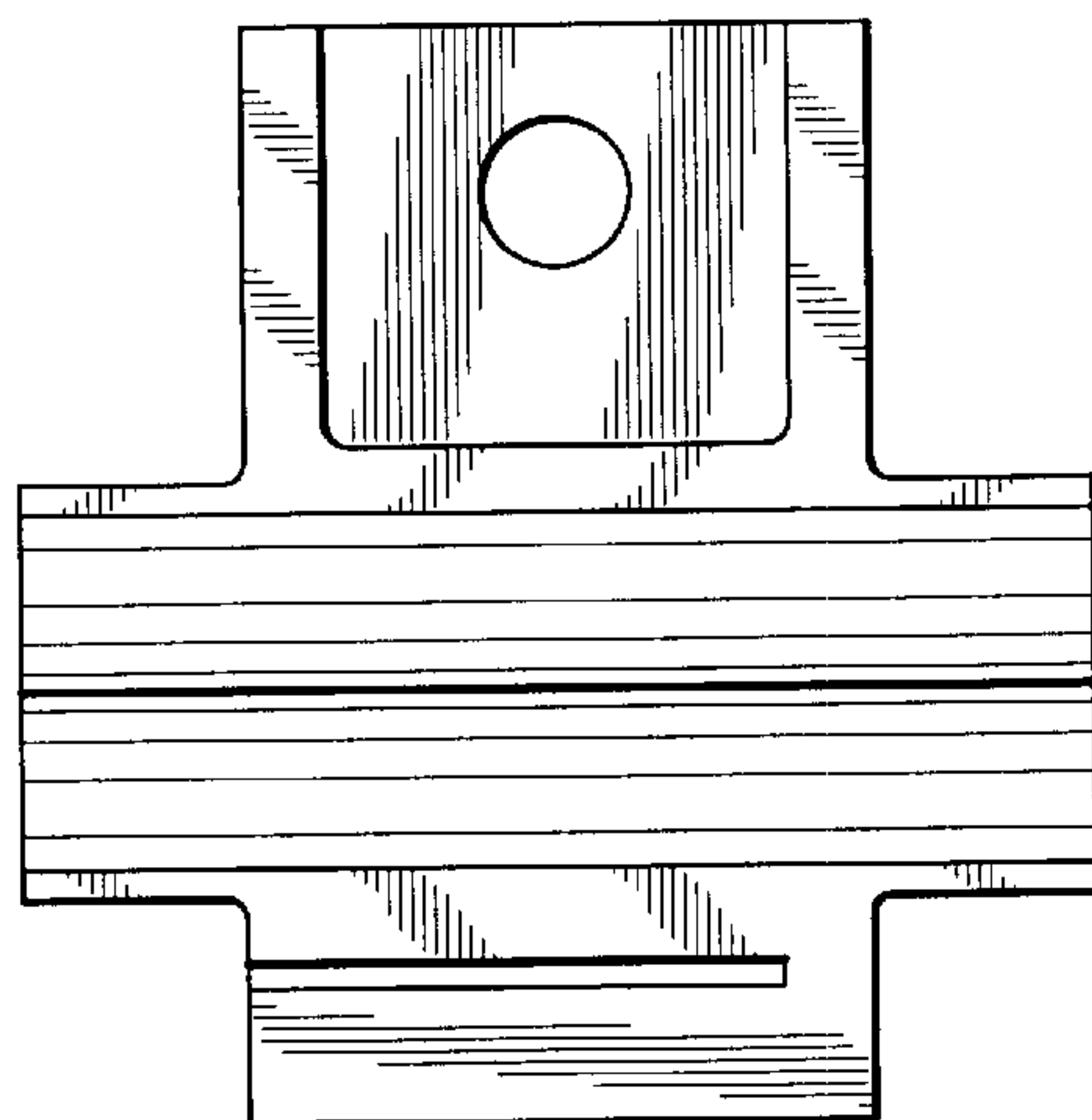
*FIG. 2*



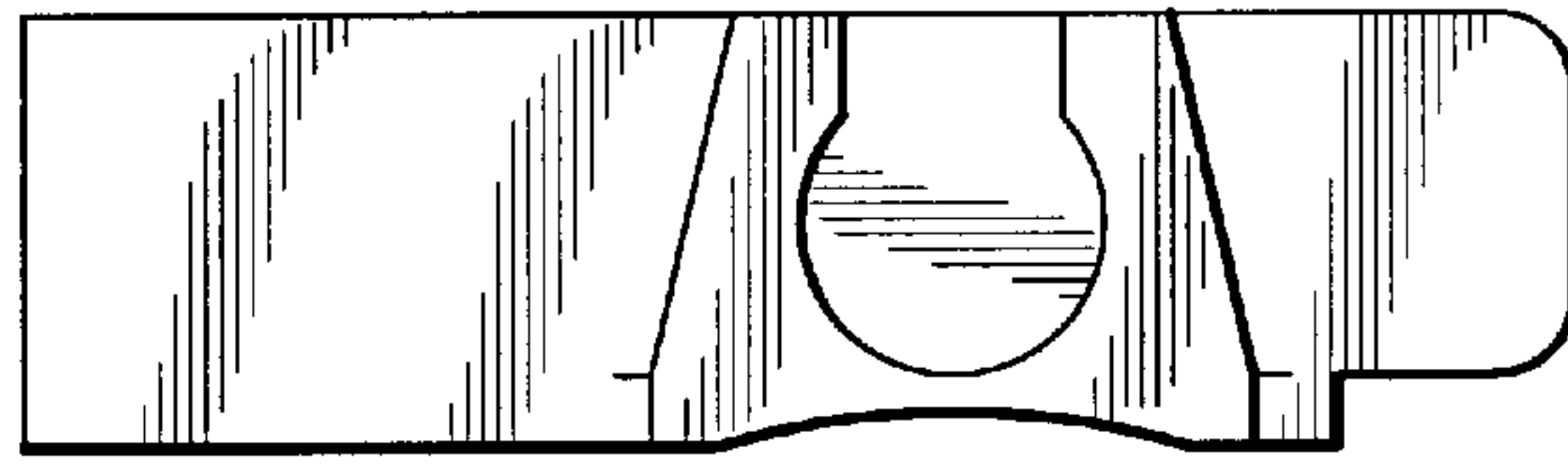
*FIG. 3*



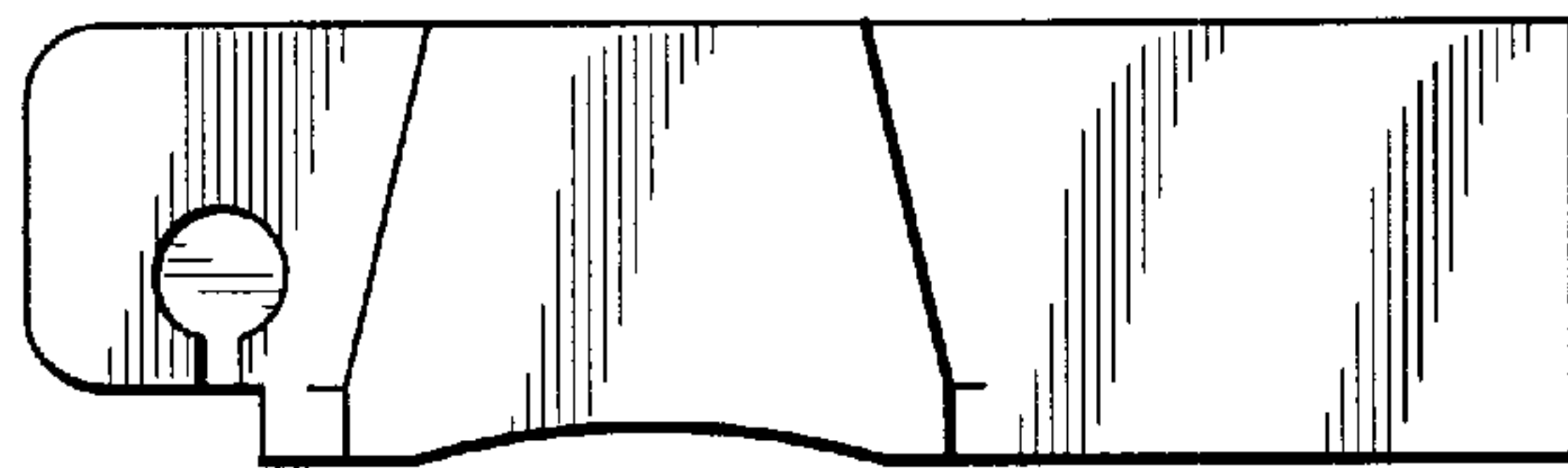
*FIG. 4*



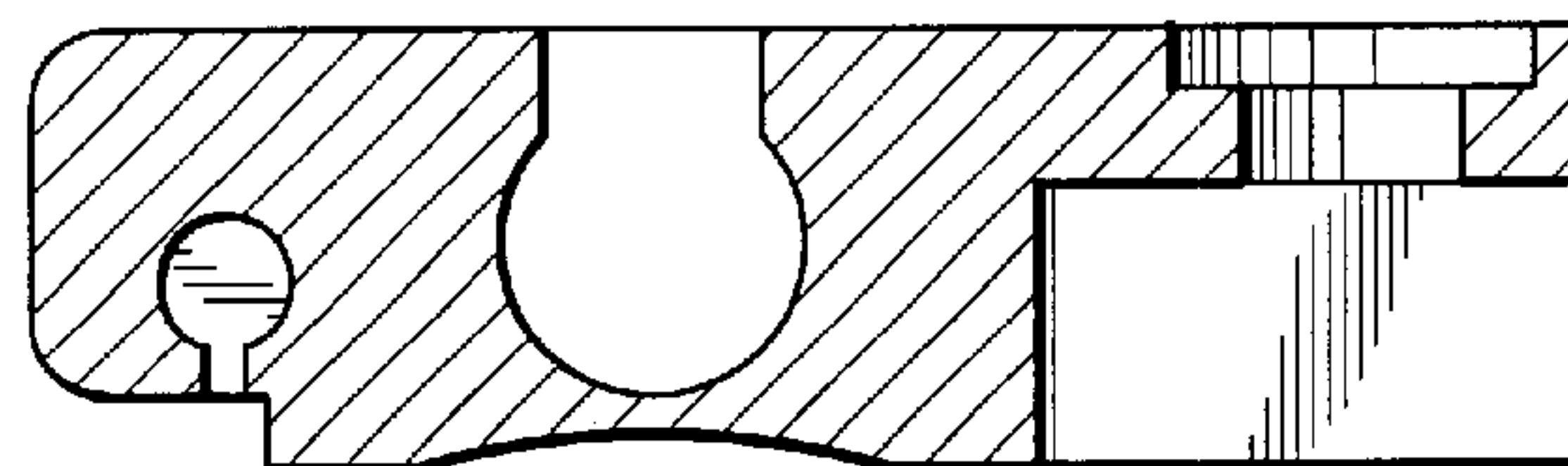
*FIG. 5*



*FIG. 6*



*FIG. 7*



*FIG. 8*

*FIG. 9*

