



US00D457802S

(12) **United States Design Patent**
Meekma et al.

(10) **Patent No.:** **US D457,802 S**

(45) **Date of Patent:** **** May 28, 2002**

(54) **ADJUSTABLE CABLE LOCK**

5,868,012 A * 2/1999 Chu-Te et al. 70/30 X
6,003,348 A 12/1999 McCrea 70/18
D435,428 S * 12/2000 Ling D8/333

(75) Inventors: **Glenn Meekma**, Menomonee Falls;
John B. Zapushek, Racine; **Terrence K. Mahon**, Whitefish Bay, all of WI (US); **Dio Caverro**, Columbus, OH (US)

FOREIGN PATENT DOCUMENTS

(73) Assignee: **Master Lock Company**, Milwaukee, WI (US)

CA 1171294 7/1984
CA 2190575 11/1995
EP 0 893 562 A1 1/1999

(**) Term: **14 Years**

* cited by examiner

(21) Appl. No.: **29/145,970**

Primary Examiner—Brian N. Vinson
(74) *Attorney, Agent, or Firm*—Calfee, Halter & Griswold LLP

(22) Filed: **Aug. 1, 2001**

(57) **CLAIM**

(51) **LOC (7) Cl.** **08-07**

The ornamental design for an adjustable cable lock, as shown and described.

(52) **U.S. Cl.** **D8/333**

(58) **Field of Search** D8/330–335; 70/14, 70/20, 30, 31, 49, 51, 52, 53, 57, 58

DESCRIPTION

(56) **References Cited**

U.S. PATENT DOCUMENTS

1,358,184 A	11/1920	Voight	
1,380,719 A	6/1921	Johnson	
1,384,561 A	7/1921	Hampton	
1,394,259 A	10/1921	Johnson	
1,475,256 A	11/1923	Belair	
1,539,301 A	5/1925	Cooper	
1,566,965 A	12/1925	Johnson	
1,660,040 A	2/1928	Lehtonen	
2,190,661 A	2/1940	Hauer	70/49
3,841,118 A	10/1974	Stone	70/33
3,907,255 A	9/1975	McElroy	254/156
D325,332 S	* 4/1992	Oberhelman et al.	D8/333
5,517,835 A	5/1996	Smith	70/14
5,791,170 A	8/1998	Officer	70/49

This application claims the benefit of U.S. Patent Application No. 29/128,877 filed on Sep. 5, 2000.

FIG. 1 is a perspective view of an adjustable cable lock showing the new design;

FIG. 2 is a front view of the adjustable cable lock of FIG. 1;

FIG. 3 is a back view of the adjustable cable lock of FIG. 1;

FIG. 4 is a top view of the adjustable cable lock of FIG. 1;

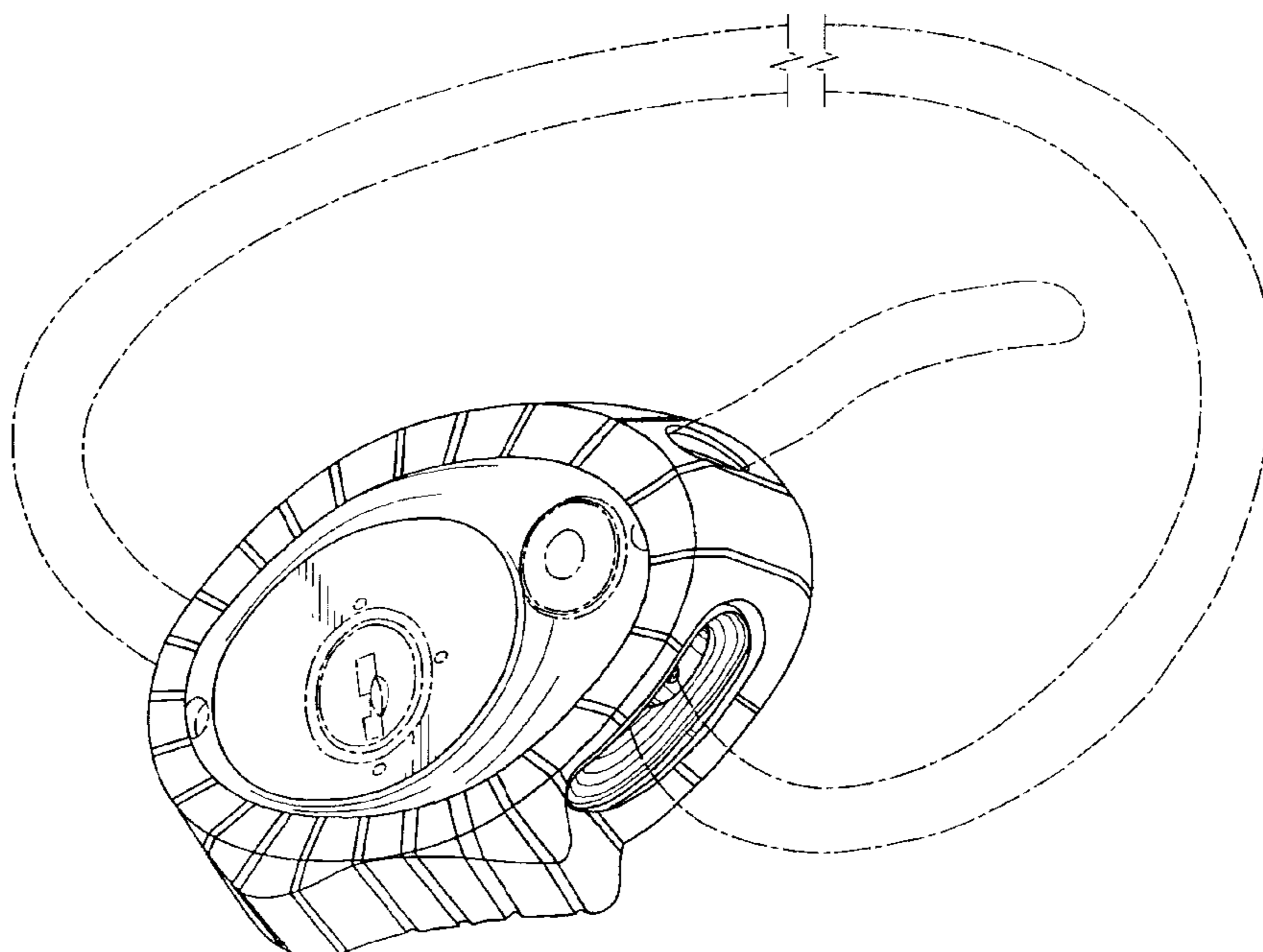
FIG. 5 is a bottom view of the adjustable cable lock of FIG. 1;

FIG. 6 is a right view of the adjustable cable lock of FIG. 1; and,

FIG. 7 is a left view of the adjustable cable lock shown in FIG. 1.

The portions of the Figures shown in phantom lines are not part of the claimed design but are for illustration only.

1 Claim, 4 Drawing Sheets



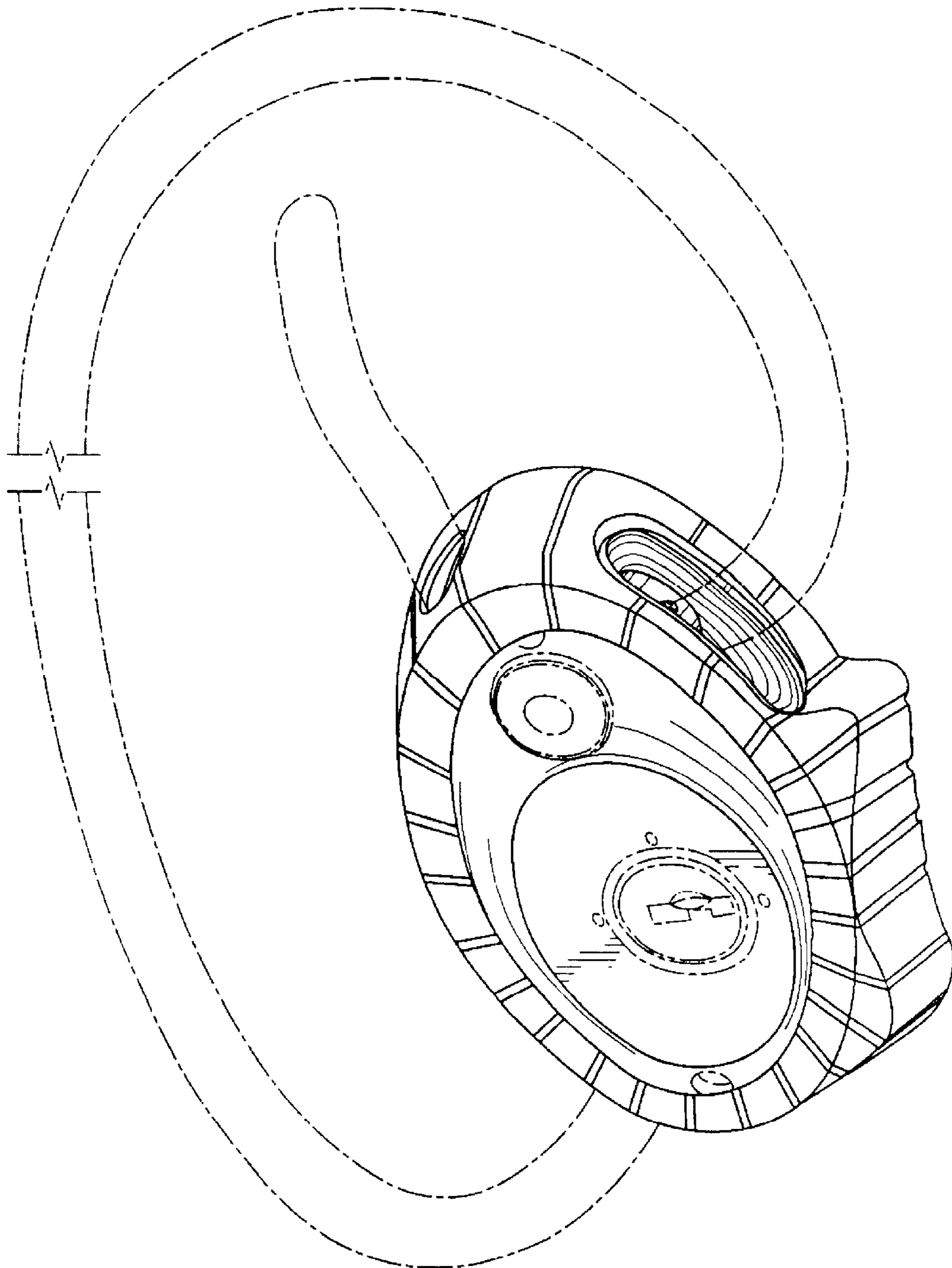


FIG. 1

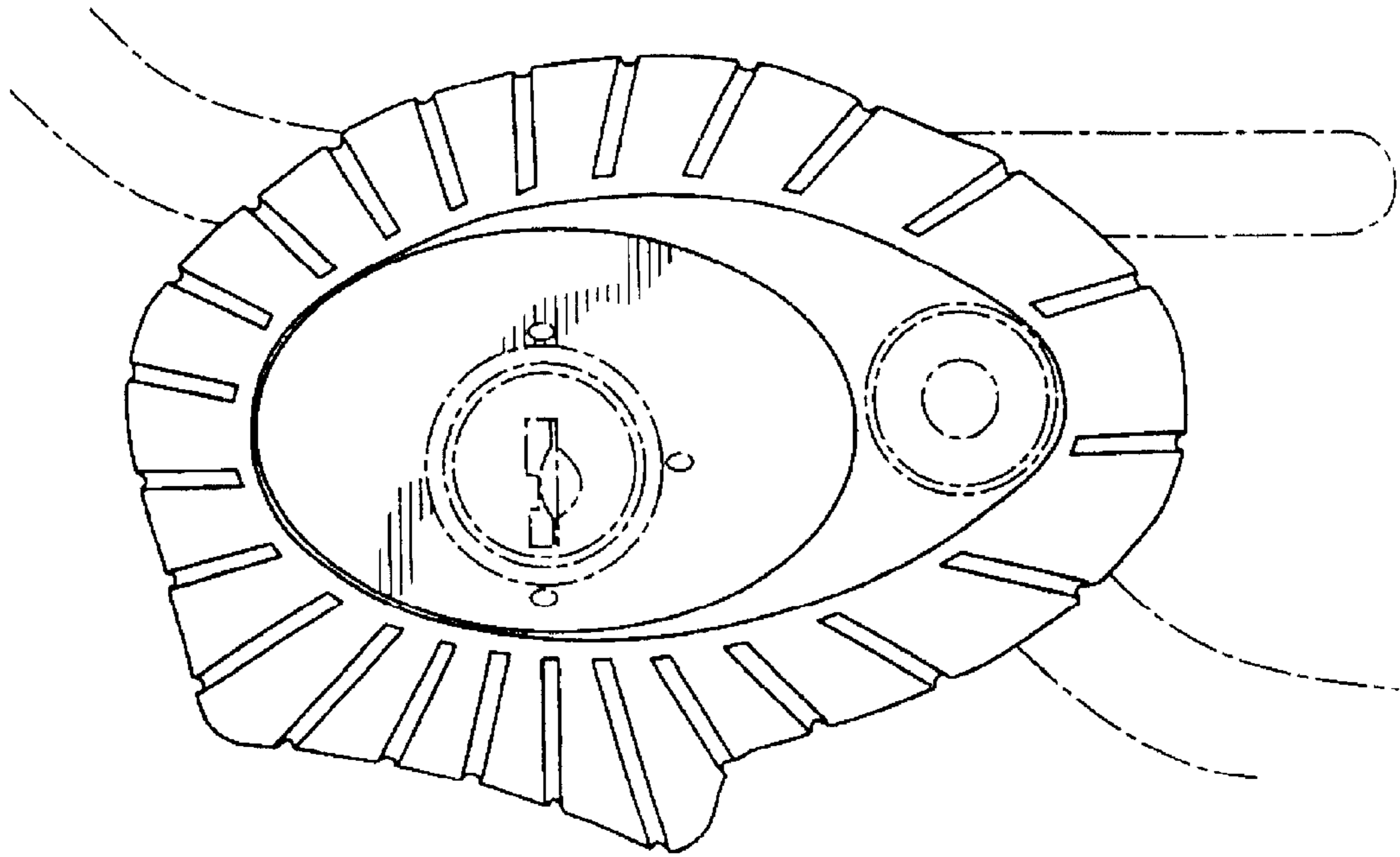


FIG. 2

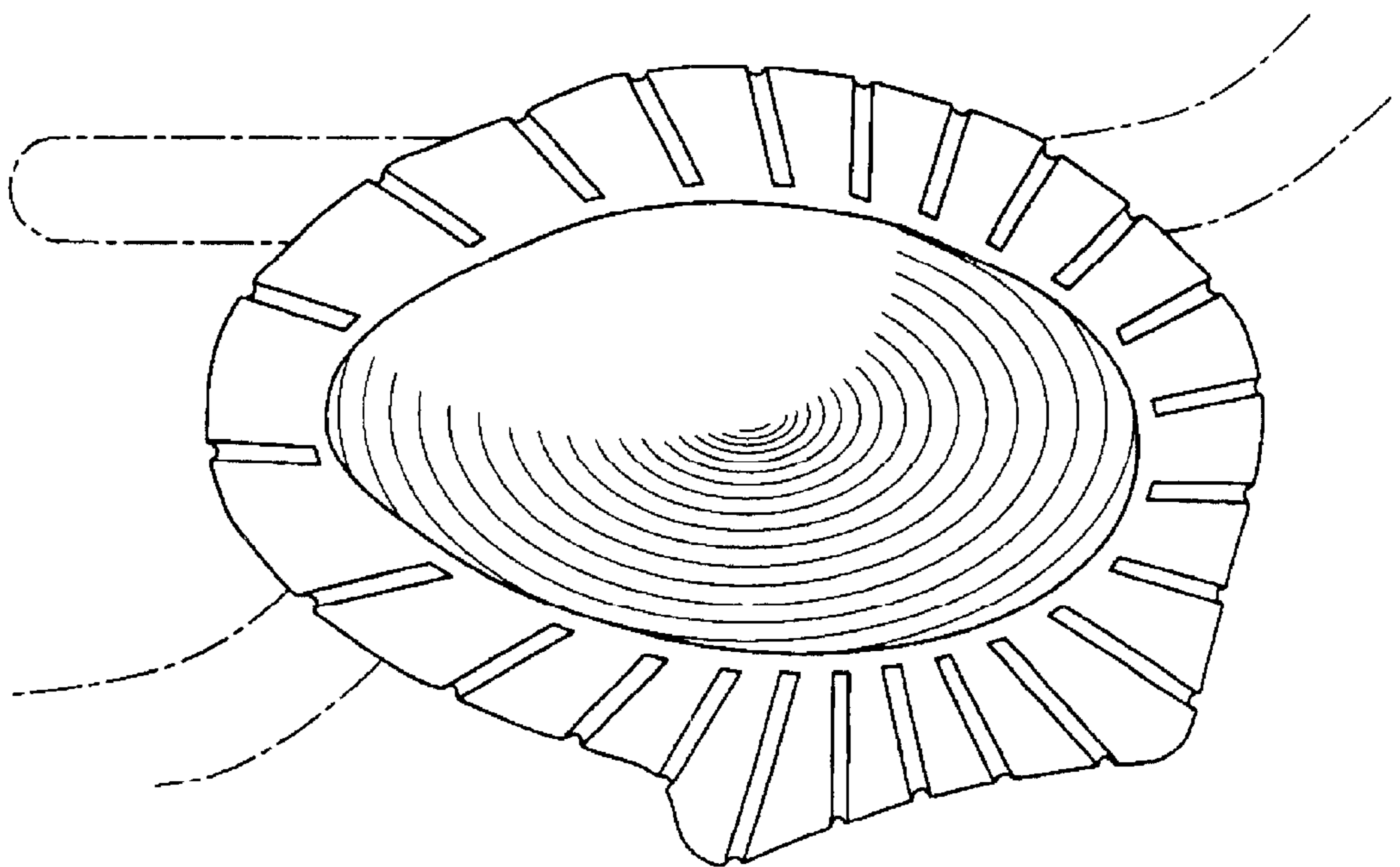


FIG. 3

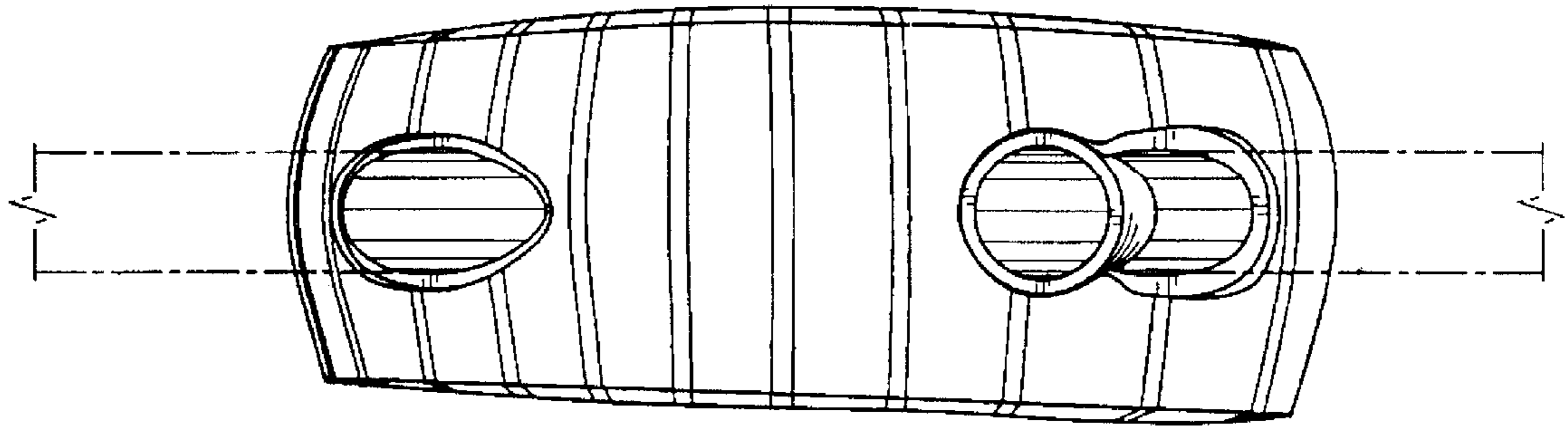


FIG. 4

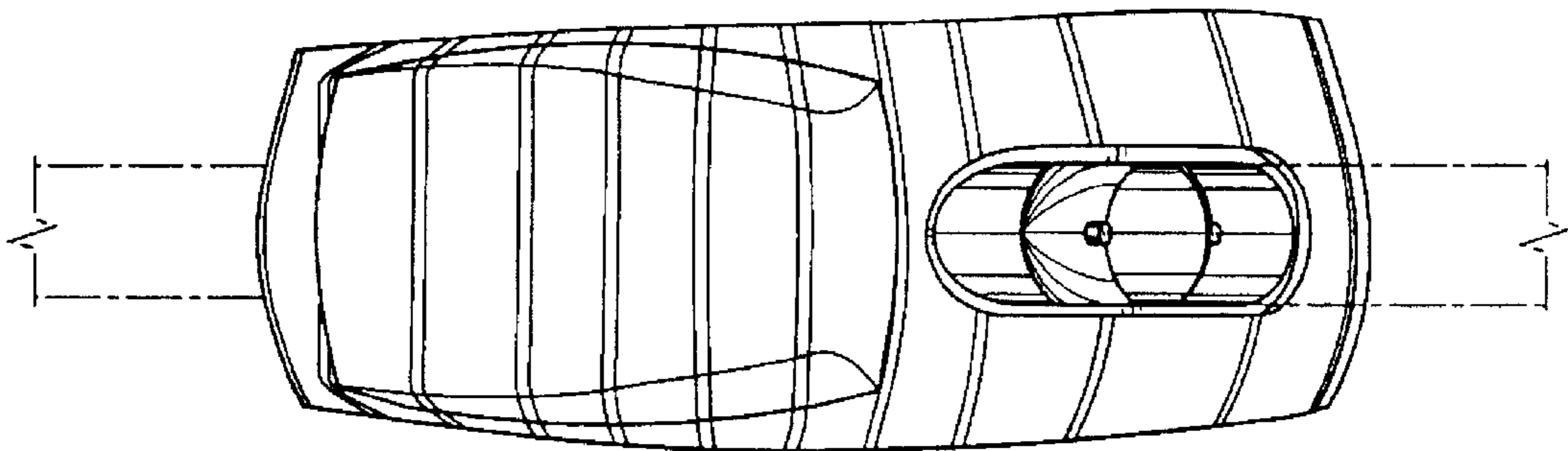


FIG. 5

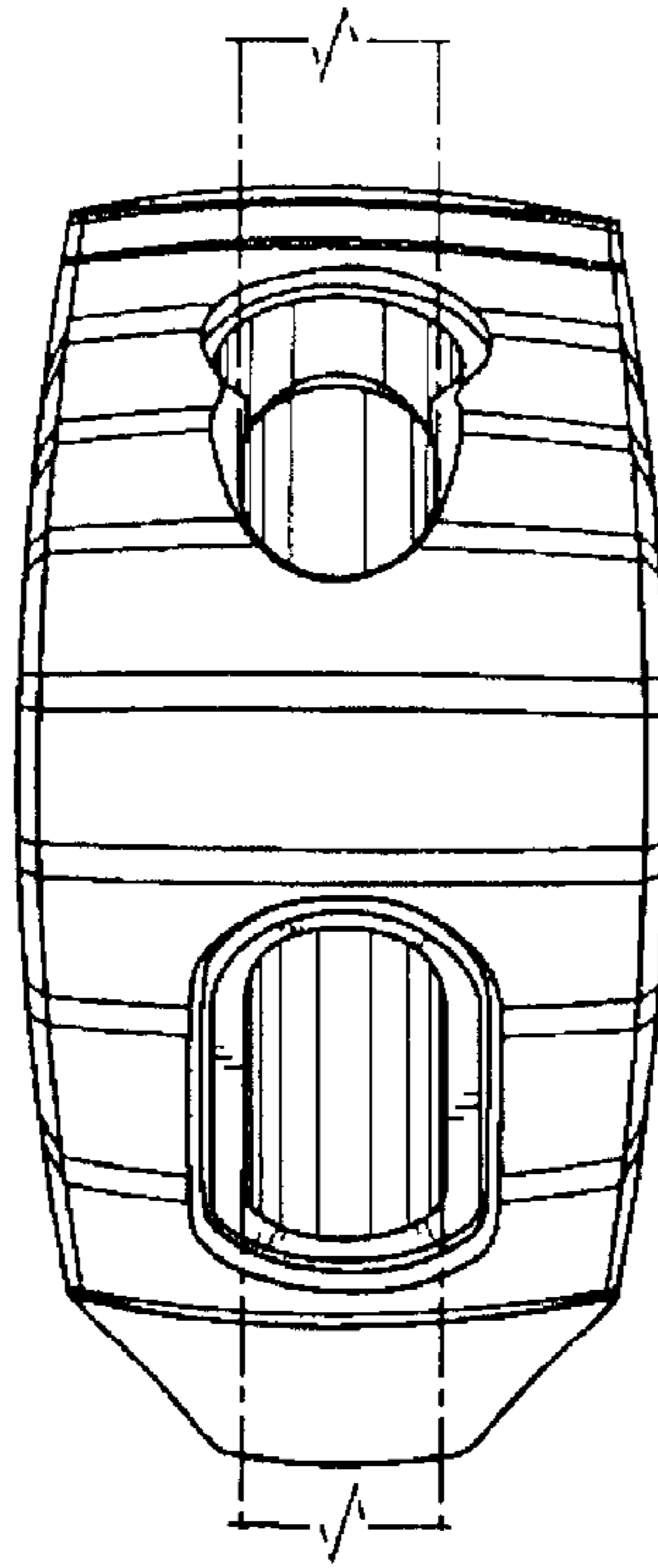


FIG. 6

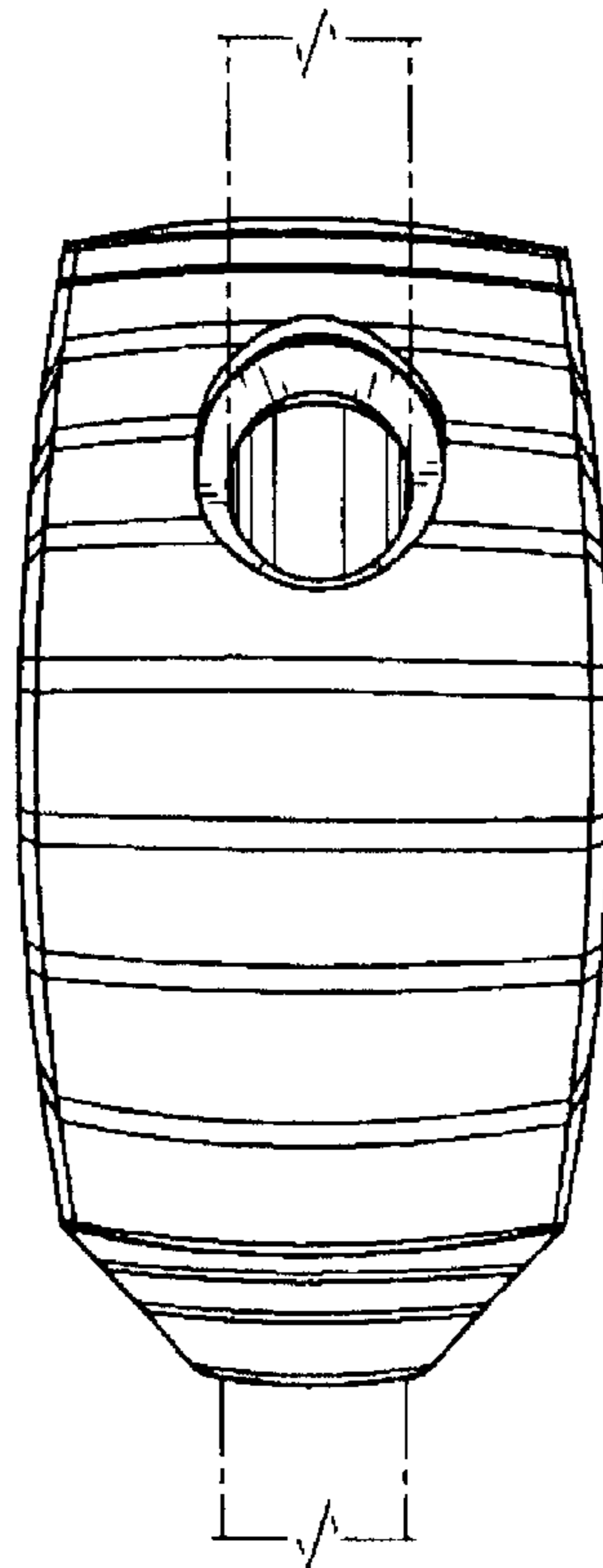


FIG. 7