



US00D457801S

(12) **United States Design Patent**  
**Zamberg**

(10) **Patent No.:** **US D457,801 S**

(45) **Date of Patent:** **\*\* May 28, 2002**

(54) **SURFACE MOUNT LATCH**

(76) **Inventor:** **Paul Zamberg**, 18208 Santa Arabella St., Fountain Valley, CA (US) 92708

(\*\*) **Term:** **14 Years**

(21) **Appl. No.:** **29/140,312**

(22) **Filed:** **Apr. 16, 2001**

(51) **LOC (7) Cl.** ..... **08-07**

(52) **U.S. Cl.** ..... **D8/331**

(58) **Field of Search** ..... D8/330, 331, 339,  
D8/341, 342, 343, 344; 292/57, 58, 70,  
74, 95, 109-114

(56) **References Cited**

**U.S. PATENT DOCUMENTS**

4,522,436 A \* 6/1985 Hoen et al. .... 292/113  
4,758,031 A \* 7/1988 Wolf ..... 292/111

D312,201 S \* 11/1990 Gates ..... D8/336  
5,511,834 A 4/1996 Willems ..... 292/203  
D374,163 S \* 10/1996 Wahlen ..... D8/331

\* cited by examiner

*Primary Examiner*—Brian N. Vinson

(74) *Attorney, Agent, or Firm*—Stetina Brunda Garred & Brucker

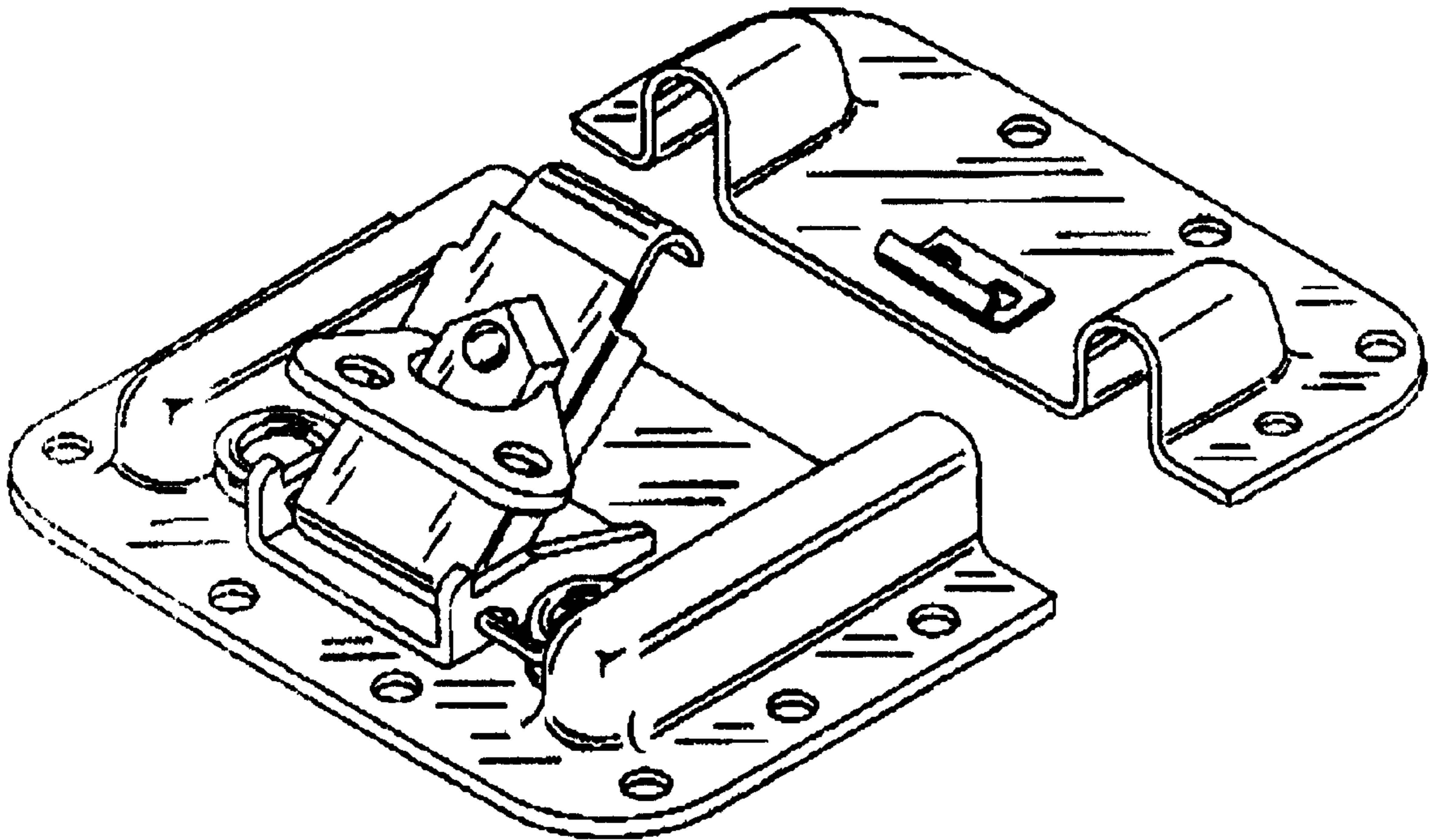
(57) **CLAIM**

The ornamental design for a surface mount latch, as shown and described.

**DESCRIPTION**

FIG. 1 is a perspective view showing a latch in an elevated position; and, FIG. 2 is a sectional view showing a latch in an lower position.

**1 Claim, 1 Drawing Sheet**



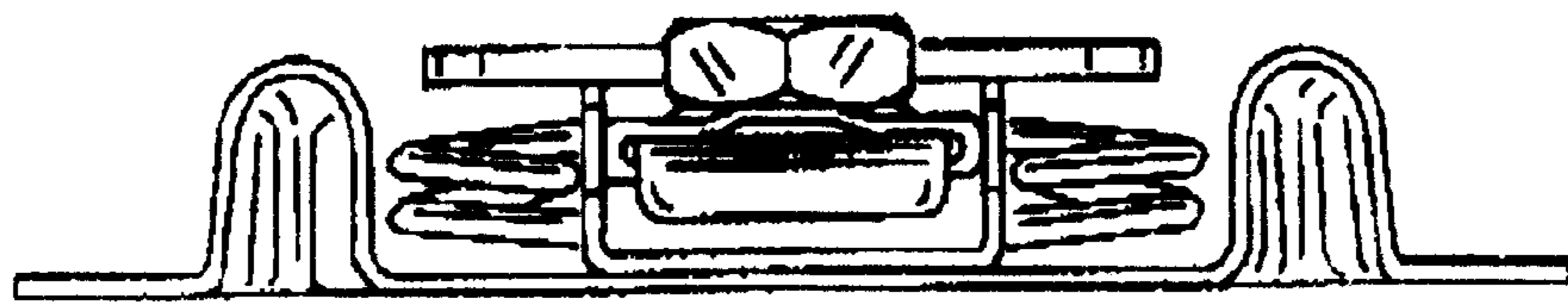
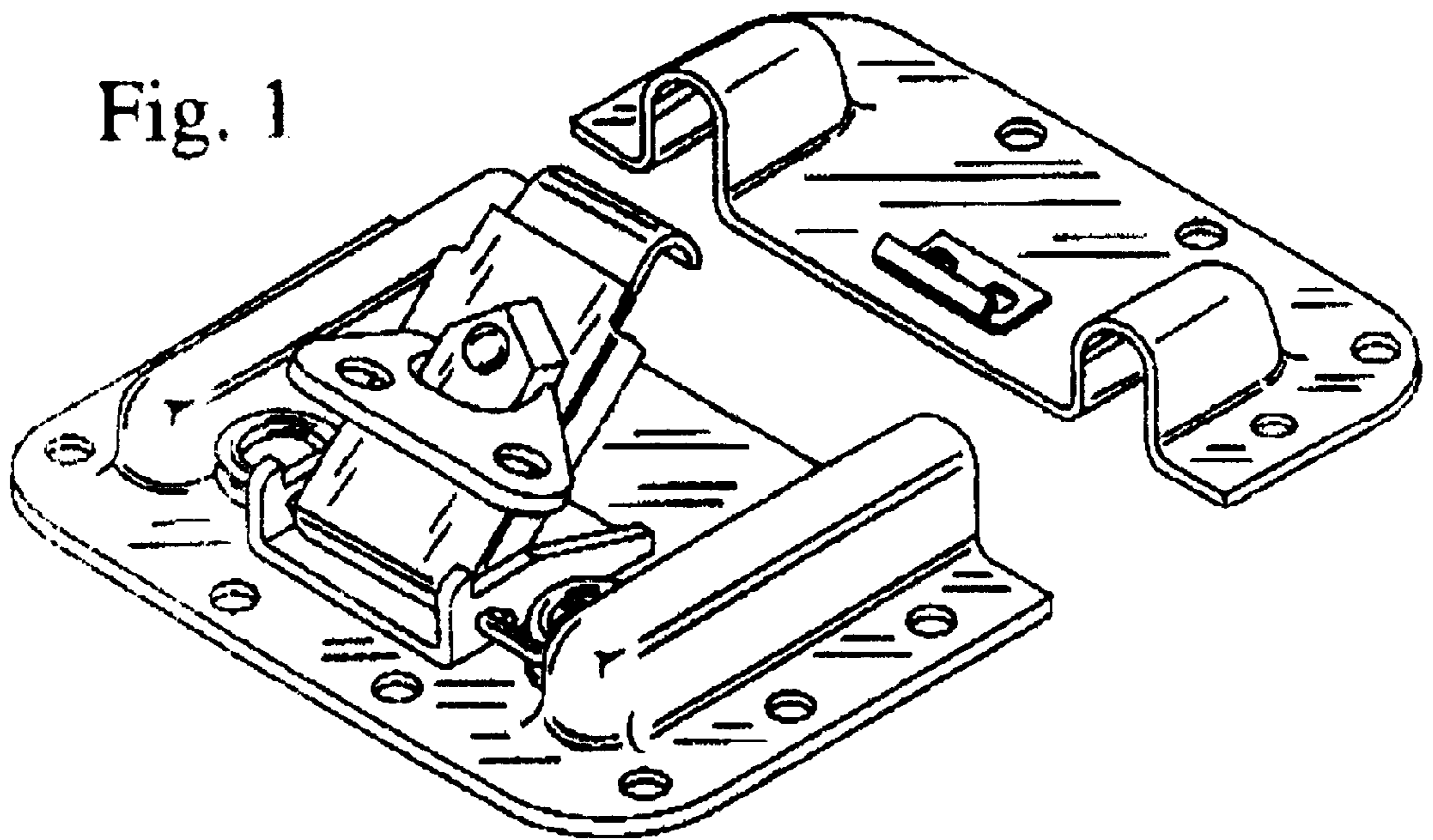


Fig. 2