



US00D457800S

(12) **United States Design Patent**  
**Petri**

(10) **Patent No.:** **US D457,800 S**

(45) **Date of Patent:** **\*\* May 28, 2002**

(54) **DRAWER PULL**

(75) Inventor: **Manfred Petri**, Marietta, GA (US)

(73) Assignee: **Tella Systems (1998), Inc.**, LaSalle (CA)

(\*\*) Term: **14 Years**

(21) Appl. No.: **29/125,999**

(22) Filed: **Jul. 7, 2000**

(30) **Foreign Application Priority Data**

Feb. 15, 2000 (CA) ..... 2000-0460

(51) **LOC (7) Cl.** ..... **08-06**

(52) **U.S. Cl.** ..... **D8/313**

(58) **Field of Search** ..... D8/313, 314; D6/510;  
16/110.1, 415, 416, 443; 312/348.6

(56) **References Cited**

**U.S. PATENT DOCUMENTS**

- 2,842,420 A \* 7/1958 Hansen et al.
- 3,107,389 A \* 10/1963 Engelbrecht
- D203,385 S \* 1/1966 Hinrichs
- D278,664 S \* 5/1985 Ferdinand
- 5,466,062 A \* 11/1995 McPherson et al.
- D388,986 S \* 1/1998 Dittberner et al.
- D398,795 S \* 9/1998 Zapf
- D402,143 S \* 12/1998 Zapf
- D417,571 S \* 12/1999 Teufel et al.

\* cited by examiner

*Primary Examiner*—B. J. Bullock

(74) *Attorney, Agent, or Firm*—Finnegan, Henderson, Farabow, Garrett and Dunner LLP

(57) **CLAIM**

The ornamental design for a drawer pull, as shown and described.

**DESCRIPTION**

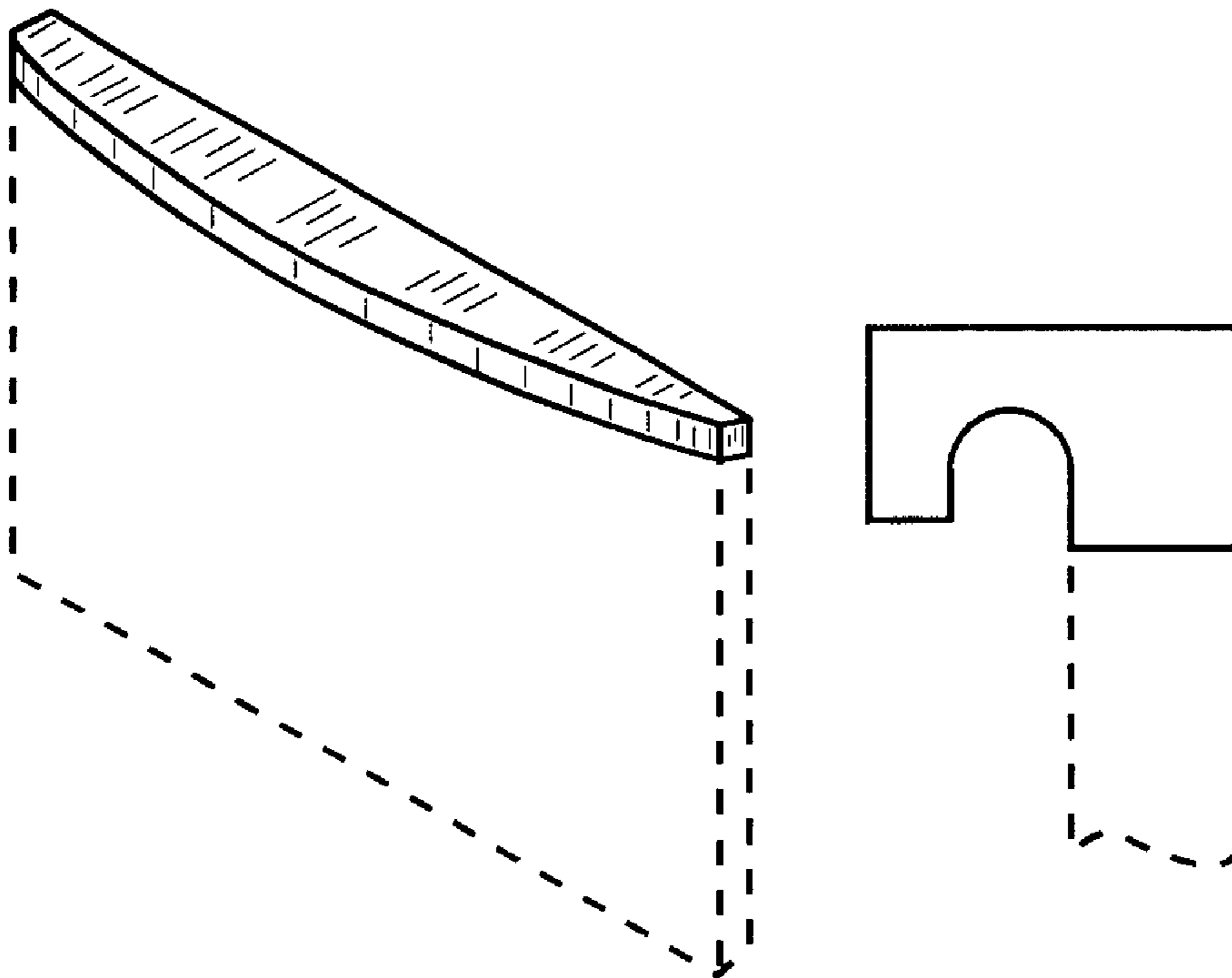
FIG. 1 is an isometric view of the drawer pull of the present invention, the broken line showing of a drawer is for illustrative purposes only and forms no part of the claimed design.

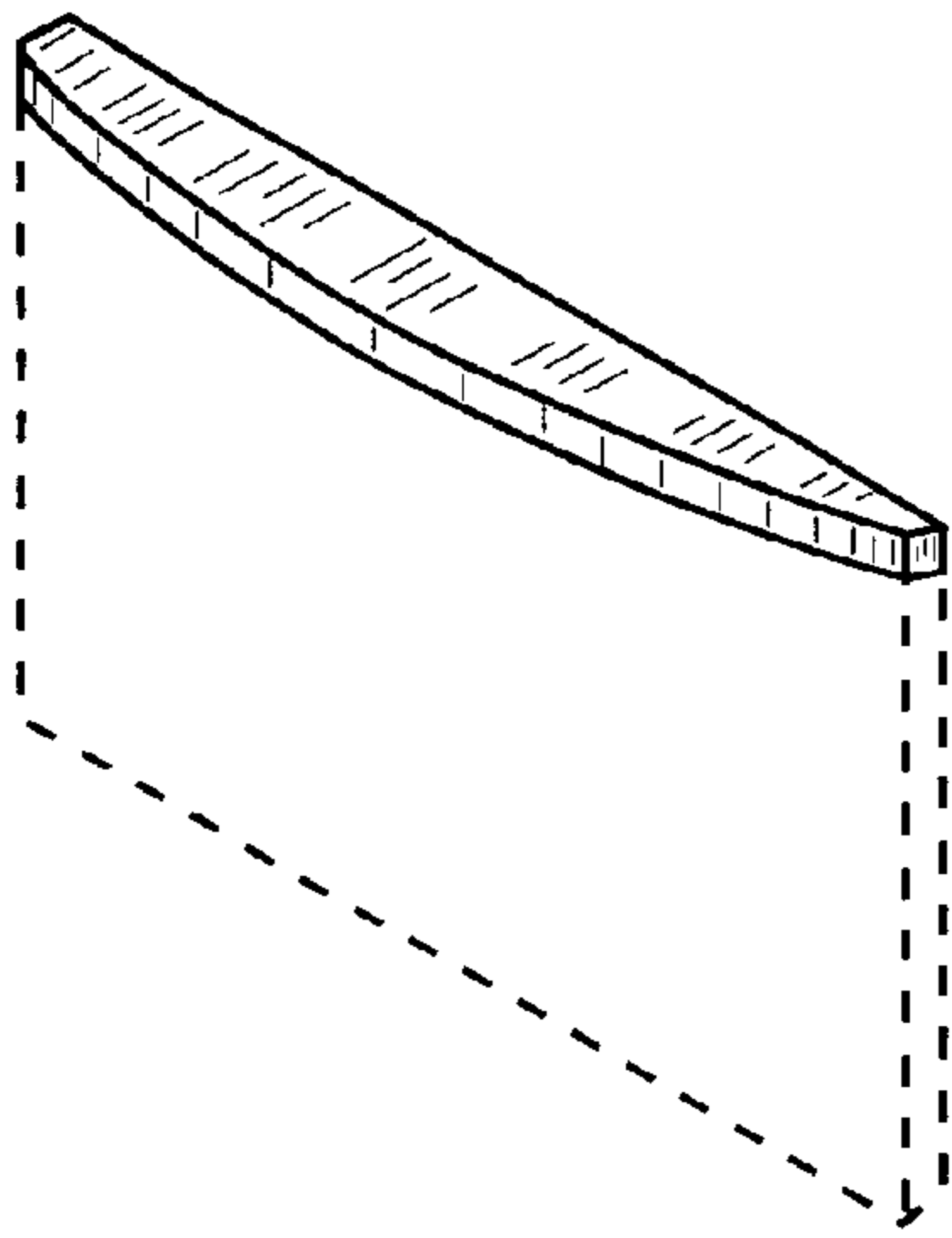
FIG. 2 is a front view of the drawer pull of the present invention, the broken line showing of a drawer is for illustrative purposes only and forms no part of the claimed design.

FIG. 3 is a vertical section view of the drawer pull shown in FIG. 2, the broken line showing of a drawer is for illustrative purposes only and forms no part of the claimed design; and, FIG. 4 is an enlarged view of the top of the vertical section view of the drawer pull shown in FIG. 3, the broken line showing of a drawer is for illustrative purposes only and forms no part of the claimed design.

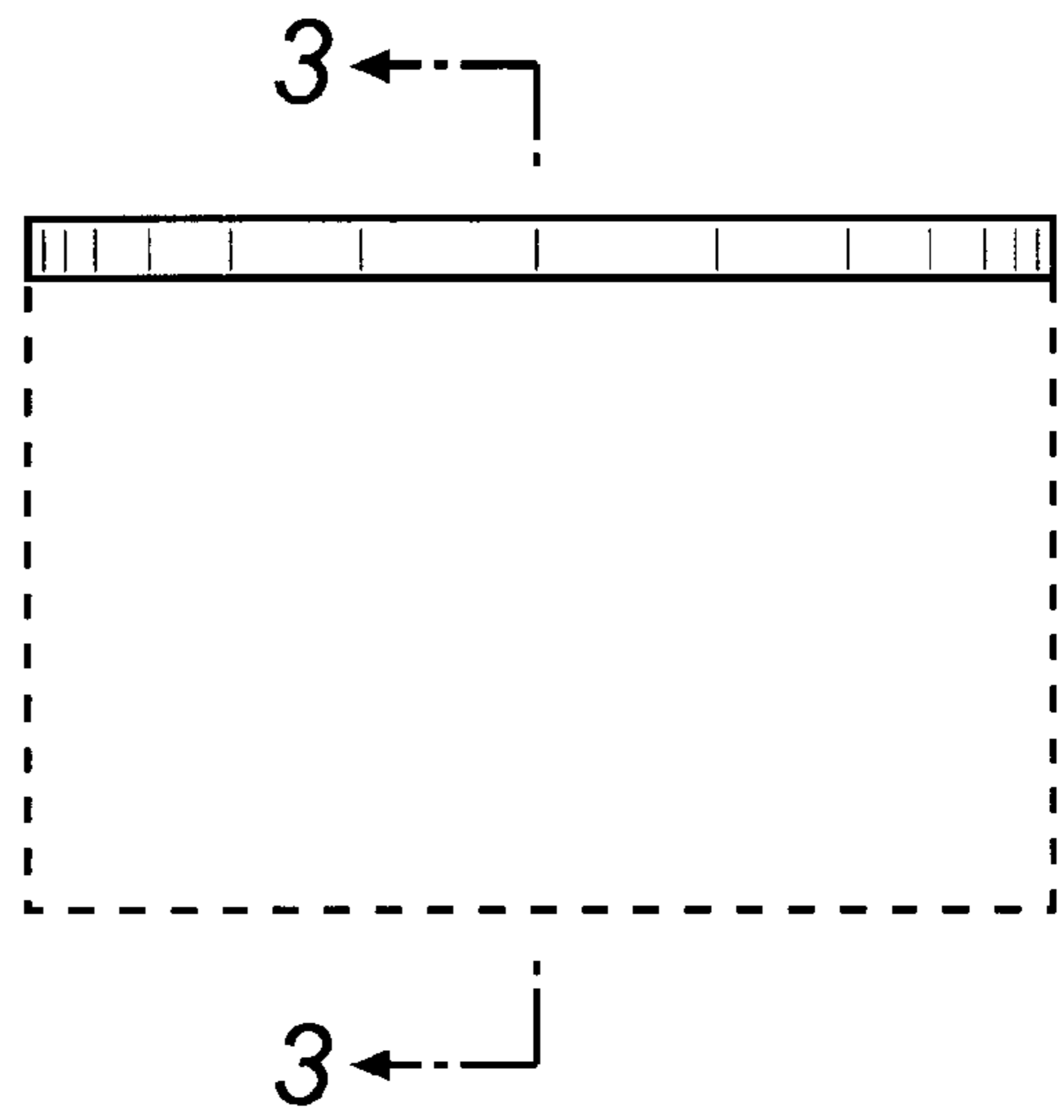
The top, back and sides of the drawer pull are flat surfaces. The front of the drawer pull has a convex surface and there is an indentation on the underside of the drawer pull.

**1 Claim, 1 Drawing Sheet**

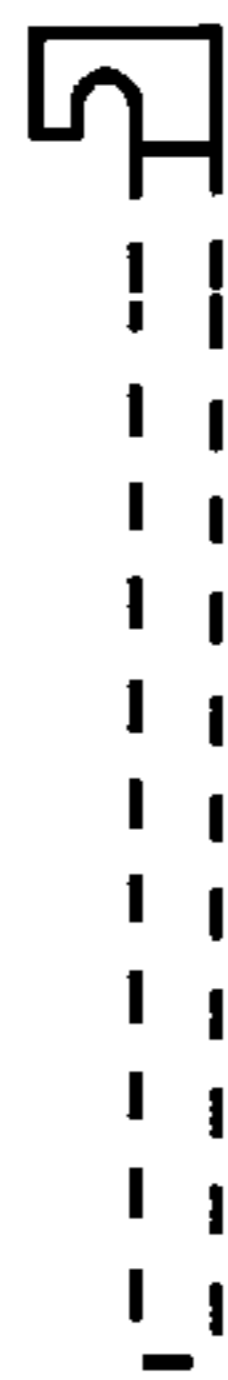




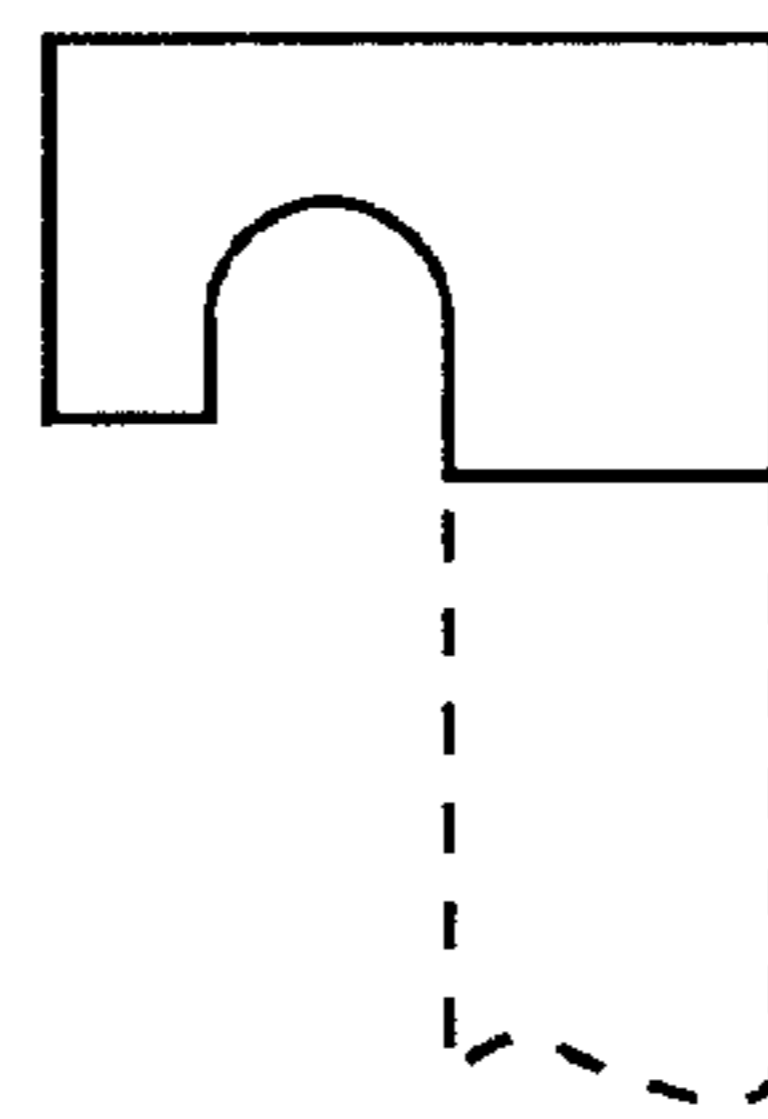
**FIG. 1**



**FIG. 2**



**FIG. 3**



**FIG. 4**