



US00D457799S

(12) **United States Design Patent** (10) **Patent No.:** **US D457,799 S**
Weinerman et al. (45) **Date of Patent:** **** May 28, 2002**

(54) **COMBINED HOUSING AND T-HANDLE FOR LATCHES AND LOCKS**

(75) Inventors: **Lee S. Weinerman**, Medina; **Scott A. Arthurs**, Brunswick, both of OH (US)

(73) Assignee: **The Eastern Company**, Cleveland, OH (US)

(**) Term: **14 Years**

(21) Appl. No.: **29/130,905**

(22) Filed: **Oct. 11, 2000**

(51) **LOC (7) Cl.** **08-06**

(52) **U.S. Cl.** **D8/301; D8/306; D8/307; D8/353**

(58) **Field of Search** **D8/301, 306, 338, D8/341, 350, 353, 307, 302; D12/196; 70/208, 135; 292/336.3, DIG. 31; 16/412**

(56) **References Cited**

U.S. PATENT DOCUMENTS

D119,418 S	3/1940	Anderson et al.	
2,735,706 A	2/1956	Pelcin	292/34
3,209,564 A	10/1965	Pelcin	70/148
D210,152 S	2/1968	Pastva	
D210,153 S	2/1968	Pastva	
D230,132 S	1/1974	Pastva	D8/6
4,116,027 A	9/1978	Tannery	70/472
4,131,002 A	12/1978	Gianelo	70/84
4,312,203 A	1/1982	Davis	70/472
4,320,642 A	3/1982	Pastva, Jr.	70/472
4,370,874 A	2/1983	Munn	70/204
4,420,954 A	12/1983	Hieronymi et al.	70/150
4,438,964 A	3/1984	Peters	292/216
4,634,161 A	1/1987	Fukasawa et al.	292/336.3
4,706,478 A	11/1987	Swan et al.	70/208
4,707,006 A	11/1987	Garg et al.	292/336.3
4,838,054 A	6/1989	Weinerman et al.	70/208
4,838,056 A	6/1989	Weinerman et al.	70/208
4,841,755 A	6/1989	Weinerman et al.	70/208
4,850,208 A	7/1989	Weinerman et al.	70/208

(List continued on next page.)

Primary Examiner—B. J. Bullock
(74) *Attorney, Agent, or Firm*—David A. Burge

(57) **CLAIM**

We claim the ornamental design for a combined housing and T-handle for latches and locks, as shown and described.

DESCRIPTION

Reference is made to the following concurrently filed design application of Lee S. Weinerman and Scott A. Arthurs wherein an identical housing is disclosed, namely Ser. No. 29/130,903.

Reference also is made to the following concurrently filed design applications of Lee S. Weinerman and Scott A. Arthurs wherein housings having similarities to the housing of the present invention are disclosed, namely Ser. No. 29/130,902, Ser. No. 29/130,904, and Ser. No. 29/130,906.

FIG. 1 is a perspective view of a first embodiment of our new design;

FIG. 2 is a perspective view showing rear portions thereof;

FIG. 3 is a front side elevational view thereof;

FIG. 4 is a rear side elevational view thereof;

FIG. 5 is a bottom view thereof, it being understood that a top view would be a mirror image reversal of this view;

FIG. 6 is a left end view thereof;

FIG. 7 is a right end view thereof;

FIG. 8 is a perspective view similar to FIG. 1 showing the handle extended relative to the housing by being pivoted to an operated position;

FIG. 9 is a perspective view of a second embodiment of our new design;

FIG. 10 is a perspective view showing rear portions thereof;

FIG. 11 is a front side elevational view thereof;

FIG. 12 is a rear side elevational view thereof;

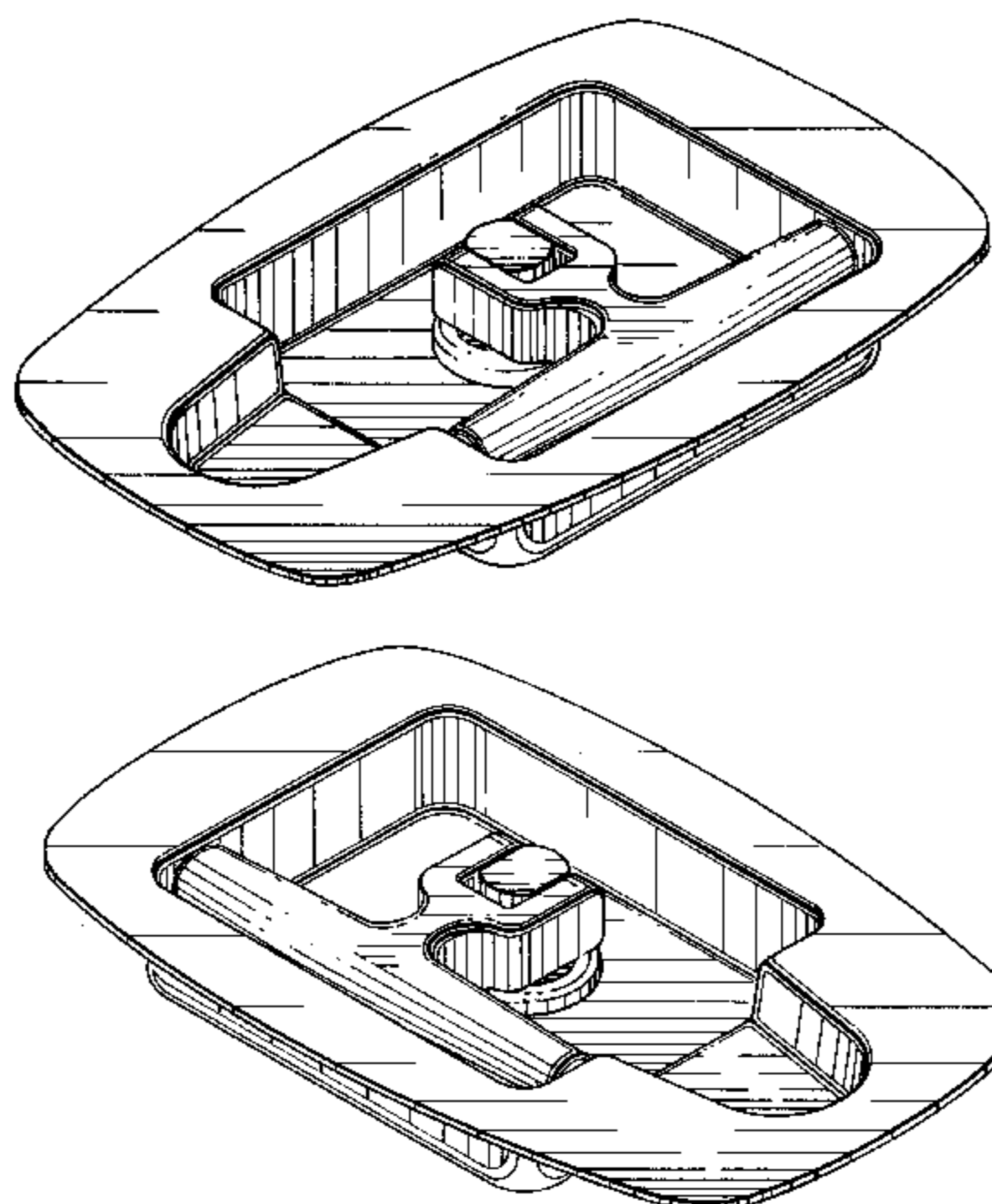
FIG. 13 is a bottom view thereof, it being understood that a top view would be a mirror image reversal of this view;

FIG. 14 is a left end view thereof;

FIG. 15 is a right end view thereof; and,

FIG. 16 is a perspective view similar to FIG. 8 showing the handle extended relative to the housing by being pivoted to an operated position.

1 Claim, 8 Drawing Sheets



US D457,799 S

Page 2

U.S. PATENT DOCUMENTS

4,850,209 A	7/1989	Weinerman et al.	70/208	D369,084 S	4/1996	McConnell et al.	D8/302
D303,617 S	9/1989	Russell et al.	D8/306	D369,089 S	4/1996	Zenner	D8/343
D303,618 S	9/1989	Russell et al.	D8/306	5,526,660 A	6/1996	Bennett et al.	70/208
D303,619 S	9/1989	Russell et al.	D8/313	D371,500 S	7/1996	McConnell et al.	D8/302
D303,620 S	9/1989	Russell et al.	D8/313	D373,298 S	9/1996	Miehe et al.	D8/302
D303,621 S	9/1989	Russell et al.	D8/313	5,564,295 A	10/1996	Weinerman et al.	70/208
D303,922 S	10/1989	Russell et al.	D8/321	5,586,458 A	12/1996	Weinerman et al.	70/208
D304,155 S	10/1989	Russell et al.	D8/303	5,606,882 A	3/1997	Larsen et al.	70/369
4,896,906 A	1/1990	Weinerman et al.	292/48	5,611,224 A	3/1997	Weinerman et al.	70/208
4,911,487 A	3/1990	Rachocki	292/216	D383,664 S	9/1997	Bennett	D8/331
4,917,412 A	4/1990	Swan et al.	292/48	D390,086 S	2/1998	Weinerman et al.	D8/306
4,951,486 A	8/1990	Braun et al.	70/208	D394,373 S	5/1998	Weinerman et al.	D8/306
4,969,916 A	11/1990	Weinerman et al.	70/208	5,820,174 A	10/1998	Parikh et al.	292/126
D314,131 S	1/1991	Russell et al.	D8/321	5,820,175 A	10/1998	Clavin	292/165
4,989,907 A	2/1991	Edmonds et al.	292/223	5,884,948 A	3/1999	Weinerman et al.	292/216
5,042,853 A	8/1991	Gleason et al.	292/126	D410,424 S	6/1999	Hansen	D12/196
5,046,340 A	9/1991	Weinerman et al.	70/208	D410,609 S	6/1999	Hansen	D12/196
5,058,937 A *	10/1991	Miehe et al.		5,927,772 A	7/1999	Antonucci et al.	292/336.3
5,069,491 A	12/1991	Weinerman et al.	292/48	5,927,773 A	7/1999	Larsen et al.	292/337
D323,776 S	2/1992	Hansen	D8/338	5,941,104 A	8/1999	Sadler	70/208
D328,231 S	7/1992	Hansen	D8/301	5,983,682 A	11/1999	Parikh	70/208
5,127,686 A	7/1992	Gleason et al.	292/216	5,984,383 A	11/1999	Parikh et al.	292/121
D339,050 S	9/1993	Gleason et al.	D8/301	5,987,943 A	11/1999	Verga et al.	70/208
5,299,844 A	4/1994	Gleason	292/240	5,992,908 A	11/1999	Yared et al.	292/196
D346,731 S	5/1994	Larsen et al.	D8/301	D417,555 S	12/1999	Yared et al.	D6/306
5,413,391 A	5/1995	Clavin et al.	292/170	D419,421 S	1/2000	Larsen et al.	D8/306
5,439,260 A	8/1995	Weinerman	292/48	6,023,953 A	2/2000	Vickers et al.	70/208
5,484,178 A *	1/1996	Sandhu et al.		6,145,352 A	11/2000	Vickers et al.	70/208

* cited by examiner

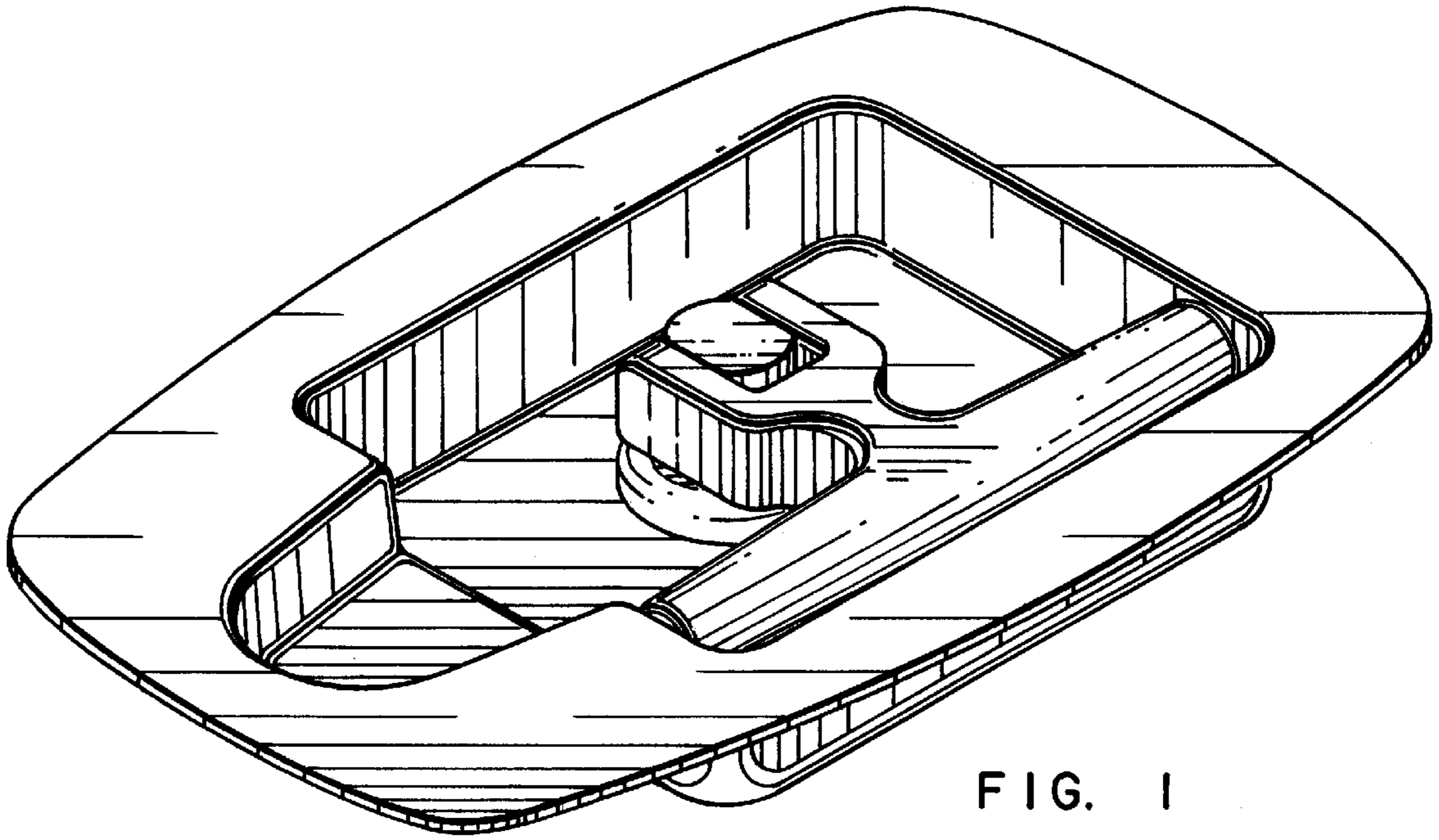


FIG. 1

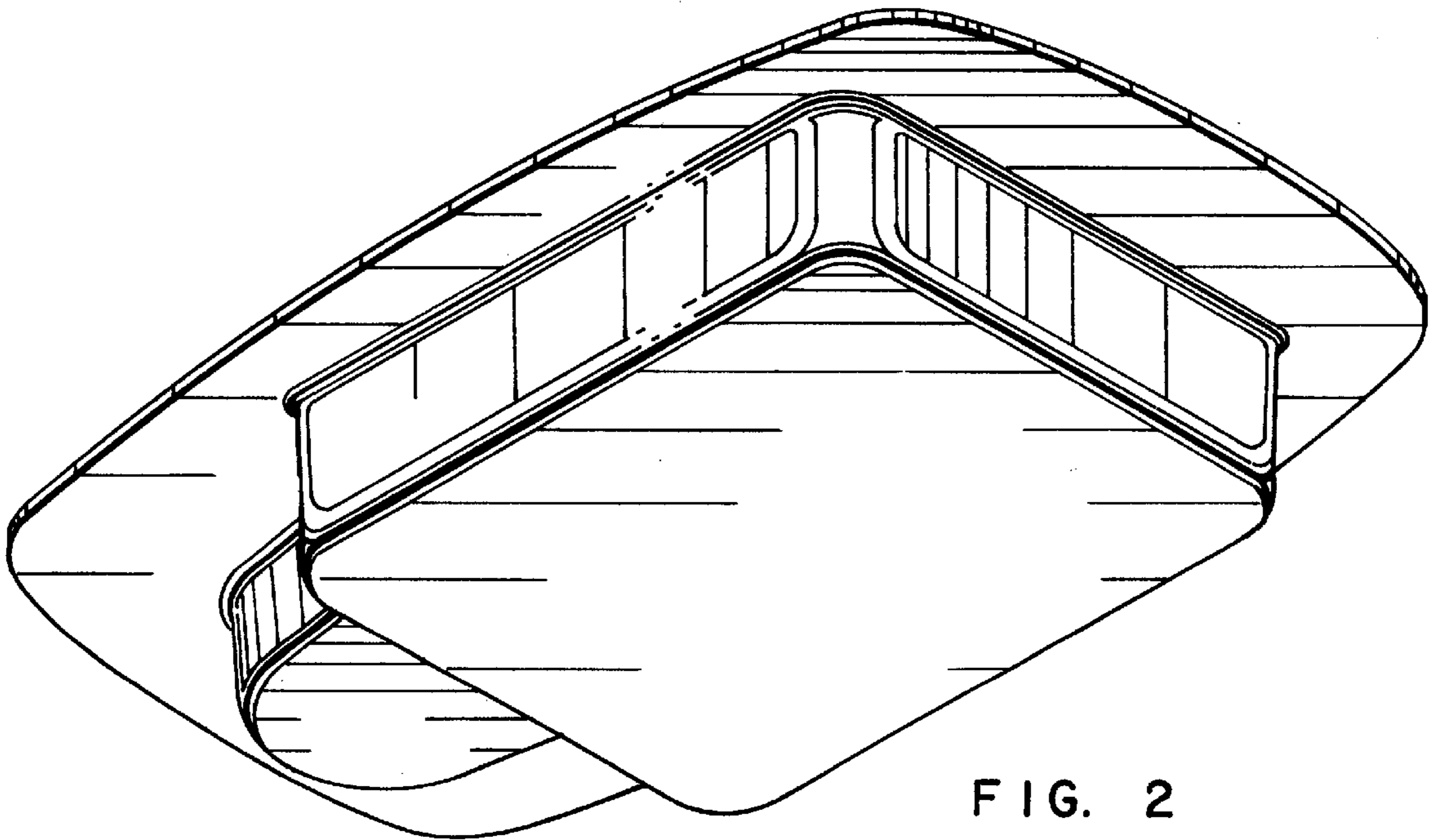


FIG. 2

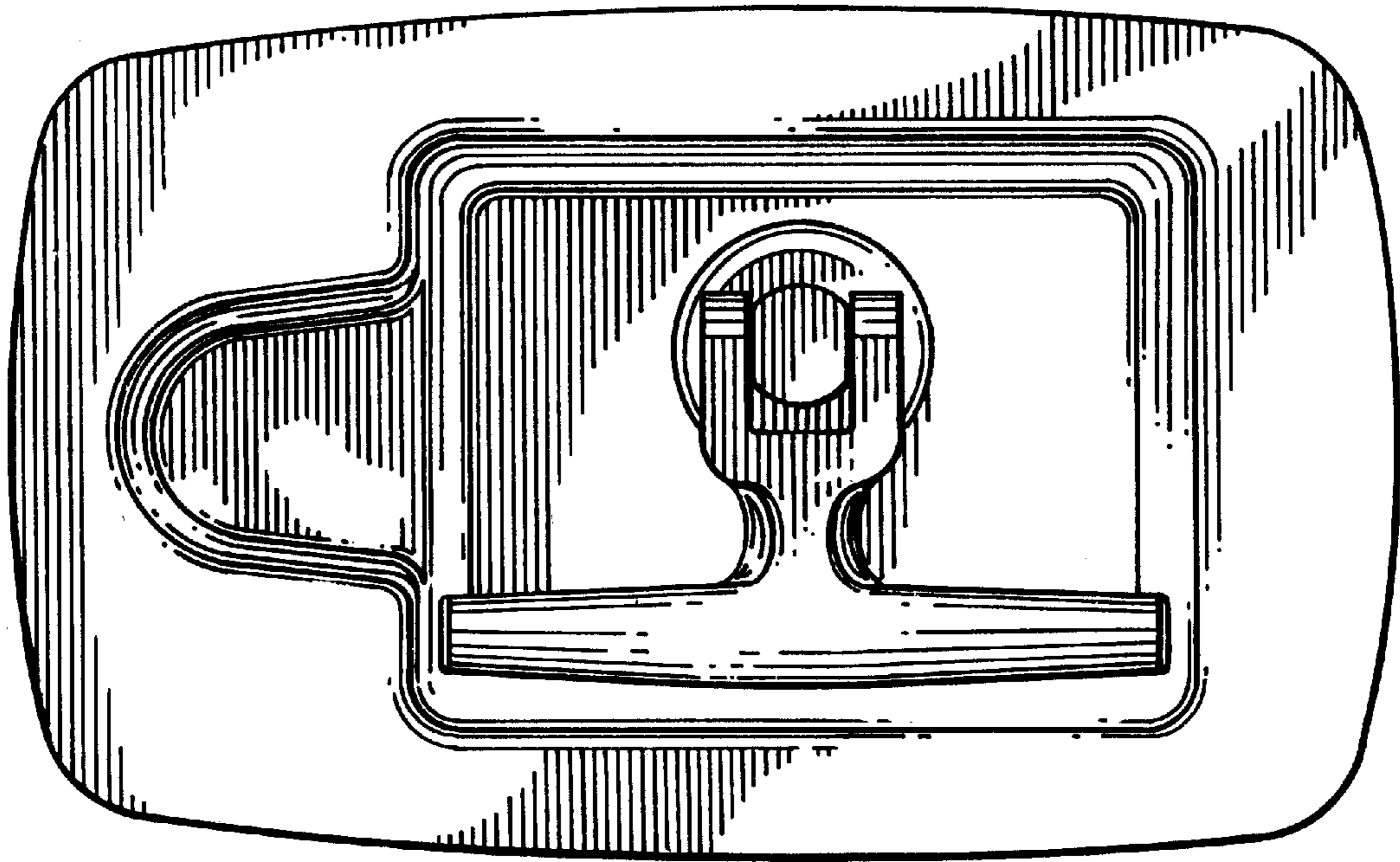


FIG. 3

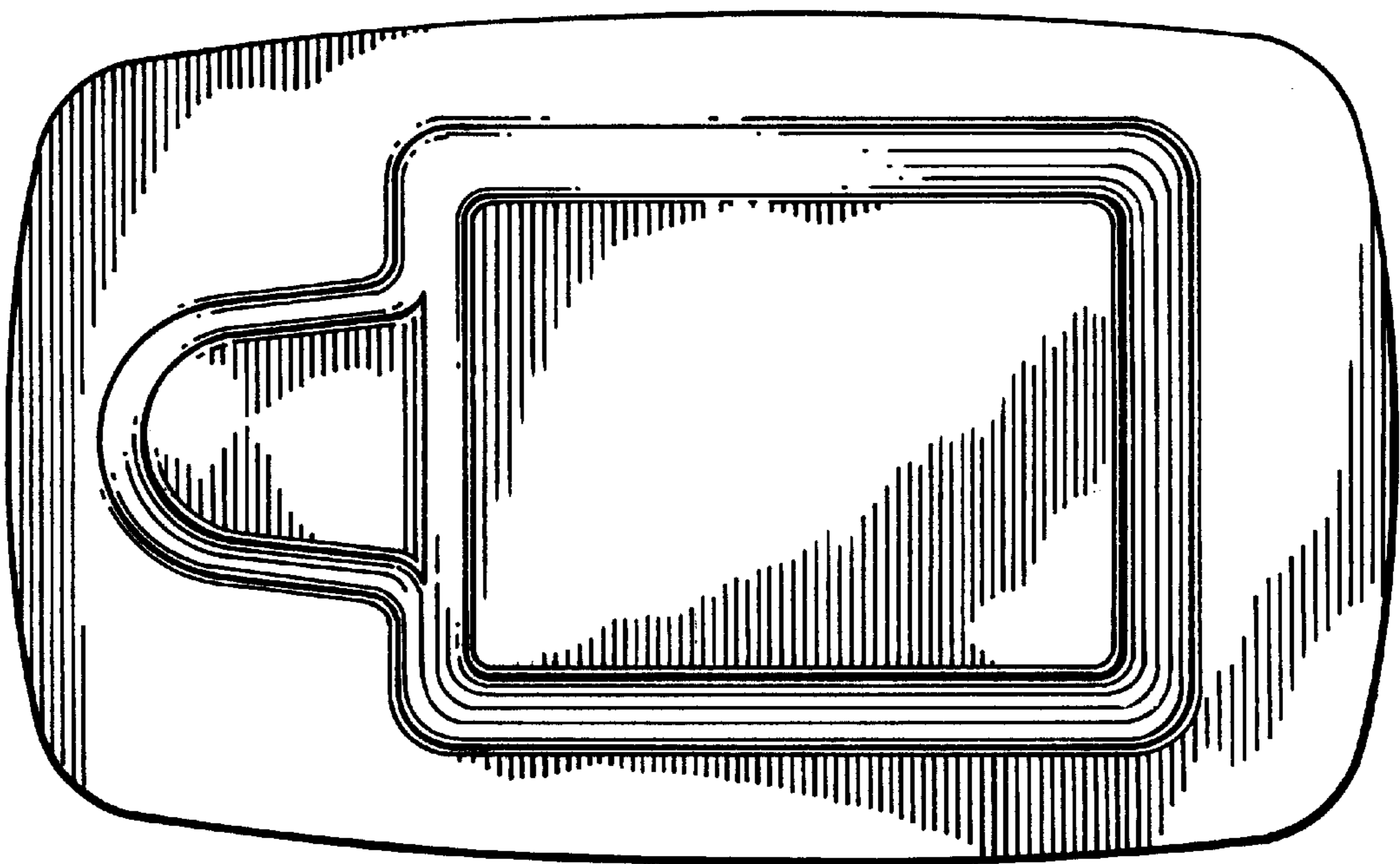


FIG. 4



FIG. 5



FIG. 6

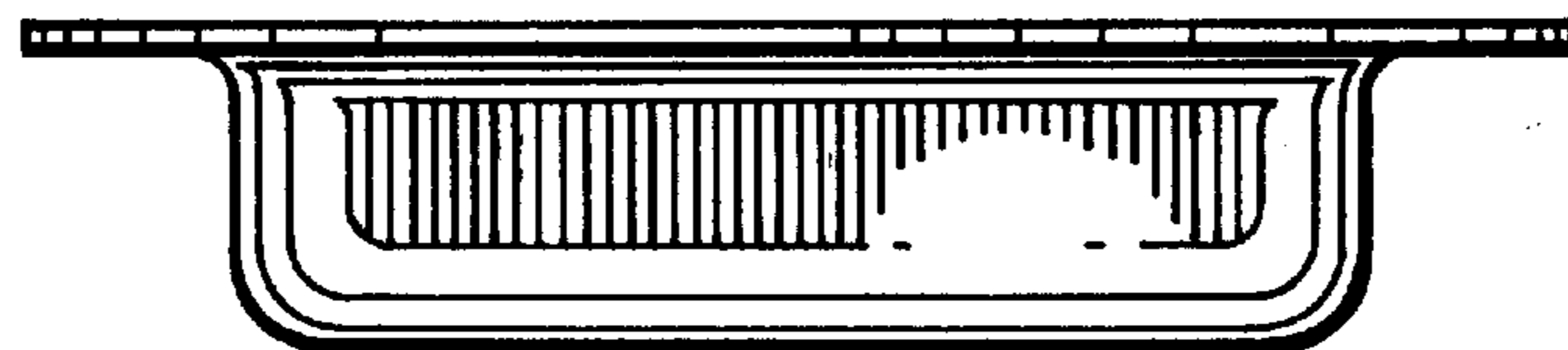


FIG. 7

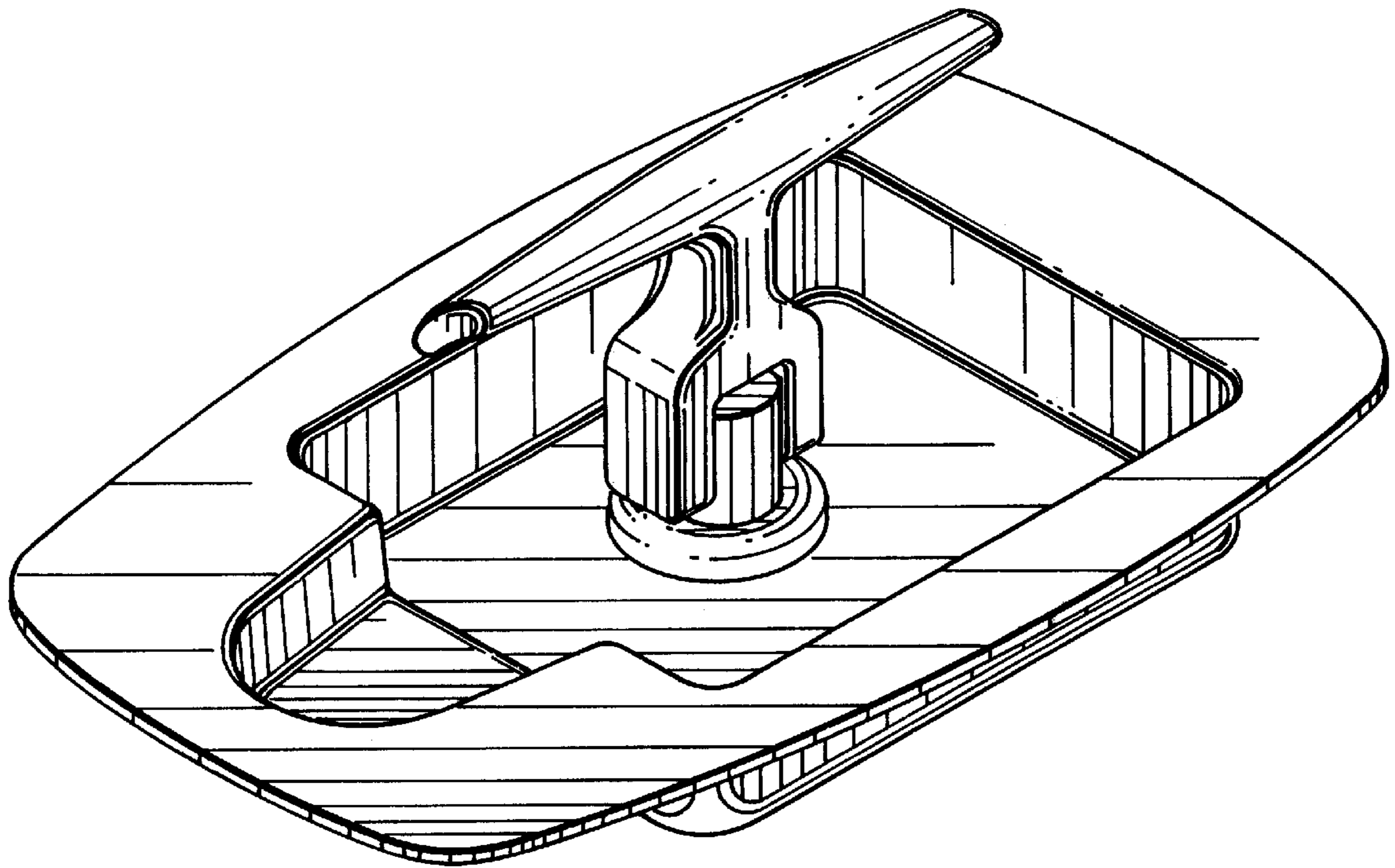


FIG. 8

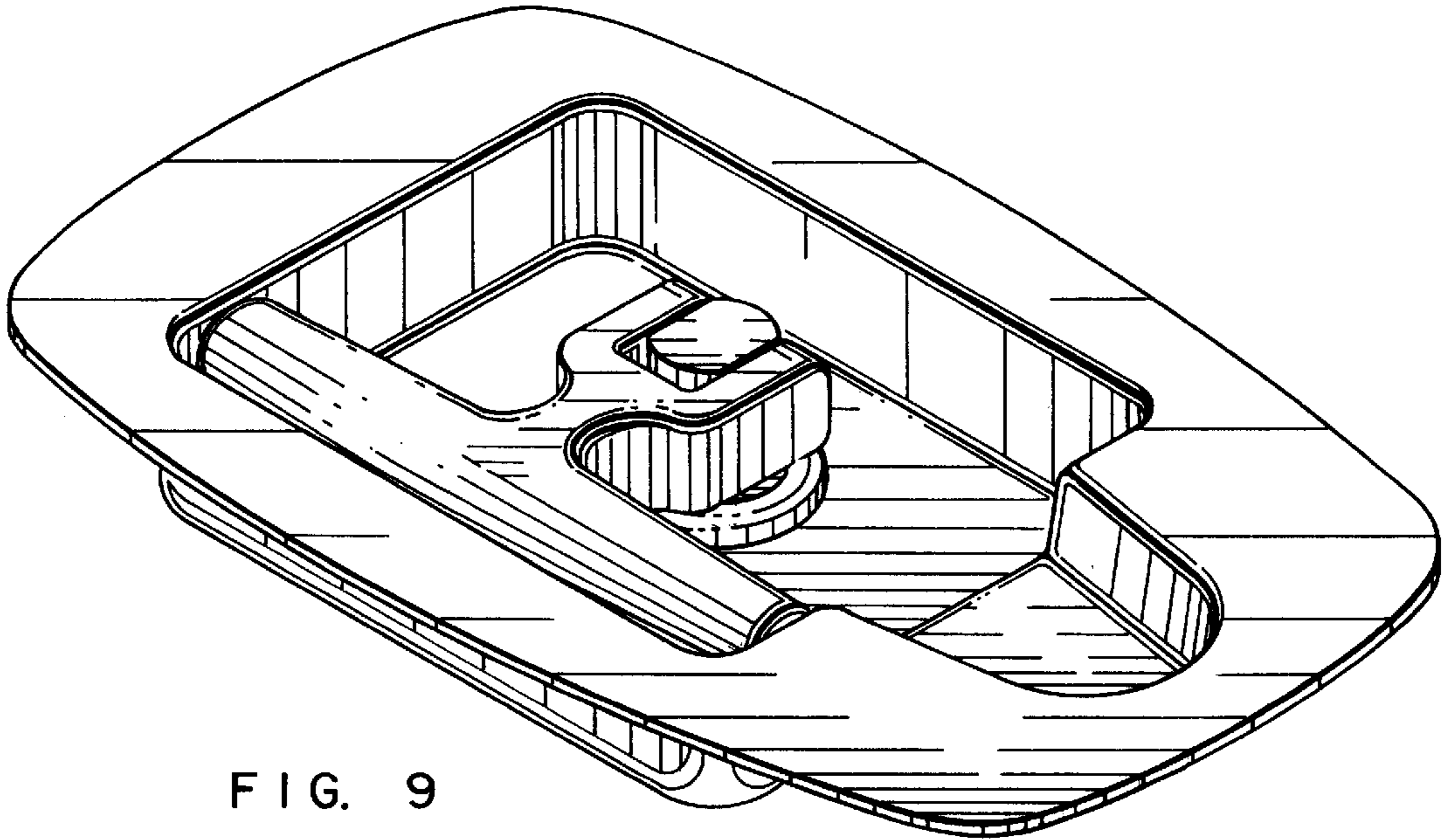


FIG. 9

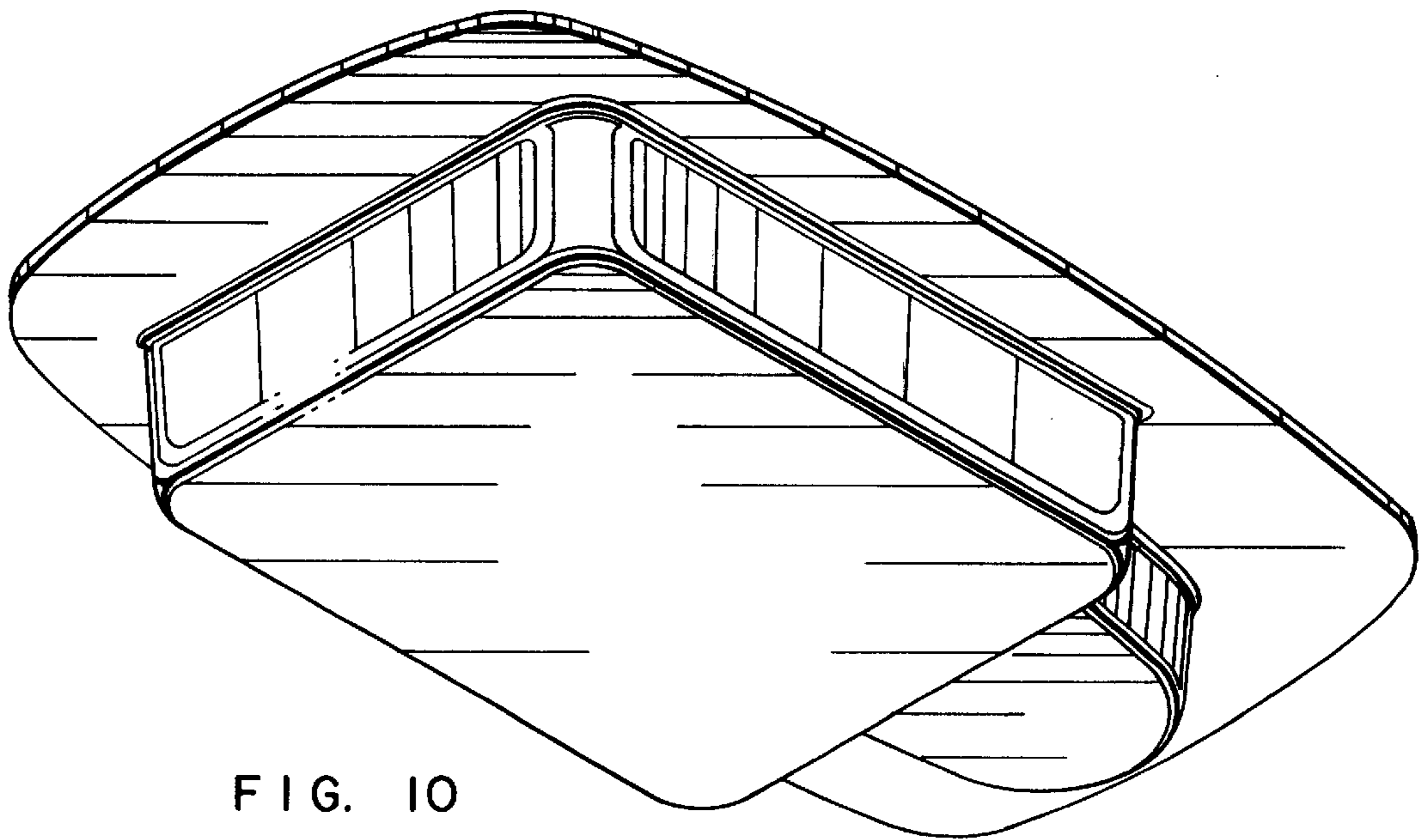


FIG. 10

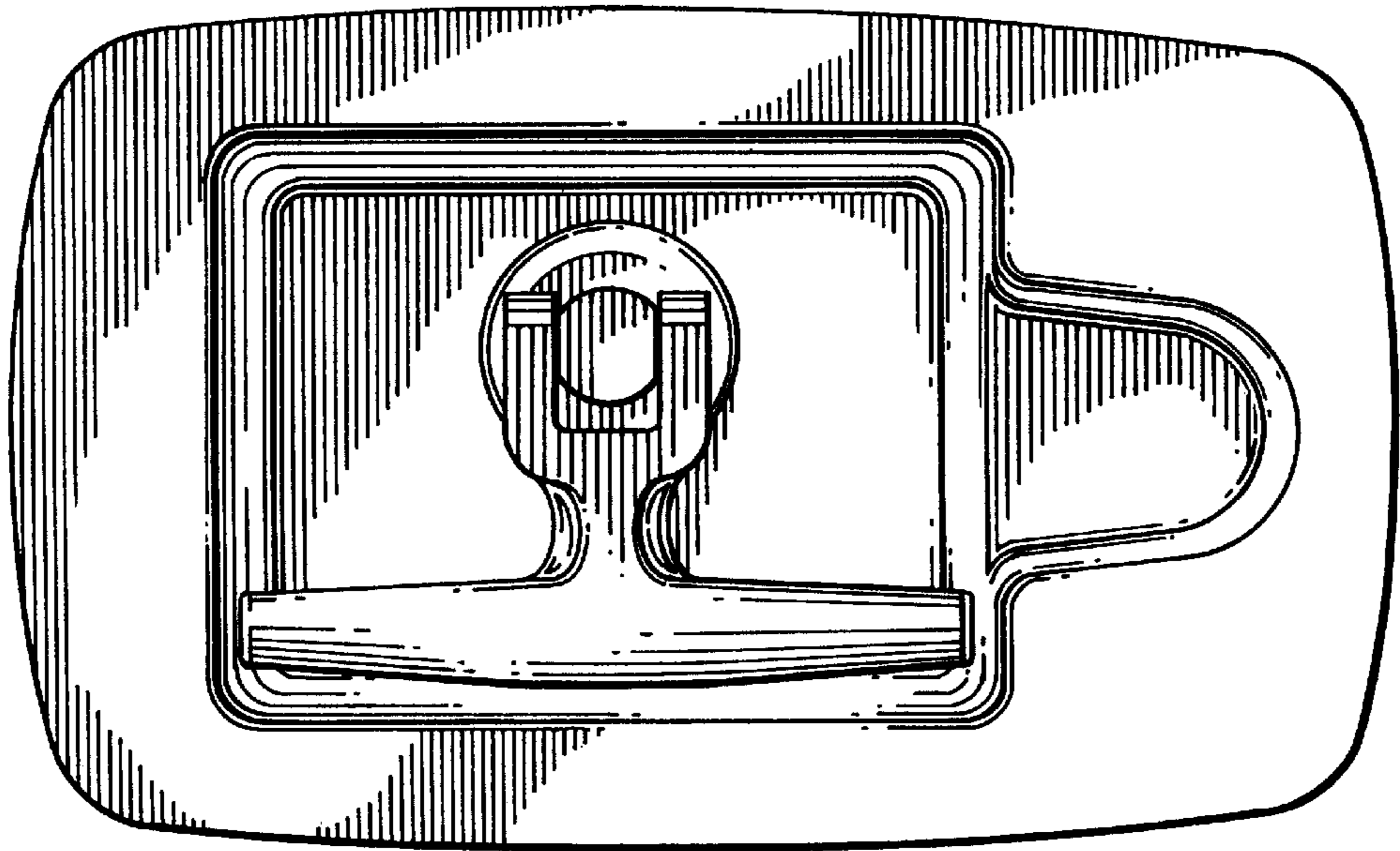


FIG. 11

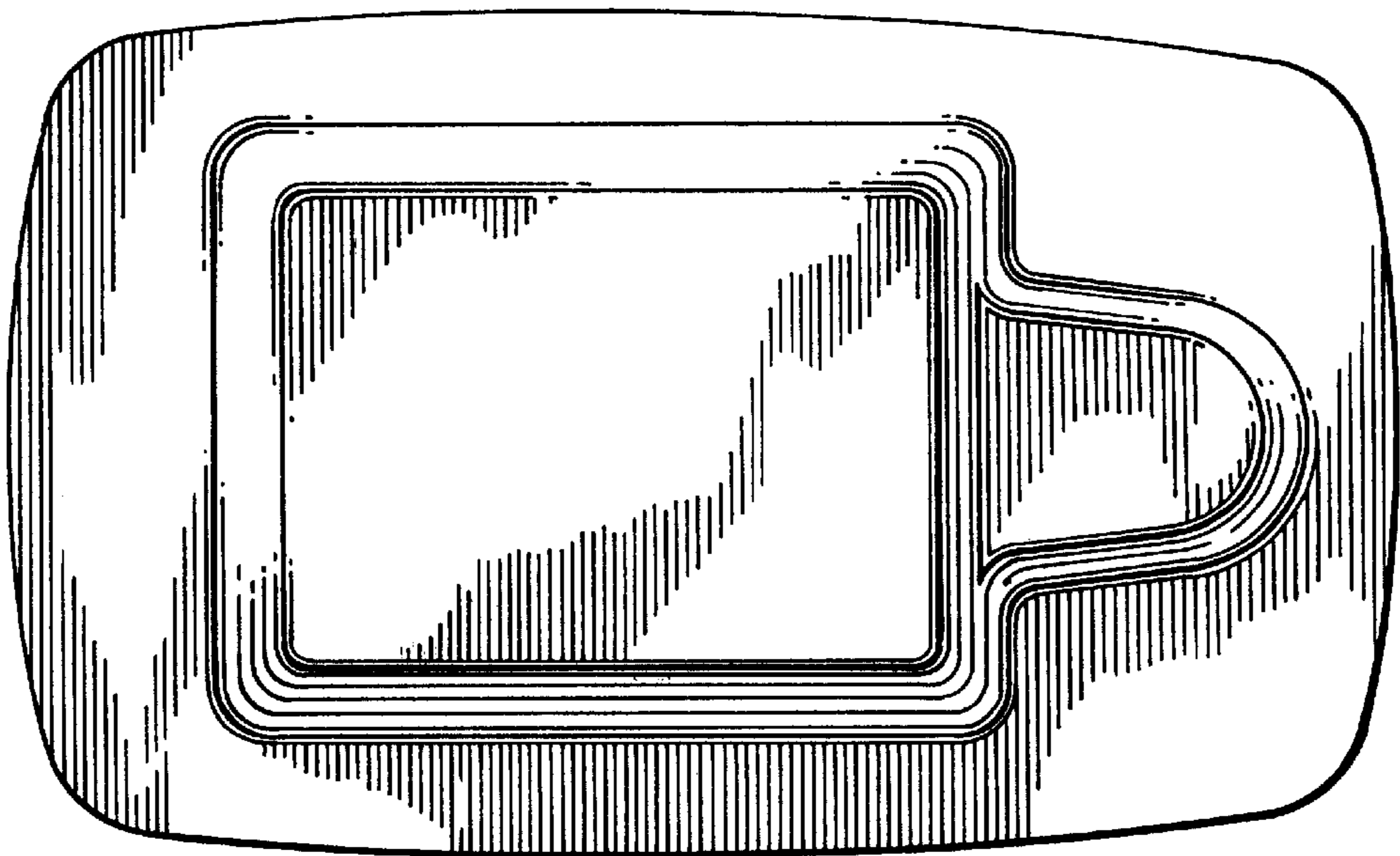


FIG. 12

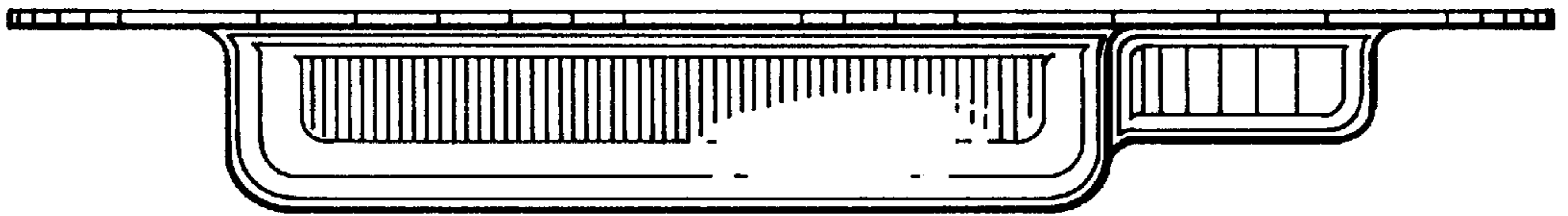


FIG. 13



FIG. 14

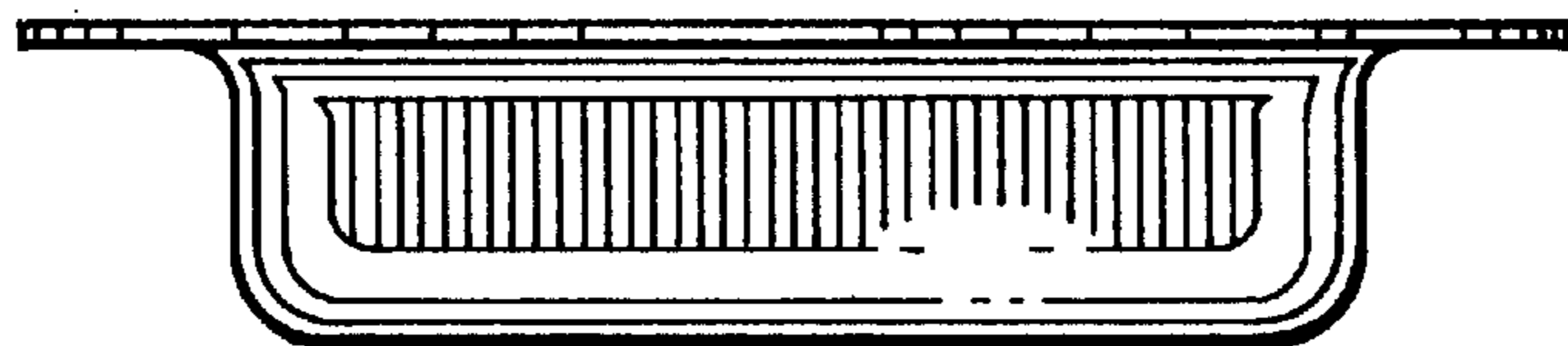


FIG. 15

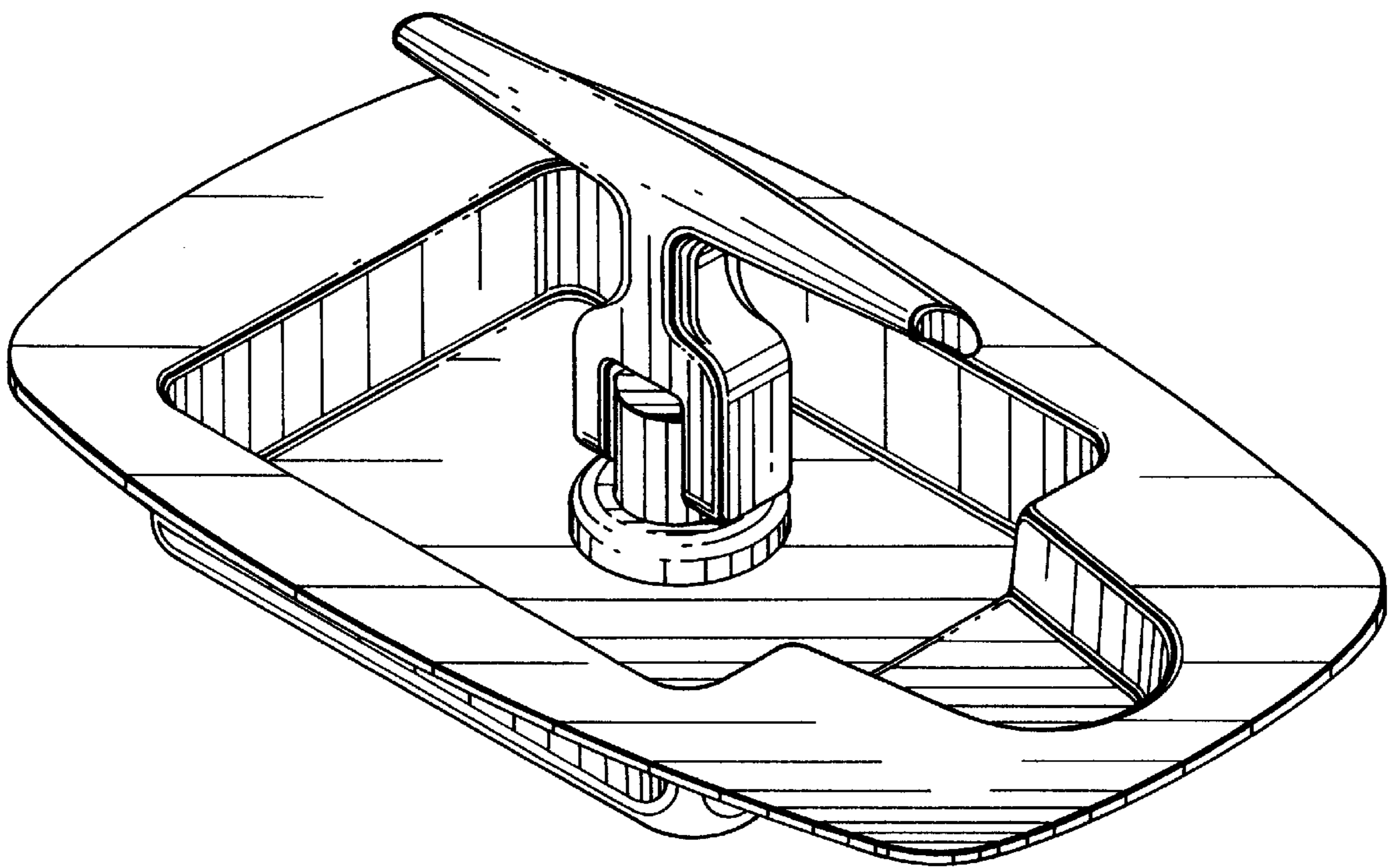


FIG. 16