



US00D457796S

(12) **United States Design Patent**
Keith-Lucas et al.

(10) **Patent No.:** **US D457,796 S**

(45) **Date of Patent:** **** May 28, 2002**

(54) **CORDLESS ROUTER**

(75) Inventors: **Darwin Timothy Keith-Lucas;**
Michael Anthony Lagaly, both of
Jackson; **James Andrew Patton**,
Humboldt, all of TN (US)

(73) Assignee: **Porter-Cable/Delta**, Jackson, TN (US)

(**) Term: **14 Years**

(21) Appl. No.: **29/143,469**

(22) Filed: **Jun. 15, 2001**

(51) **LOC (7) Cl.** **08-01**

(52) **U.S. Cl.** **D8/61**

(58) **Field of Search** D8/61, 62, 63,
D8/64, 67, 68, 69, 98; D15/122, 127; 408/199;
144/134.1, 135.2, 136.1, 154.5; 409/180,
181, 182

(56) **References Cited**

U.S. PATENT DOCUMENTS

4,655,653	A	*	4/1987	Hall et al.	409/182
D300,501	S	*	4/1989	Zurwelle	D8/67
4,827,996	A	*	5/1989	Cotton et al.	409/182
D444,688	S	*	7/2001	Boehler	D8/61

OTHER PUBLICATIONS

Porter-Cable 1999-2000 Product Catalog, p. 65.
DeWalt High Performance Industrial Tools & Accessories
2000 Product Catalog, pp. 75-76.
Makita Industrial Power Tools 1999-2000 General Catalog,
p. 62.

Milwaukee Heavy Duty Electric Tools Catalog 2000, p. 116.
Bosch Power Tools & Accessories 2000 Catalog, pp. 94-95.

* cited by examiner

Primary Examiner—Doris V. Coles

Assistant Examiner—Elizabeth A. Albert

(74) *Attorney, Agent, or Firm*—Hunton & Williams

(57) **CLAIM**

The ornamental design for a cordless router, as shown and described.

DESCRIPTION

This application is related by subject matter to U.S. patent application No. 09/880,905 filed Jun. 15, 2001.

FIG. 1 is an isometric view of the cordless router.

FIG. 2 is another isometric view of the cordless router of FIG. 1.

FIG. 3 is another isometric view of the cordless router of FIG. 1.

FIG. 4 is a front view of the cordless router of FIG. 1.

FIG. 5 is a rear view of the cordless router of FIG. 1.

FIG. 6 is a right-side view of the cordless router of FIG. 1.

FIG. 7 is a left-side view of the cordless router of FIG. 1.

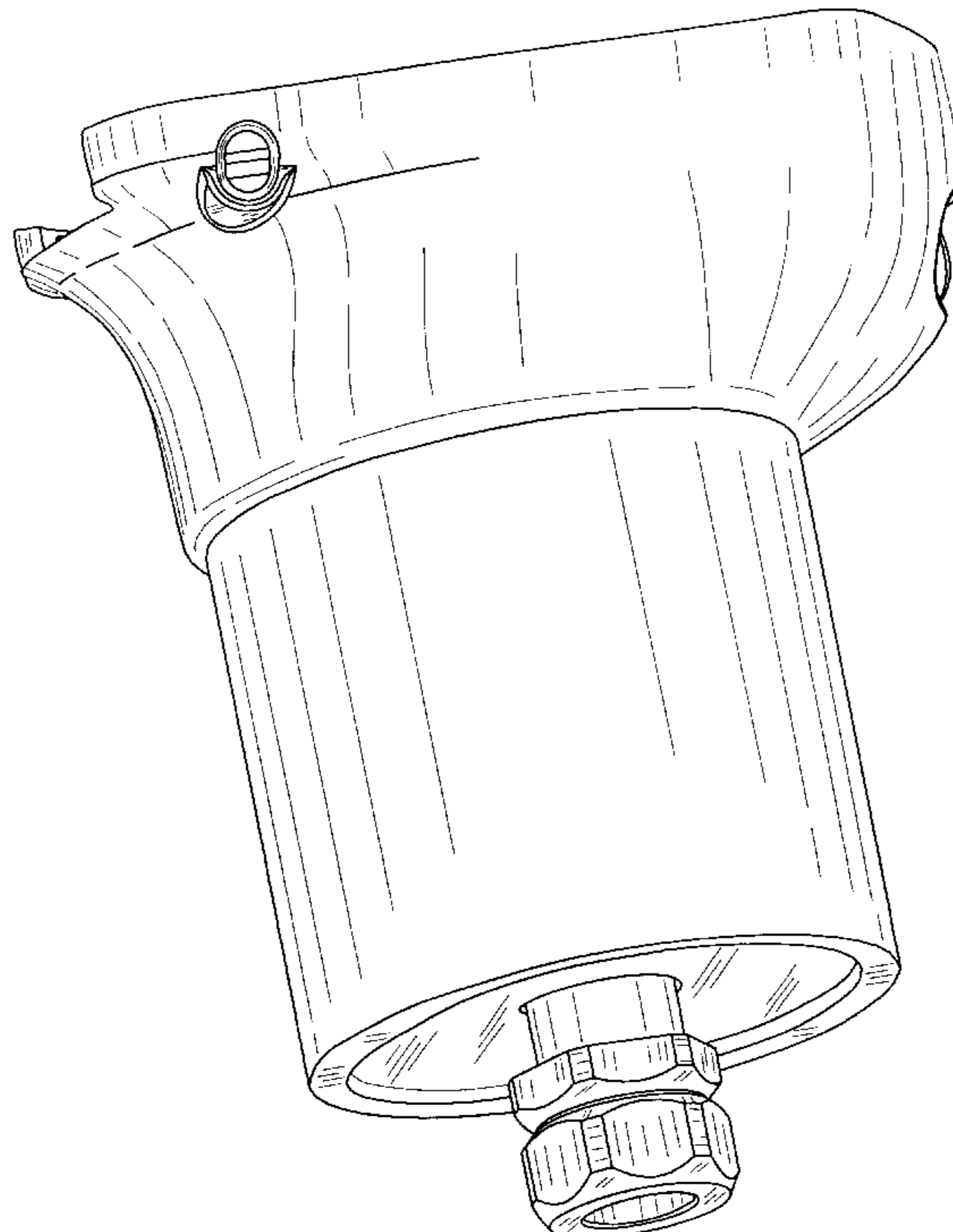
FIG. 8 is a top view of the cordless router of FIG. 1.

FIG. 9 is a bottom view of the cordless router of FIG. 1; and,

FIG. 10 is another isometric view of the cordless router of FIG. 1 shown in its environment.

The broken line illustration of the battery attachment surface on top of the cordless router in FIGS. 1-10 forms no part of the claimed design. The broken line illustration of environmental structure in FIG. 10 is for illustrative purposes only and forms no part of the claimed design.

1 Claim, 9 Drawing Sheets



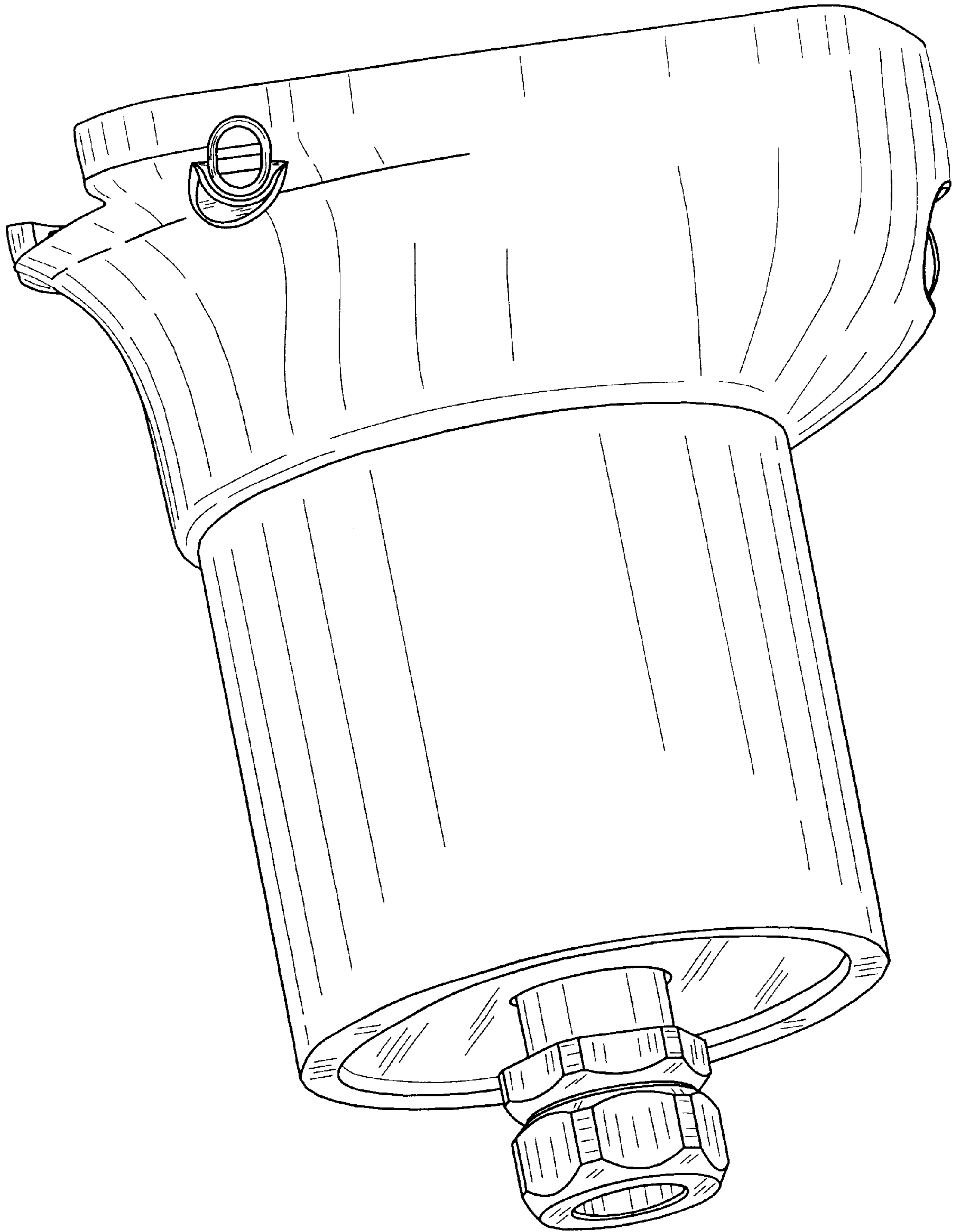


FIG. 1

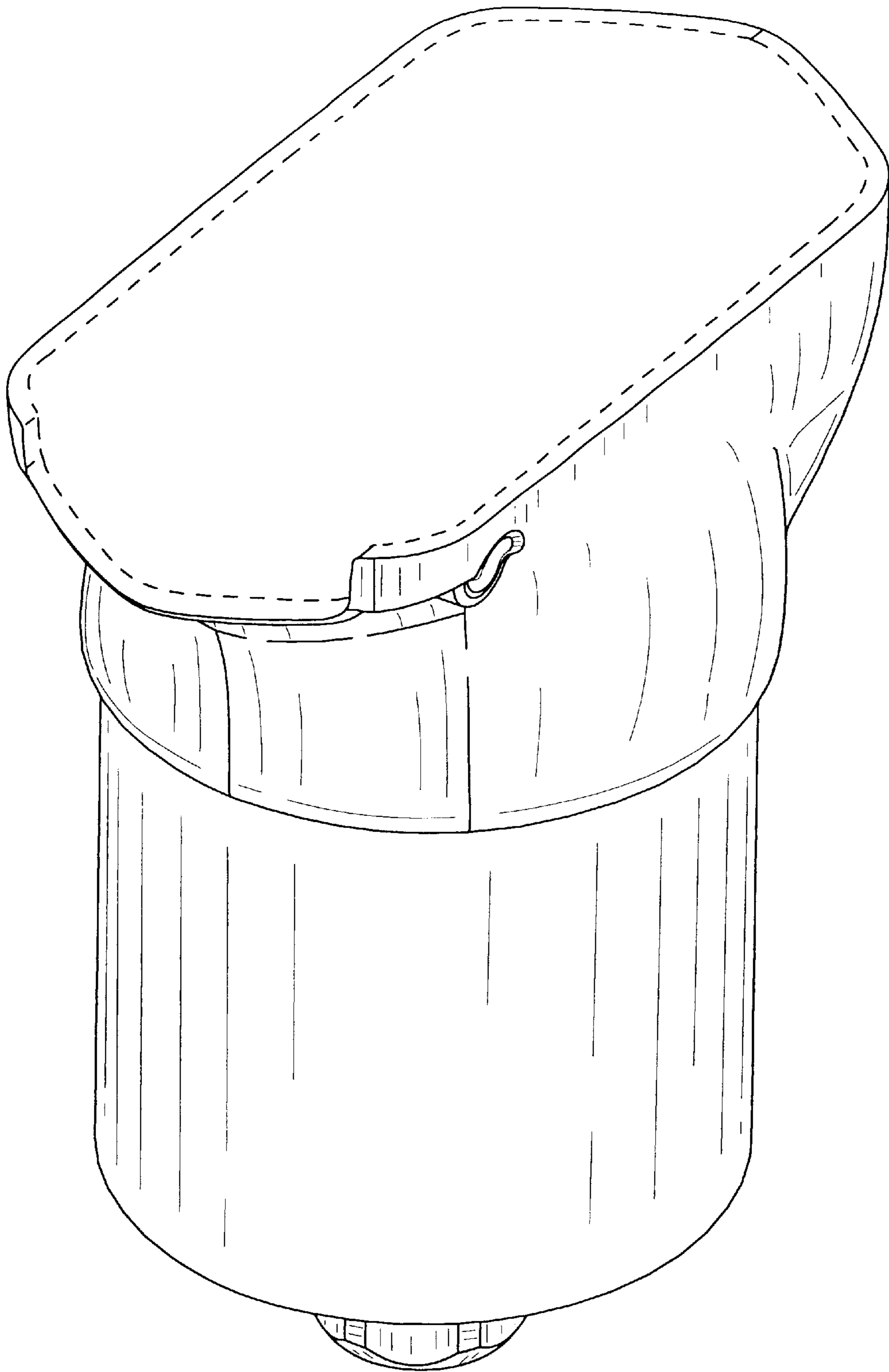


FIG. 2

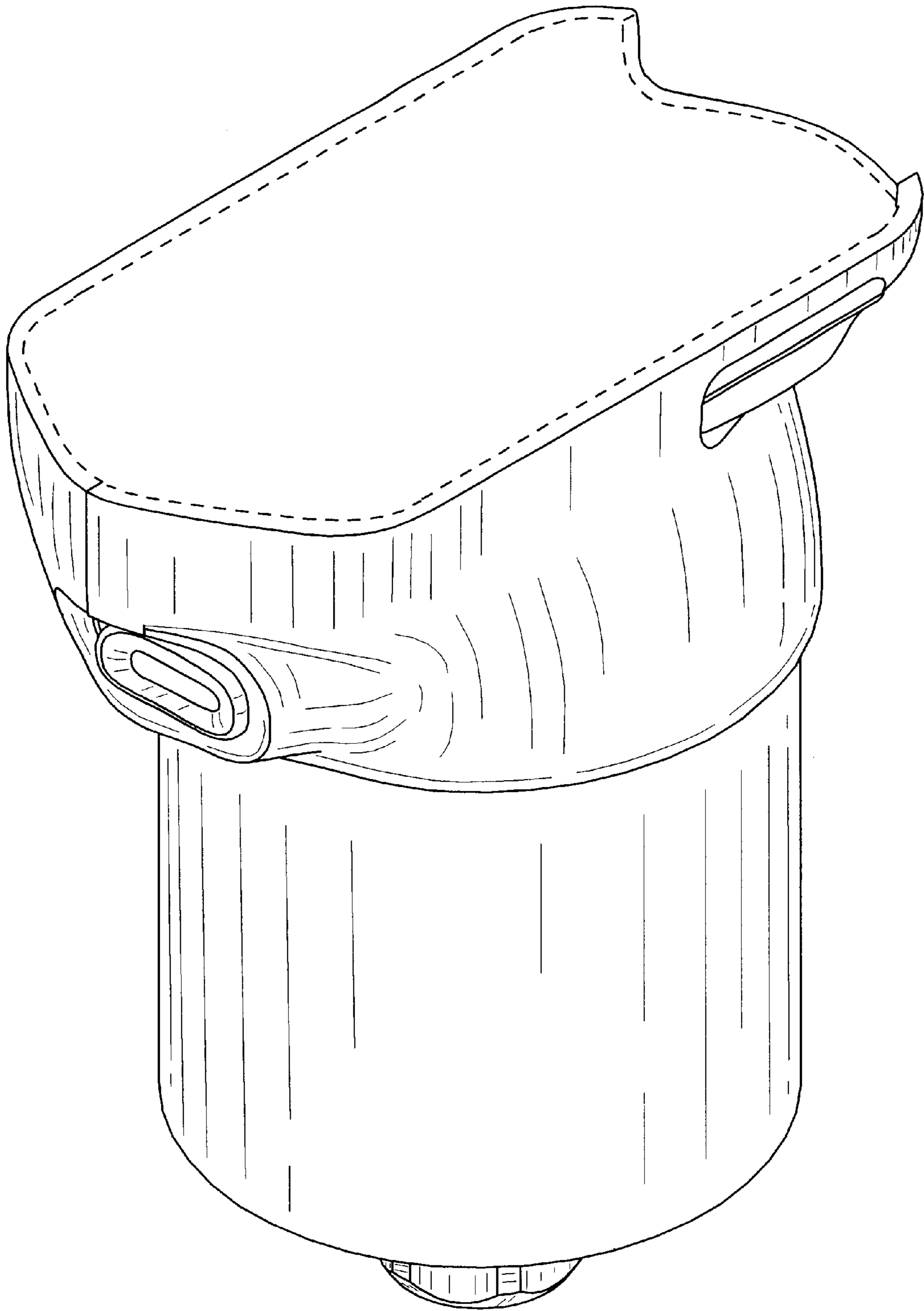


FIG. 3

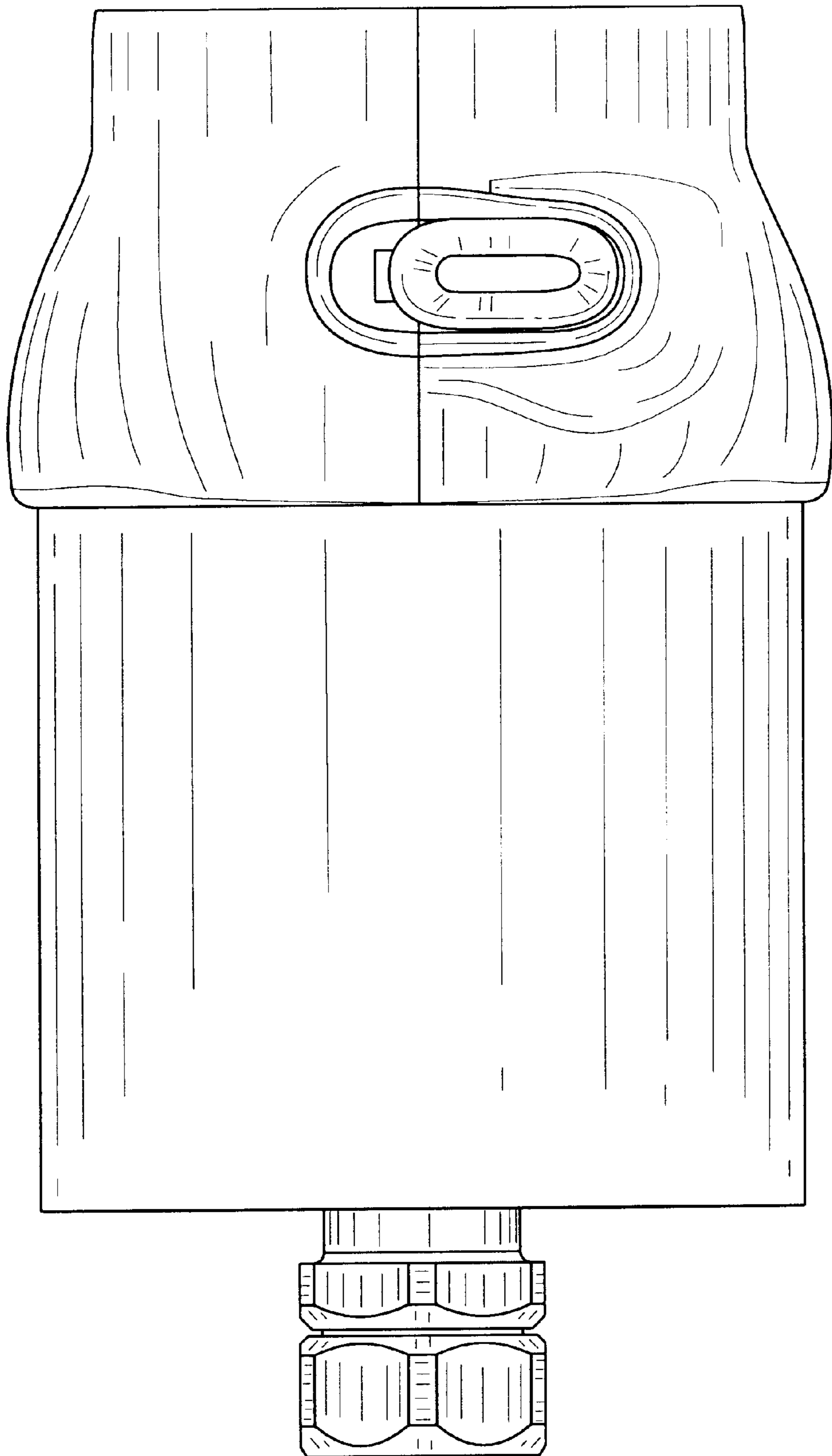


FIG. 4

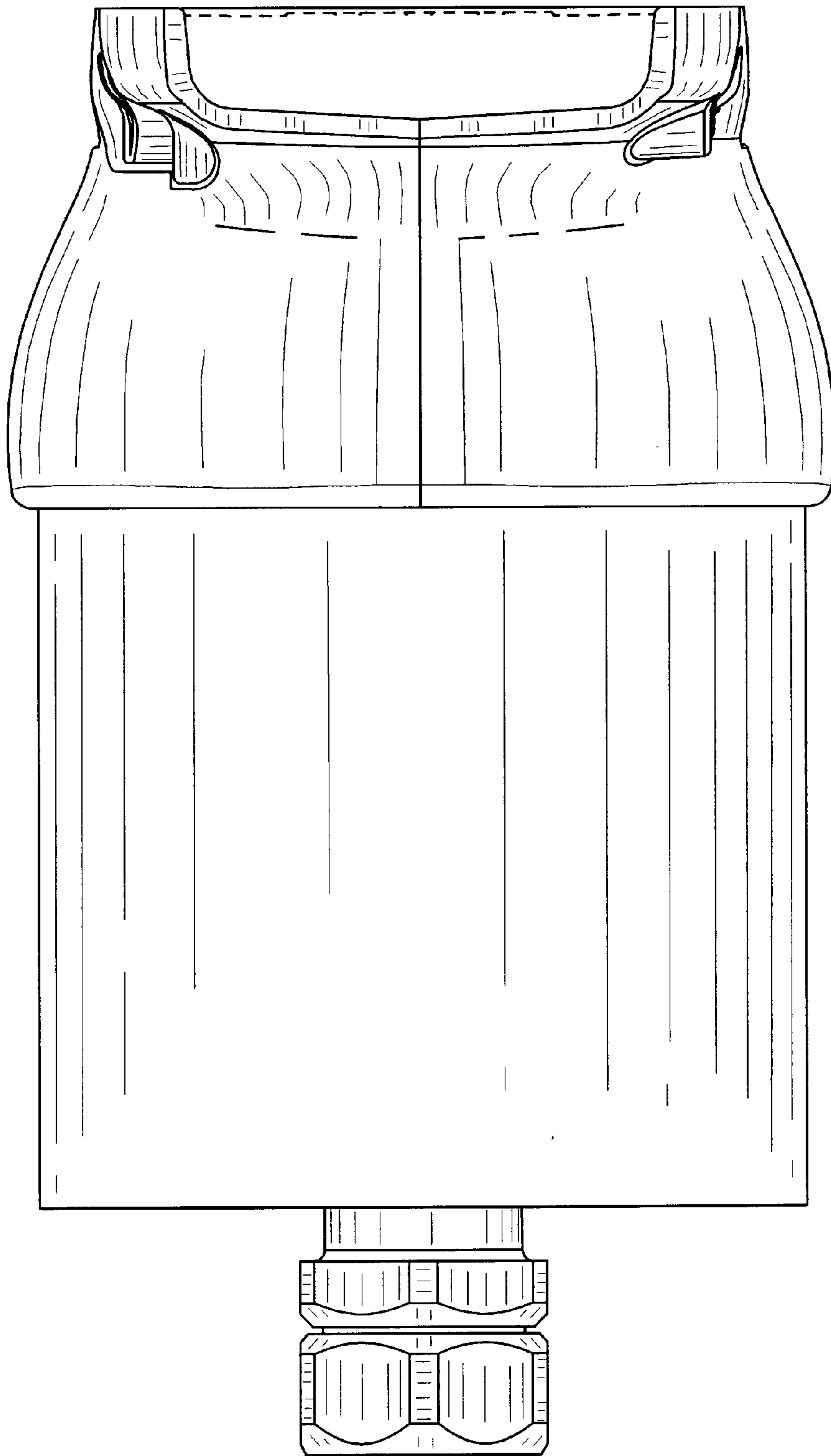


FIG. 5

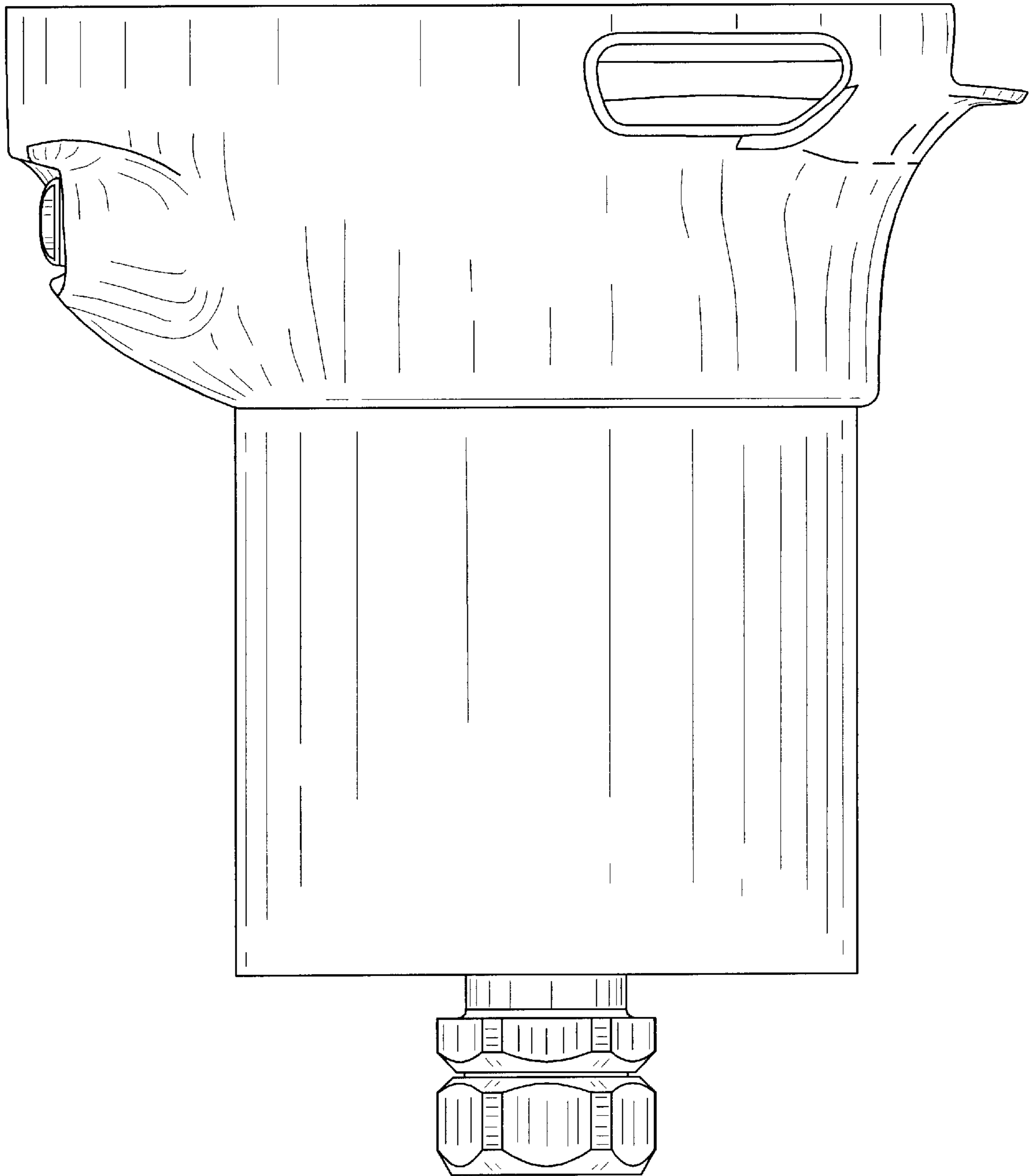


FIG. 6

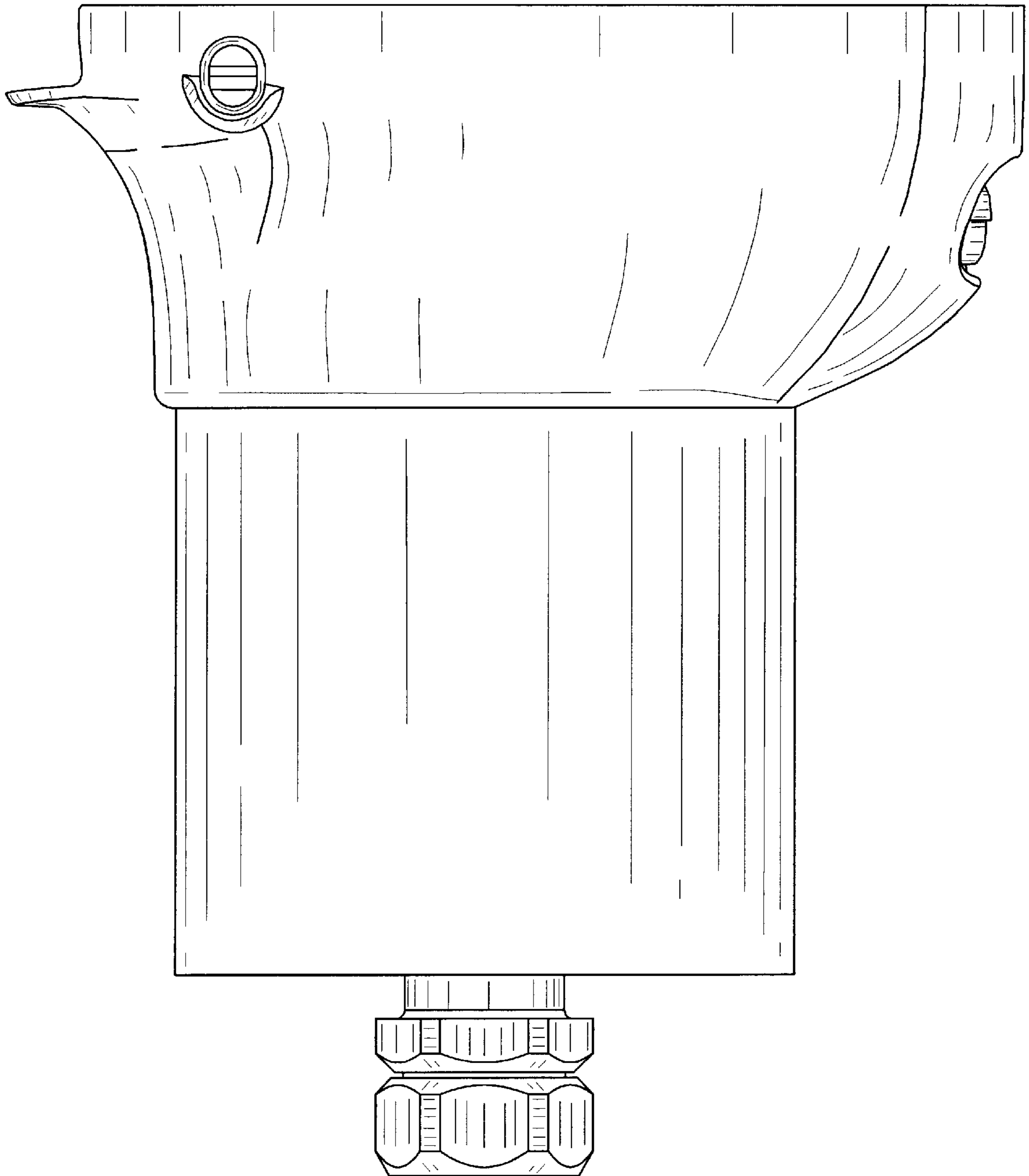


FIG. 7

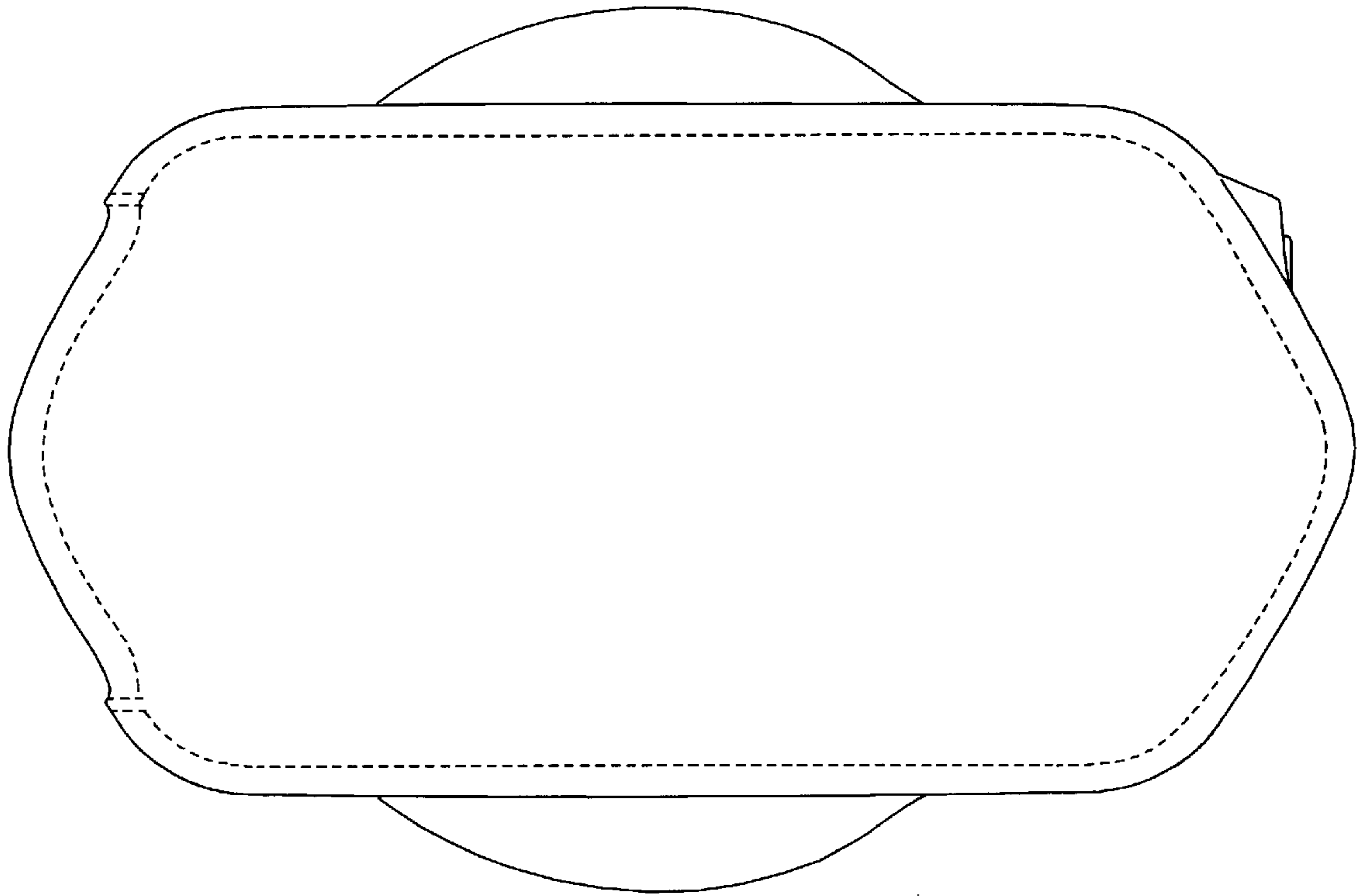


FIG. 8

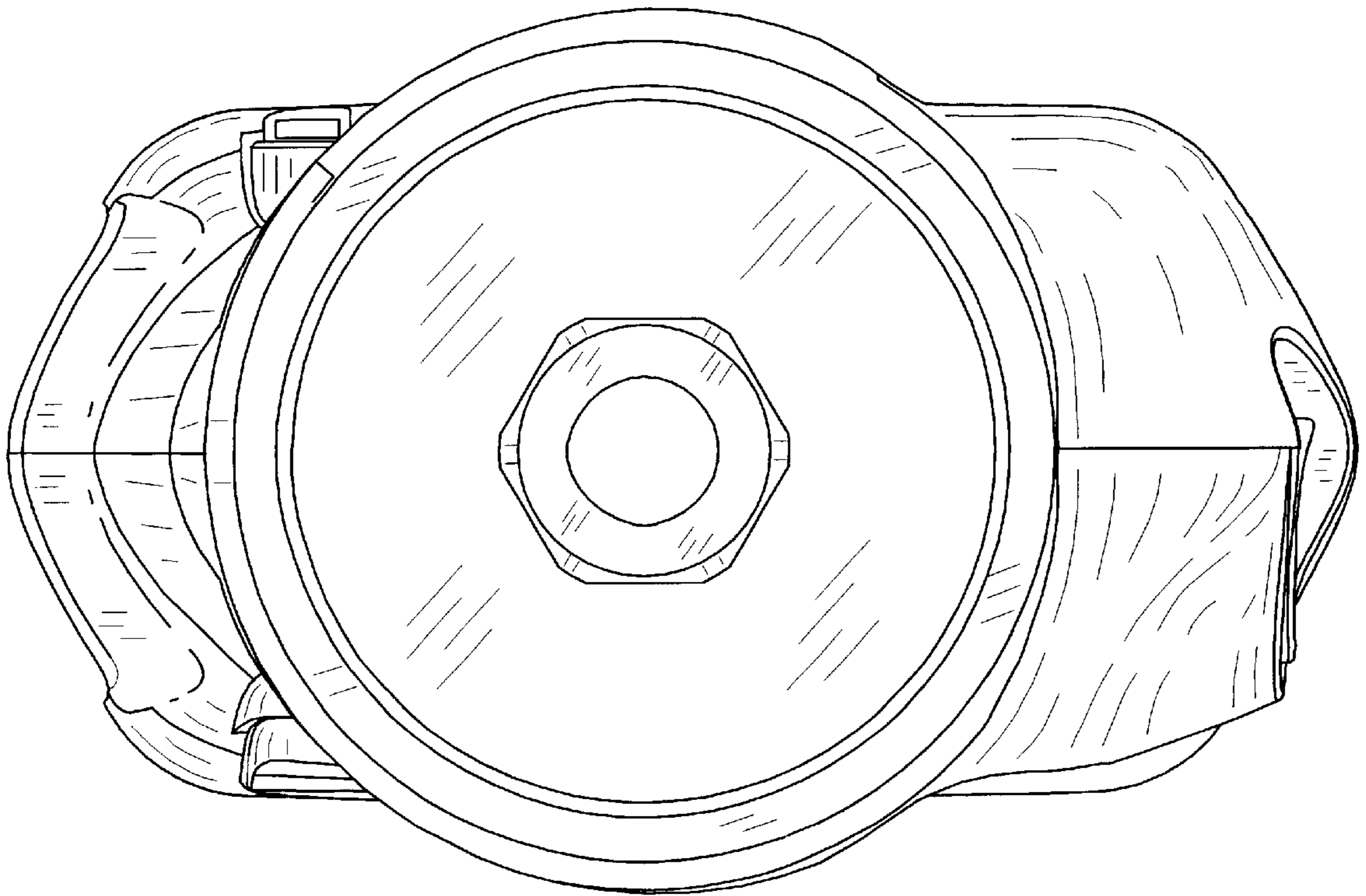


FIG. 9

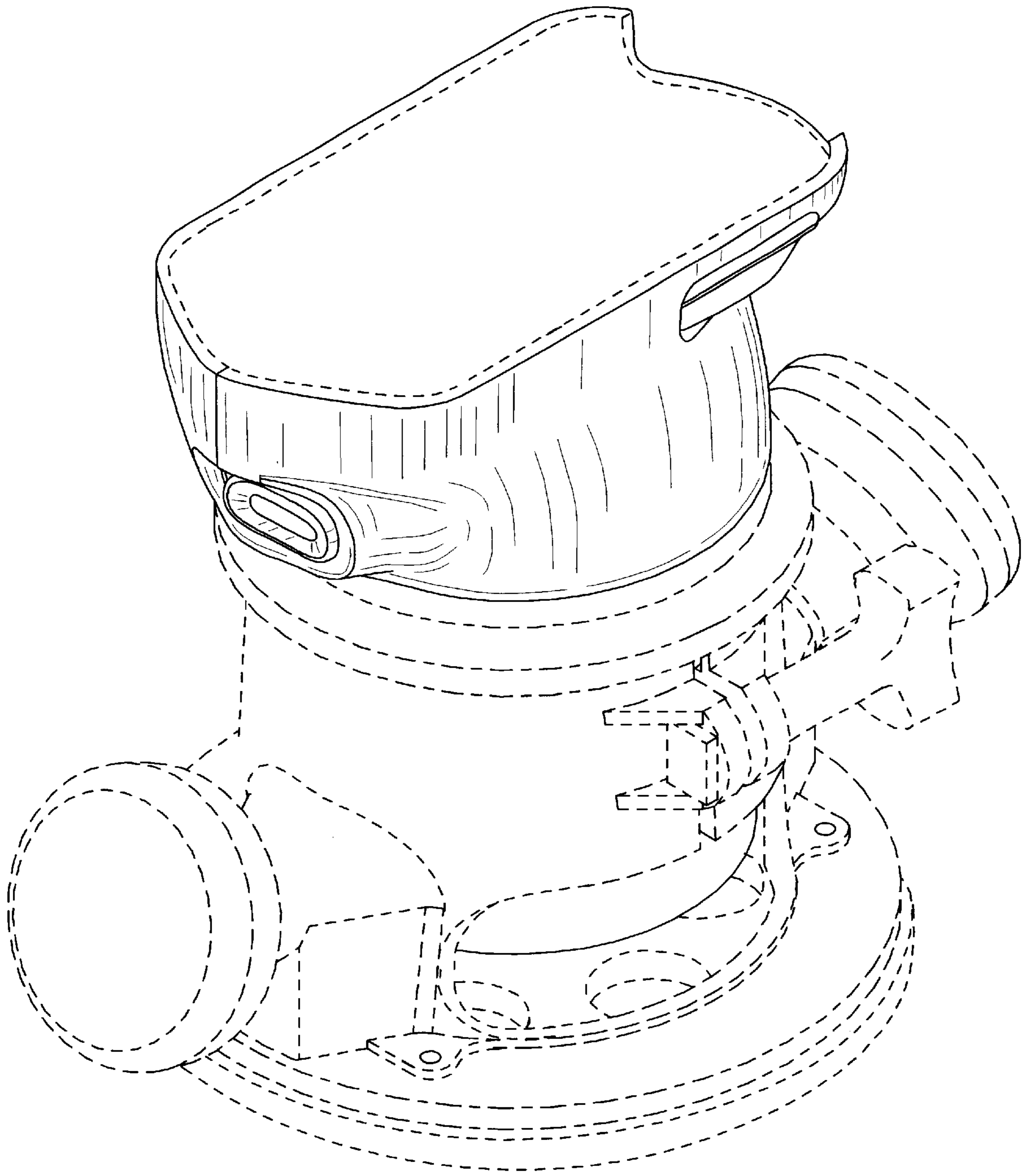


FIG. 10