



US00D457790S

(12) **United States Design Patent**
Wang et al.

(10) **Patent No.:** **US D457,790 S**

(45) **Date of Patent:** **** May 28, 2002**

- (54) **CUTTING TOOL WITH SLEEVE**
- (75) Inventors: **Nigel Wang**, Taipei (TW); **Kristen Hellweg**, Des Plaines, IL (US)
- (73) Assignee: **The Pampered Chef, Ltd.**, Addison, IL (US)
- (**) Term: **14 Years**
- (21) Appl. No.: **29/119,379**
- (22) Filed: **Feb. 28, 2000**
- (51) **LOC (7) Cl.** **07-04**
- (52) **U.S. Cl.** **D7/696**
- (58) **Field of Search** D7/693-696; 30/114, 30/142, 286, 298.4, 314-316, 340

- (56) **References Cited**
- U.S. PATENT DOCUMENTS**
- 1,919,006 A * 7/1933 Bricker 30/315
- D220,598 S * 4/1971 Meszarus D7/693
- 4,457,070 A * 7/1984 Reeves 30/355
- 4,959,905 A * 10/1990 Ghislain 30/298.4

- OTHER PUBLICATIONS**
- The Pampered Chef Catalog, Fall/Winter 1998, pp. 3, 4.
- Colonial Garden Kitchens catalog, 1993, p. 47.

* cited by examiner

Primary Examiner—Terry A. Wallace
(74) *Attorney, Agent, or Firm*—Olson & Hierl, Ltd.

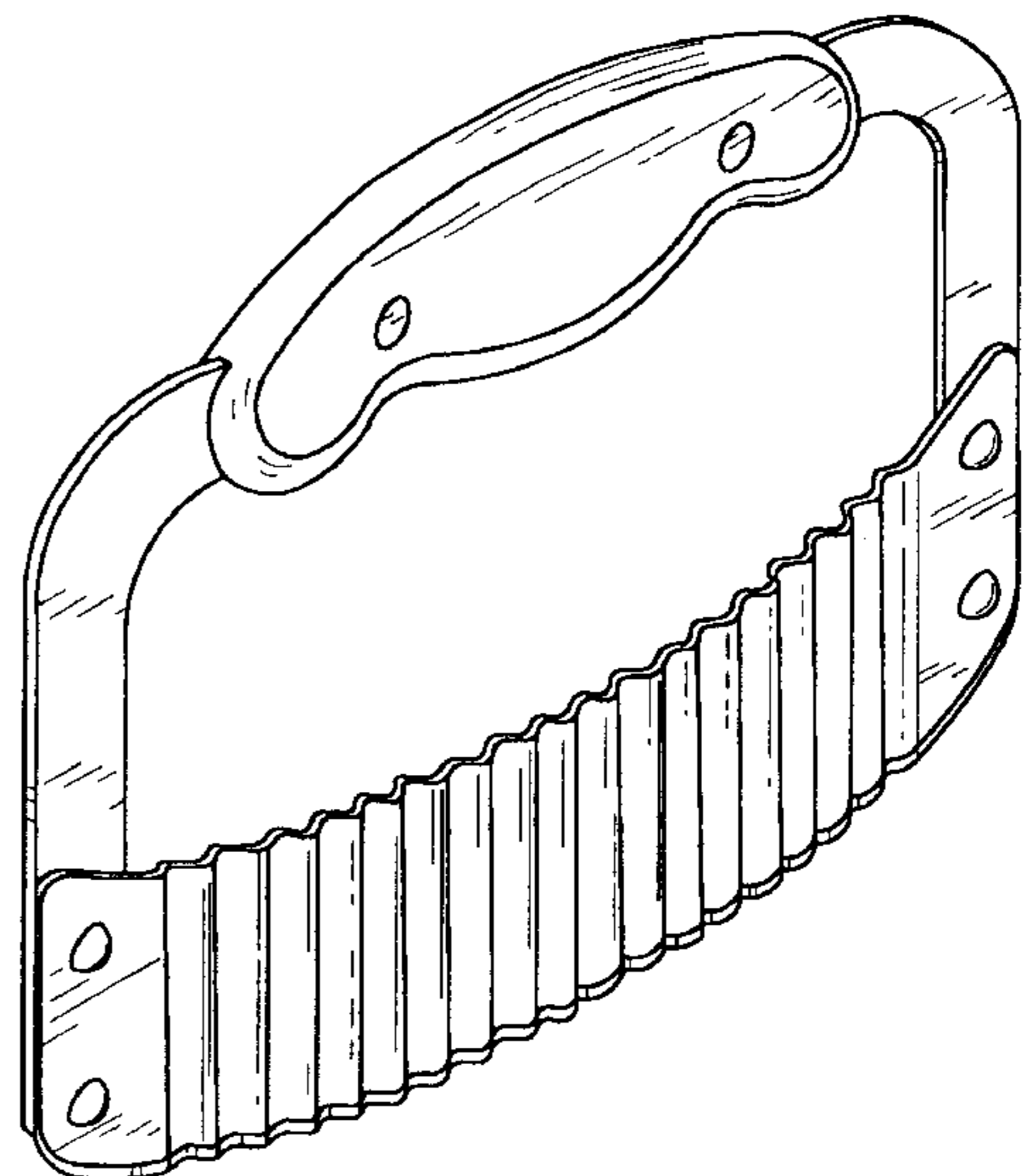
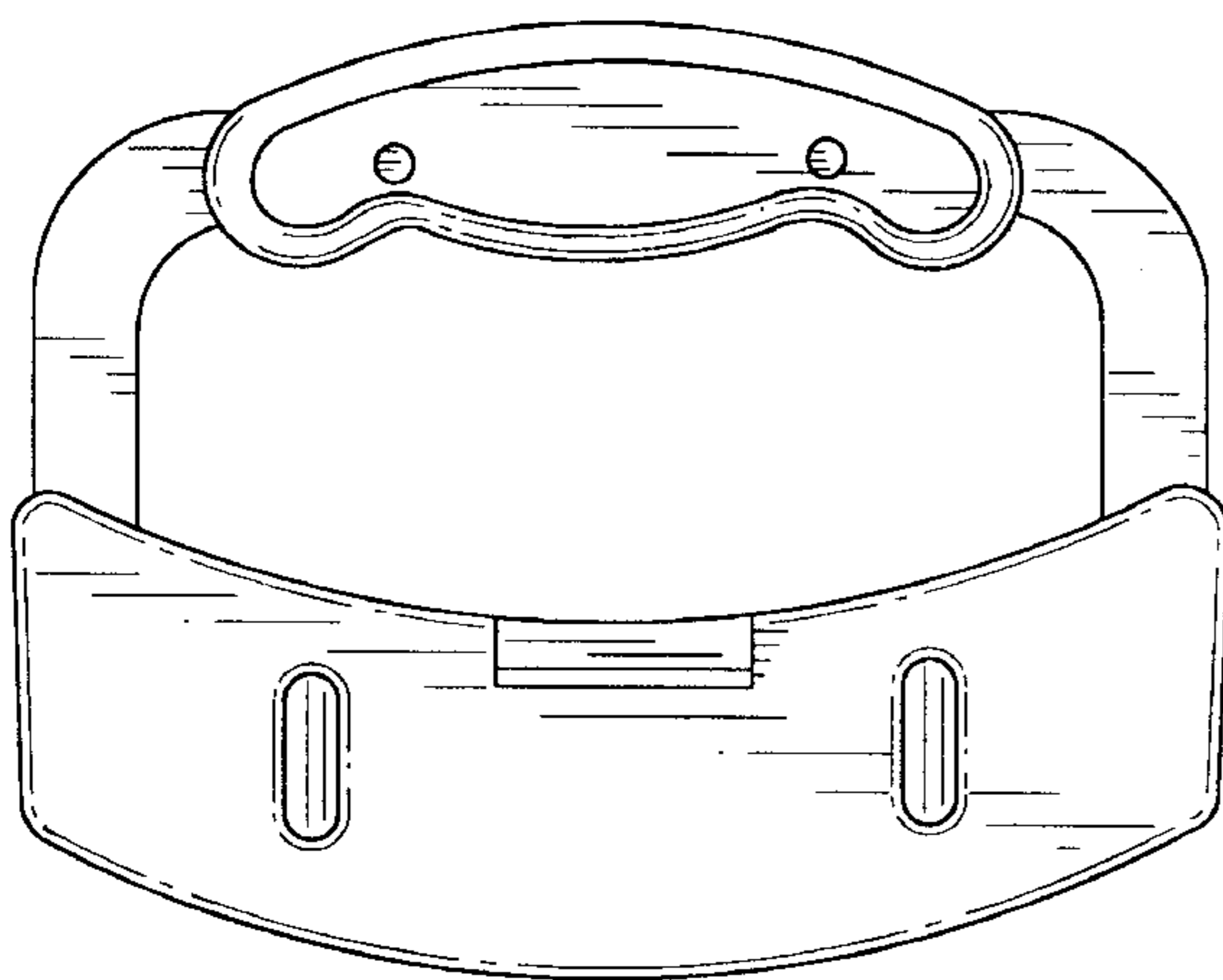
(57) **CLAIM**

The ornamental design for a cutting tool with sleeve, as shown and described.

DESCRIPTION

FIG. 1 is a front elevation view of a cutting tool with sleeve showing my new design, the rear view being a mirror image; FIG. 2 is a side elevation view thereof, the opposite side being a mirror image; FIG. 3 is a top plan view thereof; FIG. 4 is a bottom plan view thereof; FIG. 5 is a perspective view of the cutting tool shown separately for clarity of illustration; FIG. 6 is a front elevation view of FIG. 5; FIG. 7 is a rear elevation view of FIG. 5; FIG. 8 is a top plan view of FIG. 5; FIG. 9 is a bottom plan view of FIG. 5; FIG. 10 is a side elevation view FIG. 5; FIG. 11 is an opposite side view of FIG. 5; FIG. 12 is a front elevation view of the sleeve shown separately for clarity of illustration, the rear view being a mirror image; FIG. 13 is a side elevation view of FIG. 12, the opposite side being a mirror image; FIG. 14 is a top plan view of FIG. 12; and, FIG. 15 is a bottom plan view of FIG. 12.

1 Claim, 3 Drawing Sheets



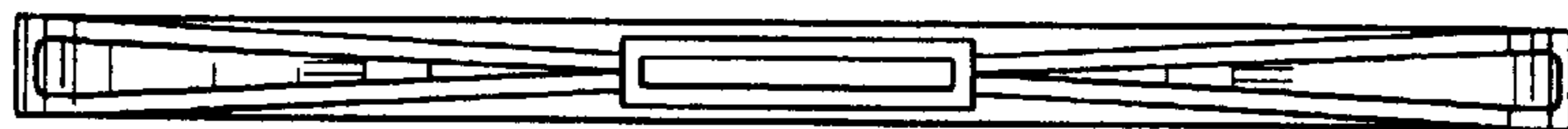


FIG. 14



FIG. 15

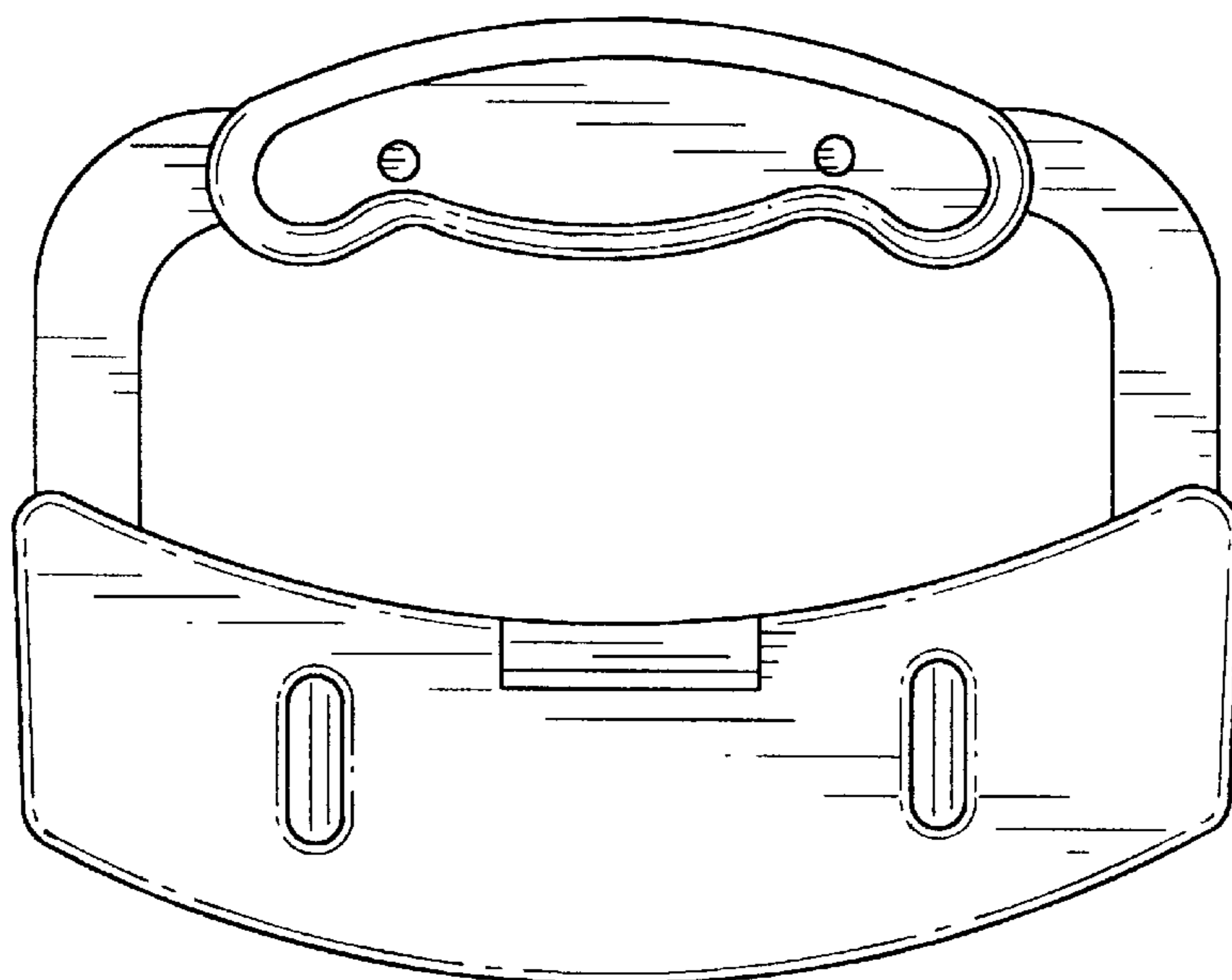


FIG. 1

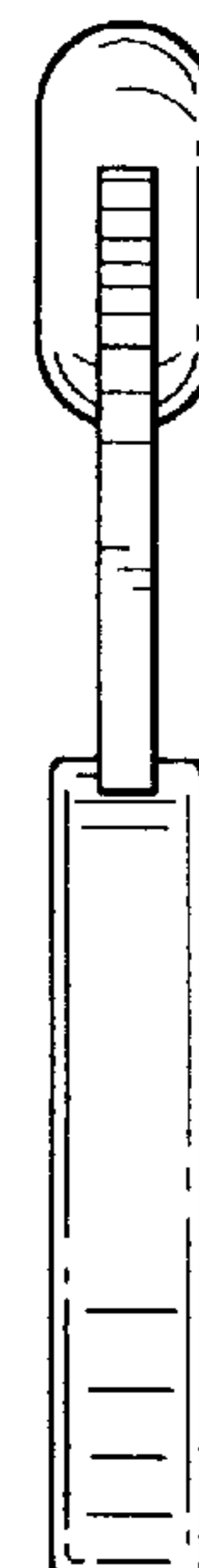


FIG. 2



FIG. 3

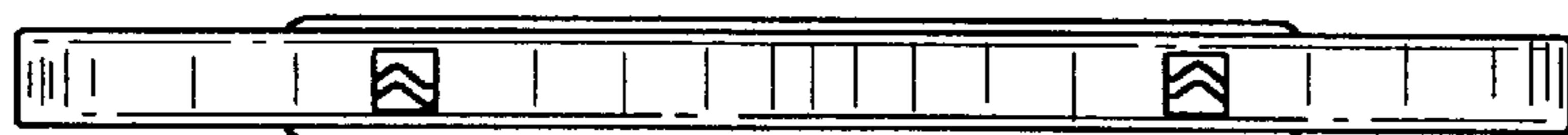


FIG. 4

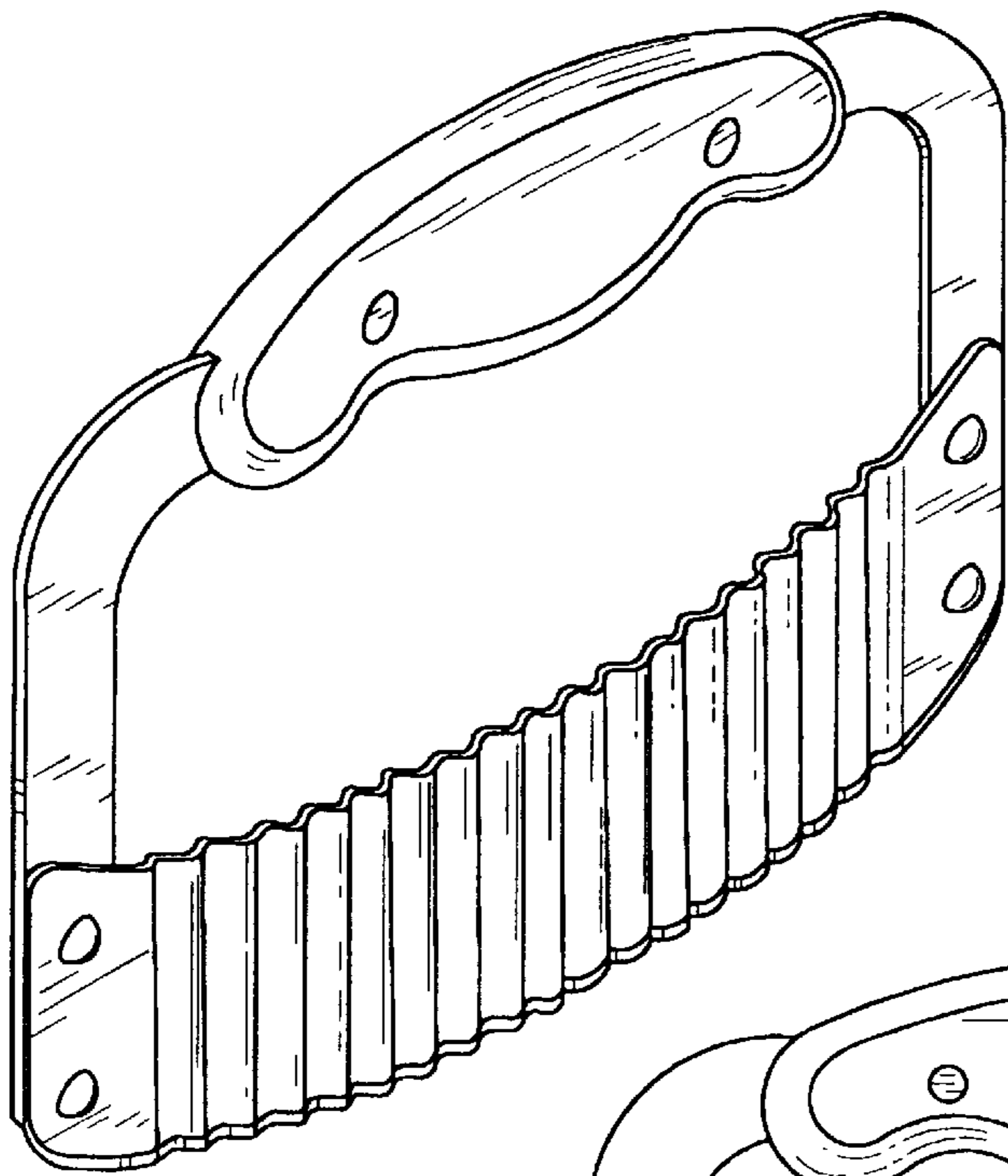


FIG. 5

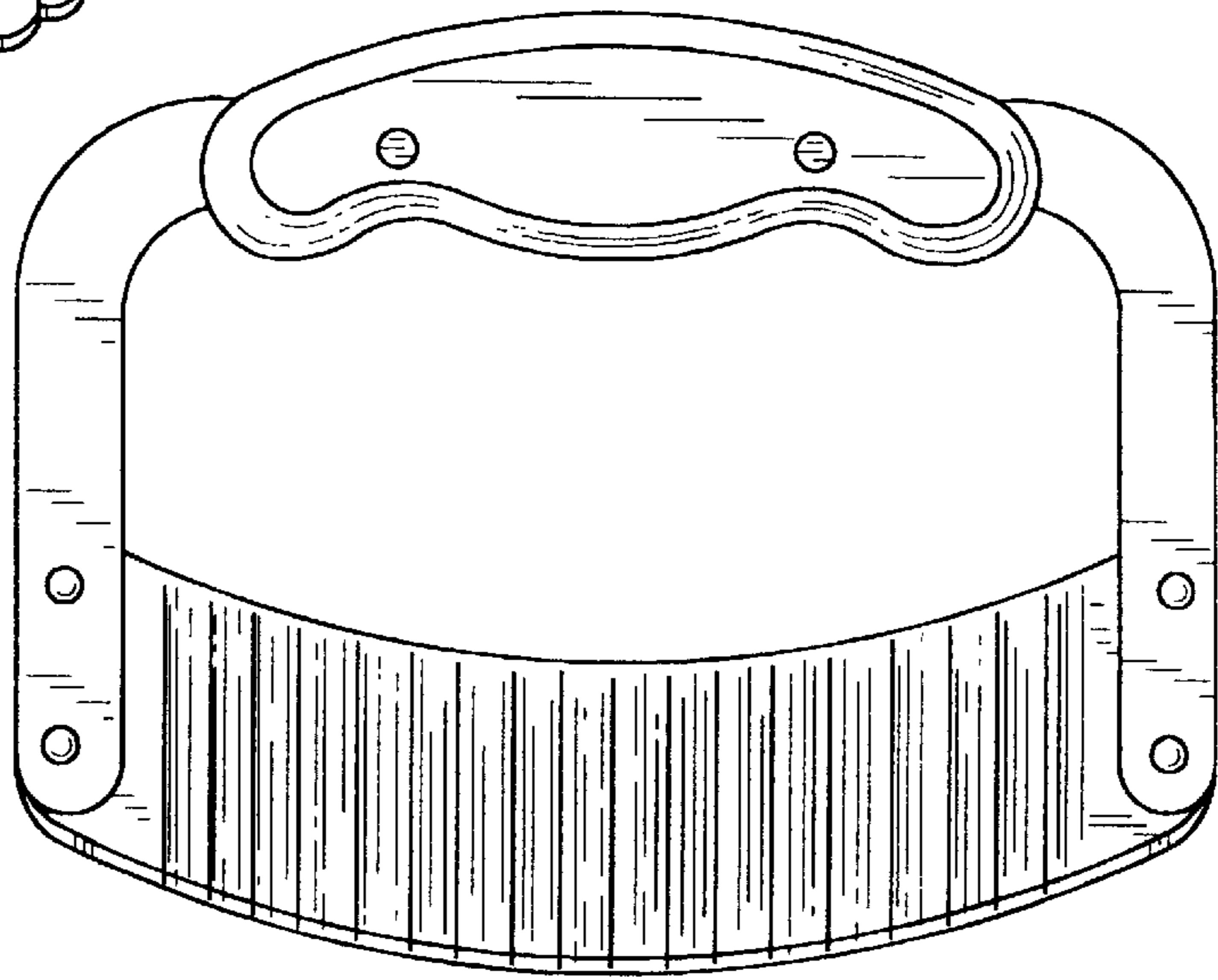


FIG. 6

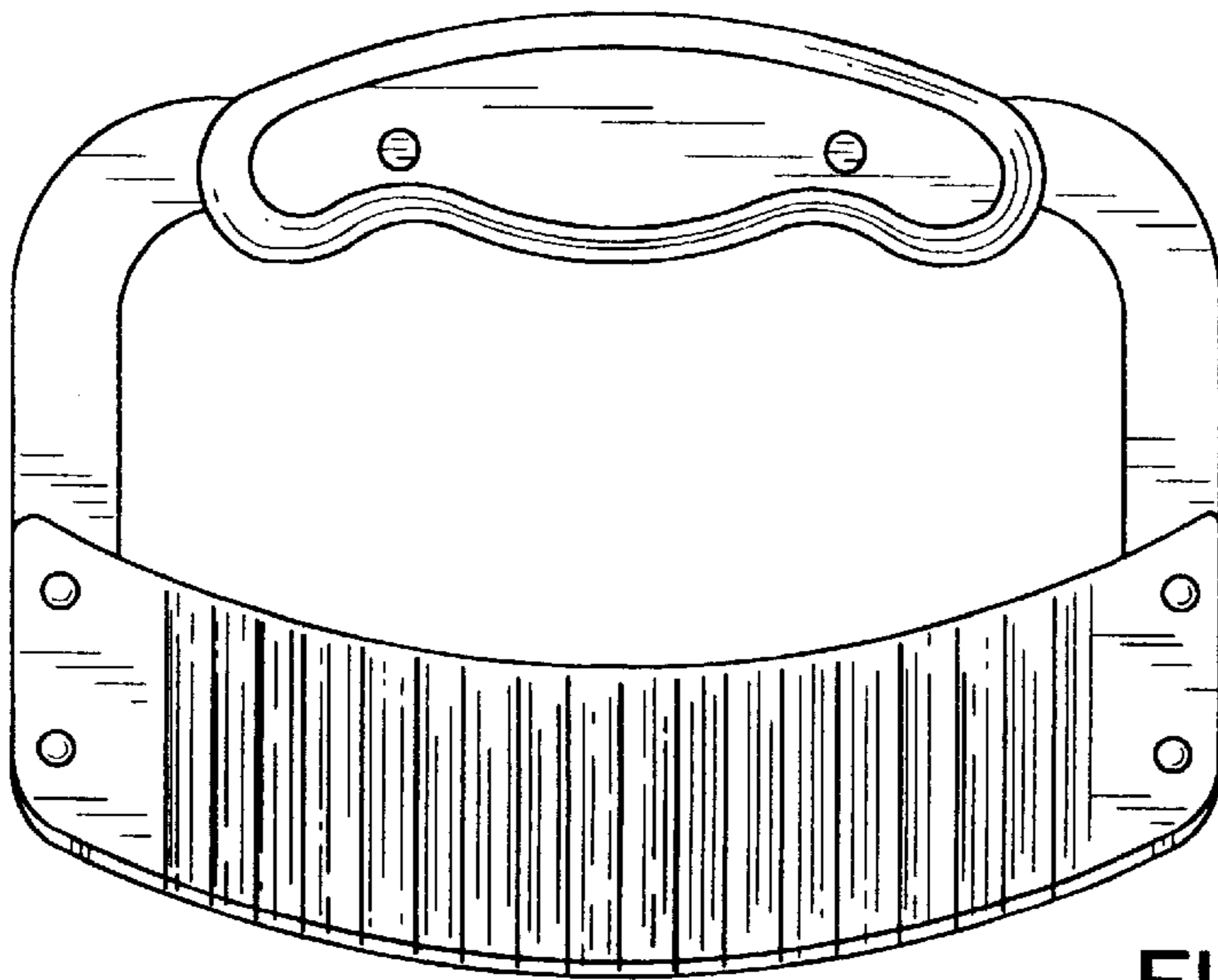


FIG. 7

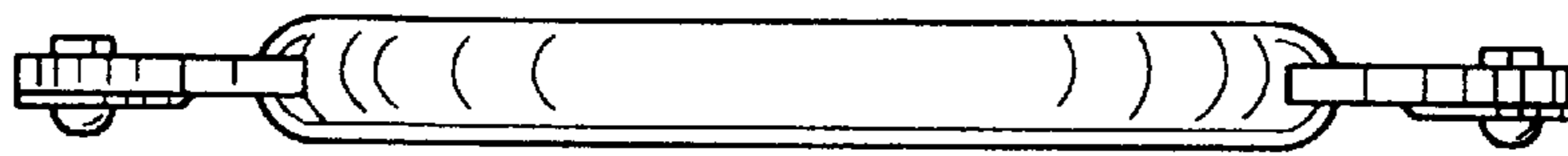


FIG. 8



FIG. 9

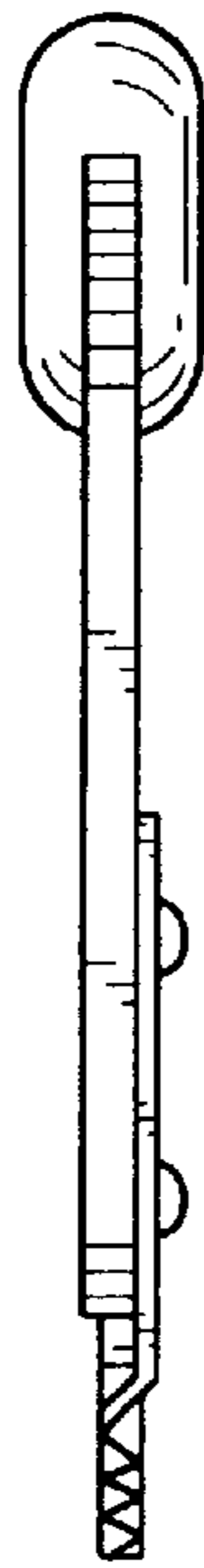


FIG. 10

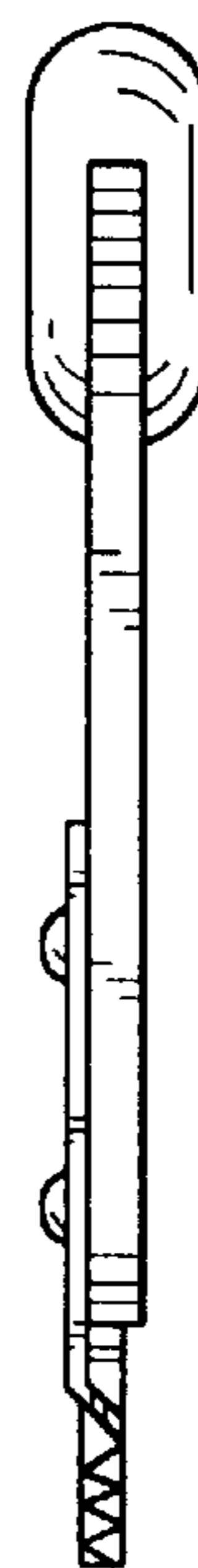


FIG. 11

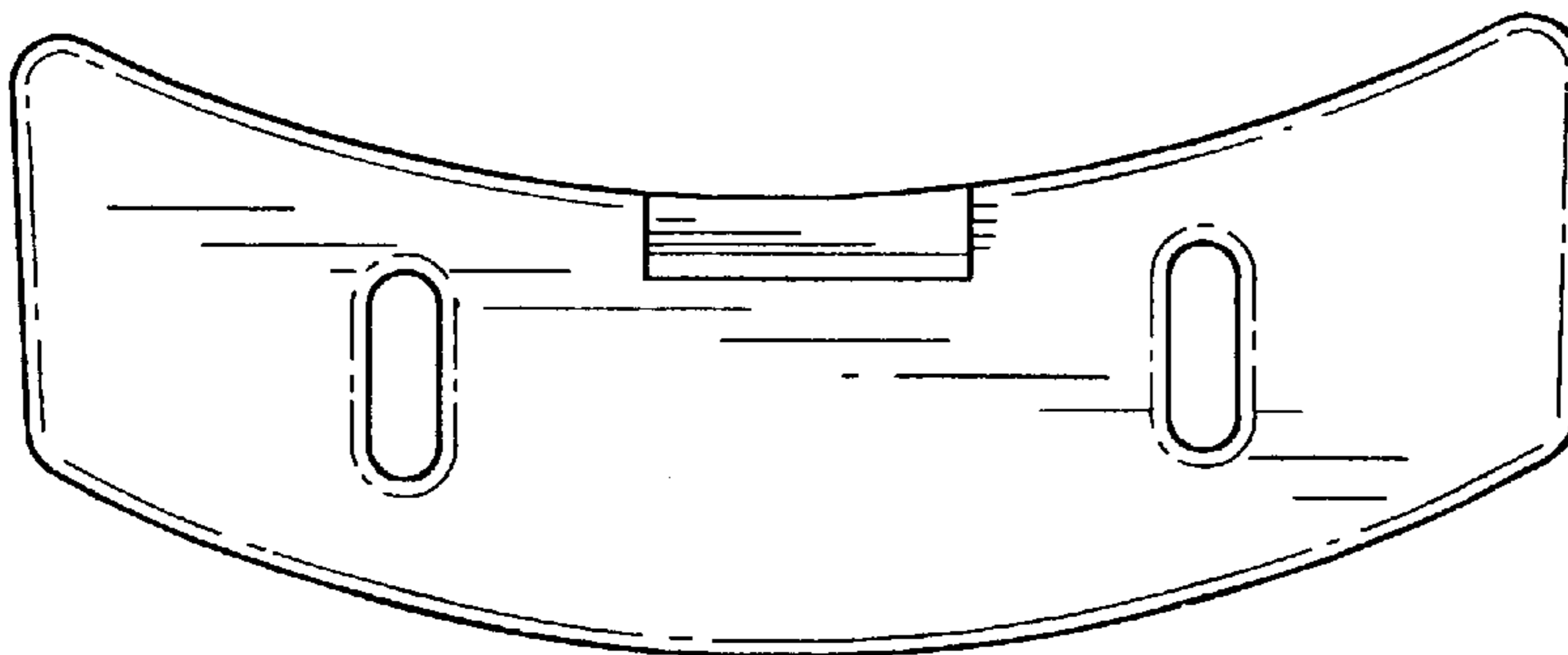


FIG. 12



FIG. 13