



US00D457789S

(12) **United States Design Patent**
Rowe et al.

(10) **Patent No.:** **US D457,789 S**

(45) **Date of Patent:** **** May 28, 2002**

(54) **TONGS WITH ERGONOMIC HANDLE**

D392,849 S * 3/1998 Zeller D7/686

(75) Inventors: **Mike Rowe**, Dayton, OH (US);
Andrew Kahler, Fortson, GA (US);
Alan Cummins, Opelika, AL (US)

* cited by examiner

Primary Examiner—Terry A. Wallace
(74) *Attorney, Agent, or Firm*—James W. Kayden; Thomas,
Kayden, Horstemeyer & Risley

(73) Assignee: **W. C. Bradley Company**, Columbus,
GA (US)

(57) **CLAIM**

(**) Term: **14 Years**

The ornamental design of tongs with ergonomic handle, as shown and described.

(21) Appl. No.: **29/142,346**

DESCRIPTION

(22) Filed: **May 23, 2001**

(51) **LOC (7) Cl.** **07-06**

(52) **U.S. Cl.** **D7/686**

(58) **Field of Search** D7/683, 686, 687;
294/3, 8.5, 11, 16, 99.1, 99.2, 118, 119

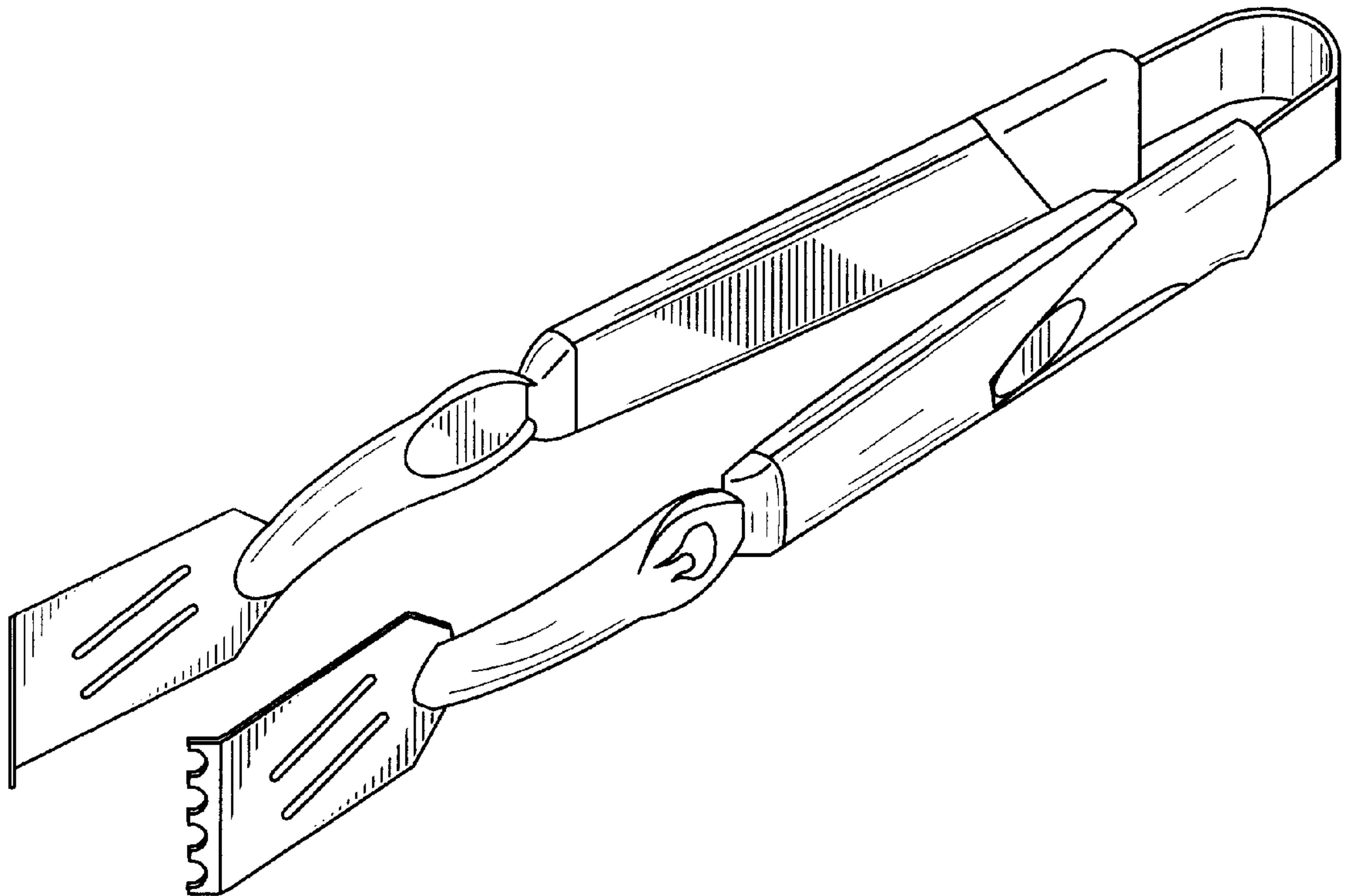
FIG. 1 is a perspective view of our new tongs with ergonomic handle;
FIG. 2 is a right side elevational view thereof, the left side being a mirror image thereof;
FIG. 3 is a top plan view thereof;
FIG. 4 is a bottom plan view thereof;
FIG. 5 is a front elevational view thereof; and,
FIG. 6 is a rear elevational view thereof.

(56) **References Cited**

U.S. PATENT DOCUMENTS

D313,537 S * 1/1991 Chisholm D7/686

1 Claim, 2 Drawing Sheets



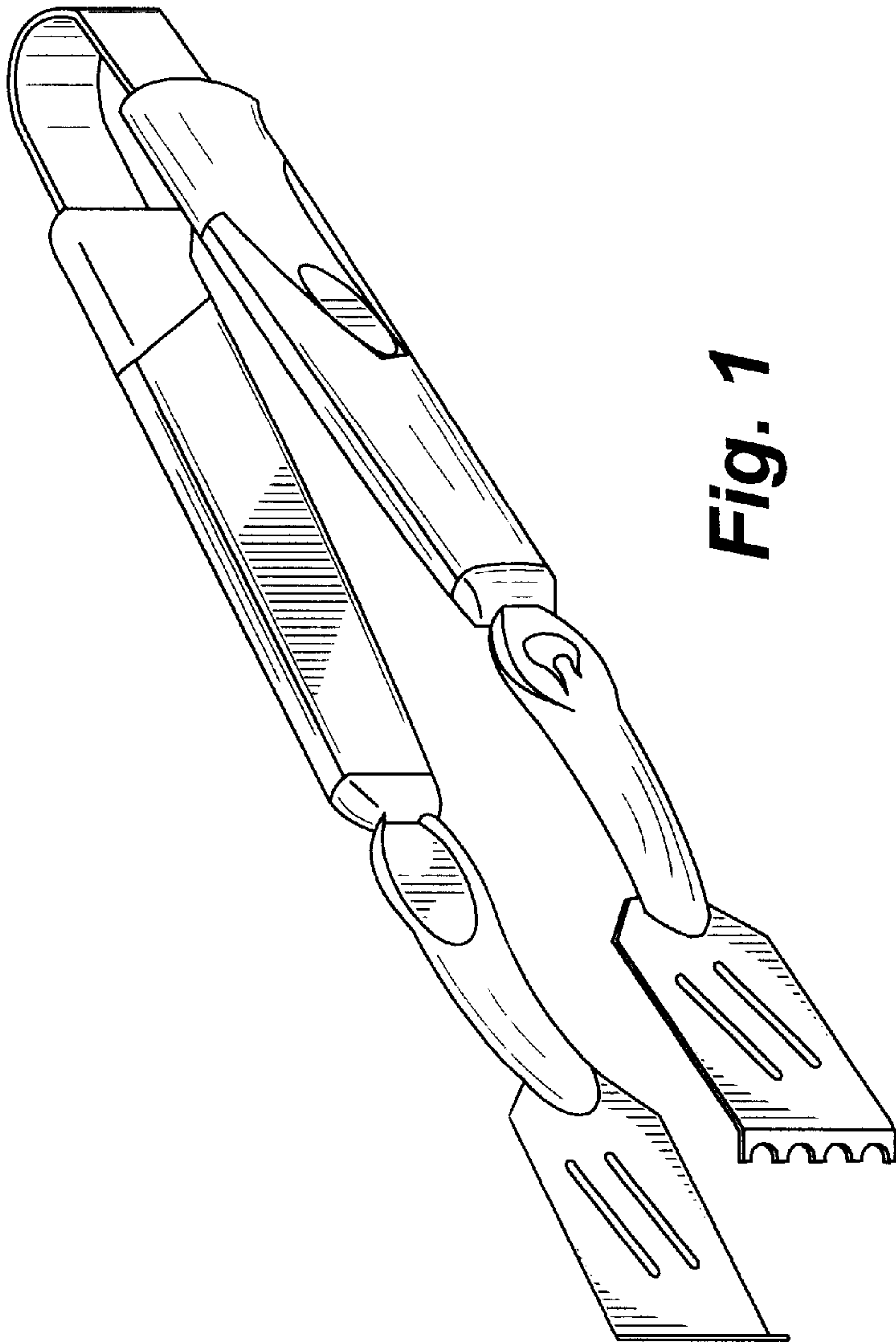


Fig. 1

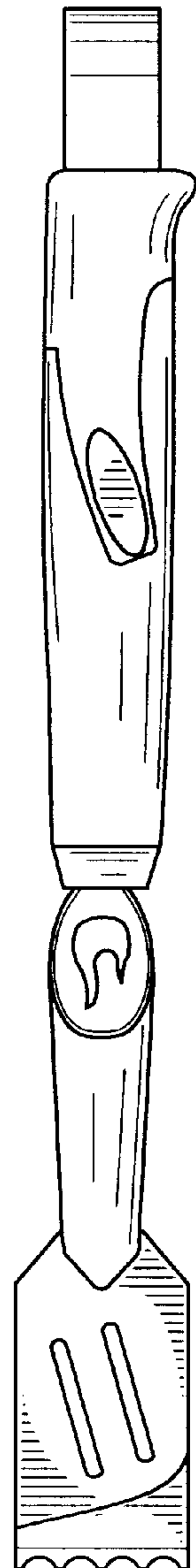


Fig. 2

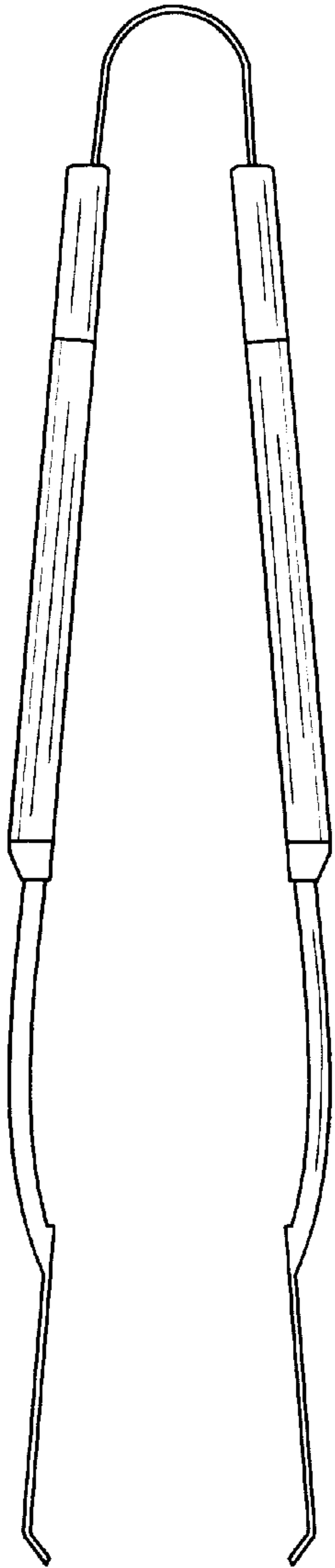


Fig. 3

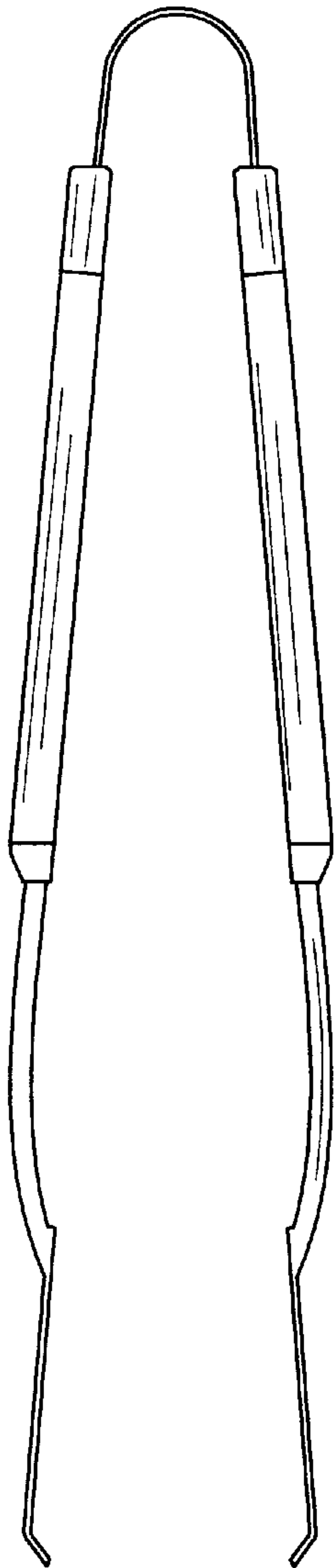


Fig. 4

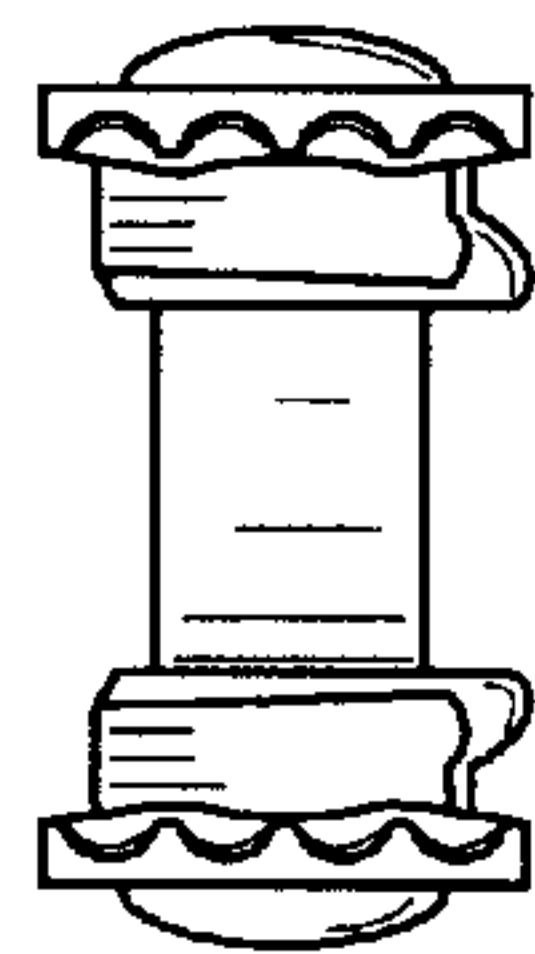


Fig. 5

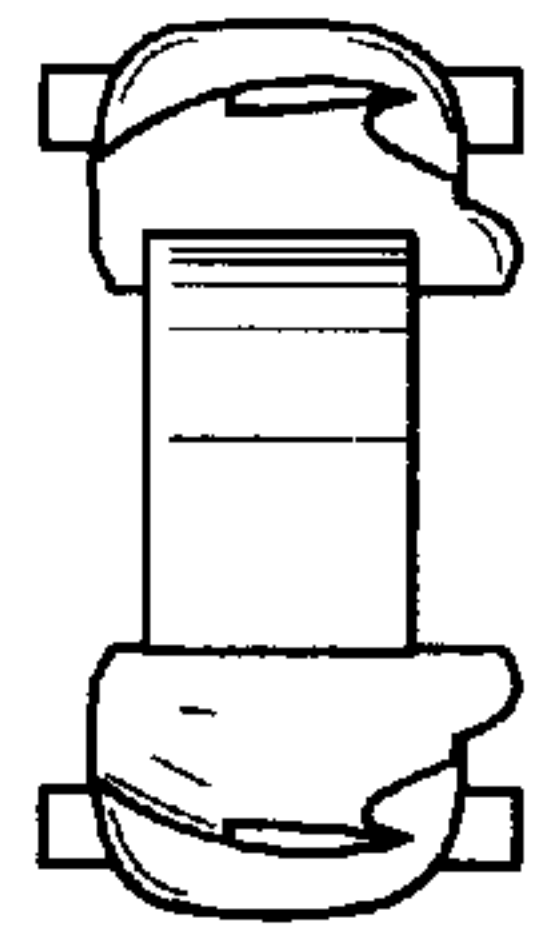


Fig. 6