



US00D457787S

(12) **United States Design Patent**  
**Liu**

(10) **Patent No.:** **US D457,787 S**

(45) **Date of Patent:** **\*\* May 28, 2002**

(54) **COLANDER WITH UNDULATING BASE**

6,039,887 A 3/2000 Licari ..... 210/800

(75) Inventor: **Anita Suk Ping Liu**, Orlando, FL (US)

(73) Assignee: **Dart Industries Inc.**, Orlando, FL (US)

(\*\*) Term: **14 Years**

(21) Appl. No.: **29/143,408**

(22) Filed: **Jun. 13, 2001**

(51) **LOC (7) Cl.** ..... **07-04**

(52) **U.S. Cl.** ..... **D7/667**

(58) **Field of Search** ..... D7/667, 668, 400;  
210/464-466, 469, 470-474, 482, 495,  
497.01, 498, 800; 99/499

(56) **References Cited**

**U.S. PATENT DOCUMENTS**

D199,320 S	10/1964	Swett	
3,749,001 A	7/1973	Swett	
D237,032 S	10/1975	Montesi	
4,452,581 A	6/1984	Panehal	
D314,315 S	* 2/1991	Darnell	..... D7/667
D327,605 S	7/1992	Daenen et al.	
D327,608 S	7/1992	Daenen et al.	
D334,691 S	4/1993	Feer	
D358,533 S	5/1995	Cousins et al.	
D359,887 S	* 7/1995	Hasuike	..... D7/667
D361,477 S	8/1995	Licari	
D378,565 S	3/1997	Cousins	..... D7/667
D378,566 S	3/1997	Cousins	..... D7/667
D379,289 S	5/1997	Jeppesen et al.	..... D7/667

**OTHER PUBLICATIONS**

Artef de Alam—Aalse S.A. C.V.—Strainer #1; Strainer #2; Strainer #3; Strainer #4; Strainer #5; Strainer #6.

Tupperware—1 Quart Strainer #1; Strainer #2; Strainer #3; Strainer #4; Strainer #5; Strainer #6; Strainer #7.

Plasticos—Strainer #1; Strainer #2; Strainer #3; Strainer #4; Strainer #5; Strainer #6; Strainer #7.

Norditalia—Strainer #1; Strainer #2; Strainer #2; Strainer #4; Strainer #5; Strainer #6.

\* cited by examiner

*Primary Examiner*—Terry A. Wallace

(74) *Attorney, Agent, or Firm*—Taylor J. Ross

(57) **CLAIM**

The ornamental design for a colander with undulating base, as shown and described.

**DESCRIPTION**

FIG. 1 is a top, side and front perspective view of a colander with undulating base showing the new design;

FIG. 2 is a right elevation view thereof;

FIG. 3 is a left side elevation view thereof;

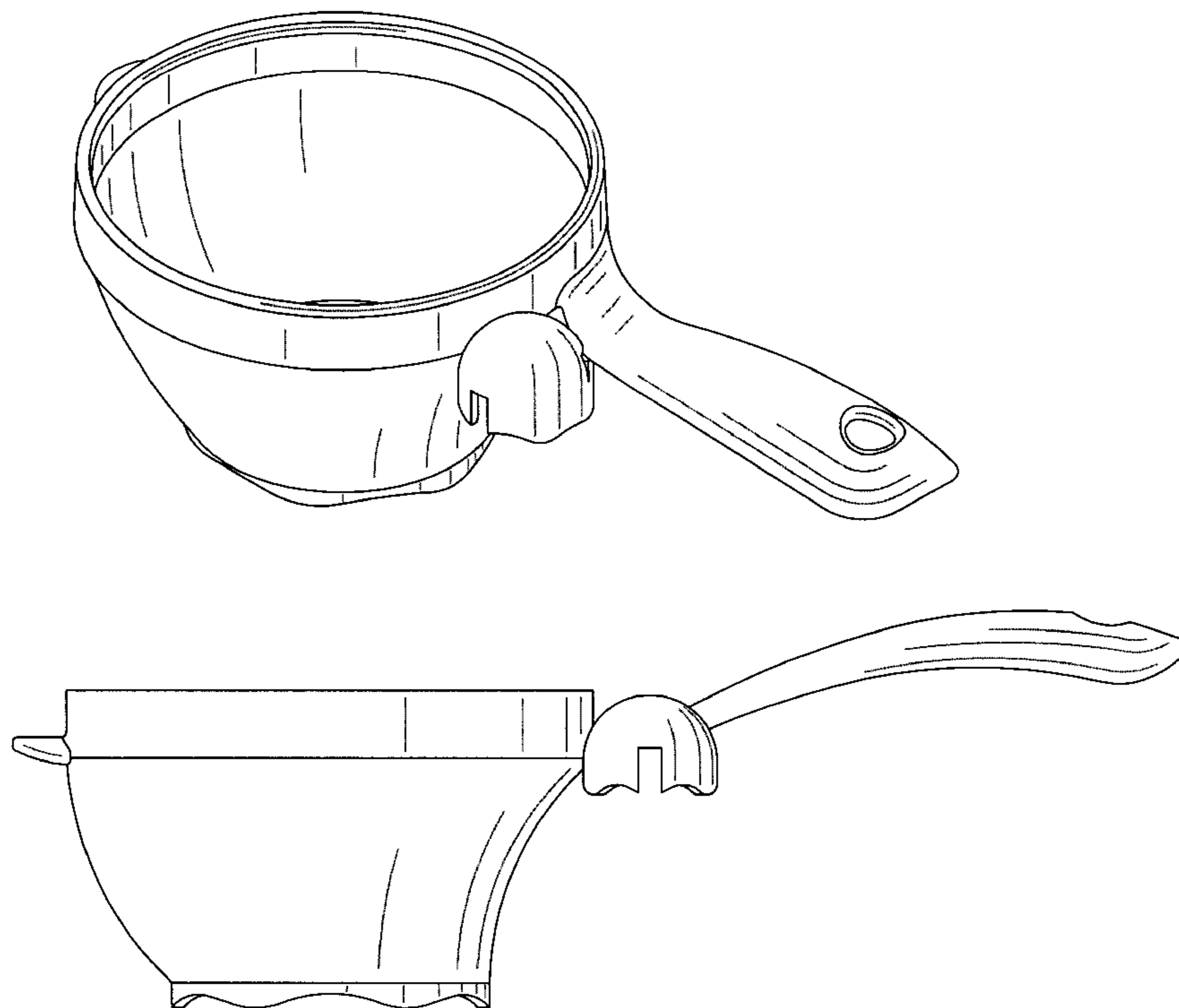
FIG. 4 is a rear elevation view thereof;

FIG. 5 is a front elevation view thereof;

FIG. 6 is a top plan view thereof; and,

FIG. 7 is a bottom plan view thereof.

**1 Claim, 3 Drawing Sheets**



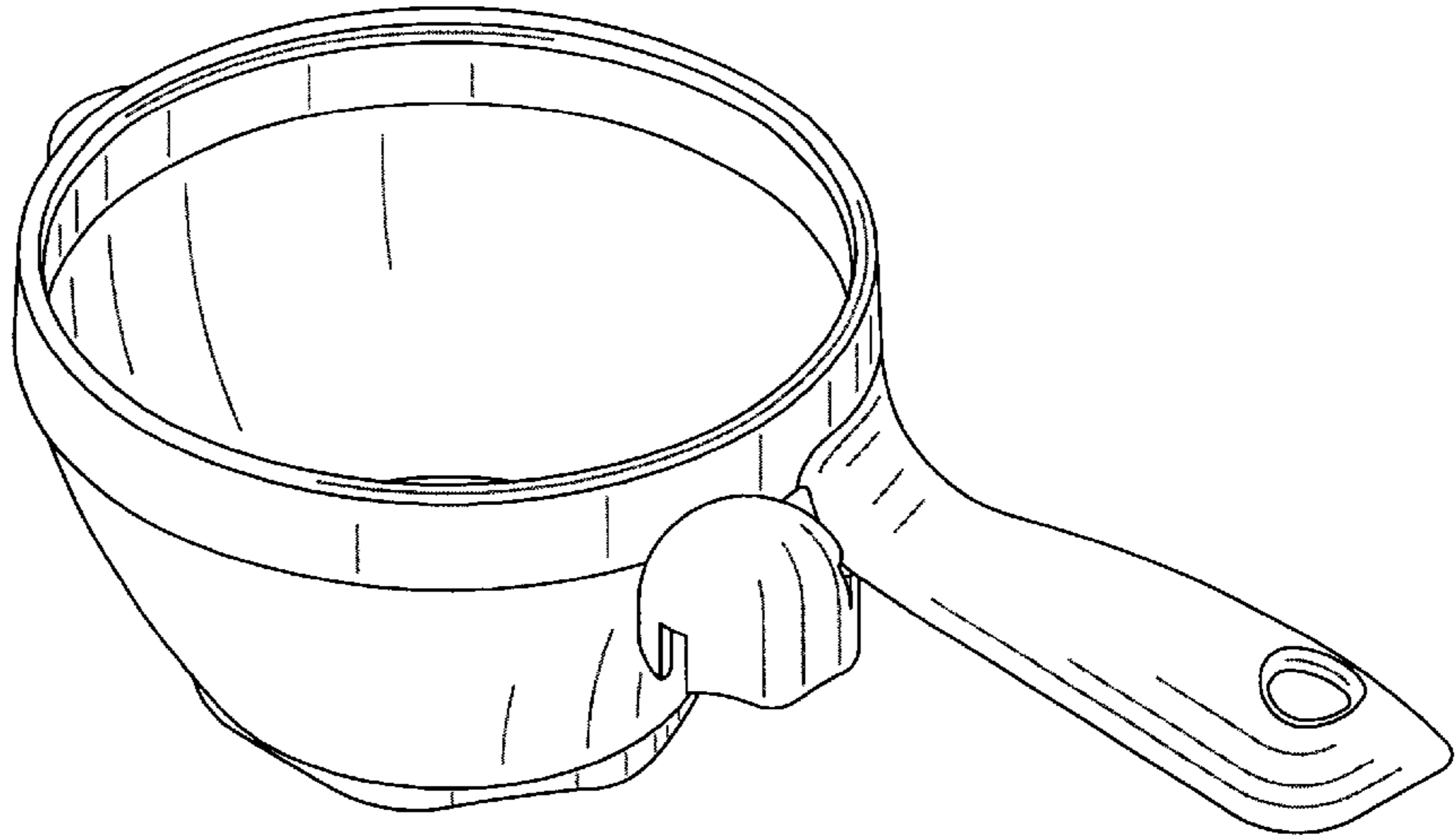


FIG. 1

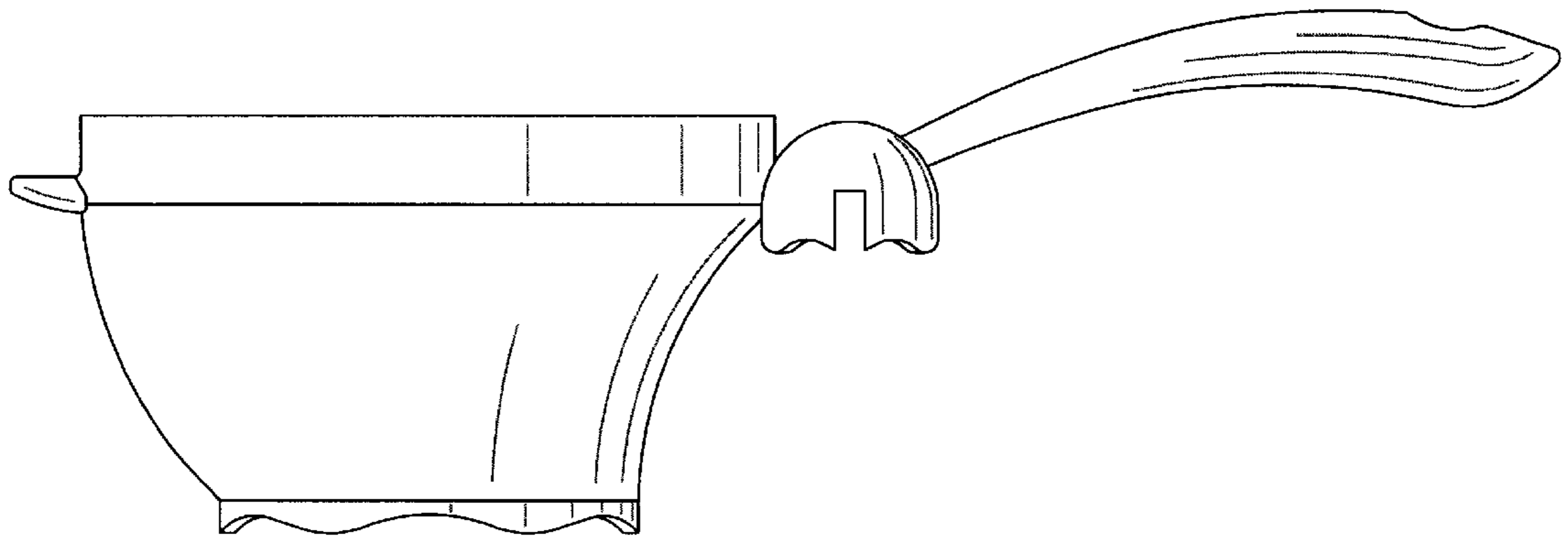


FIG. 2

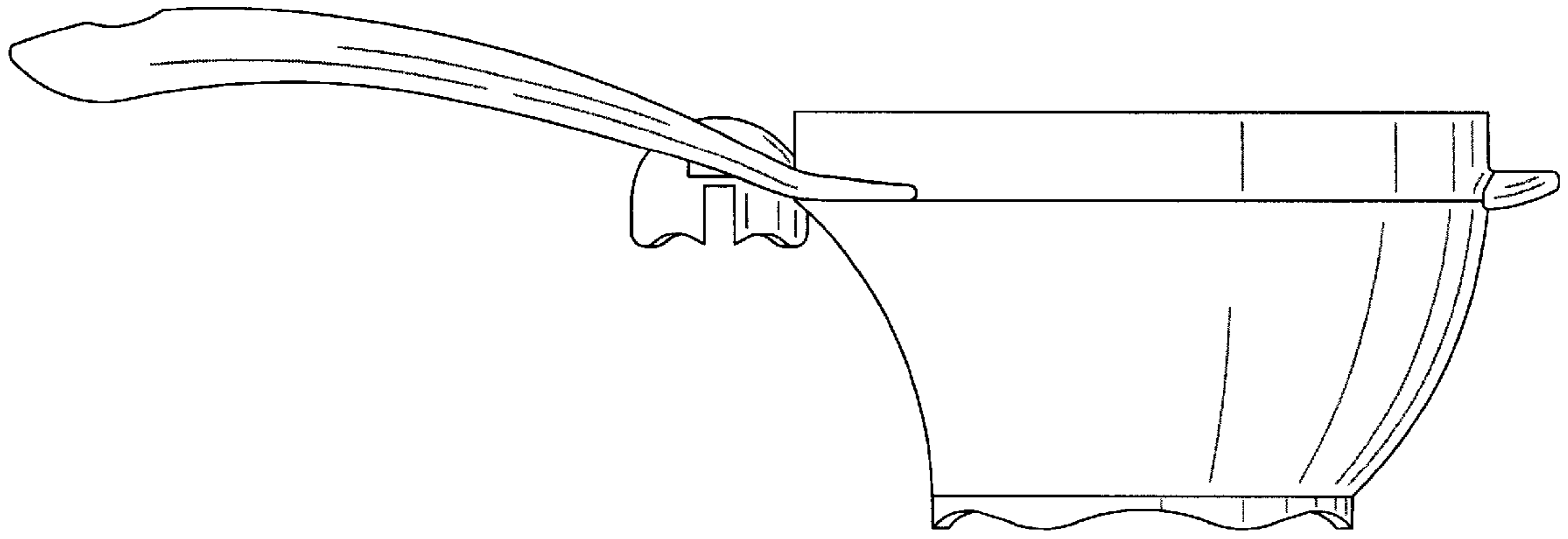


FIG. 3

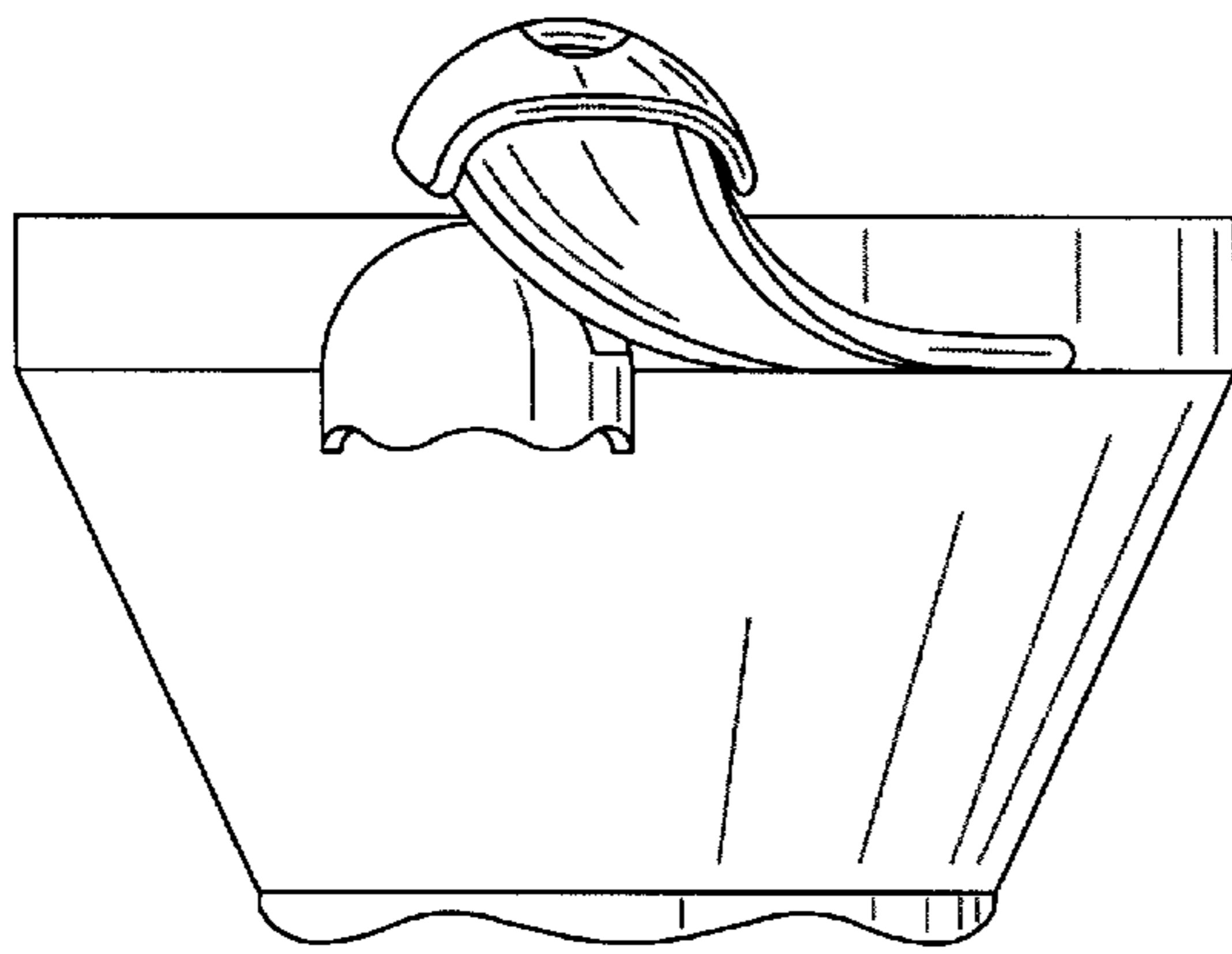


FIG. 4

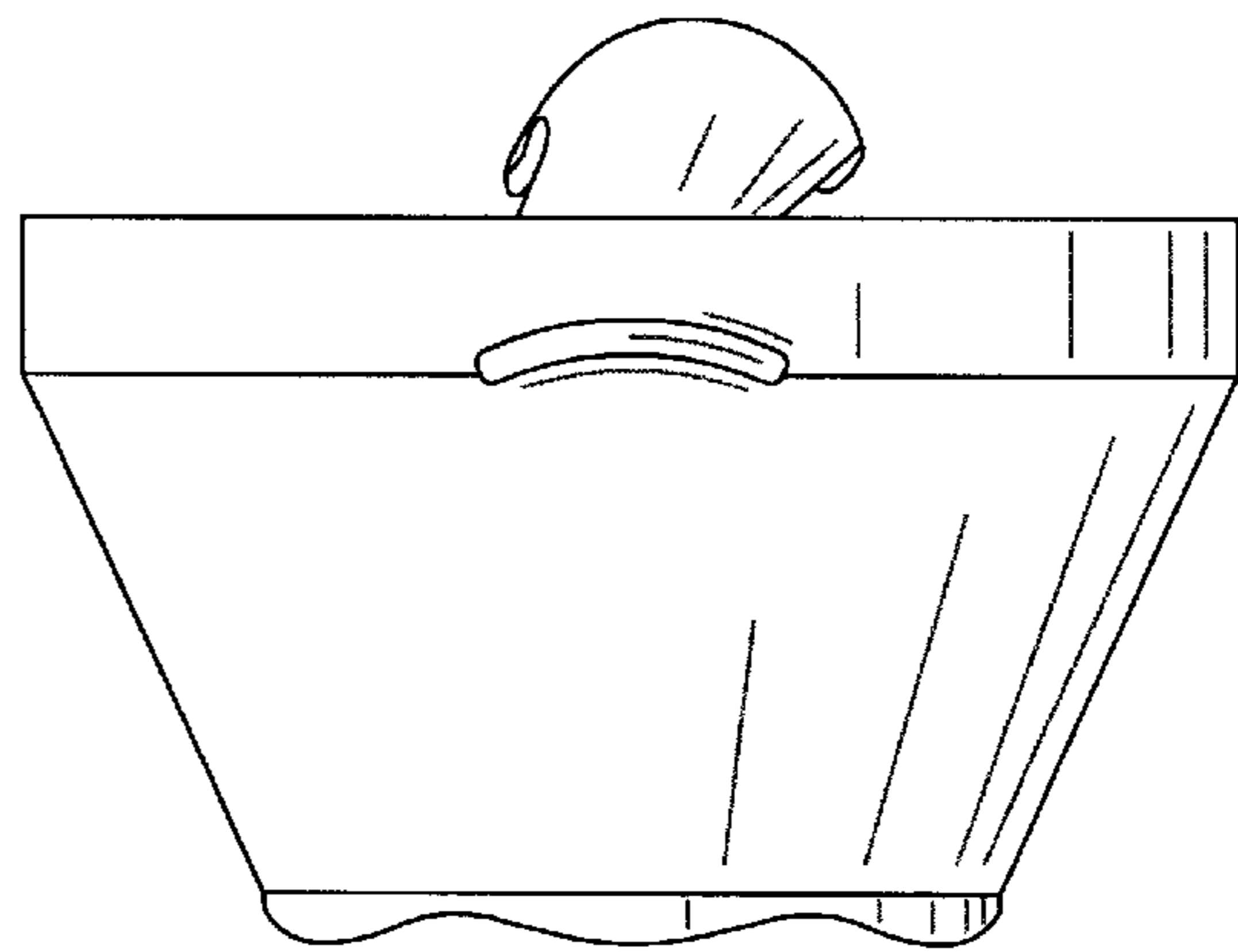


FIG. 5

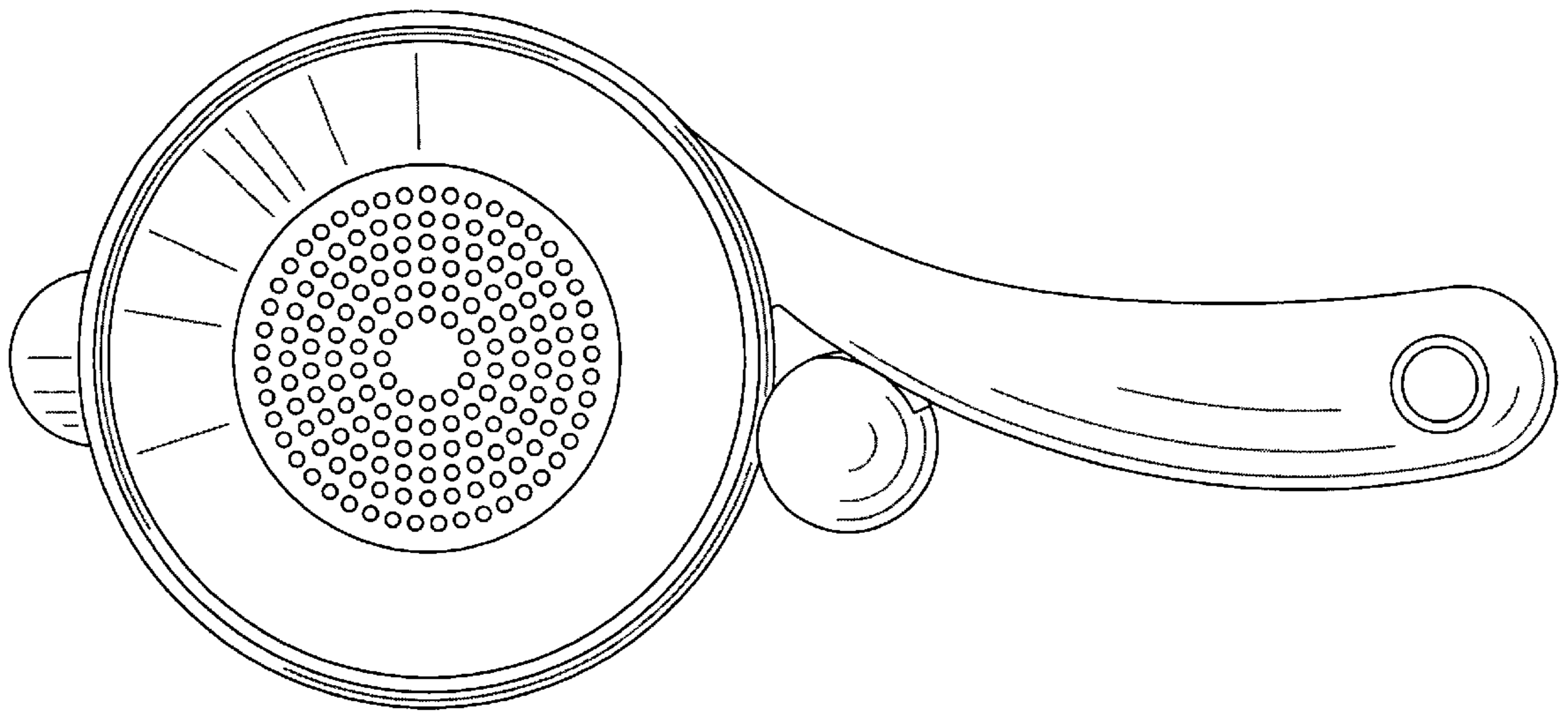


FIG. 6

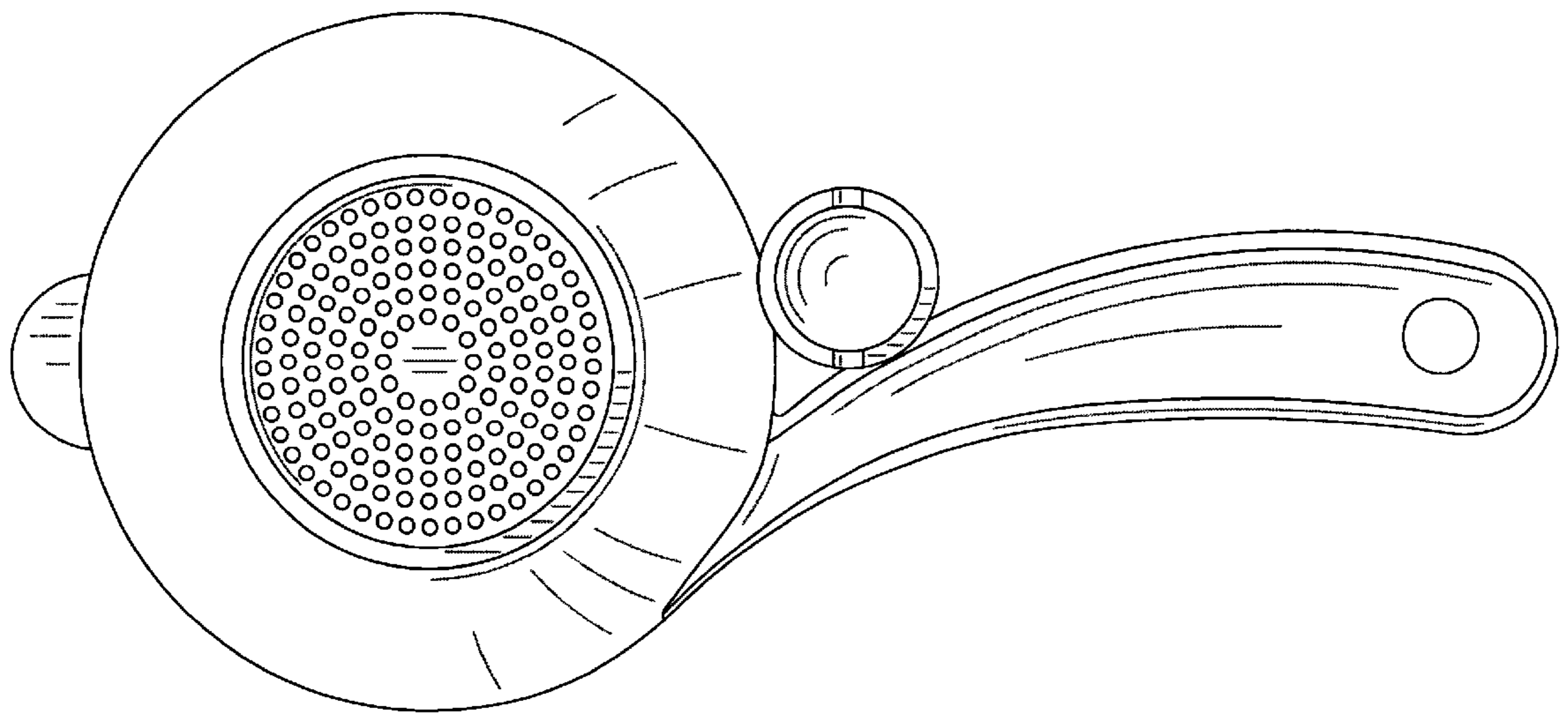


FIG. 7