



US00D457784S

(12) **United States Design Patent**  
Torniainen et al.

(10) **Patent No.:** **US D457,784 S**

(45) **Date of Patent:** **\*\* May 28, 2002**

- (54) **MICROWAVE COOKING TRAY**
- (75) Inventors: **Paul M. Torniainen**, Plymouth; **Arne H. Brauner**, Minnetonka, both of MN (US)
- (73) Assignee: **General Mills, Inc.**, Minneapolis, MN (US)
- (\*\*) Term: **14 Years**
- (21) Appl. No.: **29/140,069**
- (22) Filed: **Apr. 11, 2001**
- (51) **LOC (7) Cl.** ..... **07-01**
- (52) **U.S. Cl.** ..... **D7/552.1; D7/554.3; D7/543**
- (58) **Field of Search** ..... D7/543, 545, 360, D7/586, 587, 552.1, 554.3, 601, 602; 220/657, 573.4, 360; 219/438, 621

- 4,868,360 A 9/1989 Duncan
- D305,086 S \* 12/1989 Stewart ..... D7/545
- D305,393 S \* 1/1990 Stewart ..... D7/360
- 5,004,882 A 4/1991 Nottingham et al.
- 5,203,491 A 4/1993 Marx et al.
- 5,203,836 A 4/1993 Brazi et al.
- 5,672,292 A 9/1997 Villan Otero
- D384,555 S \* 10/1997 Bradley ..... D7/545
- D386,042 S \* 11/1997 Miller ..... D7/396.1
- D399,702 S 10/1998 Mishan
- 5,986,248 A 11/1999 Matsuno et al.
- D417,367 S \* 12/1999 Laib ..... D7/602
- 6,175,105 B1 1/2001 Rubbright et al.
- D442,425 S \* 5/2001 Wyche ..... D7/360
- D443,467 S \* 6/2001 Bradley ..... D7/360
- D445,633 S \* 7/2001 Bradley ..... D7/360

\* cited by examiner

*Primary Examiner*—M. N. Pandozzi

(74) *Attorney, Agent, or Firm*—Timothy A. Czaja; John A. O'Toole; Douglas J. Taylor

(56) **References Cited**

**U.S. PATENT DOCUMENTS**

- D212,821 S \* 11/1968 Benes ..... D7/545
- D231,303 S \* 4/1974 Croyle et al. .... D7/545
- 3,965,323 A 6/1976 Forker, Jr. et al.
- D276,114 S 10/1984 Conti et al.
- 4,478,349 A \* 10/1984 Haverland, Jr. et al. .... 220/410
- D280,175 S 8/1985 Bassett
- 4,542,271 A 9/1985 Tanonis et al.
- 4,558,198 A 12/1985 Levendusky et al.
- D289,844 S 5/1987 Daenen et al.
- 4,689,458 A 8/1987 Levendusky et al.
- 4,701,585 A 10/1987 Stewart
- 4,704,510 A 11/1987 Matsui
- 4,721,499 A 1/1988 Marx et al.
- 4,785,968 A 11/1988 Logan et al.

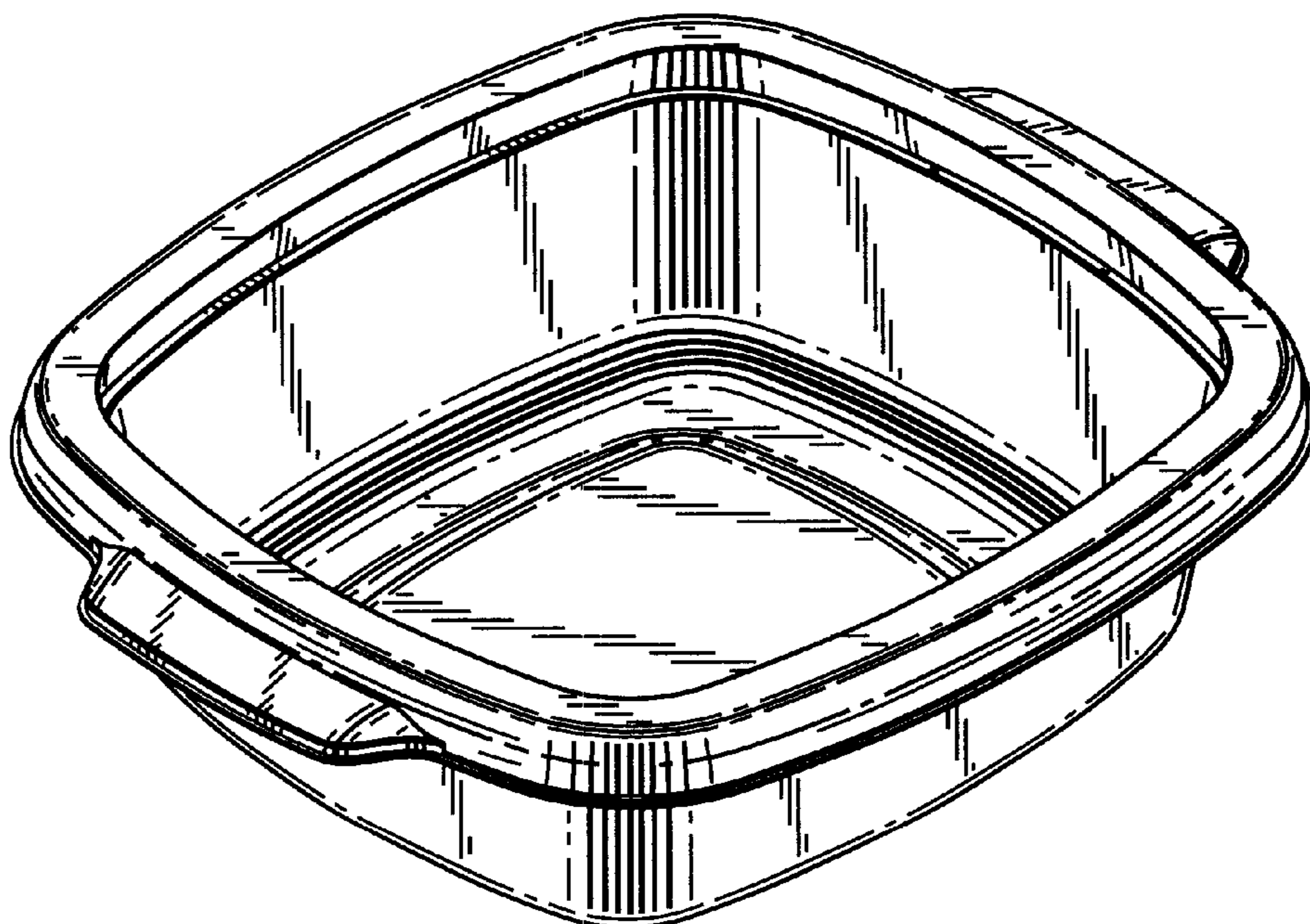
(57) **CLAIM**

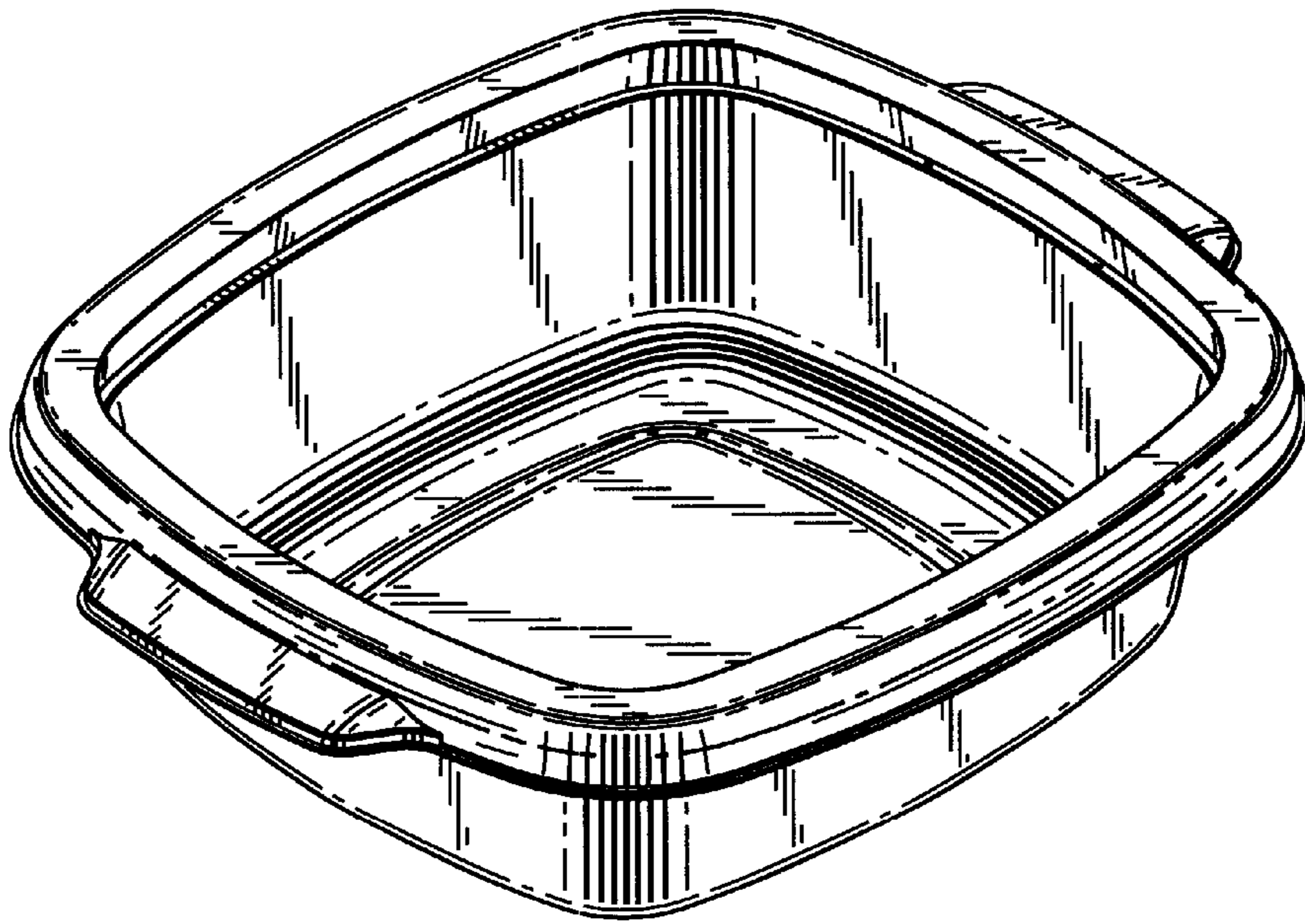
The ornamental design for a microwave cooking tray, as shown and described herein.

**DESCRIPTION**

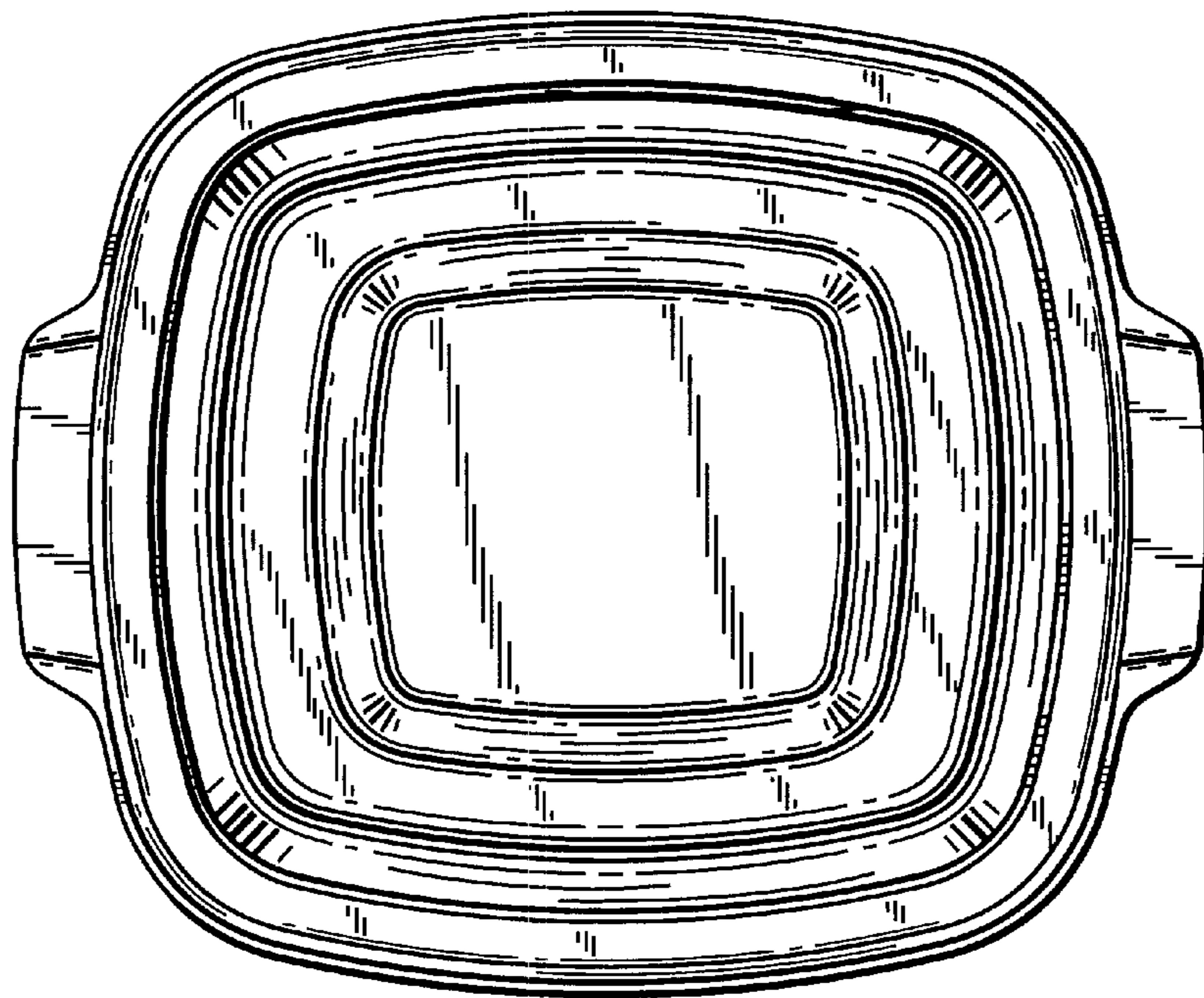
FIG. 1 is a top, isometric view of a microwave cooking tray in accordance with the present invention; FIG. 2 is a top view of the tray of FIG. 1; FIG. 3 is a bottom view of the tray of FIG. 1; FIG. 4 is a side view of the tray of FIG. 1, the opposite side view being identical; and, FIG. 5 is a front view of the tray of FIG. 1, the rear view being identical.

**1 Claim, 3 Drawing Sheets**

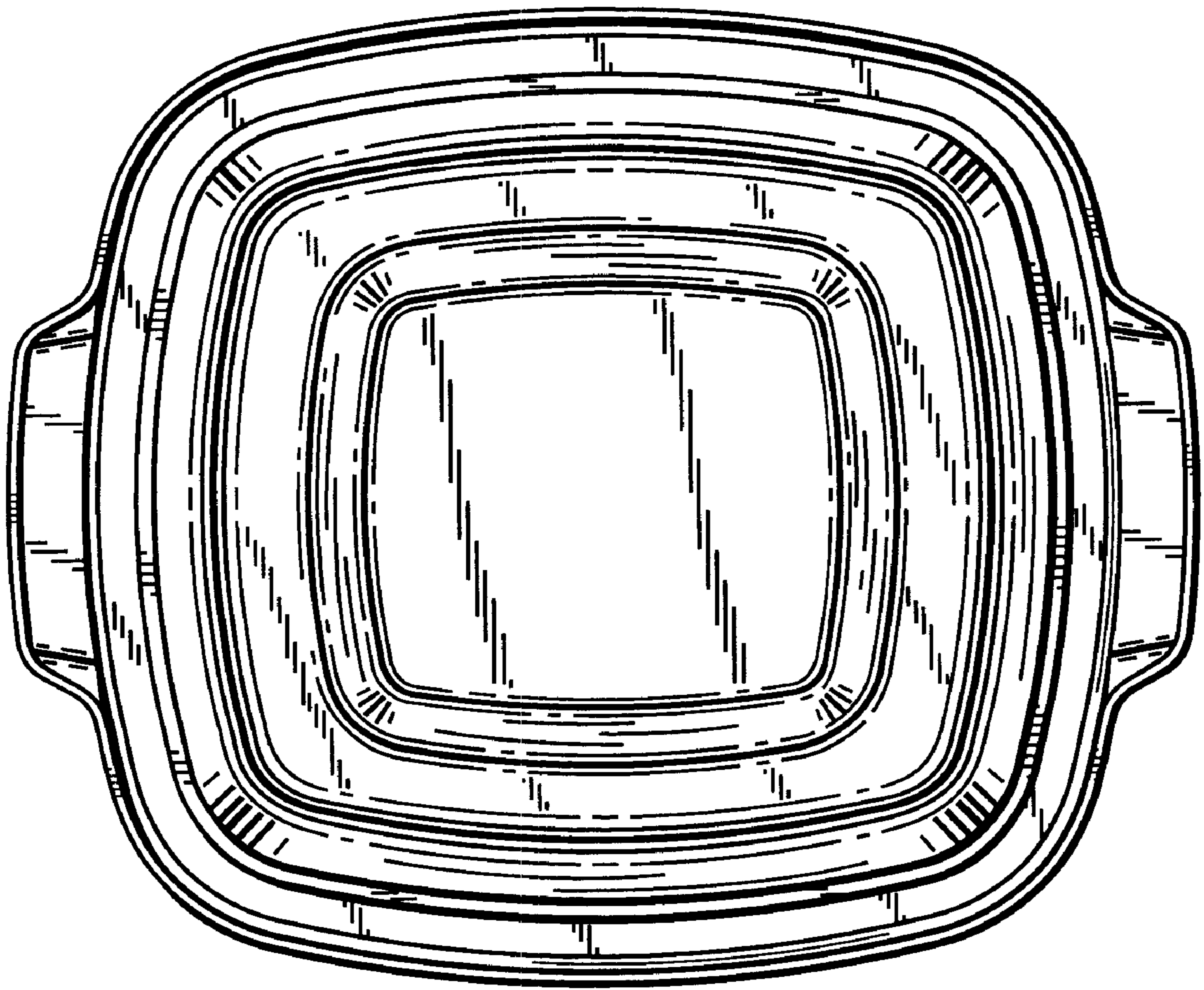




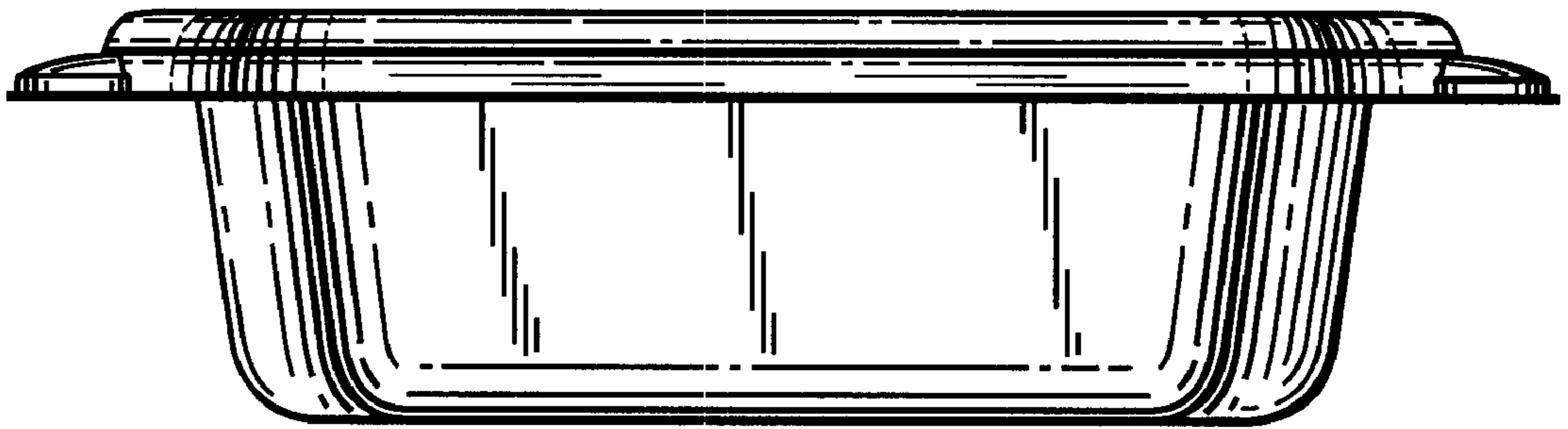
**Fig. 1**



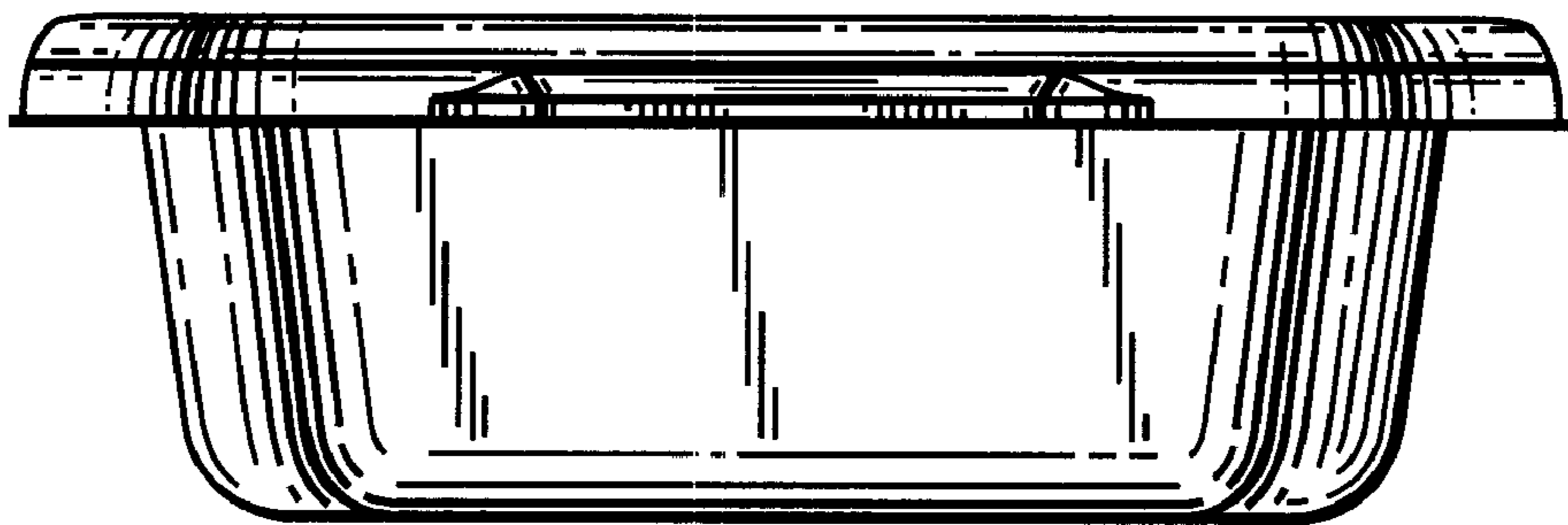
**Fig. 2**



**Fig. 3**



**Fig. 4**



**Fig. 5**