



US00D457778S

(12) **United States Design Patent**
Randolph et al.

(10) **Patent No.:** **US D457,778 S**

(45) **Date of Patent:** **** May 28, 2002**

(54) **SPILL PROOF CUP LID**

D407,269 S * 3/1999 Fletcher D7/511
D419,029 S * 1/2000 Randolph D7/392

(75) Inventors: **Ross Steven Randolph**, Rockaway;
David Carroll Stowers, Morristown,
both of NJ (US)

* cited by examiner

(73) Assignee: **Playtex Products, Inc.**, Westport, CT
(US)

Primary Examiner—Terry A. Wallace
(74) *Attorney, Agent, or Firm*—Ohlandt, Greeley, Ruggiero
& Perle, LLP

(**) Term: **14 Years**

(57) **CLAIM**

(21) Appl. No.: **29/135,725**

The ornamental design for the spill proof cup lid, as shown
and described in the accompanying figures.

(22) Filed: **Jan. 17, 2001**

DESCRIPTION

(51) **LOC (7) Cl.** **07-01**

(52) **U.S. Cl.** **D7/392.1**

(58) **Field of Search** D7/900, 392, 392.1,
D7/396.2, 510, 511; D9/447; 220/705, 709,
711, 713

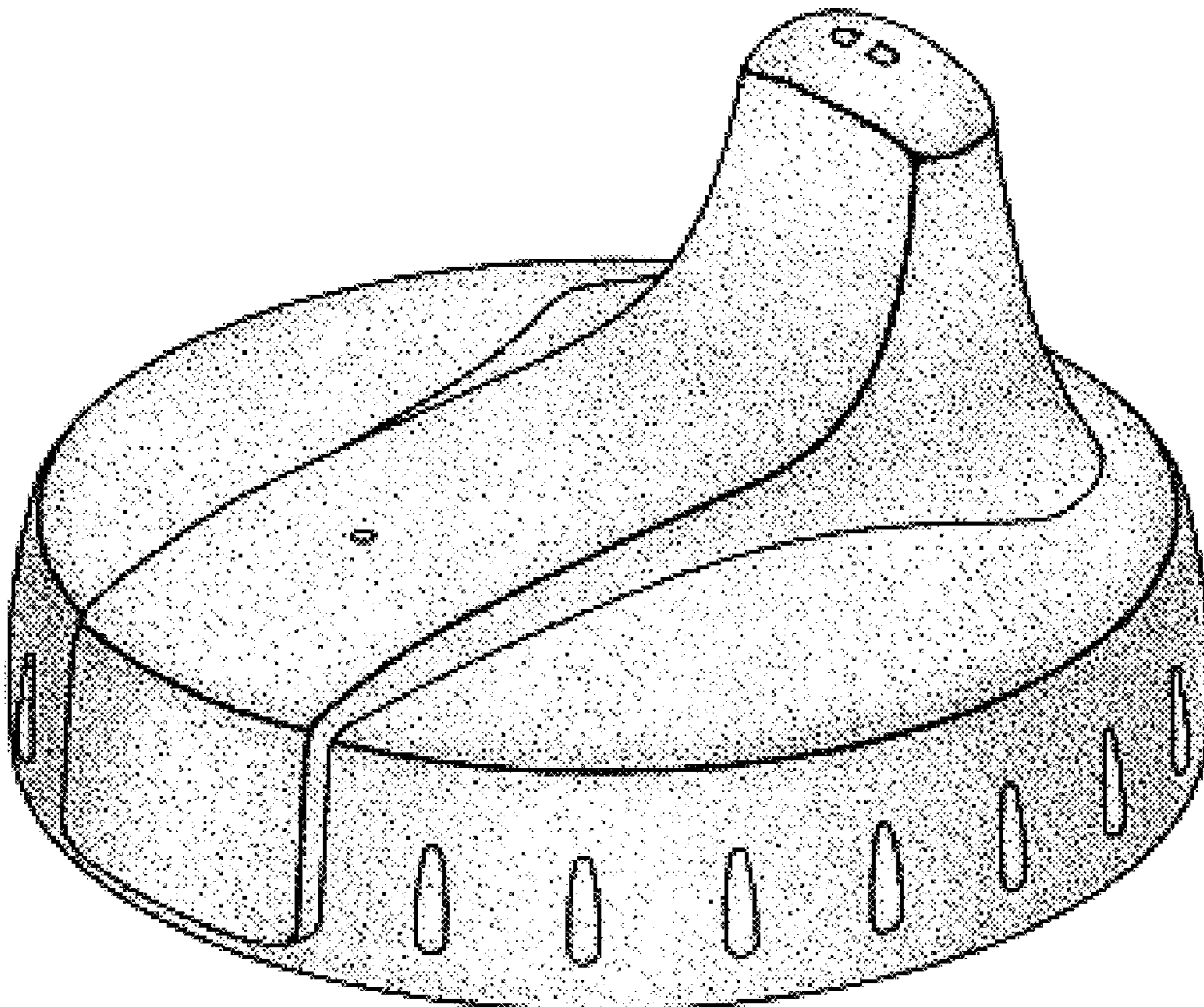
FIG. 1 is a perspective view of a spill proof cup lid according
to the present invention;
FIG. 2 is a first side view of a spill proof cup lid of FIG. 1,
the opposite side being identical thereto;
FIG. 3 is a front view of the spill proof cup lid of FIG. 1;
FIG. 4 is a rear view of the spill proof cup lid of FIG. 1;
FIG. 5 is a top view of the spill proof cup lid of FIG. 1; and,
FIG. 6 is a bottom view of the spill proof cup lid of FIG. 1.

(56) **References Cited**

U.S. PATENT DOCUMENTS

D397,906 S * 9/1998 Briggs et al. D7/392.1

1 Claim, 3 Drawing Sheets



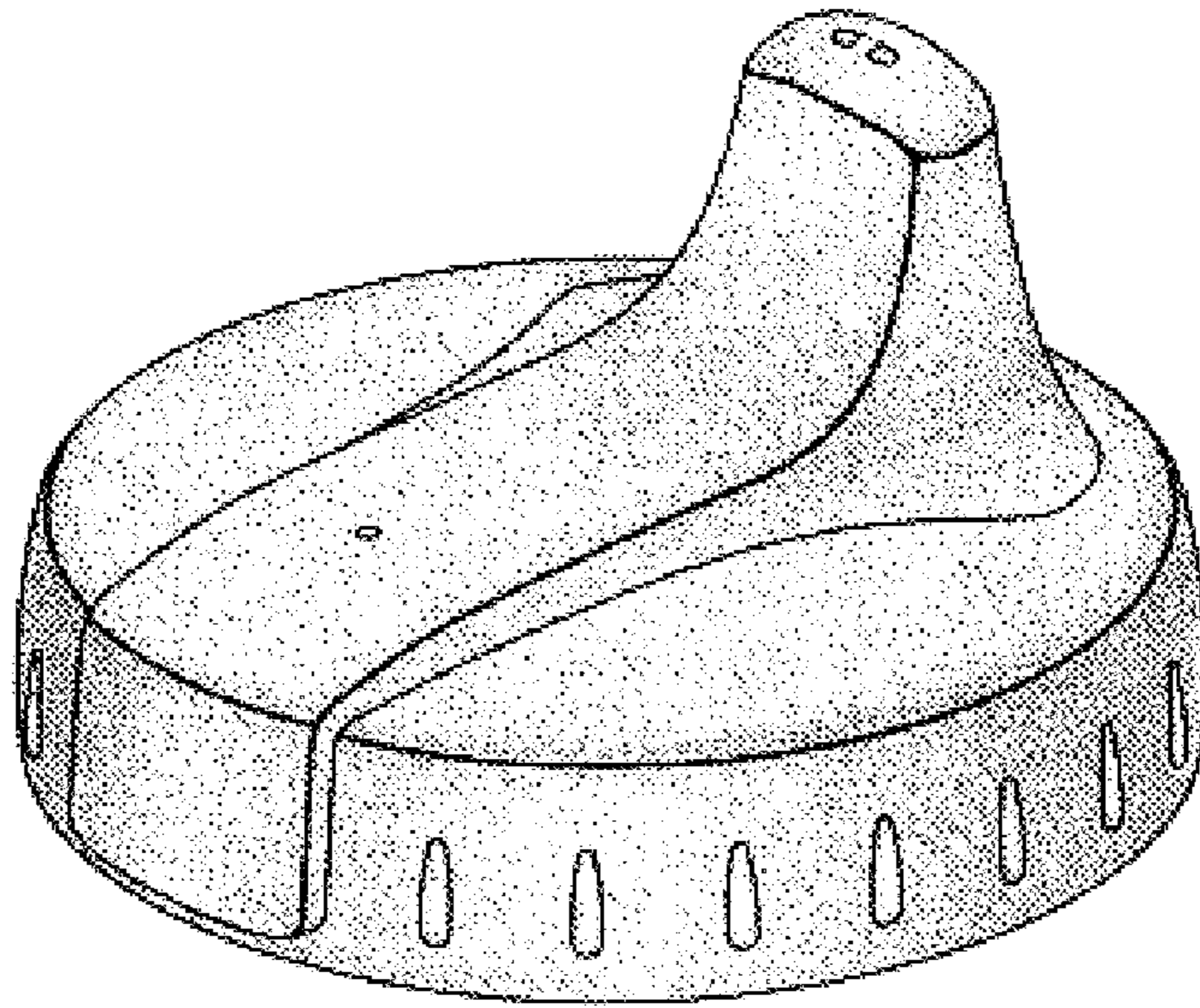


FIG. 1

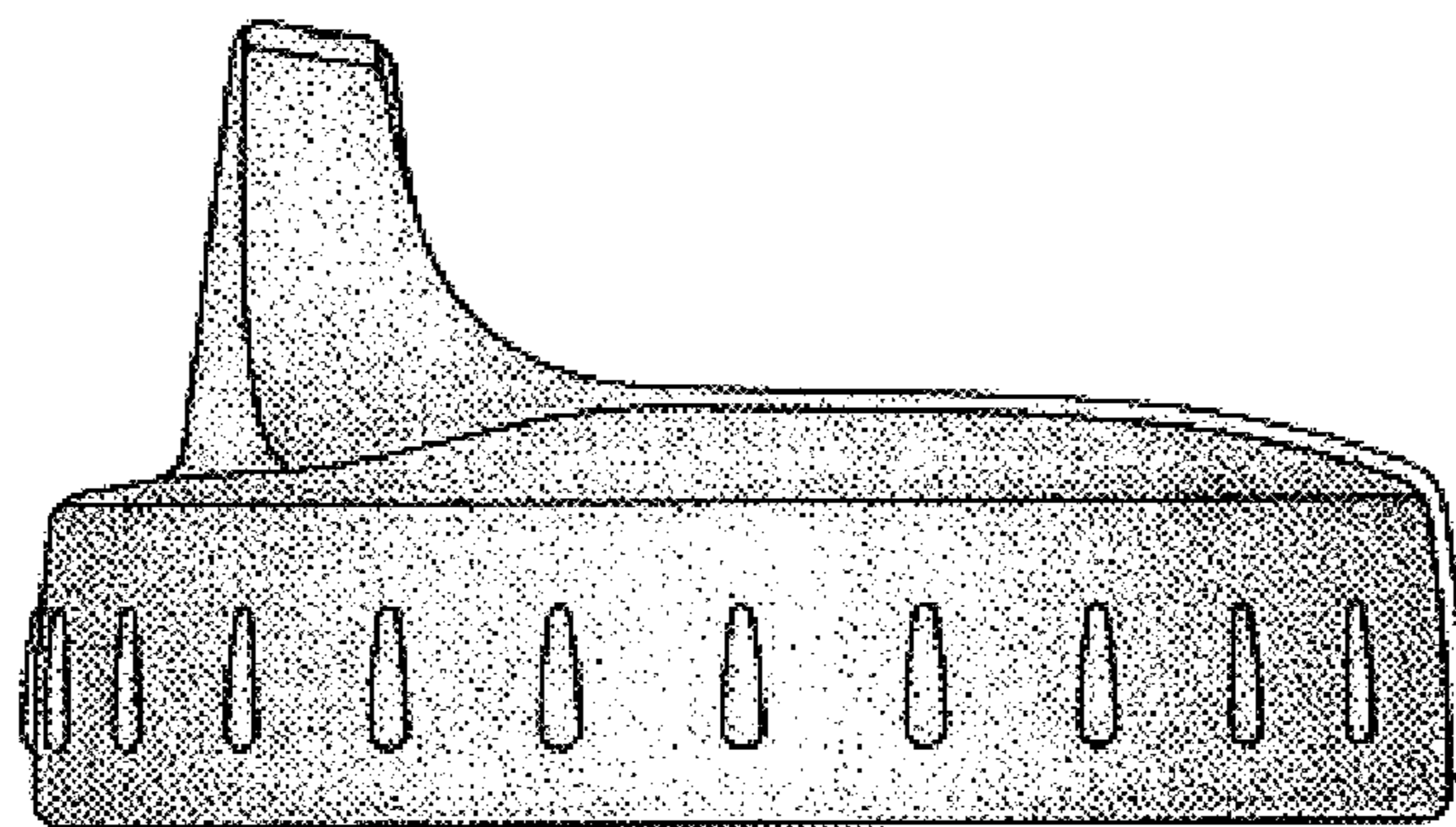


FIG. 2

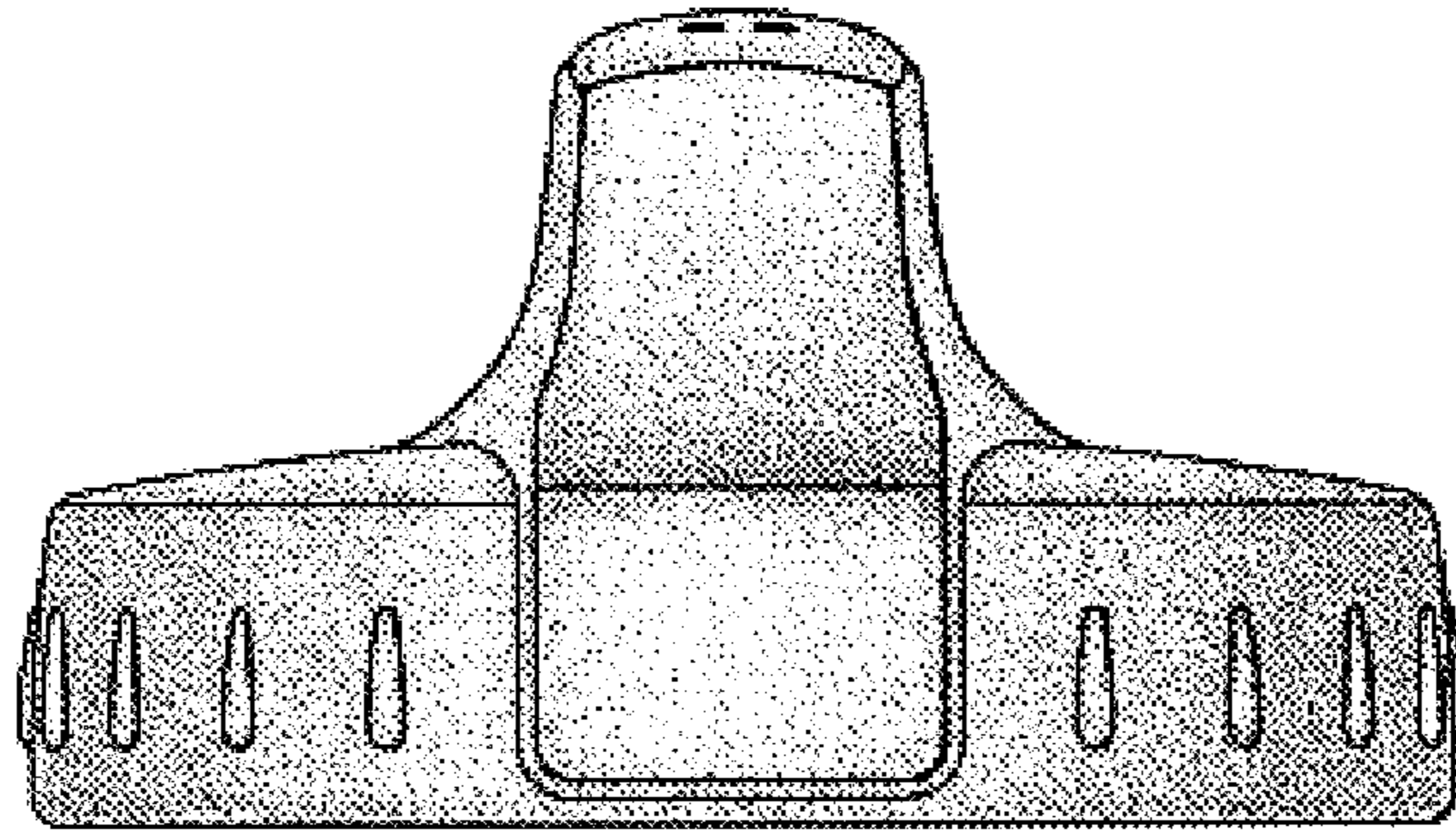


FIG. 3

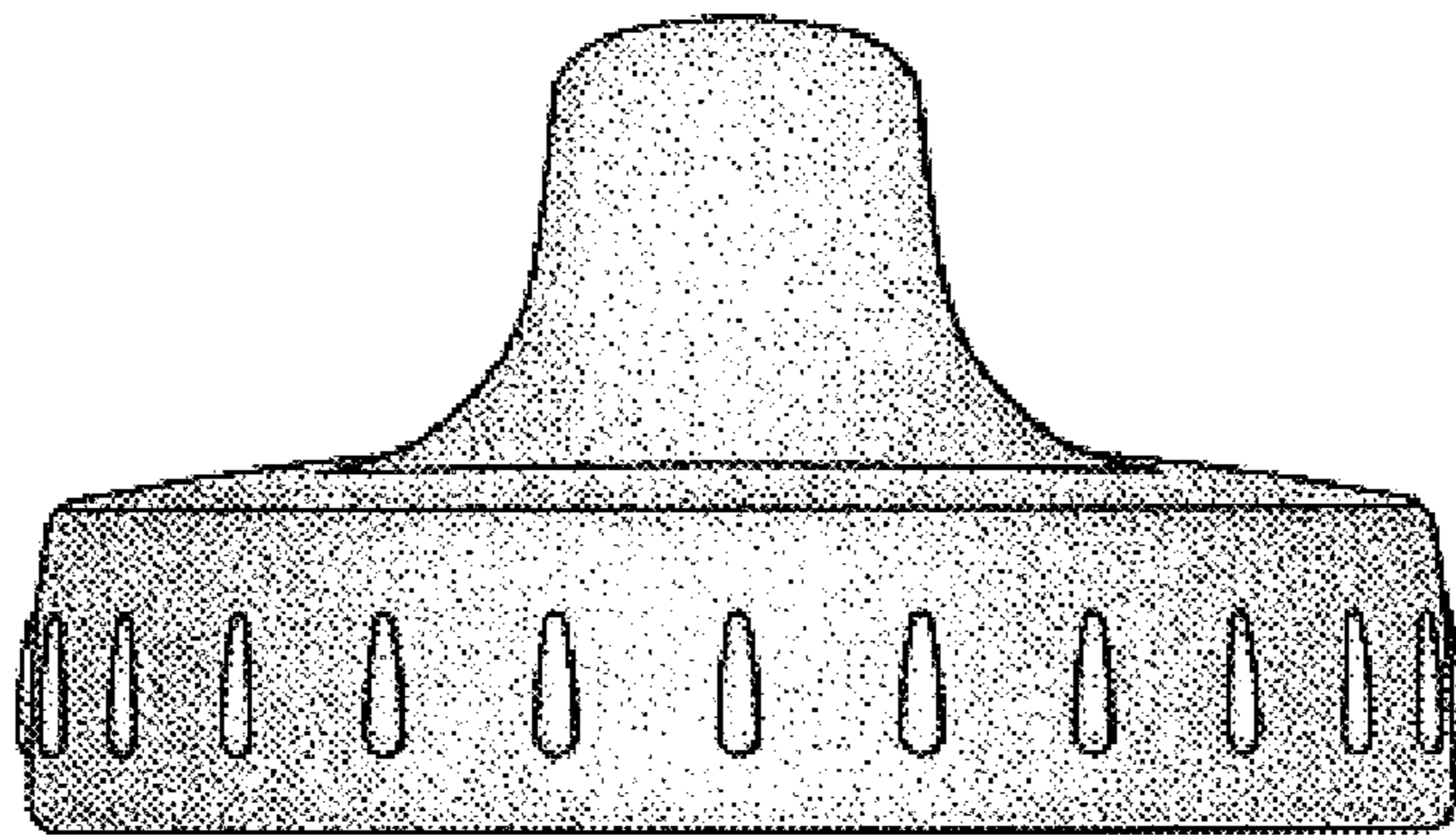


FIG. 4

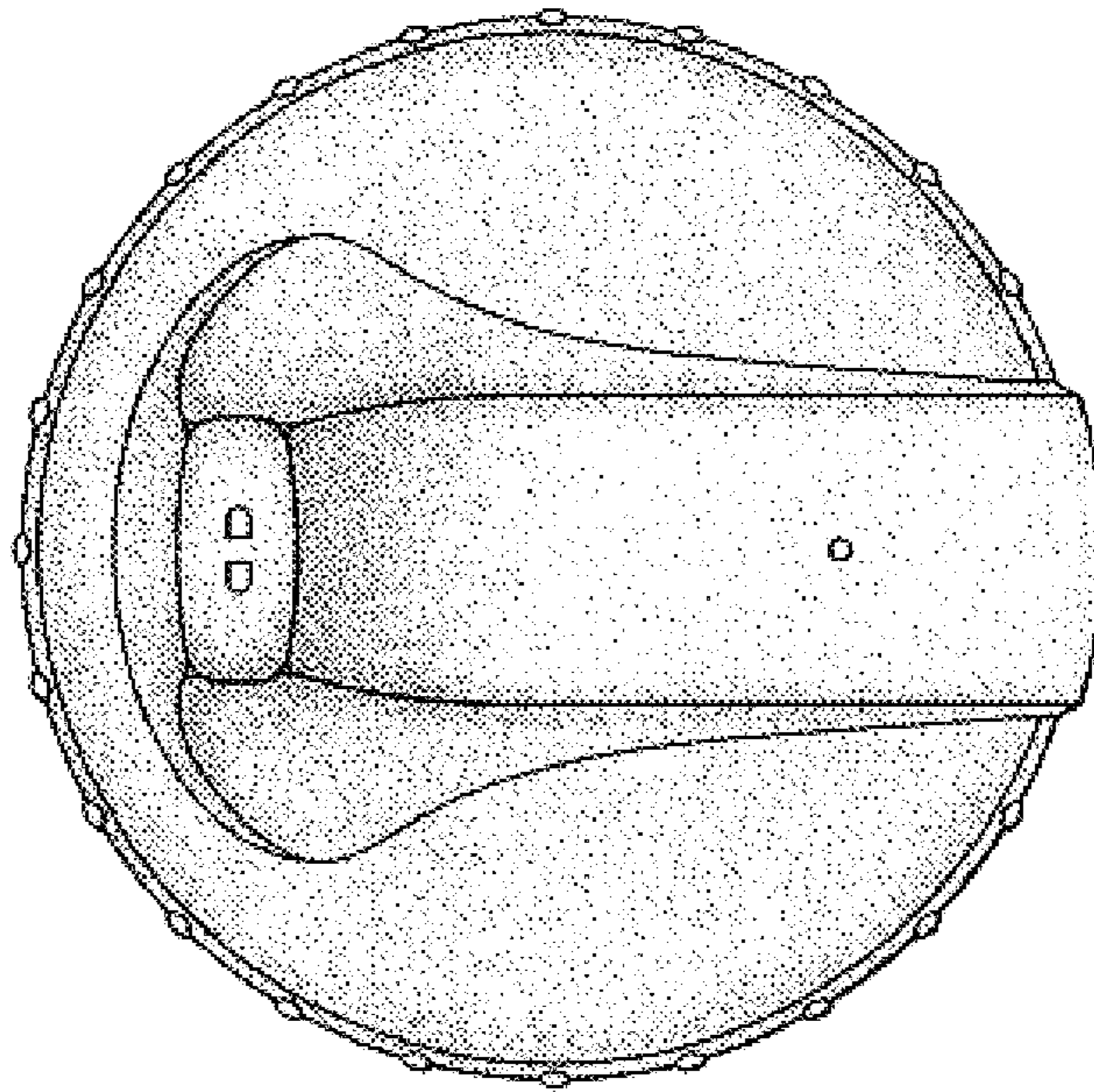


FIG. 5

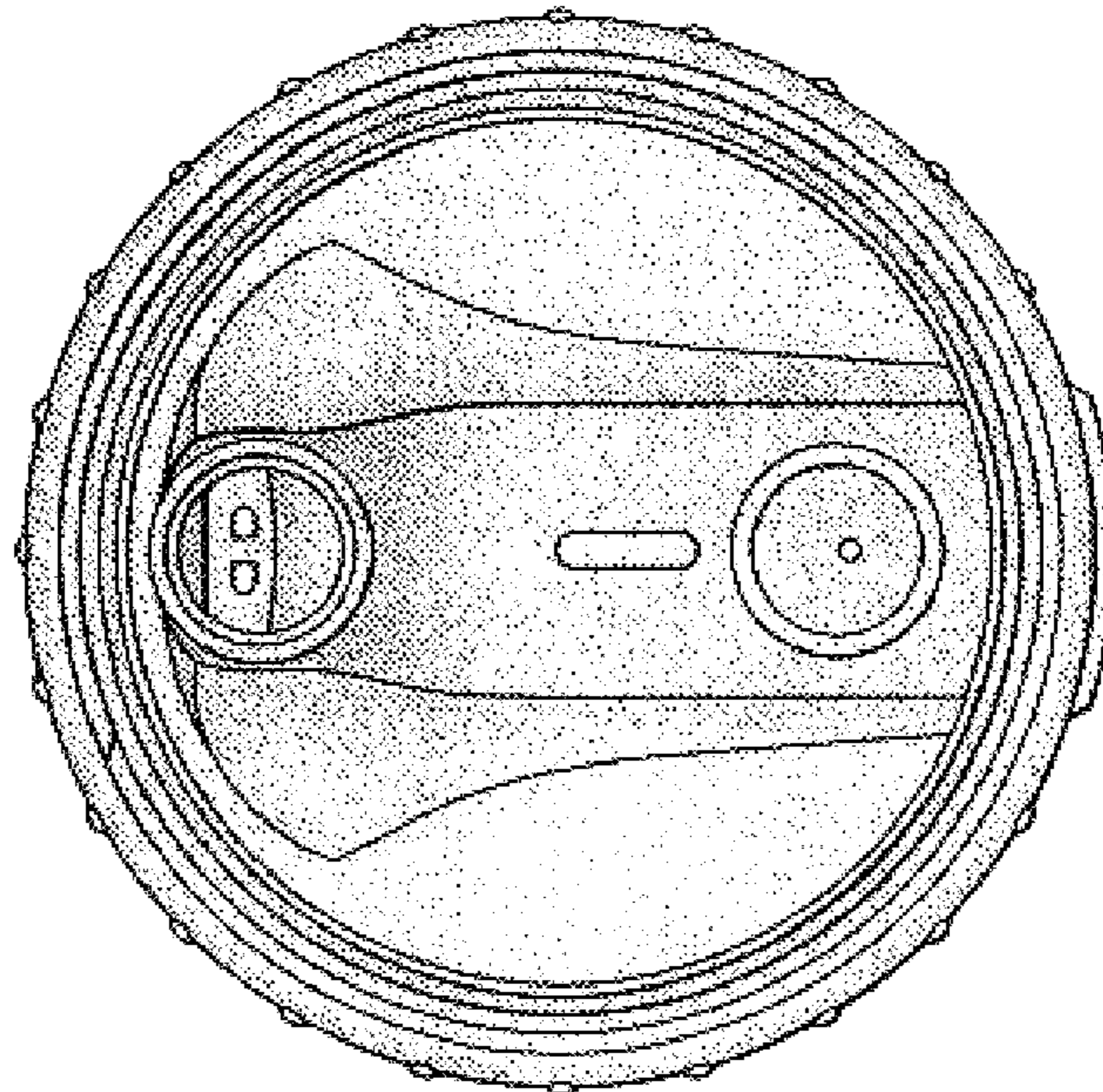


FIG. 6