



US00D457776S

(12) **United States Design Patent**
DeMars

(10) **Patent No.:**

US D457,776 S

(45) **Date of Patent:**

**** May 28, 2002**

(54) **SMALL SIZED PORTABLE COOKING APPARATUS**

(76) **Inventor: Robert A. DeMars**, 23221 Ladrillo Ave., Woodland Hills, CA (US) 91367-4134

(**) **Term: 14 Years**

(21) **Appl. No.: 29/137,016**

(22) **Filed: Feb. 12, 2001**

(51) **LOC (7) Cl. 07-02**

(52) **U.S. Cl. D7/332**

(58) **Field of Search** D7/332, 334, 335, D7/336, 337, 402, 409; 126/25 R, 25 A, 25 AA, 41 R, 29-30, 9 R, 9 B, 4, 6, 506, 519; D23/343, 348, 350, 317, 332, 334-336, 338-339; 99/443, 450, 421 R; 248/156

(56) **References Cited**

U.S. PATENT DOCUMENTS

D284,929 S * 8/1986 Schlosser et al. D7/332
D385,146 S * 10/1997 Fielding et al. D7/332

D385,147 S * 10/1997 Fielding et al. D7/332
D414,980 S * 10/1999 Pai D7/337
D420,546 S * 2/2000 Pai D7/332
D427,840 S * 7/2000 Pai D7/332
D435,998 S * 1/2001 Mak D7/332
D444,023 S * 6/2001 Pai D7/337

* cited by examiner

Primary Examiner—Ruth McInroy

(74) *Attorney, Agent, or Firm*—Jack C. Munro

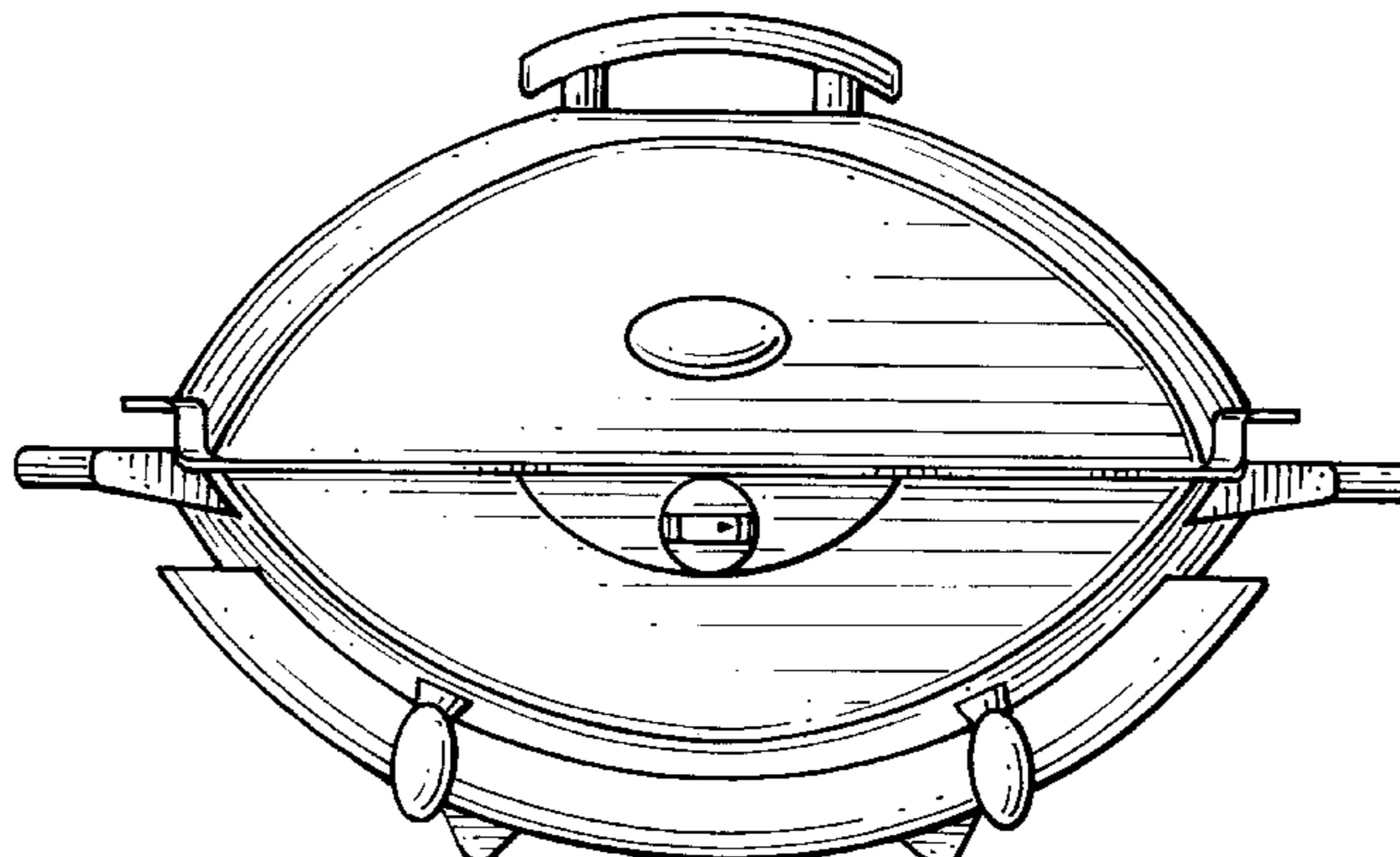
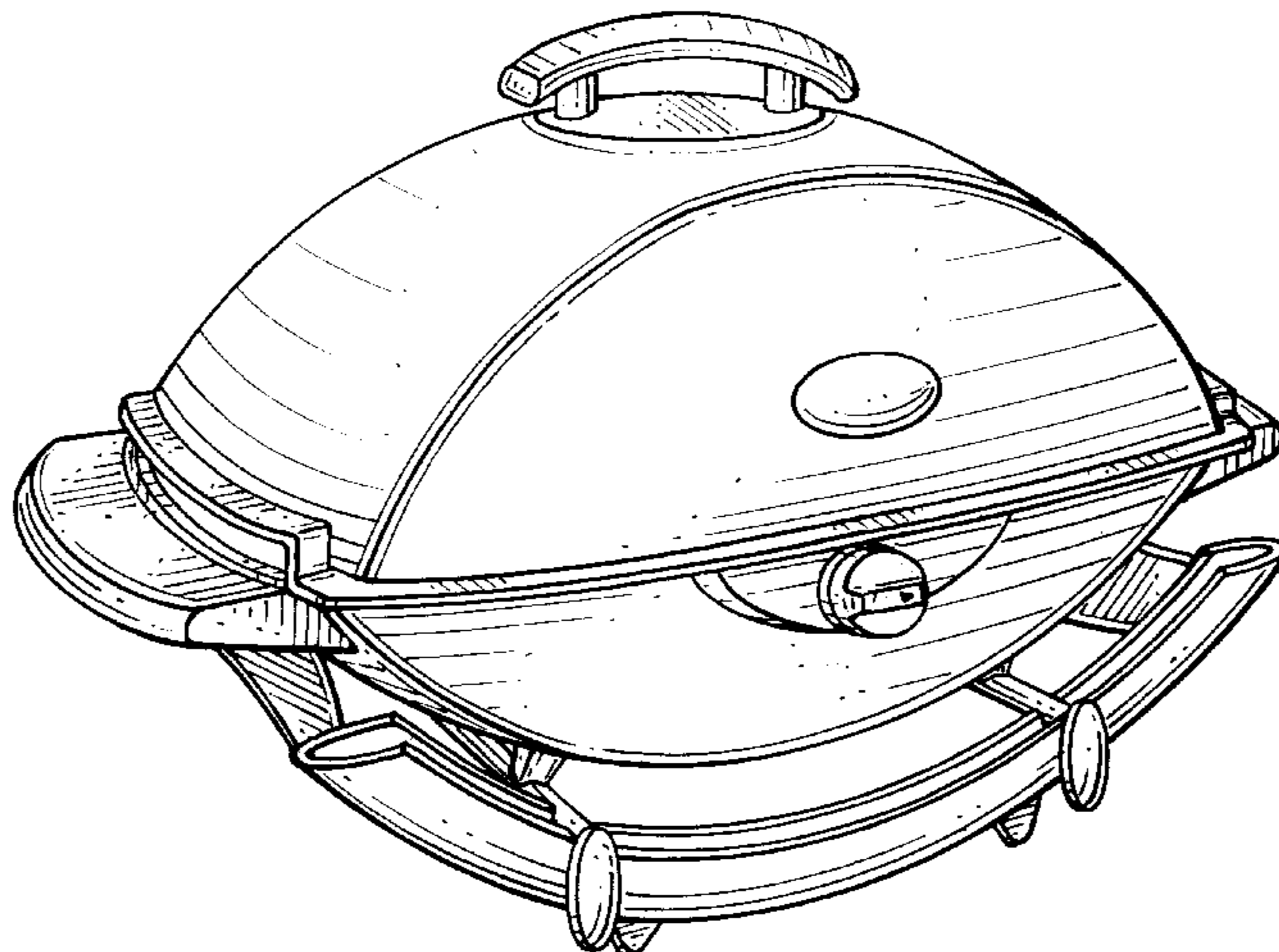
(57) **CLAIM**

The ornamental design for small sized portable cooking apparatus, as shown.

DESCRIPTION

FIG. 1 is a front perspective view of a small sized portable cooking apparatus showing my new design; FIG. 2 is a front elevational view thereof; FIG. 3 is a rear elevational view thereof; FIG. 4 is a right side elevational thereof with the left side being a mirror image; and, FIG. 5 is a top plan view thereof.

1 Claim, 3 Drawing Sheets



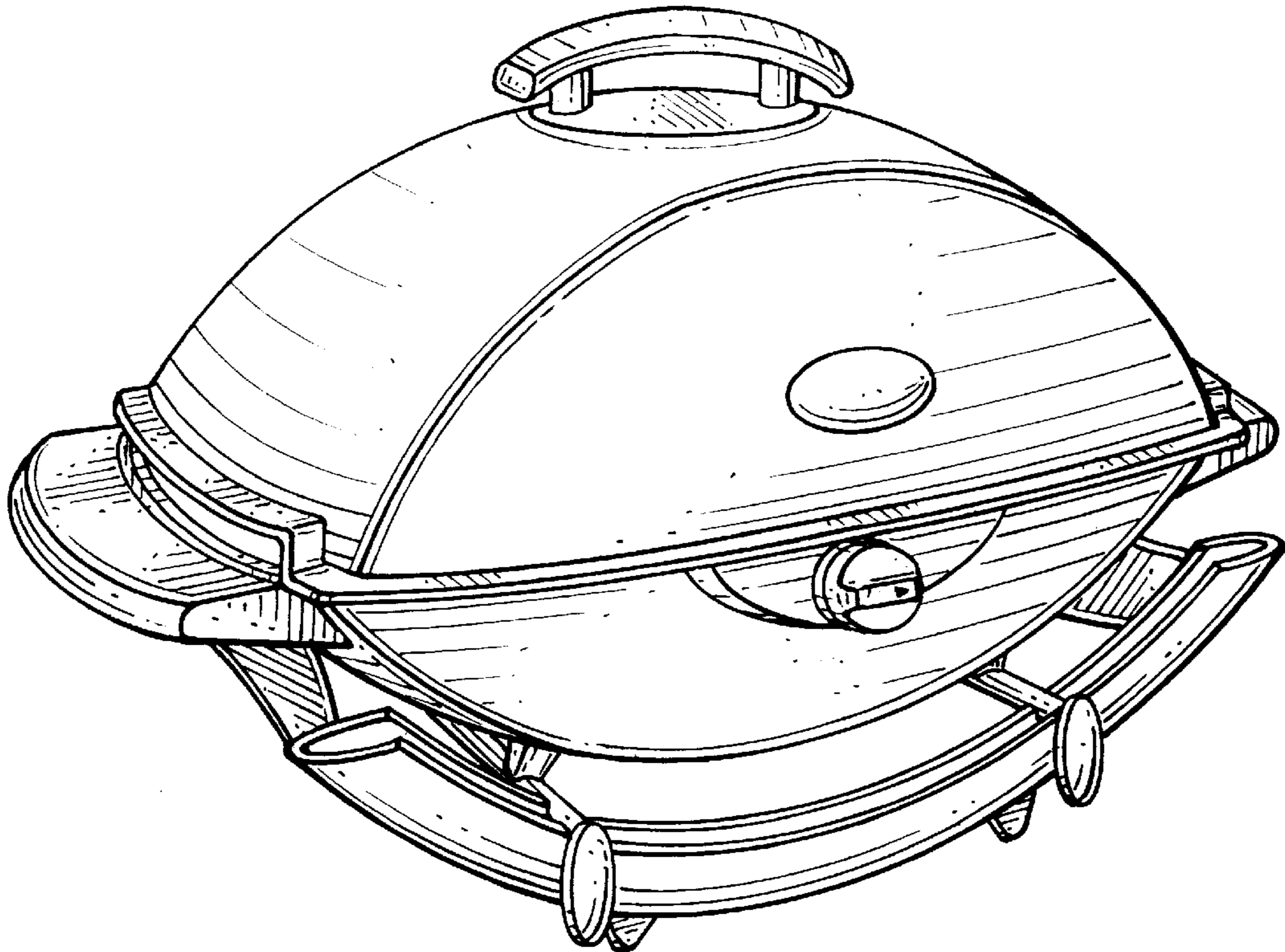


Fig. 1.

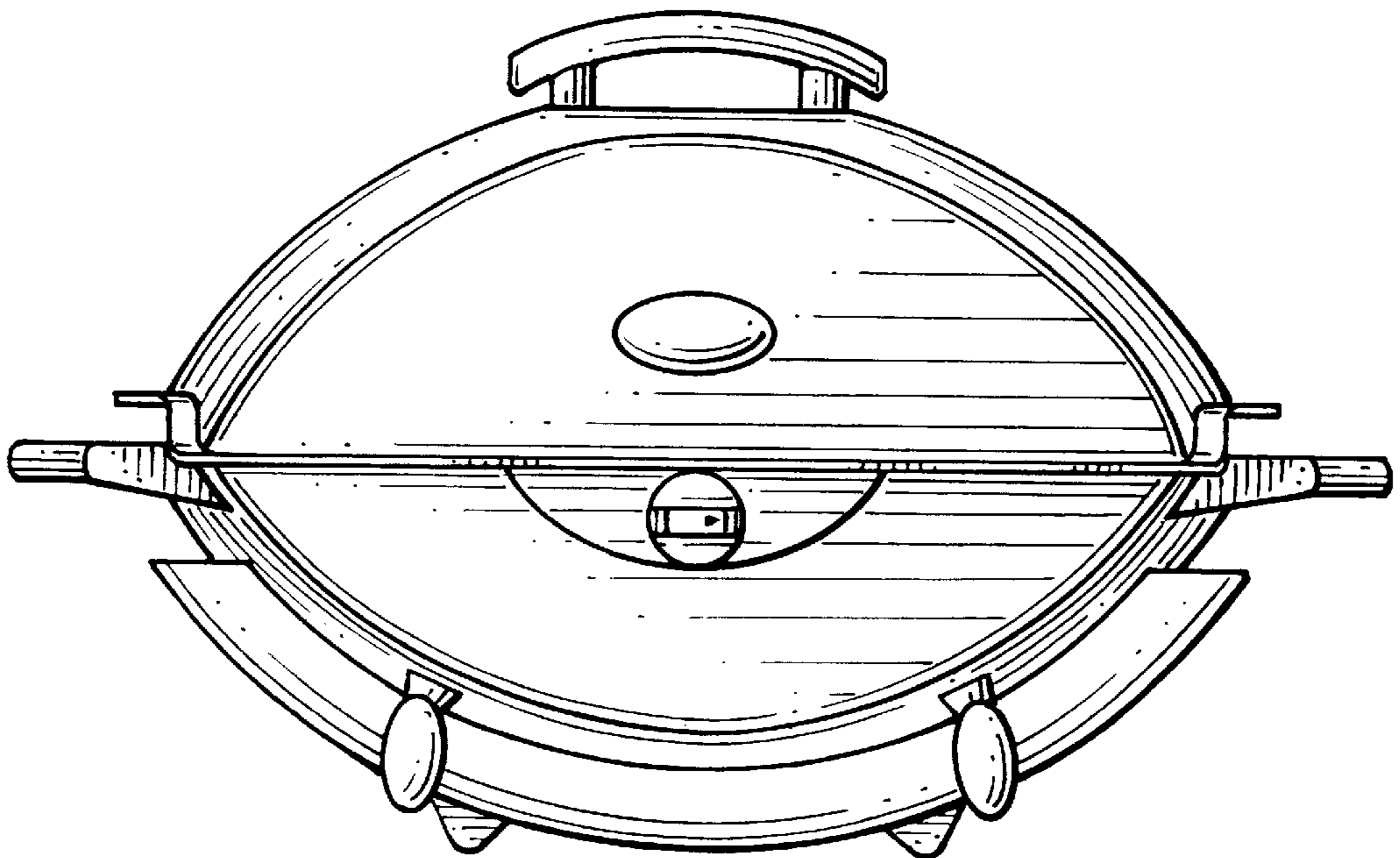


Fig. 2.

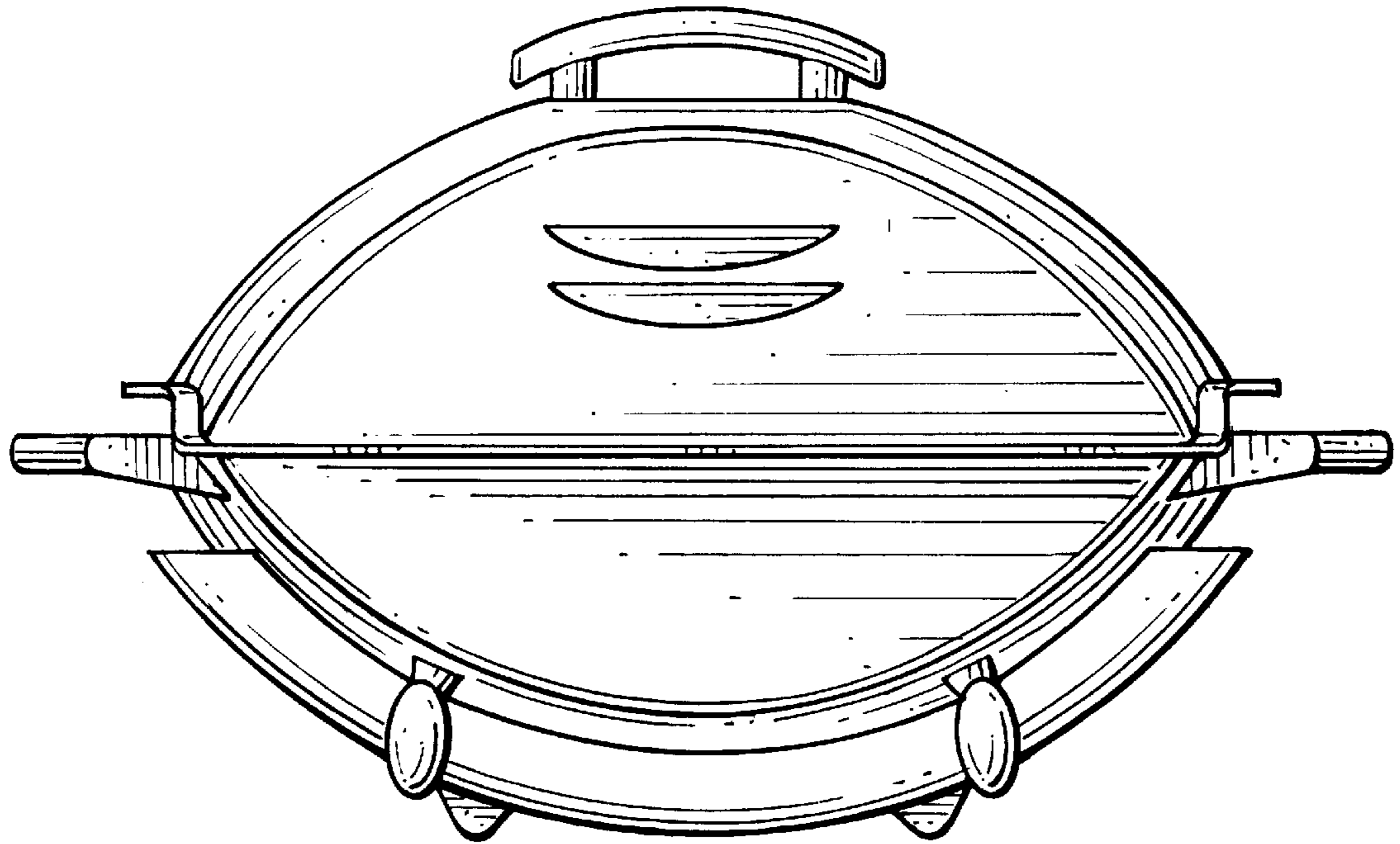


Fig. 3.

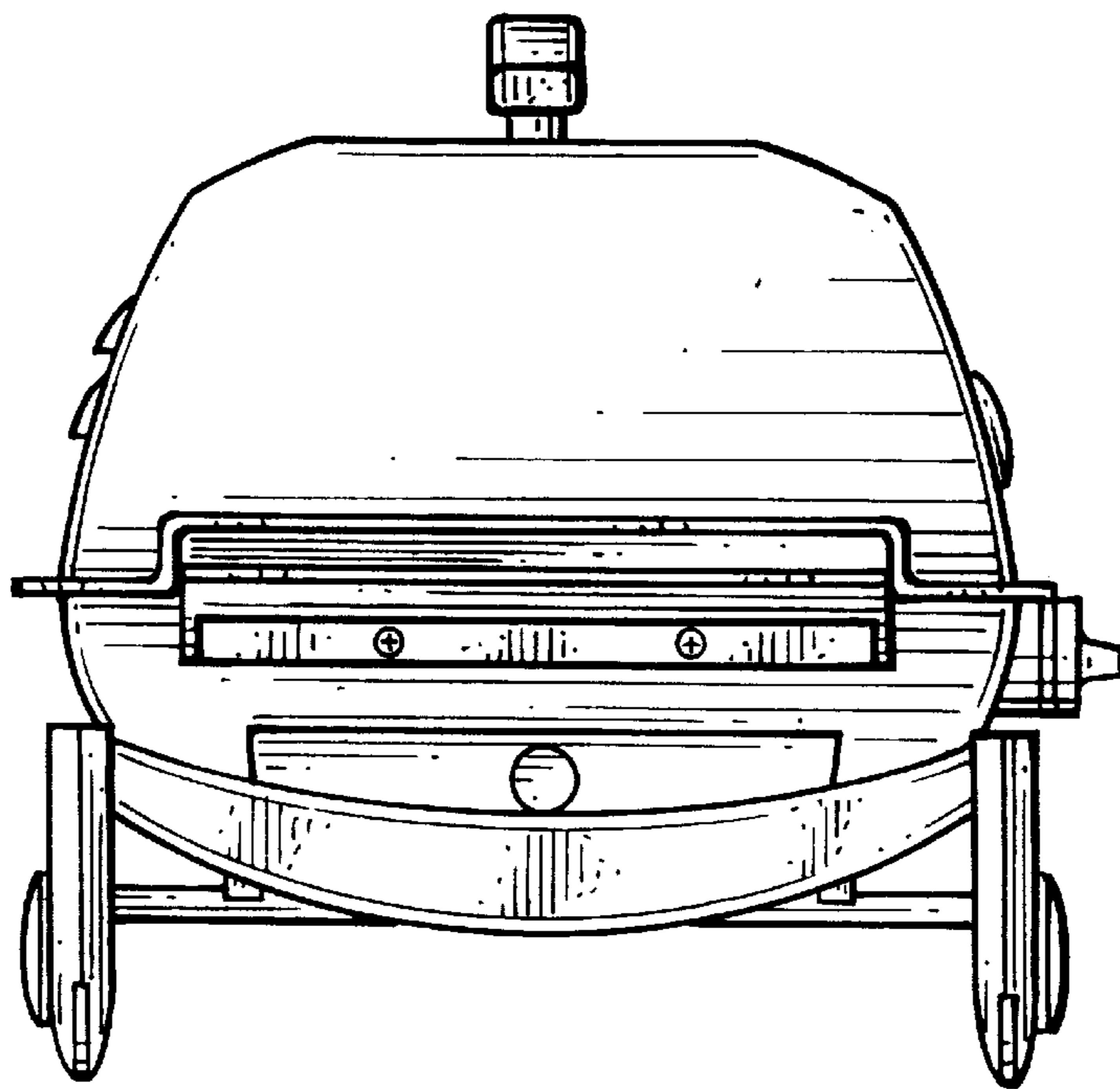


Fig. 4.

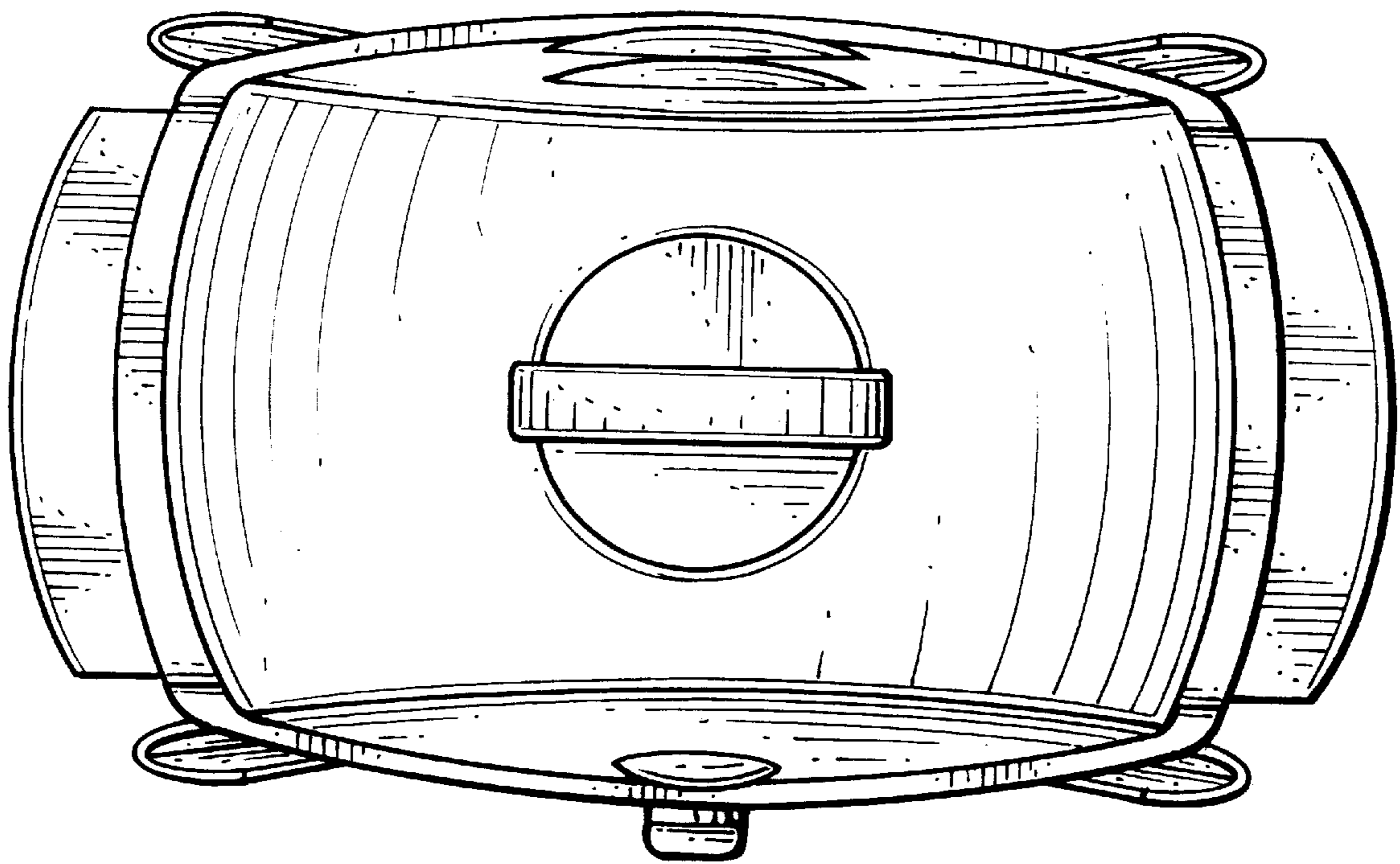


Fig. 5.