



US00D457772S

(12) **United States Design Patent**  
**Myers**

(10) **Patent No.:** **US D457,772 S**

(45) **Date of Patent:** **\*\* May 28, 2002**

(54) **CASE FOR NON-CIRCULAR CD-ROM MEDIUM**

(76) **Inventor:** **Douglas A. Myers**, 2255 N. University Pkwy., PMB Suite 15, #277, Provo, UT (US) 84604-7506

(\*\*) **Term:** **14 Years**

(21) **Appl. No.:** **29/129,223**

(22) **Filed:** **Sep. 8, 2000**

(51) **LOC (7) Cl.** ..... **06-04**

(52) **U.S. Cl.** ..... **D6/632; D6/407**

(58) **Field of Search** ..... D3/201; D6/407, D6/408, 626-635, 124; D14/26, 27; D19/32, 33, 74, 89; D27/340, 360; 40/626, 771, 775, 307; 150/149; 132/312; 206/307.1, 308.1, 308.3, 309, 311, 312, 313, 387.13, 396, 408, 232; 229/67.1, 68.1, 70-72

(56) **References Cited**

**U.S. PATENT DOCUMENTS**

3,530,981	A	*	9/1970	Wienecke, Jr.	.....	206/310
3,547,342	A	*	12/1970	Smith et al.	.....	206/312
4,387,807	A	*	6/1983	Rosa	.....	206/312
5,090,078	A	*	2/1992	Kamakura et al.	.....	15/97.1
5,361,903	A	*	11/1994	Thiele	.....	206/403
5,477,960	A	*	12/1995	Chen	.....	206/308.1
D378,720	S	*	4/1997	Ebenreth	.....	D6/632
5,982,736	A	*	11/1999	Pierson	.....	369/273
D418,502	S	*	1/2000	Friday	.....	D14/121
D429,733	S	*	8/2000	Jones et al.	.....	D14/479

D431,955	S	*	10/2000	Peterson et al.	.....	D6/632
D433,265	S	*	11/2000	Khatemi	.....	D6/634
D434,592	S	*	12/2000	Sankey et al.	.....	D6/634
D435,752	S	*	1/2001	Myszka et al.	.....	D6/632
6,170,658	B1	*	1/2001	Dering	.....	206/308.1
D442,969	S	*	5/2001	Myers	.....	D14/478

\* cited by examiner

*Primary Examiner*—Celia Murphy

(74) *Attorney, Agent, or Firm*—Angus C. Fox, III

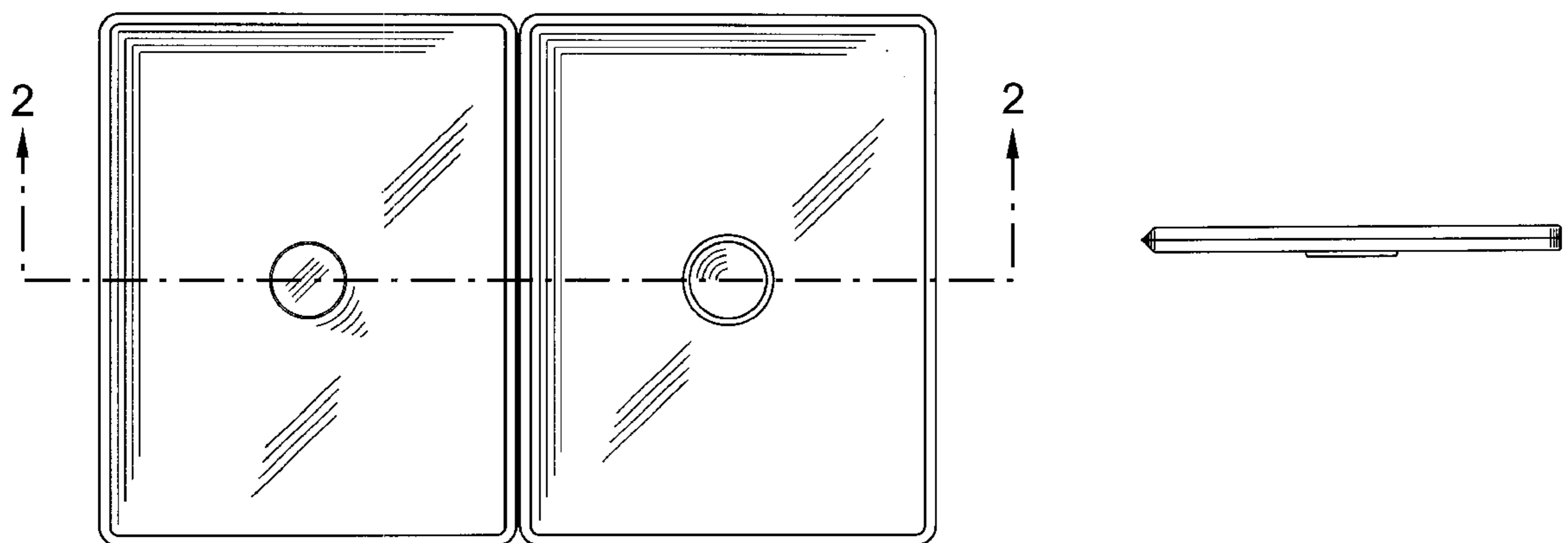
(57) **CLAIM**

The ornamental design for a case for non-circular CD-ROM medium, as shown and described.

**DESCRIPTION**

FIG. 1 is a top plan view of the case for a non-circular CD-ROM medium in an open configuration;  
 FIG. 2 is a cross-sectional view of the open case taken through section line 2—2 of FIG. 1;  
 FIG. 3 is a close-up view of region 3 of FIG. 2;  
 FIG. 4 is a close-up view of region 4 of FIG. 2;  
 FIG. 5 is a close-up view of region 5 of FIG. 2;  
 FIG. 6 is a bottom plan view of the open case;  
 FIG. 7 is top plan view of the case in a closed configuration;  
 FIG. 8 is a cross-sectional view of the closed case taken through section line 8—8 of FIG. 7;  
 FIG. 9 is an end elevational view of the closed case, the opposite end being a mirror image thereof;  
 FIG. 10 is a front elevational view of the closed case; and,  
 FIG. 11 is a rear elevational view of the closed case.

**1 Claim, 2 Drawing Sheets**



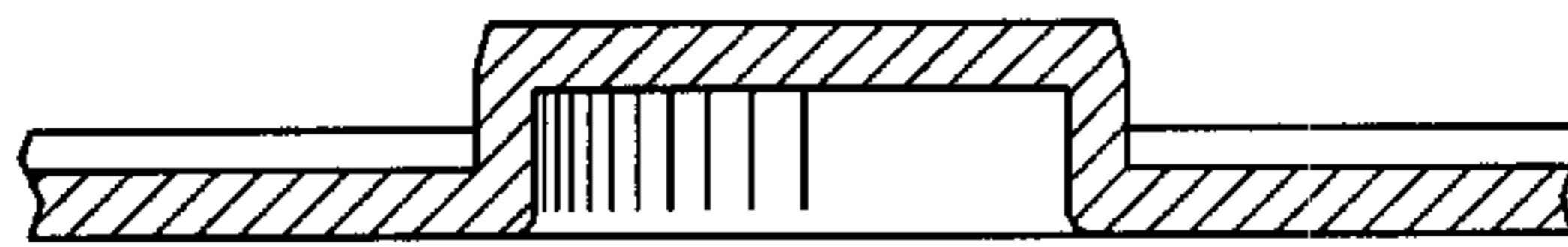
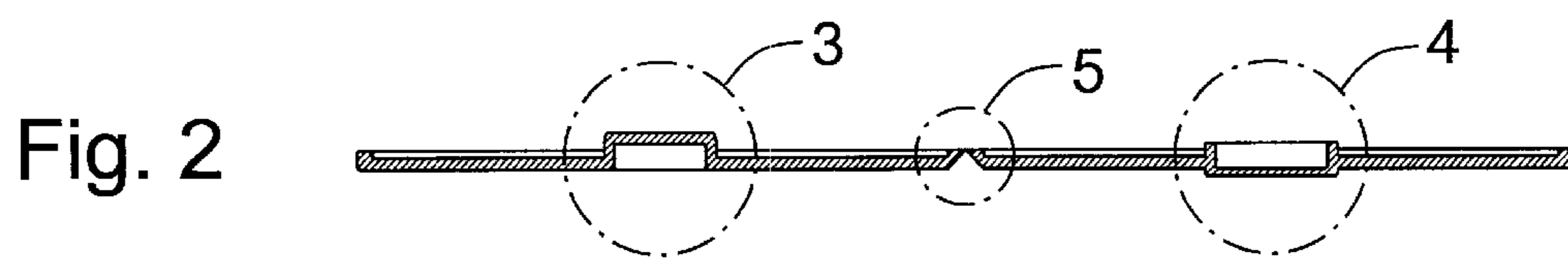
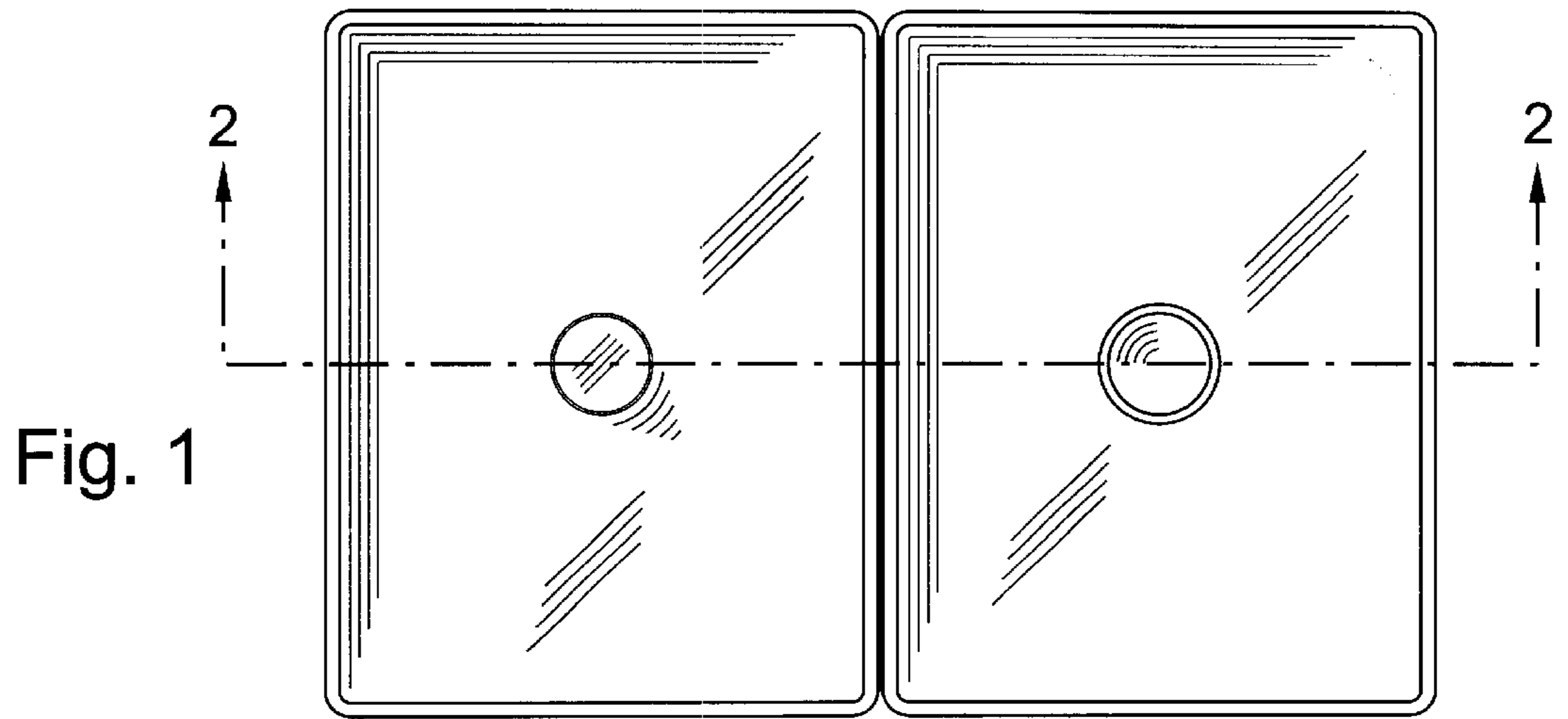


Fig. 3

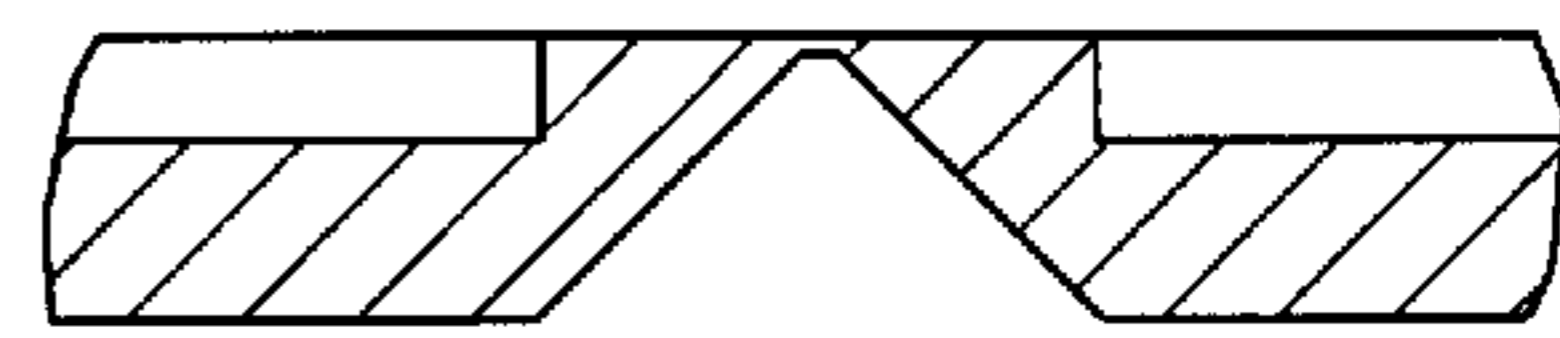


Fig. 5

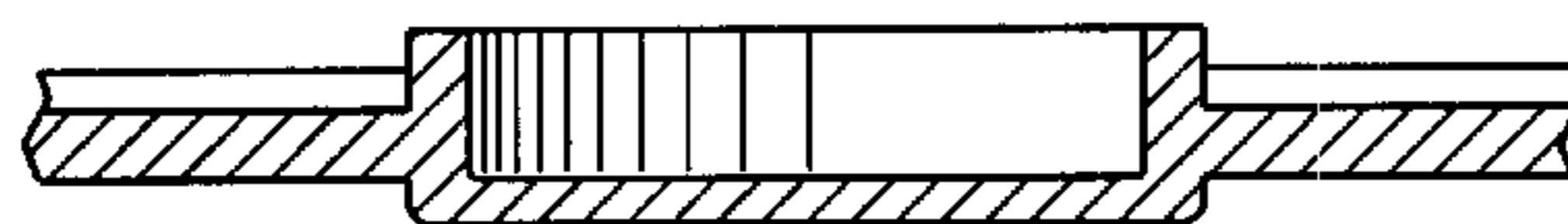


Fig. 4

Fig. 6

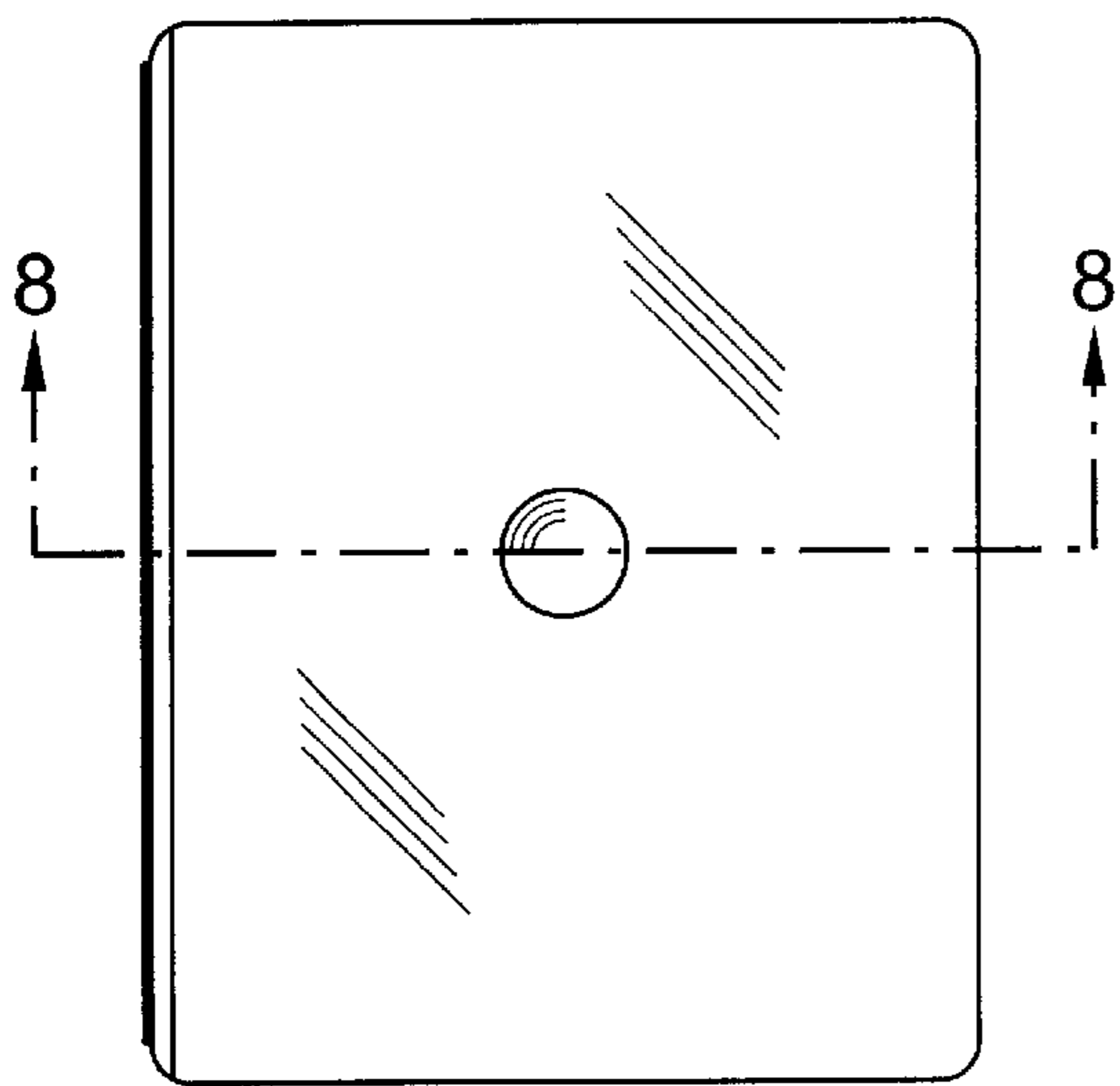
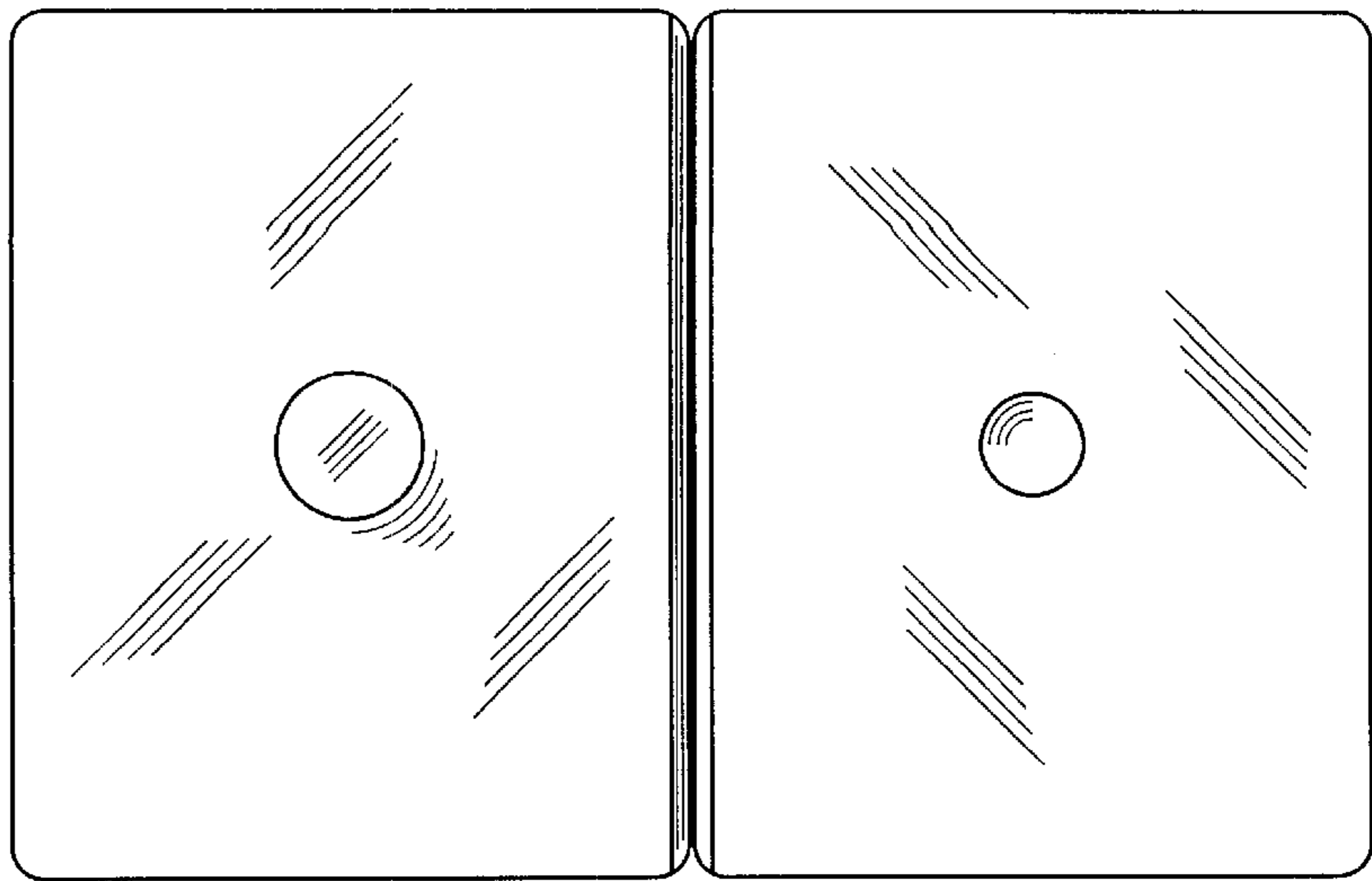


Fig. 7



Fig. 8

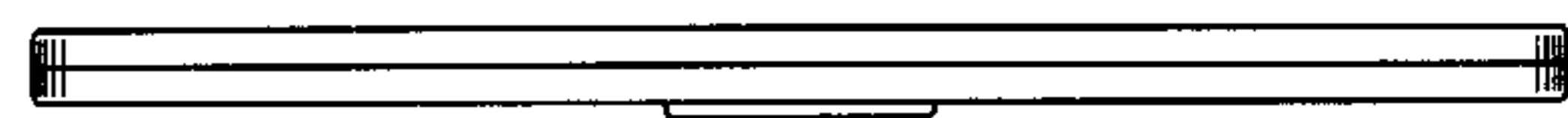


Fig. 10

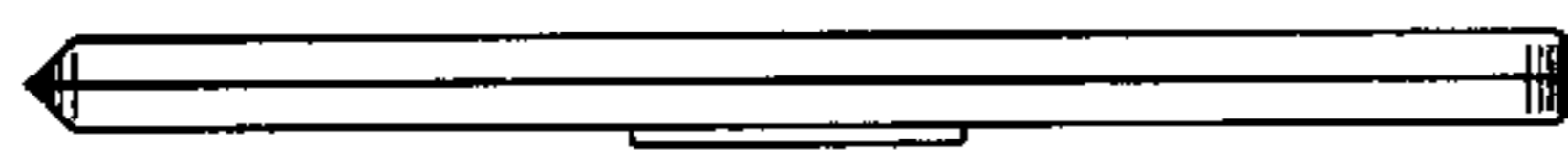


Fig. 9

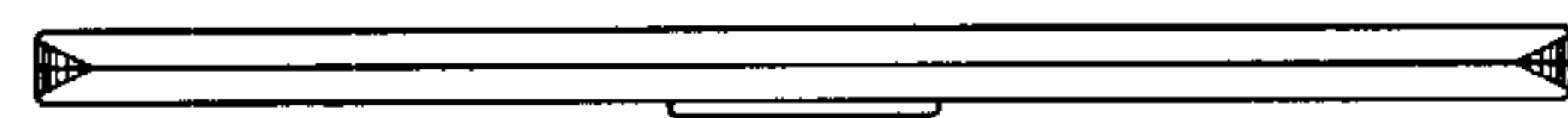


Fig. 11