



US00D457770S

(12) **United States Design Patent**
Shea

(10) **Patent No.:** **US D457,770 S**

(45) **Date of Patent:** **** May 28, 2002**

(54) **TRIGRID DISPLAY ASSEMBLY**

(76) Inventor: **Thomas M. Shea**, 1343 Rochester Rd.,
Suite 100, Troy, MI (US) 48083

(**) Term: **14 Years**

(21) Appl. No.: **29/128,426**

(22) Filed: **Aug. 24, 2000**

3,586,284 A	6/1971	Riebold	
3,677,415 A	7/1972	Radek	
3,743,105 A	7/1973	David	
4,171,052 A	10/1979	Winn	
D275,824 S	* 10/1984	Kates	D6/566 X
5,014,954 A	5/1991	Merl	
D320,719 S	10/1991	Kolsrud et al.	
D327,187 S	6/1992	Swon	
5,303,830 A	4/1994	Metcalf	
D382,161 S	* 8/1997	Dardashti	D6/566
D432,844 S	* 10/2000	Shea	D6/566

Related U.S. Application Data

(63) Continuation-in-part of application No. 08/829,837, filed on
Apr. 1, 1997, now Pat. No. 6,199,706, which is a continu-
ation-in-part of application No. 08/599,407, filed on Nov.
26, 1995, now Pat. No. 5,660,286.

(51) **LOC (7) Cl.** **06-04**

(52) **U.S. Cl.** **D6/567; D6/566**

(58) **Field of Search** D6/566, 567, 552,
D6/553; 211/13.1, 86.01, 87.01, 181.1,
182; 248/235, 302

(56) **References Cited**

U.S. PATENT DOCUMENTS

431,110 A	7/1890	Driver
2,020,991 A	11/1935	Brody
2,935,210 A	5/1960	Cohen
3,018,898 A	1/1962	Frazelle
3,087,624 A	4/1963	Hucker
3,125,042 A	3/1964	Mapson
3,191,776 A	6/1965	Tokash
3,221,893 A	12/1965	Glaberson et al.
3,285,208 A	11/1966	Cohen
3,513,606 A	5/1970	Jones

* cited by examiner

Primary Examiner—Brian N. Vinson
(74) *Attorney, Agent, or Firm*—Gifford, Krass, Groh,
Sprinkle, Anderson & Citkowski, P.C.

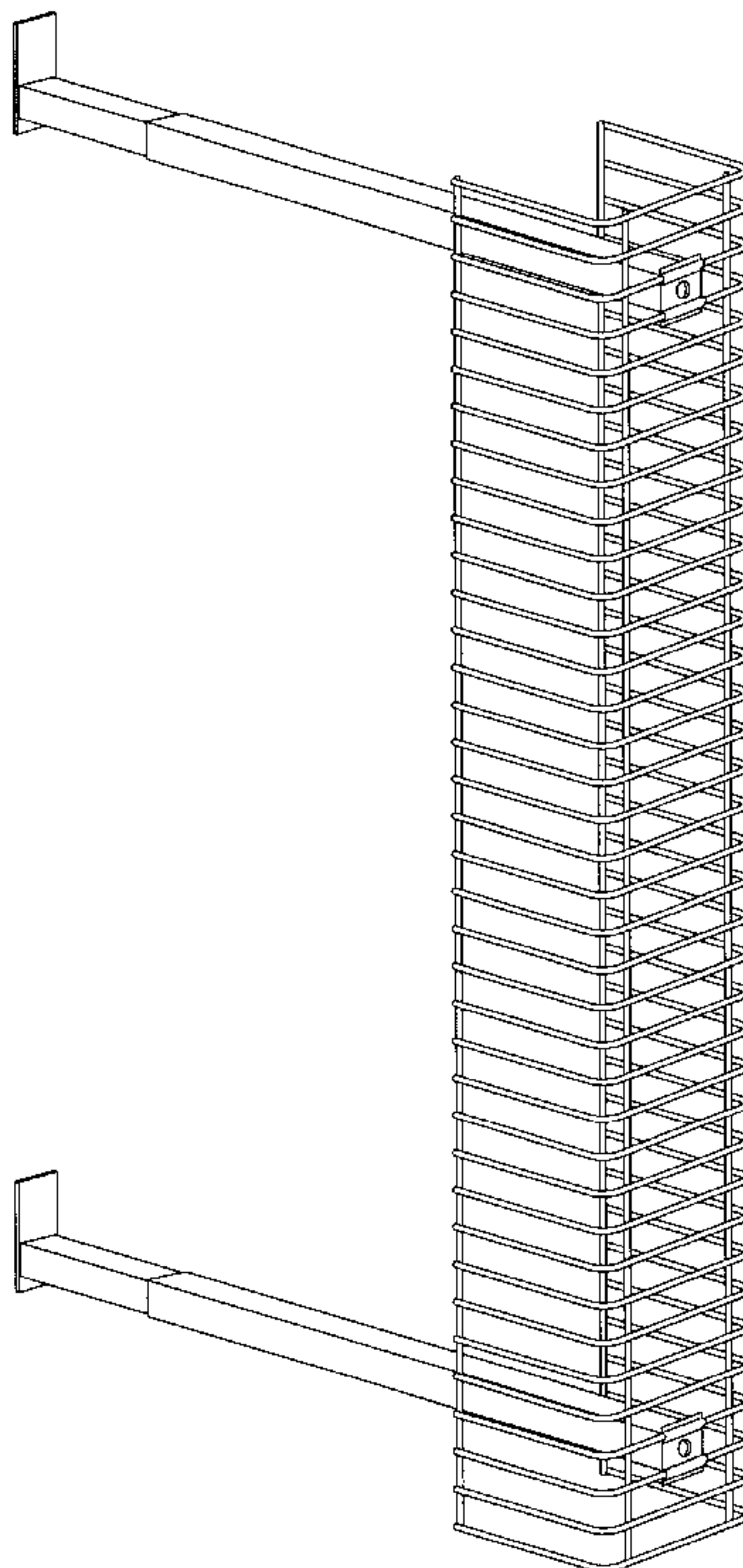
(57) **CLAIM**

I claim the ornamental design for a trigrid display assembly,
as shown and described.

DESCRIPTION

FIG. 1 is a perspective view of the display assembly
according to the present design;
FIG. 2 is a left side view of the display assembly;
FIG. 3 is a front view of the display assembly;
FIG. 4 is a right side view of the display assembly;
FIG. 5 is a rear view of the display assembly;
FIG. 6 is a top view of the trigrid forming a part of the
present design; and,
FIG. 7 is a corresponding bottom view of the trigrid forming
a part of the present design.

1 Claim, 2 Drawing Sheets



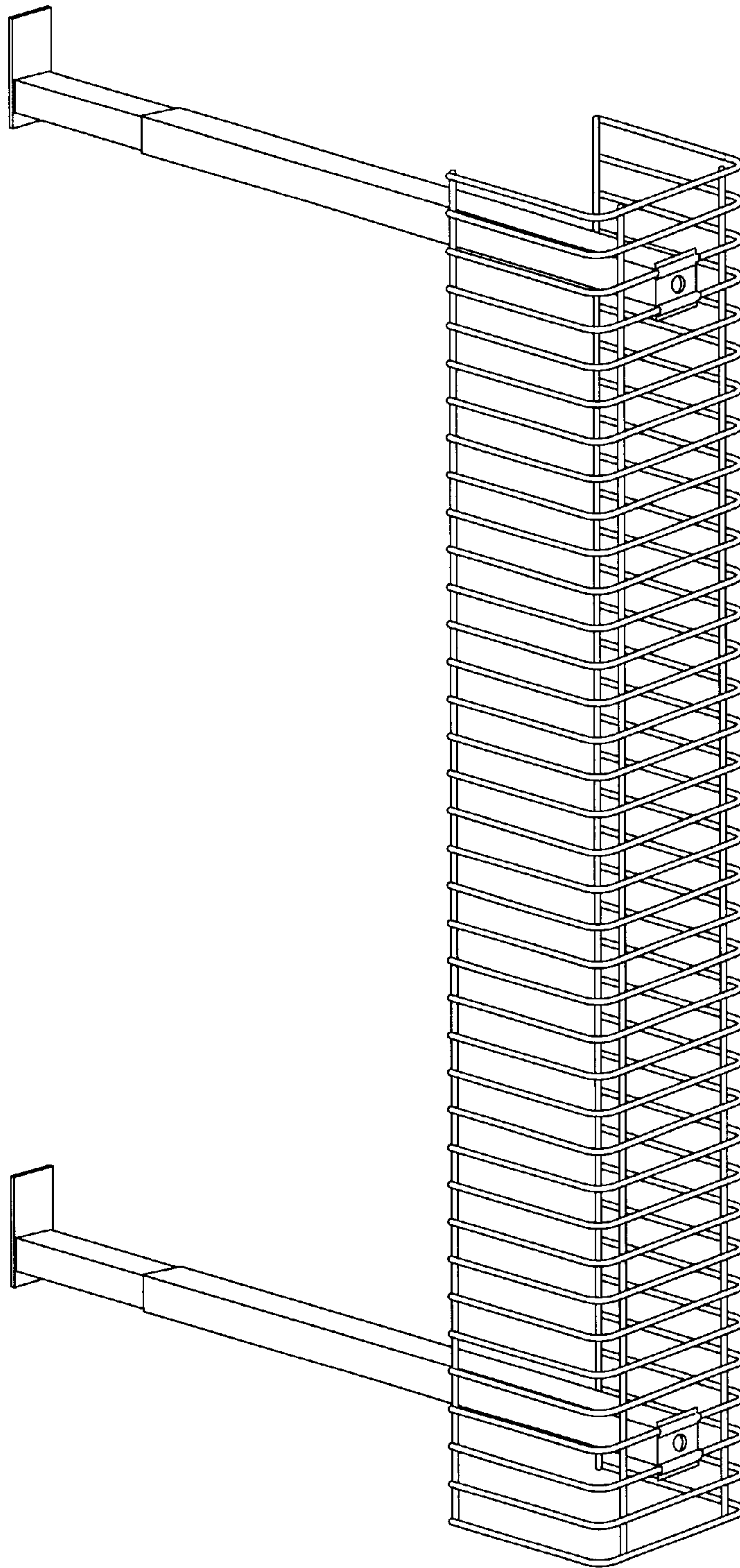


Fig-1

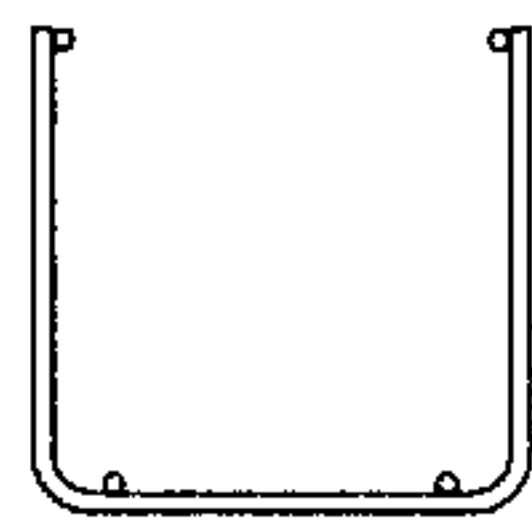


Fig-6

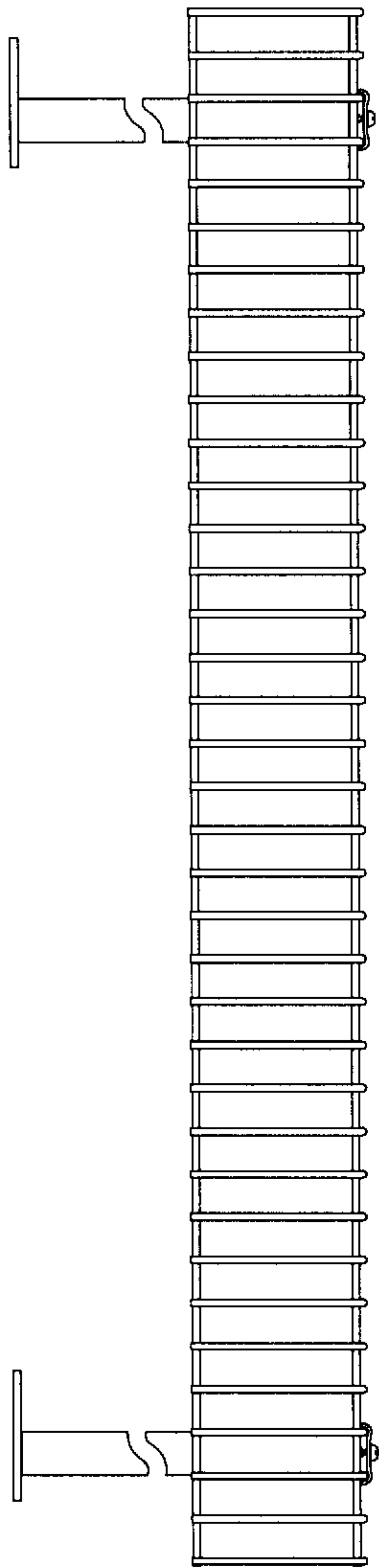


Fig-2

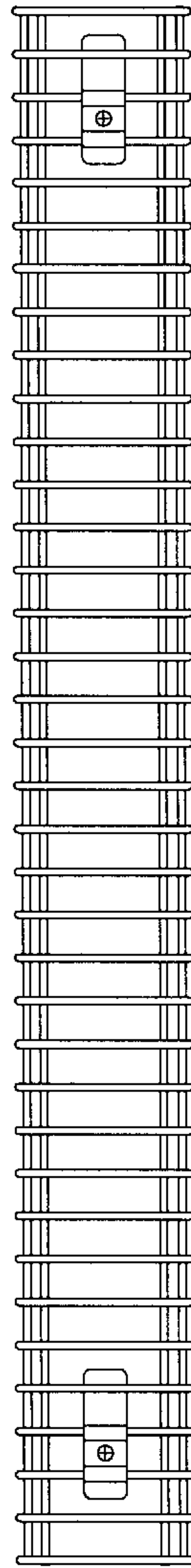


Fig-3

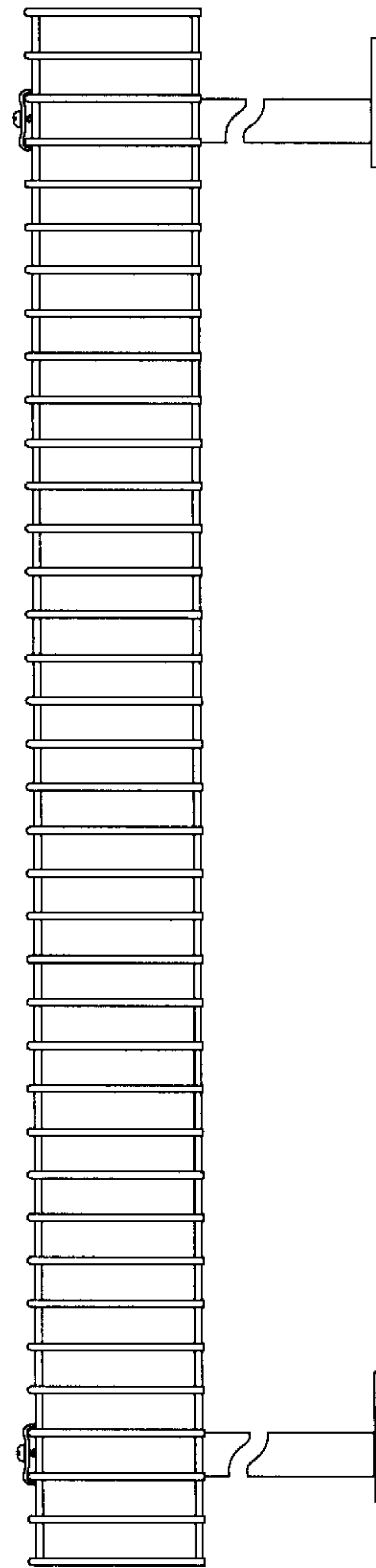


Fig-4

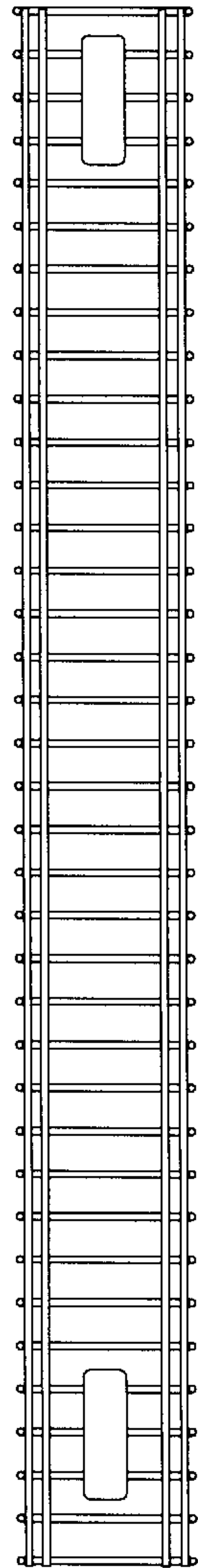


Fig-5

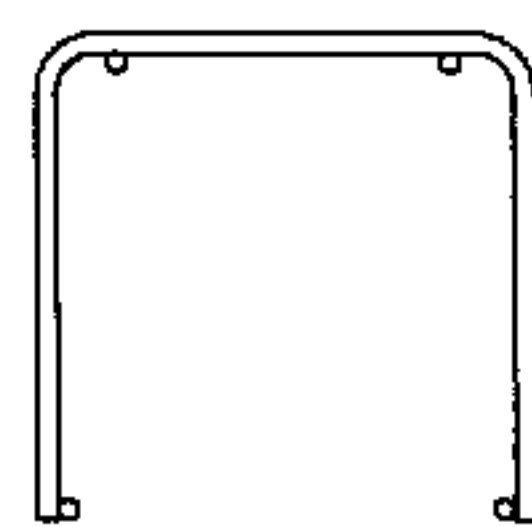


Fig-7