



US00D457767S

(12) **United States Design Patent** (10) **Patent No.:** **US D457,767 S**  
**Schumacher** (45) **Date of Patent:** **\*\* May 28, 2002**

(54) **BASKETBALL RACK**

(76) Inventor: **Larry Schumacher**, 9436 Wright Ave.,  
Machesney Park, IL (US) 61115

(\*\*) Term: **14 Years**

(21) Appl. No.: **29/134,988**

(22) Filed: **Jan. 3, 2001**

(51) **LOC (7) Cl.** ..... **08-08**

(52) **U.S. Cl.** ..... **D6/552**

(58) **Field of Search** ..... D6/566, 552, 458;  
206/315.9; 211/13.1, 85.7, 14, 15, 181.1;  
221/282, 284; 248/309.1

(56) **References Cited**

**U.S. PATENT DOCUMENTS**

D313,715 S	*	1/1991	Ohno	.....	D6/552
D331,680 S	*	12/1992	Glassenberg	.....	D6/566
D365,716 S	*	1/1996	Rose, Sr.	.....	D6/552
D374,363 S	*	10/1996	Puzo	.....	D6/552

**OTHER PUBLICATIONS**

Olympia Sports, catalog, pp. 3a, 108 (undated).

Kelpro Inc., Basketball equipment manufactured by Kelpro Incorporated, [www.kelproinc.com/basketball.html](http://www.kelproinc.com/basketball.html).

Household Organizers, Sport Ball/Bat Organizer, [www.householdorganizers.com/Sport% 20Ball-Bat% 20Organizer.html](http://www.householdorganizers.com/Sport%20Ball-Bat%20Organizer.html).

Global Mart, Basketball Racks, [www.globe-mart.com/sportrec/sports equip/basketball/accessories/racks/racks.html](http://www.globe-mart.com/sportrec/sports equip/basketball/accessories/racks/racks.html).

Hoopland, Goal Sporting Goods Portable Basketball Cage, [www.vstore.com/cgi-bin/pagegen/vstorebasketball/hoop-ssshop/page.html](http://www.vstore.com/cgi-bin/pagegen/vstorebasketball/hoop-ssshop/page.html).

Markwort Sporting Goods Company, Martwork Four Level Ball Rack Carrier, [www.markwork.com/category.asp?Model=1770](http://www.markwork.com/category.asp?Model=1770).

Online Sports, 3 Tier Basketball Ball Rack (12 Ball Capacity), copyright 1995-2000, [www.onlinesports.com/pages/I,GAR-BR-12.html](http://www.onlinesports.com/pages/I,GAR-BR-12.html).

Online Sports, 4 Tier Basketball Ball Rack (16 Ball Capacity), copyright 1995-2000, [www.onlinesports.com/pages/I,GAR-BR-16.html](http://www.onlinesports.com/pages/I,GAR-BR-16.html).

Online Sports, Cramer's Ball Rack—39"×6"×32"—Holds 12 Basketball, copyright 1995-2000, [www.onlinesports.com/pages/I,CR-000612.html](http://www.onlinesports.com/pages/I,CR-000612.html).

Online Sports, Deluxe Ball Cage, copyright 1995-2000, [www.onlinesports.com/pages/I,GAR-DBC.html](http://www.onlinesports.com/pages/I,GAR-DBC.html).

Online Sports, Deluxe Mini Caddie, copyright 1995-2000, [www.onlinesports.com/pages/I,OLY-BC039M-3.html](http://www.onlinesports.com/pages/I,OLY-BC039M-3.html).

Online Sports, Doublewide Ball Caddie, copyright 1995-2000, [www.onlinesports.com/pages/I,OLY-BC048M-3.html](http://www.onlinesports.com/pages/I,OLY-BC048M-3.html).

Online Sports, Security Ball Wall Locker . . . Double Rack, copyright 1995-2000, [www.onlinesports.com/pages/I,OLY-BC054M-3.html](http://www.onlinesports.com/pages/I,OLY-BC054M-3.html).

Online Sports, Super Cart Ball Rack Carrier, copyright 1995-2000, [www.onlinesports.com/pages/I,MW-KE124.html](http://www.onlinesports.com/pages/I,MW-KE124.html).

Online Sports, Universal Ball Caddie, copyright 1995-2000, [www.onlinesports.com/pages/I,LOY-BC027M-3.html](http://www.onlinesports.com/pages/I,LOY-BC027M-3.html).

Online Sports, Tier Equipment Racks . . . 2 Basket Unit Without Wheels, copyright 1995-2000, [www.onlinesports.com/pages/I,OLY-EC035M-3.html](http://www.onlinesports.com/pages/I,OLY-EC035M-3.html).

\* cited by examiner

*Primary Examiner*—Brian N. Vinson

(57) **CLAIM**

The ornamental design for a basketball rack, as shown and described.

**DESCRIPTION**

FIG. 1 is a perspective view showing my new design.

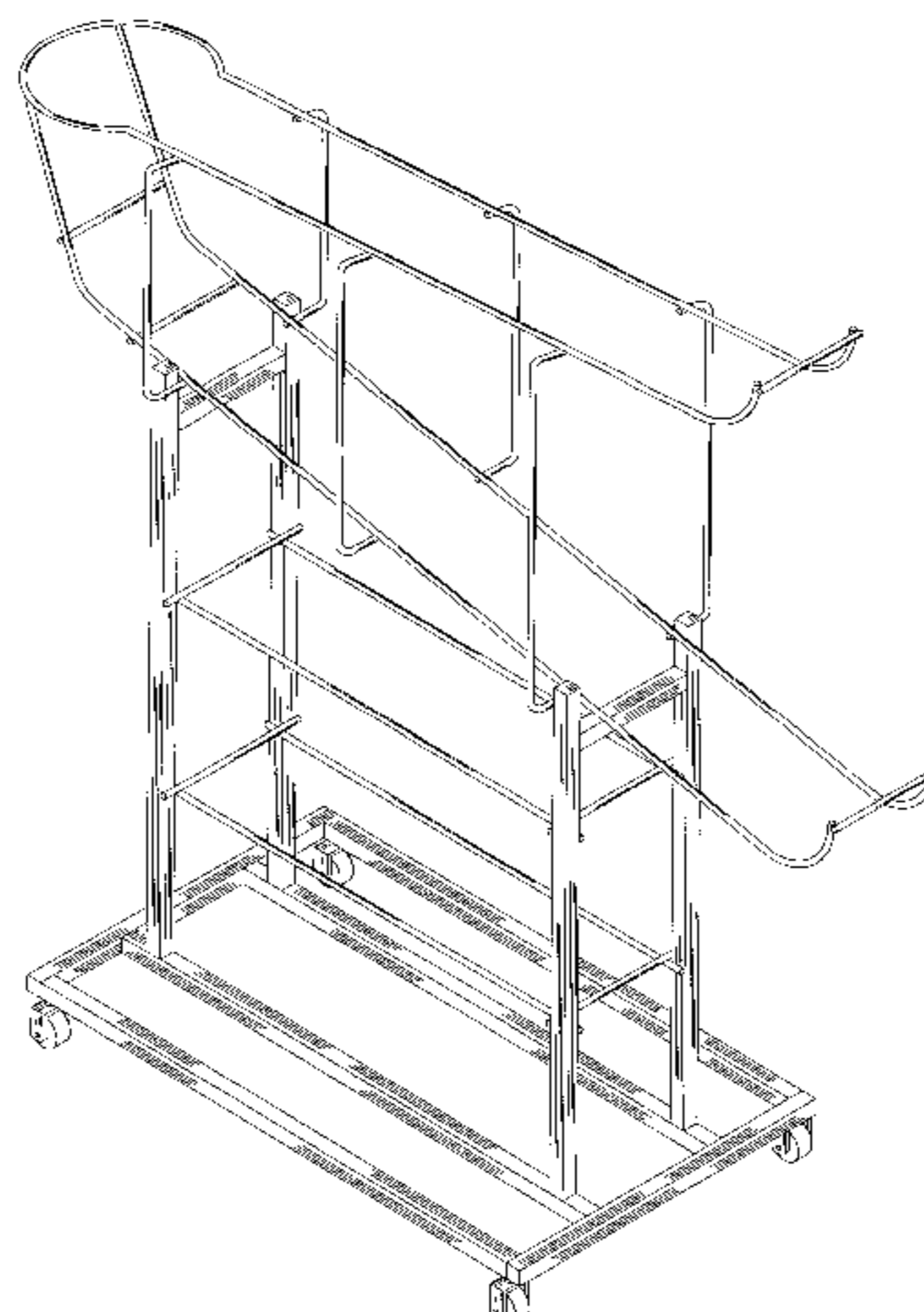
FIG. 2 is a left side view thereof, the right end view being a mirror image view thereof.

FIG. 3 is a back elevation view thereof.

FIG. 4 is a top plan view thereof; and,

FIG. 5 is a front elevation view thereof.

**1 Claim, 3 Drawing Sheets**



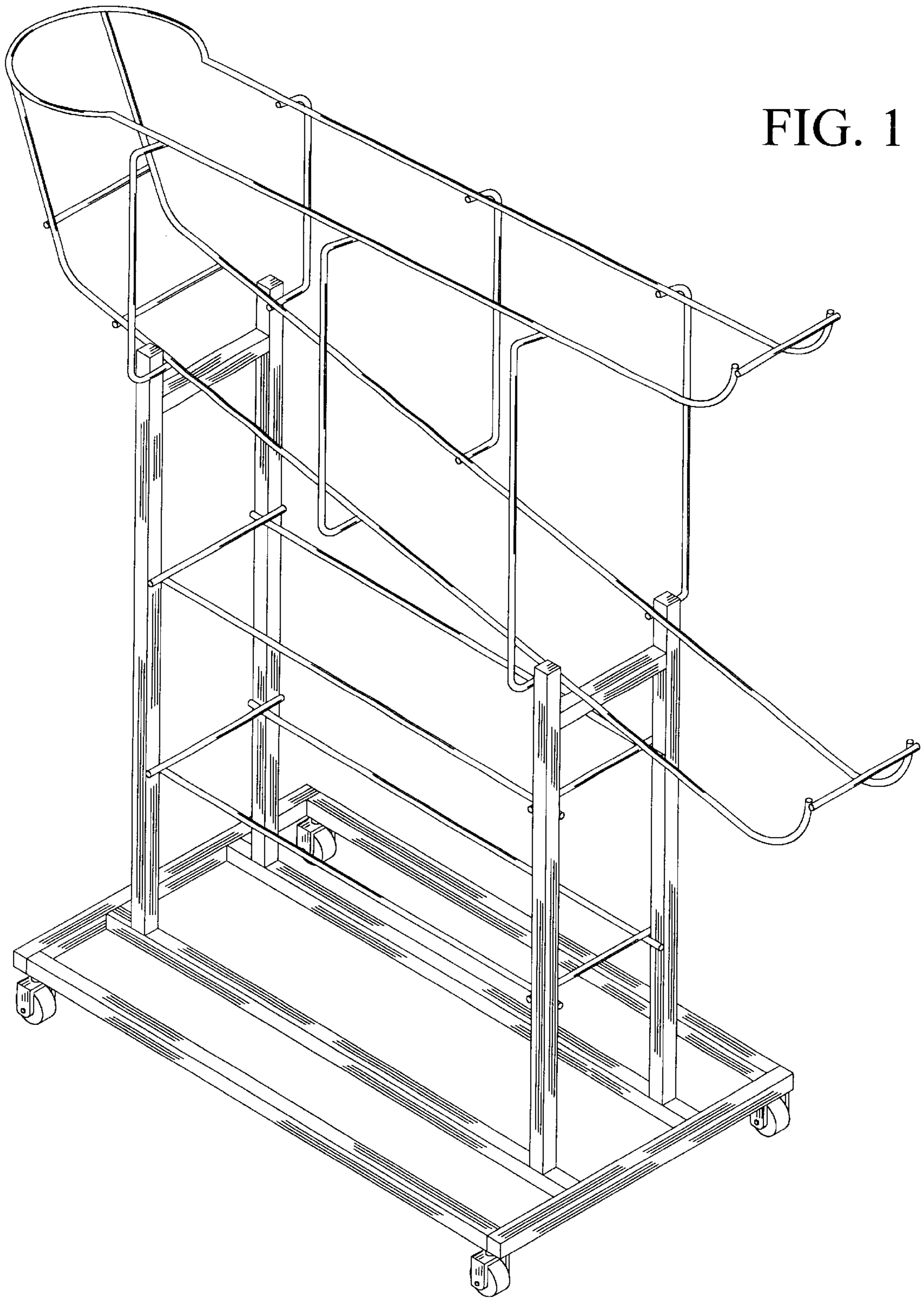


FIG. 1

FIG. 2

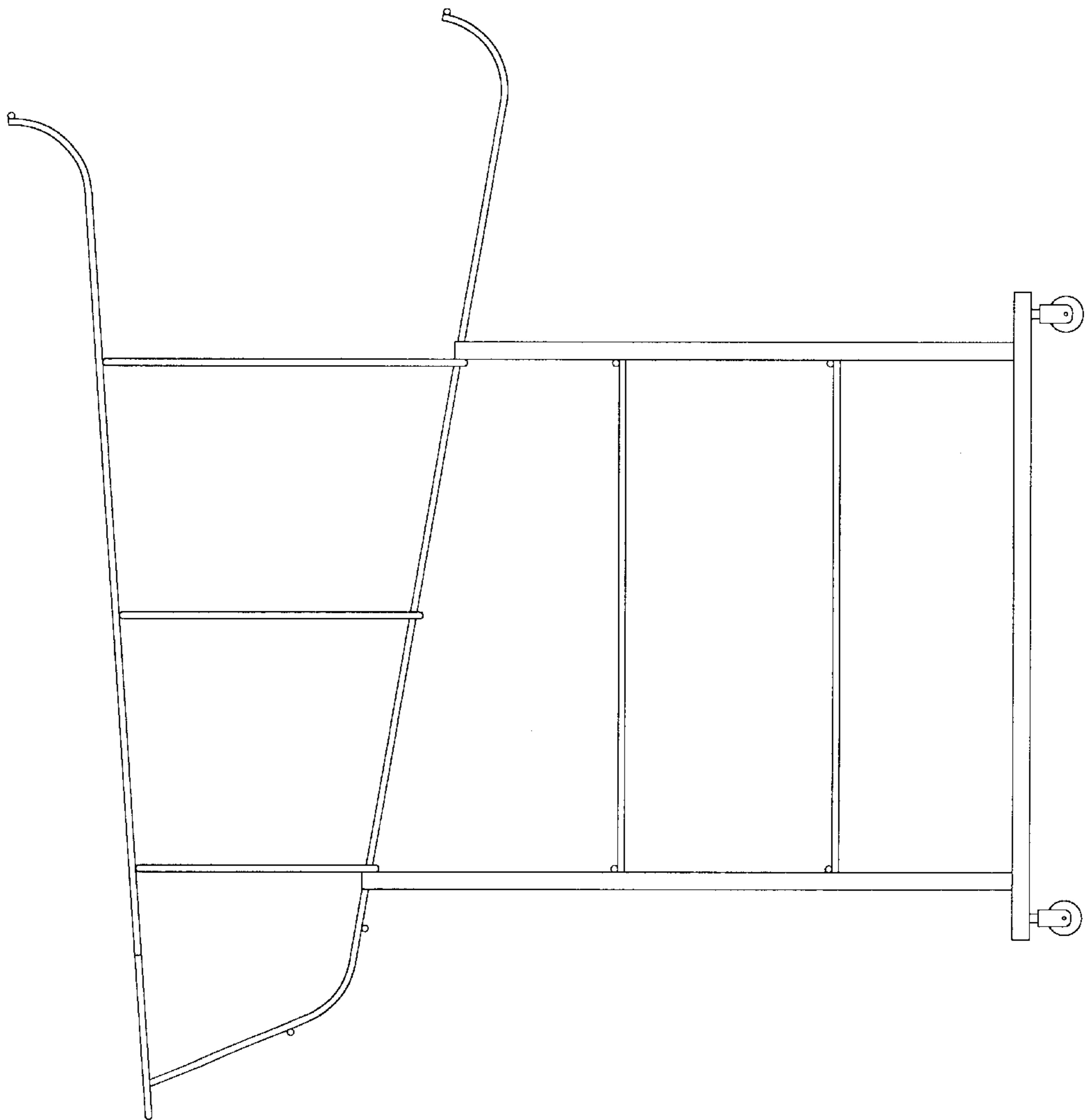


FIG. 5

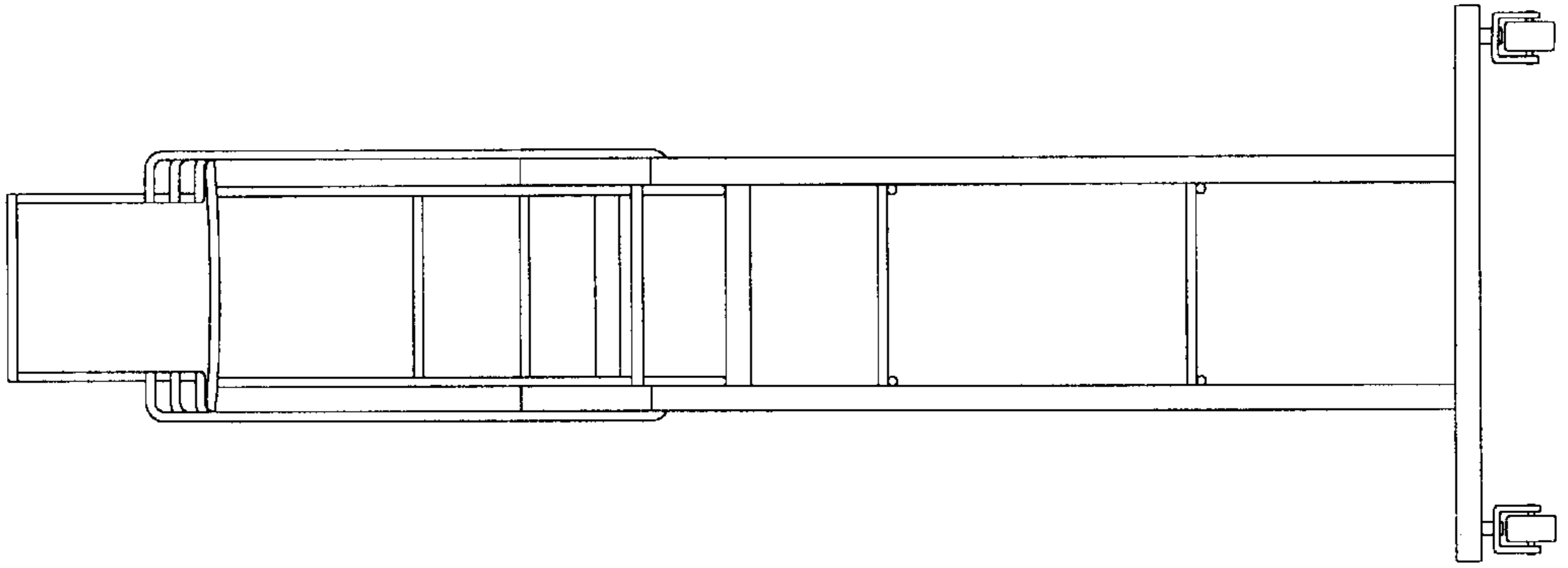


FIG. 4

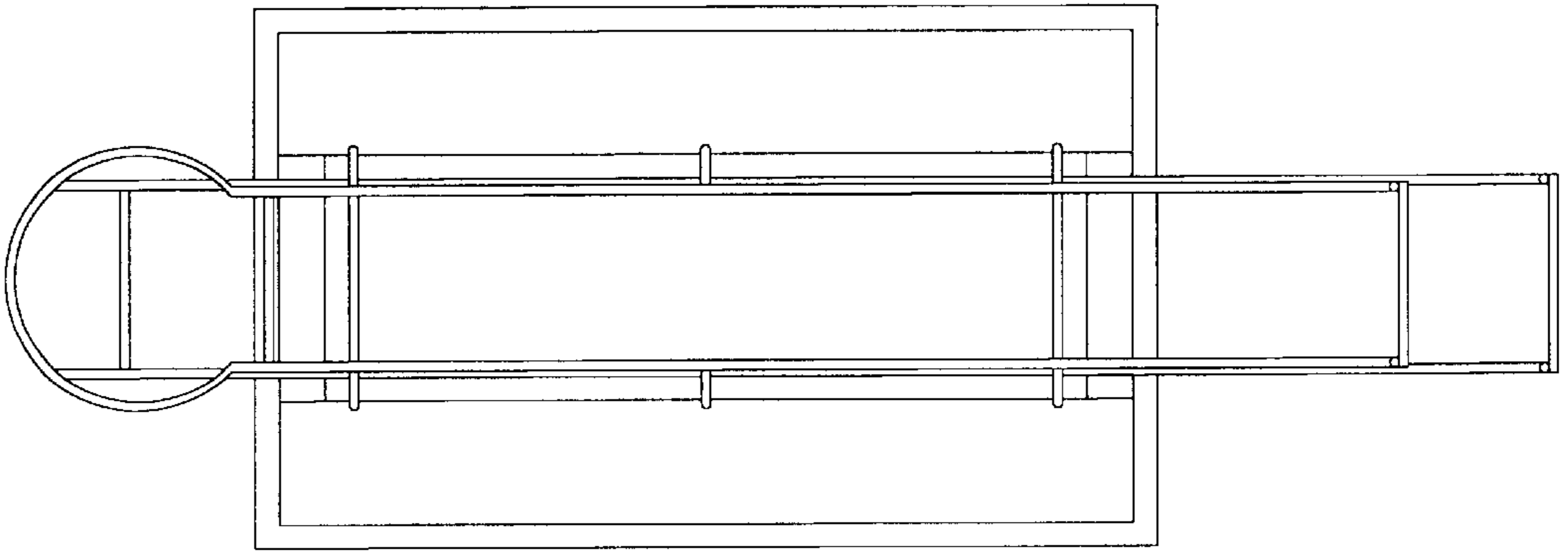


FIG. 3

