



US00D457762S

(12) **United States Design Patent**
Hawkins

(10) **Patent No.:** **US D457,762 S**

(45) **Date of Patent:** **** May 28, 2002**

(54) **EXTENSIBLE PARTS RACK**

(76) **Inventor:** **Michael D. Hawkins**, 920 N. Amelia Ave., San Dimas, CA (US) 91773

(**) **Term:** **14 Years**

(21) **Appl. No.:** **29/132,946**

(22) **Filed:** **Nov. 20, 2000**

(51) **LOC (7) Cl.** **06-06**

(52) **U.S. Cl.** **D6/513**

(58) **Field of Search** D6/512-514, 315,
D6/327; 211/60.1, 66, 86.01, 113, 162;
248/323, 339-340

(56) **References Cited**

U.S. PATENT DOCUMENTS

D174,489 S	*	4/1955	Brown	D6/514
D273,645 S	*	5/1984	McEvers	D6/513
D320,713 S	*	10/1991	Greenhut et al.	D6/513
D416,733 S	*	11/1999	Reeves	D6/553
D438,412 S	*	3/2001	Dolan	D6/513

* cited by examiner

Primary Examiner—Brian N. Vinson

(74) *Attorney, Agent, or Firm*—Boniard I. Brown

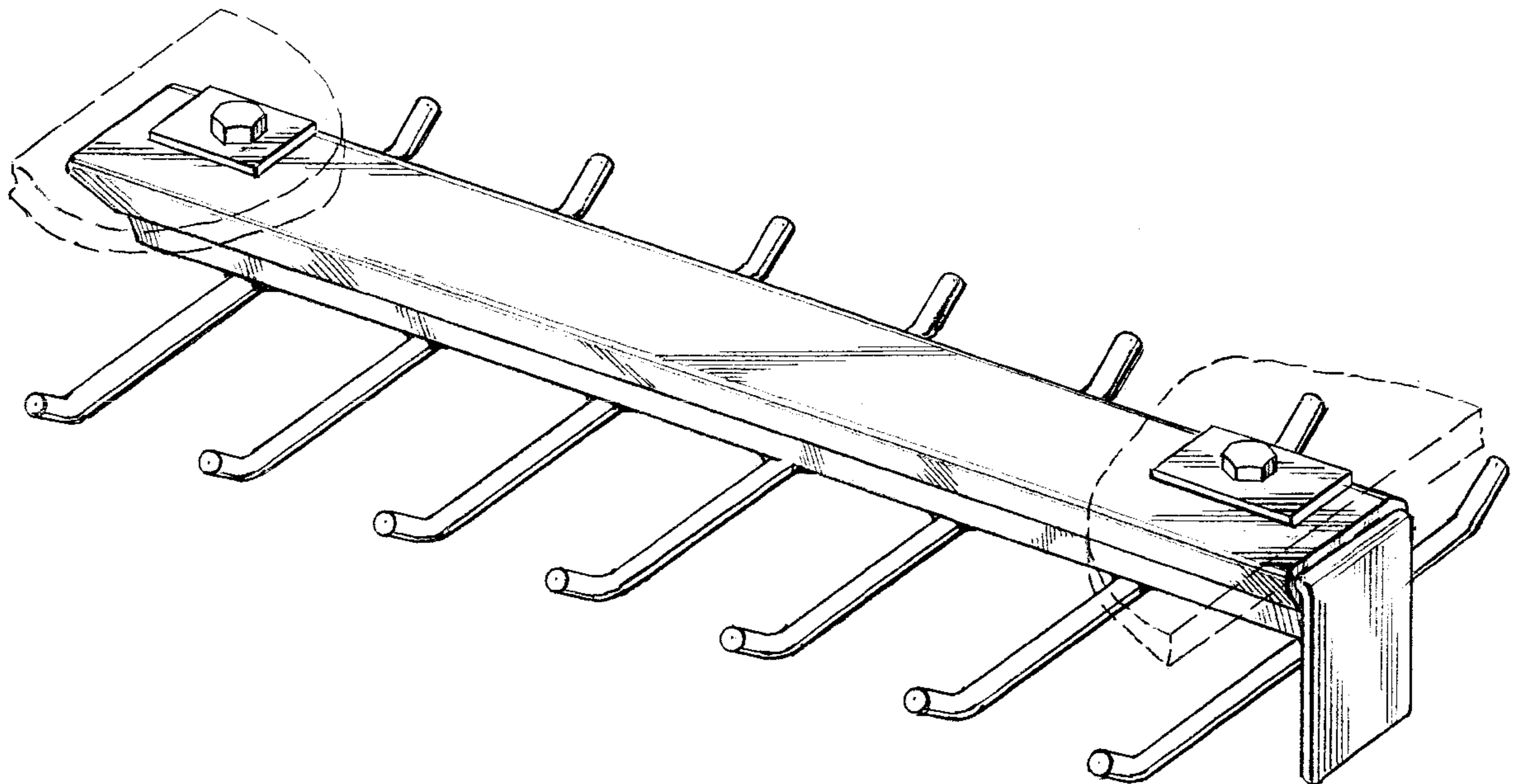
(57) **CLAIM**

The ornamental design for an extensible parts rack, as shown and described.

DESCRIPTION

FIG. 1 is an enlarged perspective view of an extensible parts rack, showing my new design;
 FIG. 2 is a perspective view of components of my design in extended telescoping relation;
 FIG. 3 is a side elevational view of FIG. 1;
 FIG. 4 is a bottom plan view of FIG. 1;
 FIG. 5 is a top plan view of FIG. 1;
 FIG. 6 is a side elevational view of FIG. 1, opposite the side shown in FIG. 3;
 FIG. 7 is an end view of FIG. 1; and,
 FIG. 8 is an end view opposite from the view of FIG. 7.
 The broken line showings of supportive structure in FIG. 1 is for illustrative purposes only and forms no part of the claimed design.

1 Claim, 2 Drawing Sheets



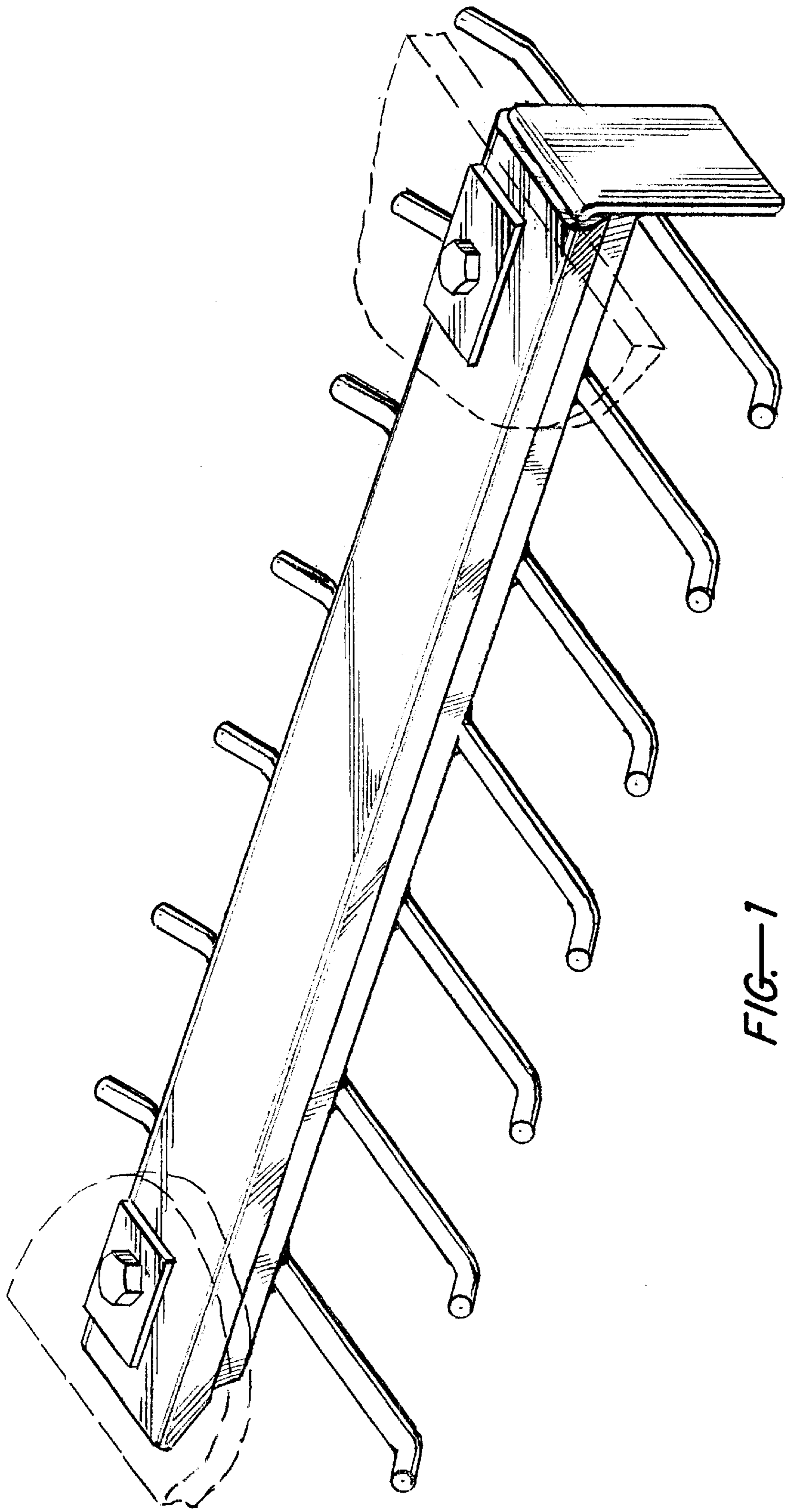


FIG.—1

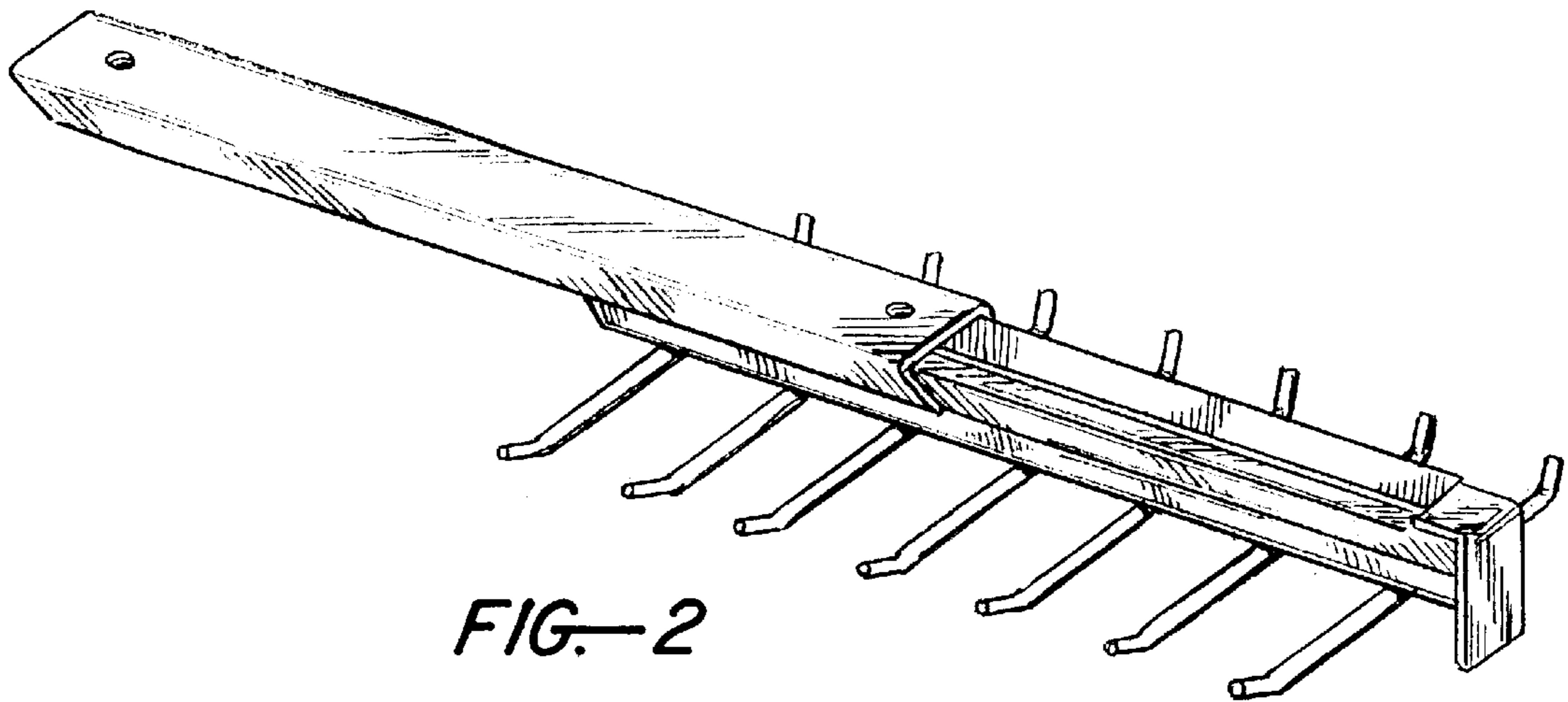


FIG.—2

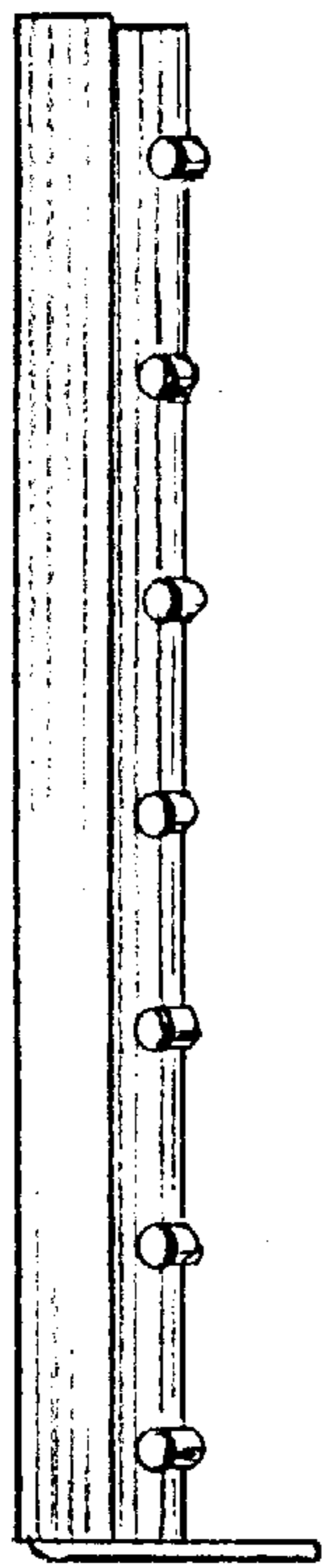


FIG.—3

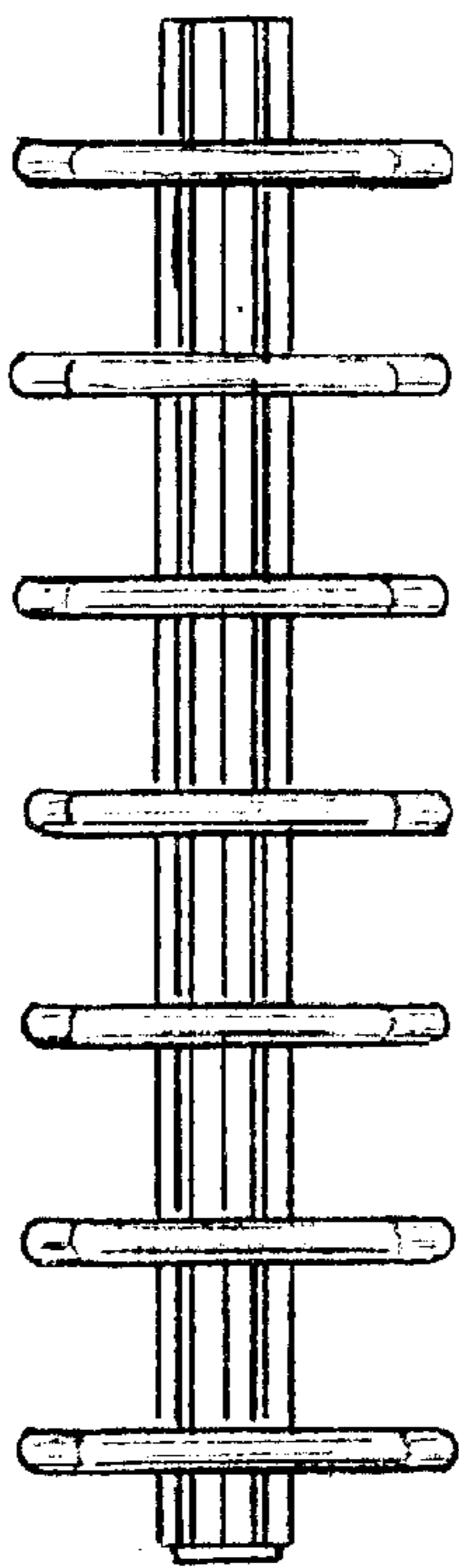


FIG.—4

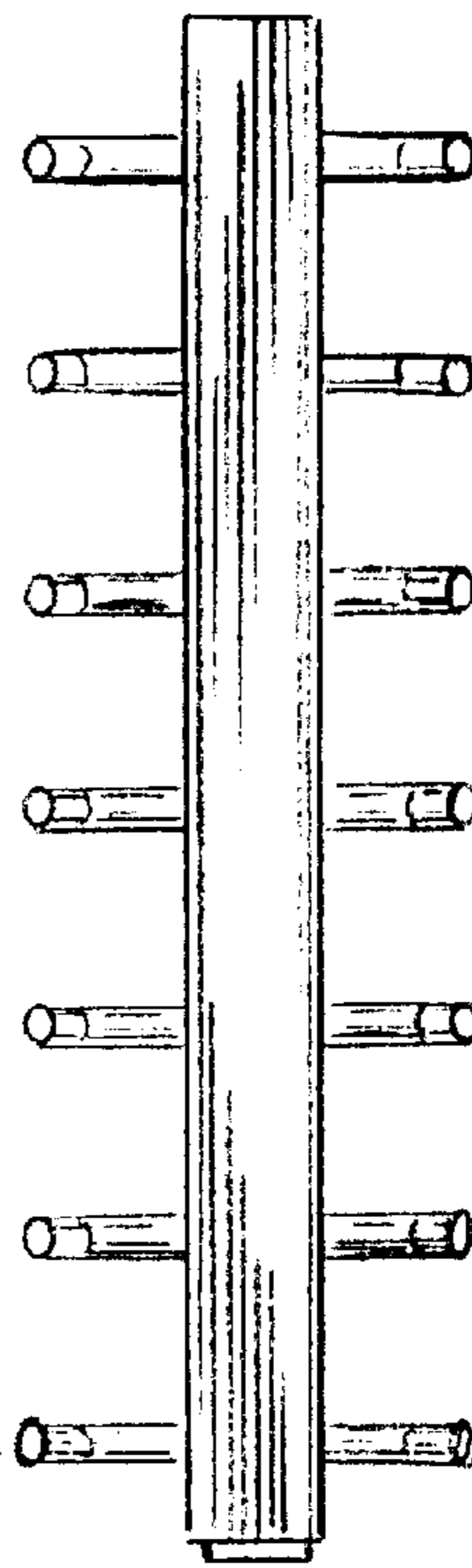


FIG.—5

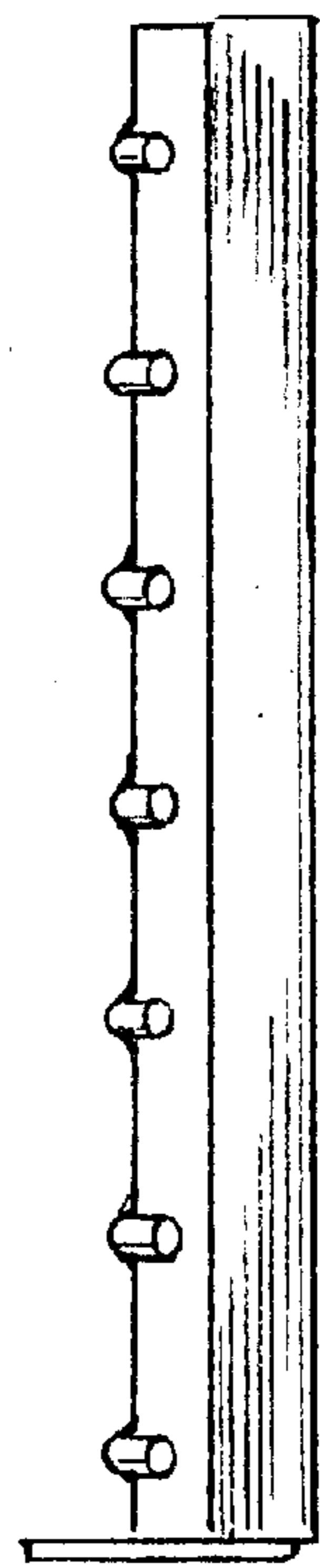


FIG.—6

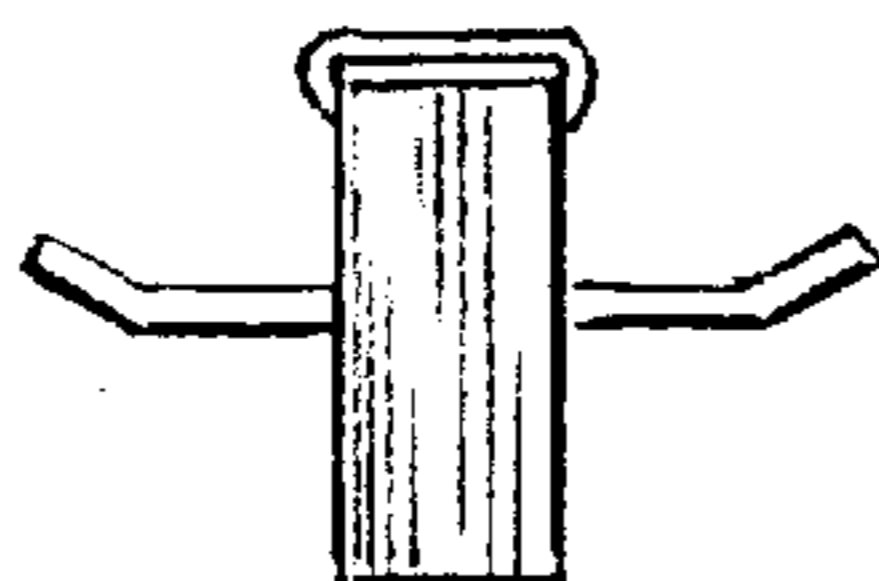


FIG.—7

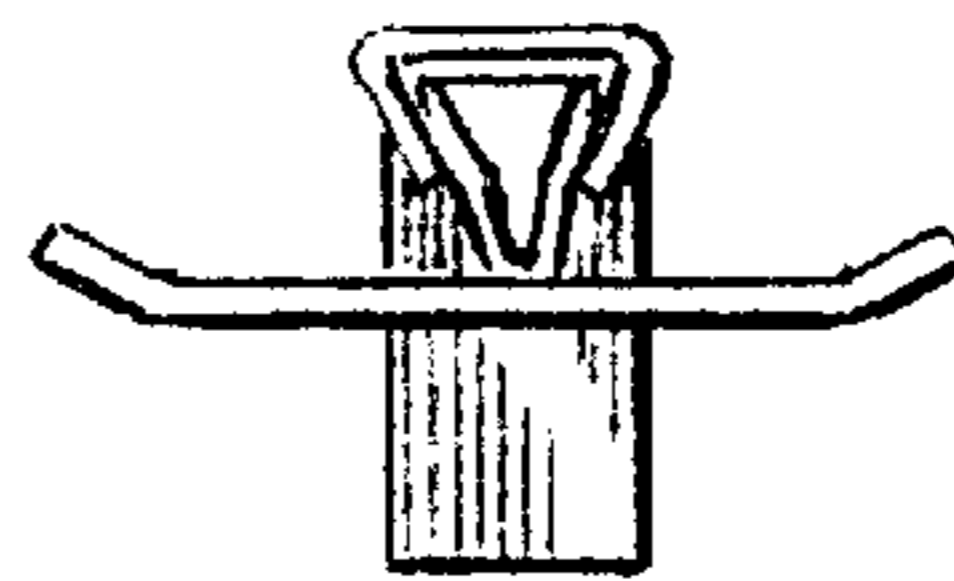


FIG.—8