



US00D457760S

(12) **United States Design Patent**  
**De Lucchi et al.**

(10) **Patent No.:** **US D457,760 S**

(45) **Date of Patent:** **\*\* May 28, 2002**

(54) **SEATING PORTION OF A CHAIR**

(75) Inventors: **Michele De Lucchi**, Milan (IT);  
**Gerhard Reichert**, Meersburg (DE)

(73) Assignee: **Mauser Office GmbH**, Korbach (DE)

(\*\*) Term: **14 Years**

(21) Appl. No.: **29/123,370**

(22) Filed: **May 16, 2000**

(30) **Foreign Application Priority Data**

Nov. 16, 1999 (DE) ..... 499 10 792

(51) **LOC (7) Cl.** ..... **06-06**

(52) **U.S. Cl.** ..... **D6/500**; D6/366

(58) **Field of Search** ..... D6/334, 364, 365,  
D6/366, 367, 500, 501, 502; 297/411.2,  
411.27

(56) **References Cited**

**U.S. PATENT DOCUMENTS**

- D309,385 S \* 7/1990 Buhk ..... D6/366
- D327,782 S \* 7/1992 Citterio ..... D6/366
- D330,809 S \* 11/1992 Citterio ..... D6/366
- D345,260 S \* 3/1994 Narita ..... D6/366

- D354,631 S \* 1/1995 Orlandini et al. .... D6/366
- D403,518 S \* 1/1999 Wilson ..... D6/366
- D403,520 S \* 1/1999 Wilson ..... D6/366
- D405,618 S \* 2/1999 Reutepohler et al. .... D6/366
- D410,799 S \* 6/1999 Meda ..... D6/366
- D422,802 S \* 4/2000 Deacon ..... D6/366
- D436,768 S \* 1/2001 Jenkins et al. .... D6/500

\* cited by examiner

*Primary Examiner*—Gary D. Watson

(74) *Attorney, Agent, or Firm*—Herbert Dubno

(57) **CLAIM**

The ornamental design for a seating portion of a chair, as shown and described.

**DESCRIPTION**

FIG. 1 is a front, top left-side perspective view of a seating portion of a chair showing our new design; FIG. 2 is a front elevational view thereof; FIG. 3 is a left-side elevational view thereof; FIG. 4 is a rear view thereof; FIG. 5 is a right-side elevational view thereof; and, FIG. 6 is a top plan view thereof.

The broken lines are for illustrative purposes only and form no part of the claimed design.

**1 Claim, 6 Drawing Sheets**

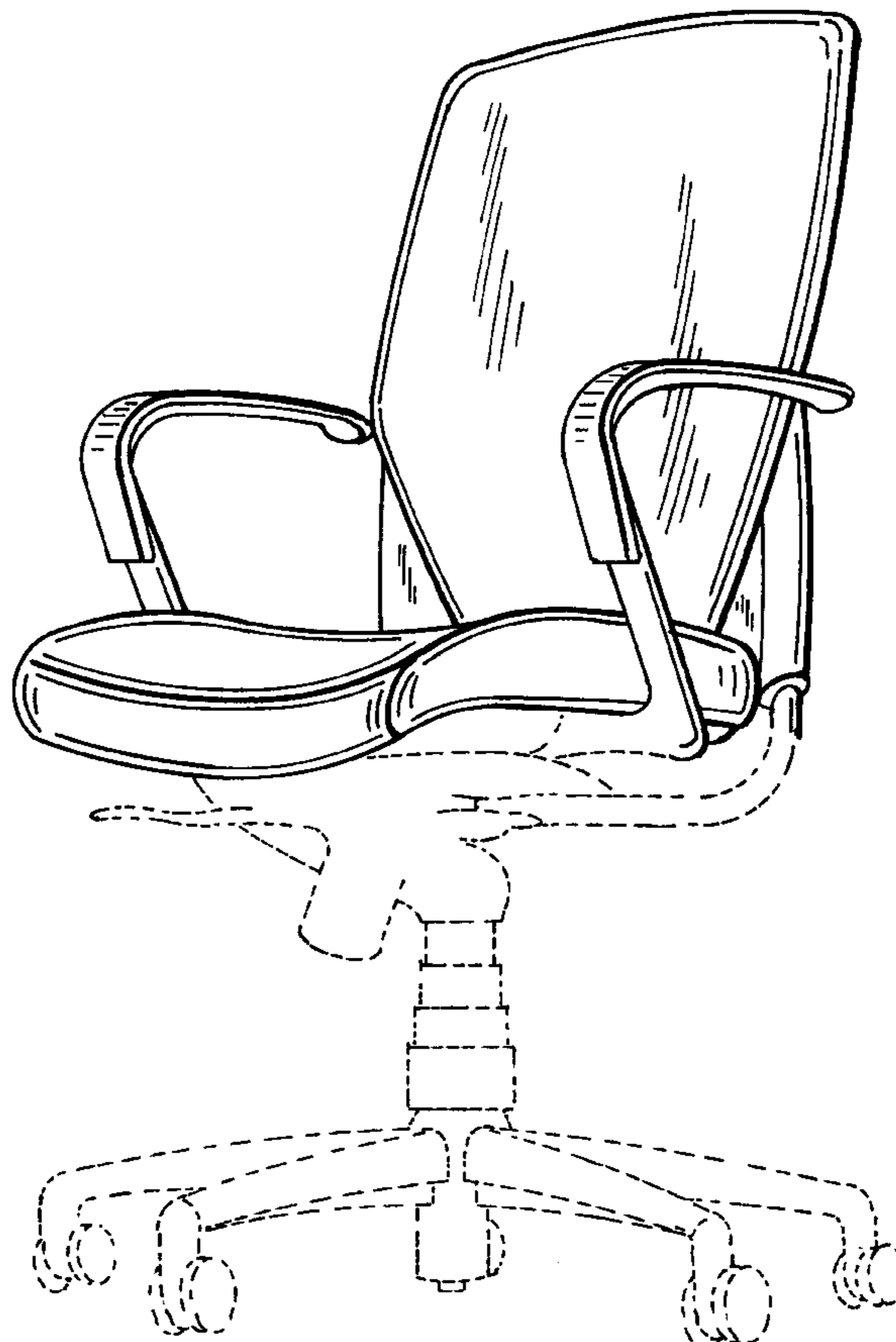


FIG. 1

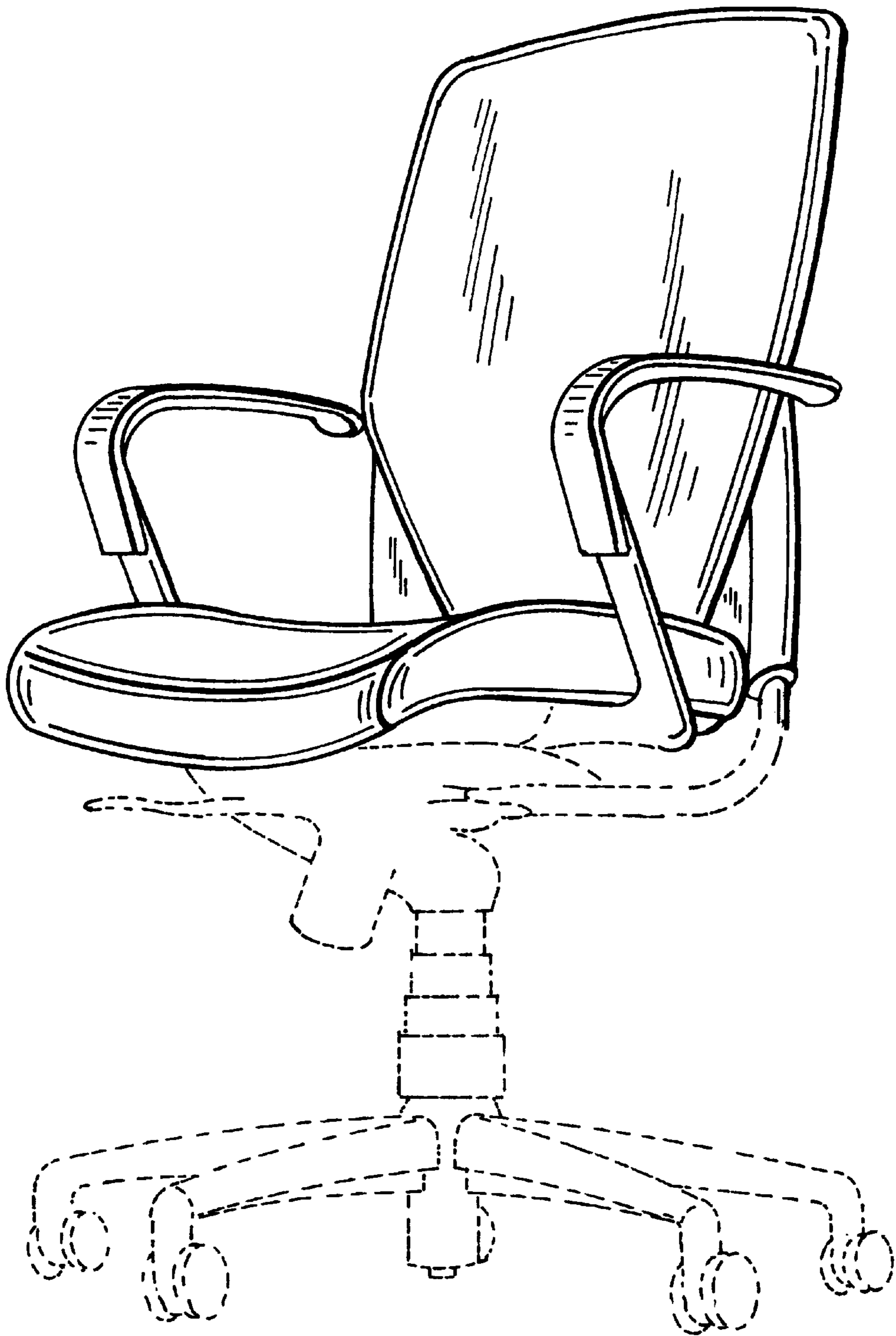


FIG. 2

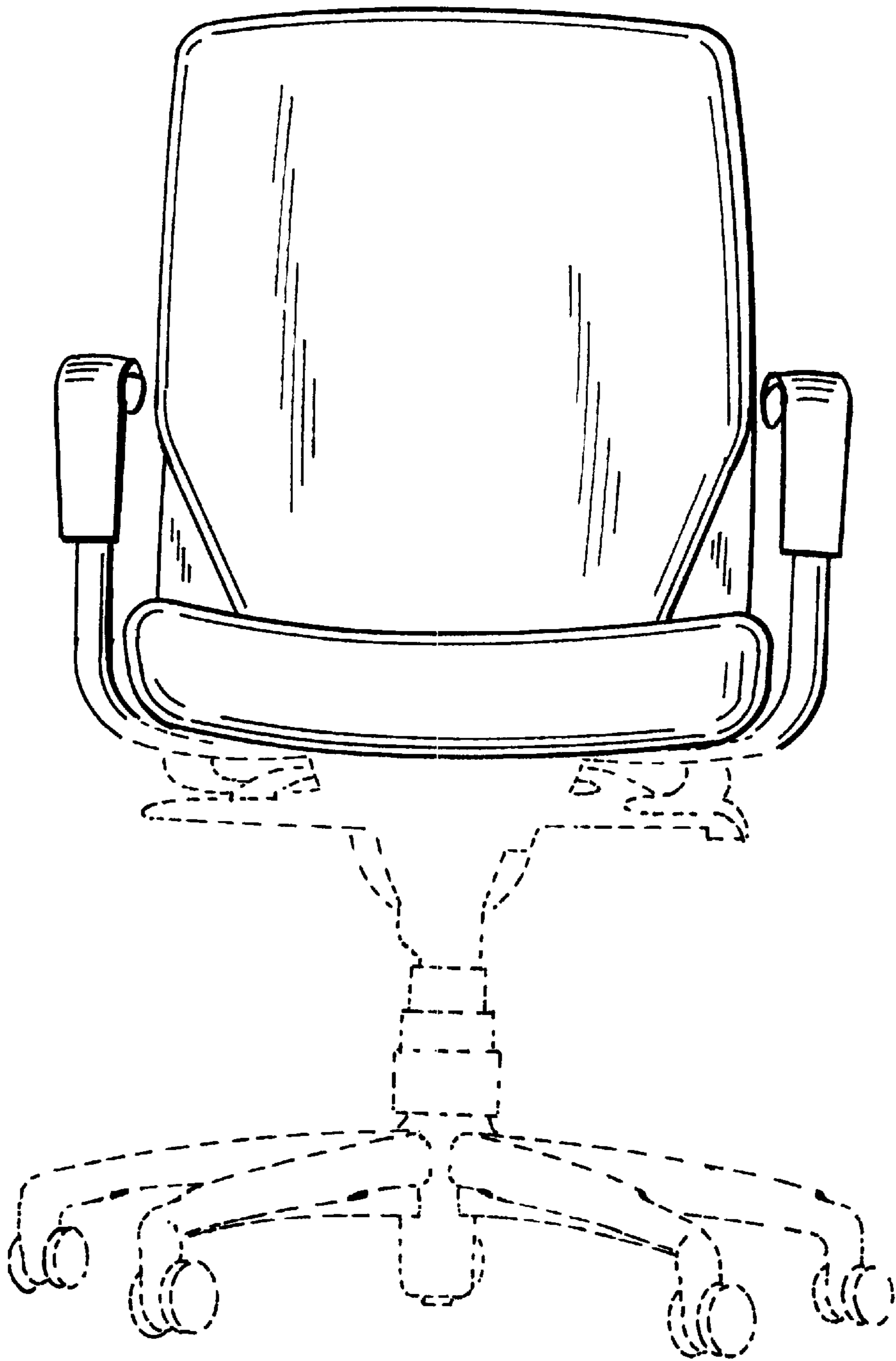


FIG. 3

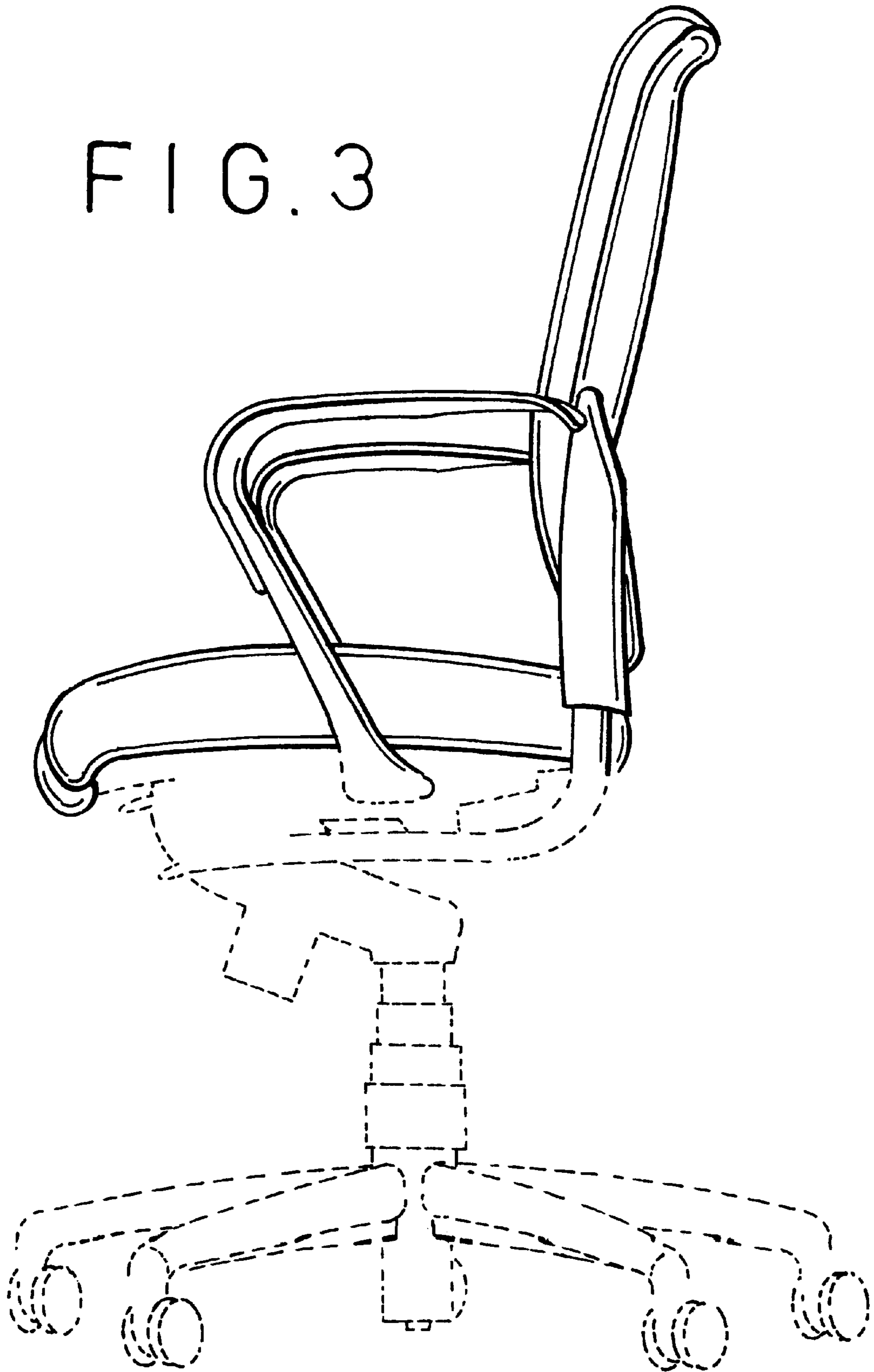
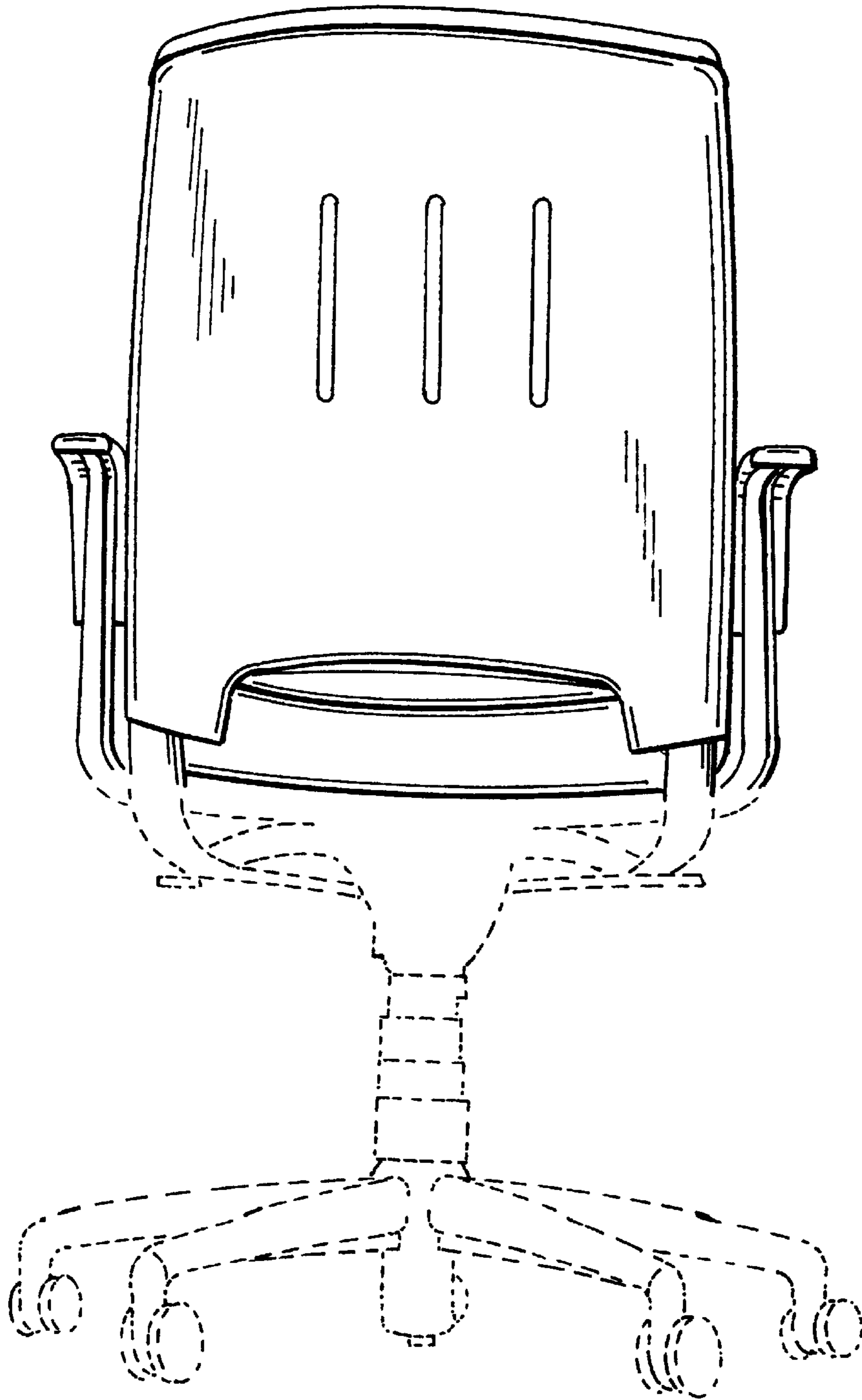


FIG. 4



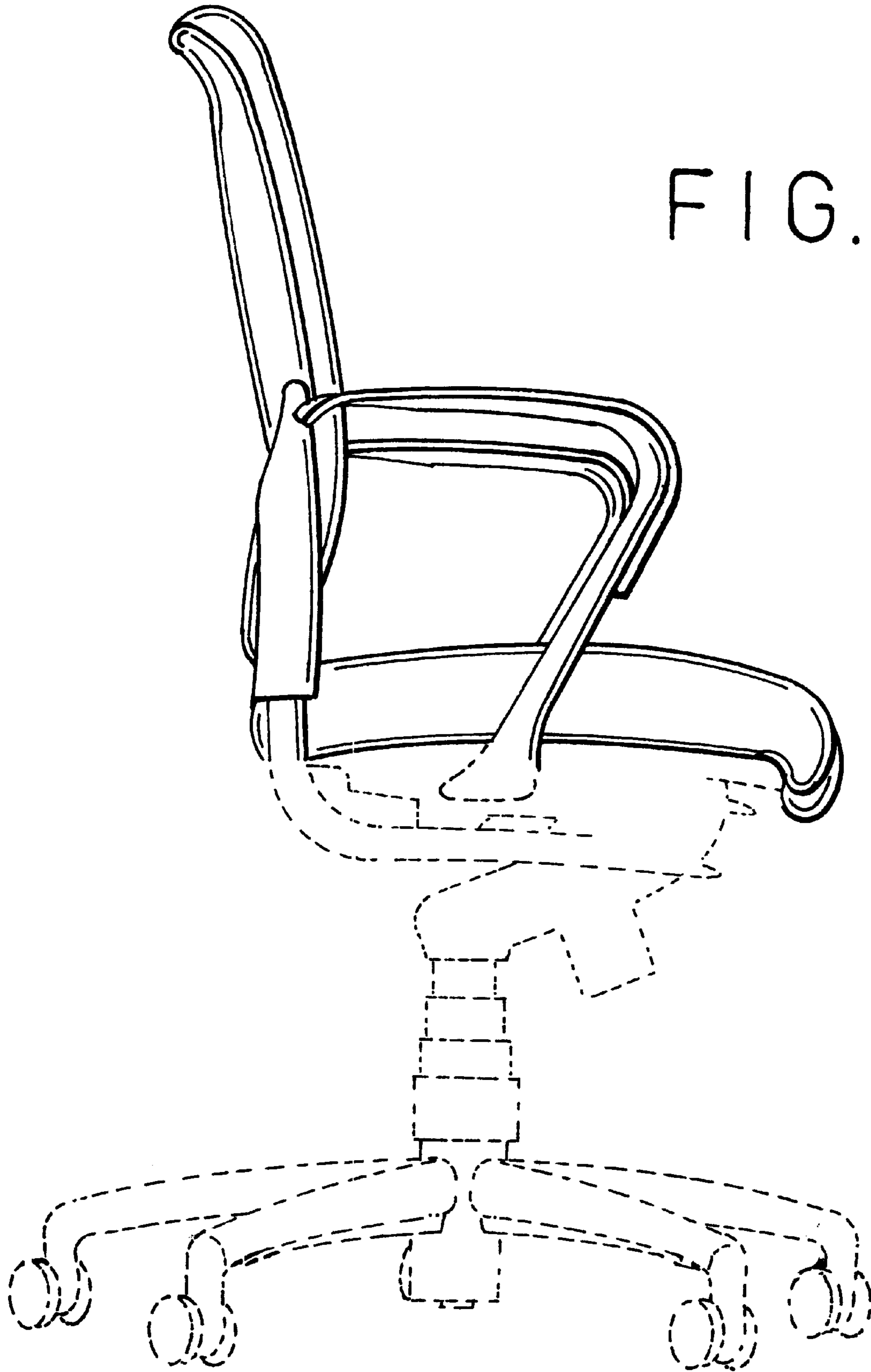


FIG. 5

FIG. 6

