



US00D457759S

(12) **United States Design Patent**
O'Hare et al.

(10) **Patent No.:** **US D457,759 S**

(45) **Date of Patent:** **** May 28, 2002**

(54) **TABLE**

(75) Inventors: **Timothy Michael O'Hare**, Greensboro;
Shawn Christopher Stanton, High
Point, both of NC (US)

(73) Assignee: **Bernhardt, L.L.C.**, Lenoir, NC (US)

(**) Term: **14 Years**

(21) Appl. No.: **29/139,605**

(22) Filed: **Apr. 3, 2001**

(51) **LOC (7) Cl.** **06-03**

(52) **U.S. Cl.** **D6/480**

(58) **Field of Search** D6/480-489, 495,
D6/429-431; 108/150, 151, 153.1, 155,
156, 157.1, 161; 248/188, 188.1, 188.8

(56) **References Cited**

U.S. PATENT DOCUMENTS

D290,796 S * 7/1987 Becker D6/480

D369,926 S * 5/1996 Keller D6/480

D448,951 S * 10/2001 O'Hare et al. D6/480

D451,310 S * 12/2001 Schwartz et al. D6/495

* cited by examiner

Primary Examiner—Janice E. Seeger

(74) *Attorney, Agent, or Firm*—MacCord Mason PLLC

(57) **CLAIM**

The ornamental design for a table, as shown and described.

DESCRIPTION

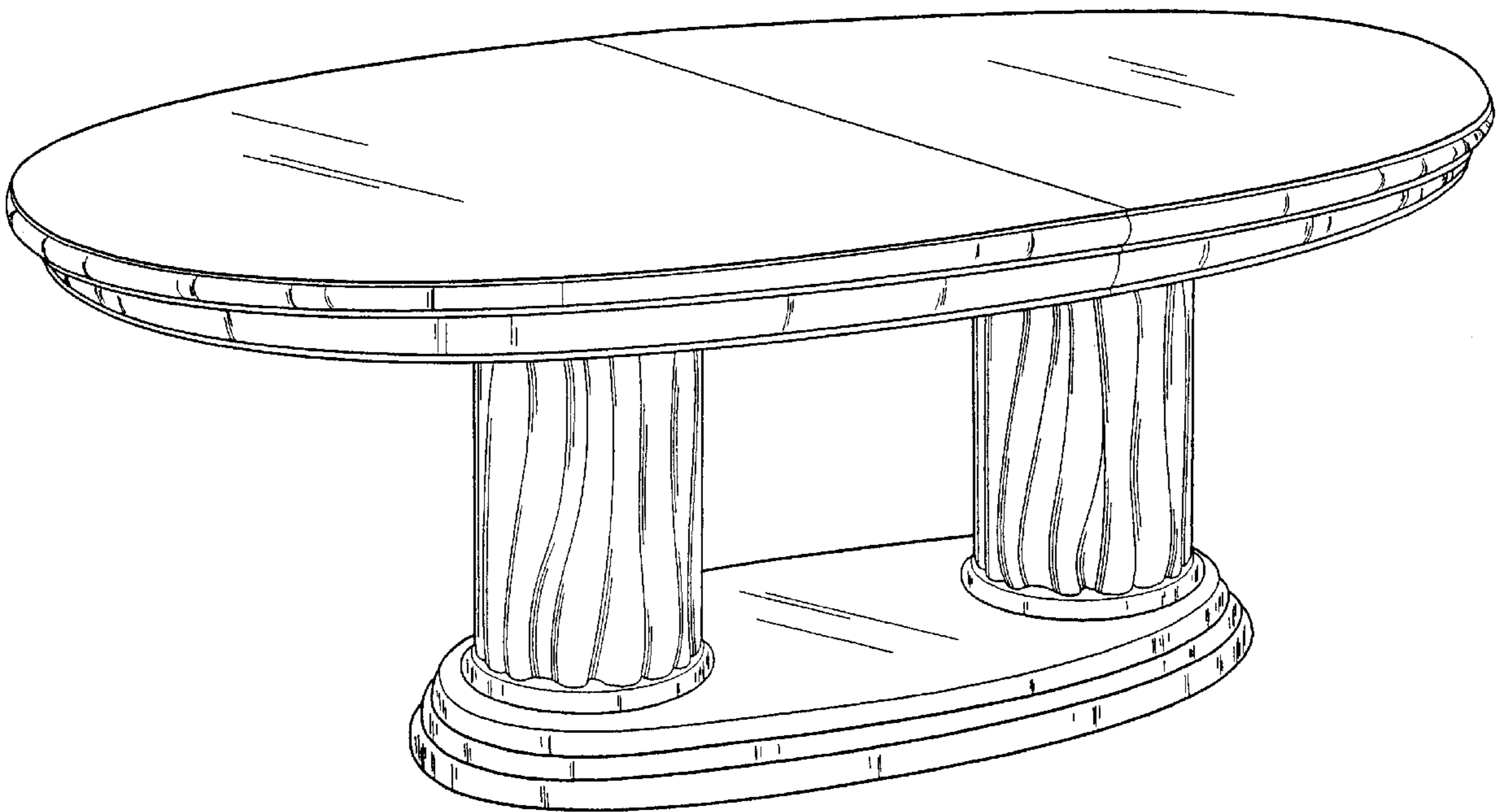
FIG. 1 is a perspective view of a table showing my new design;

FIG. 2 is a side elevational view, the opposite side being a mirror image thereof;

FIG. 3 is an end elevational view, the opposite end being a mirror image thereof; and,

FIG. 4 is a top view thereof.

1 Claim, 4 Drawing Sheets



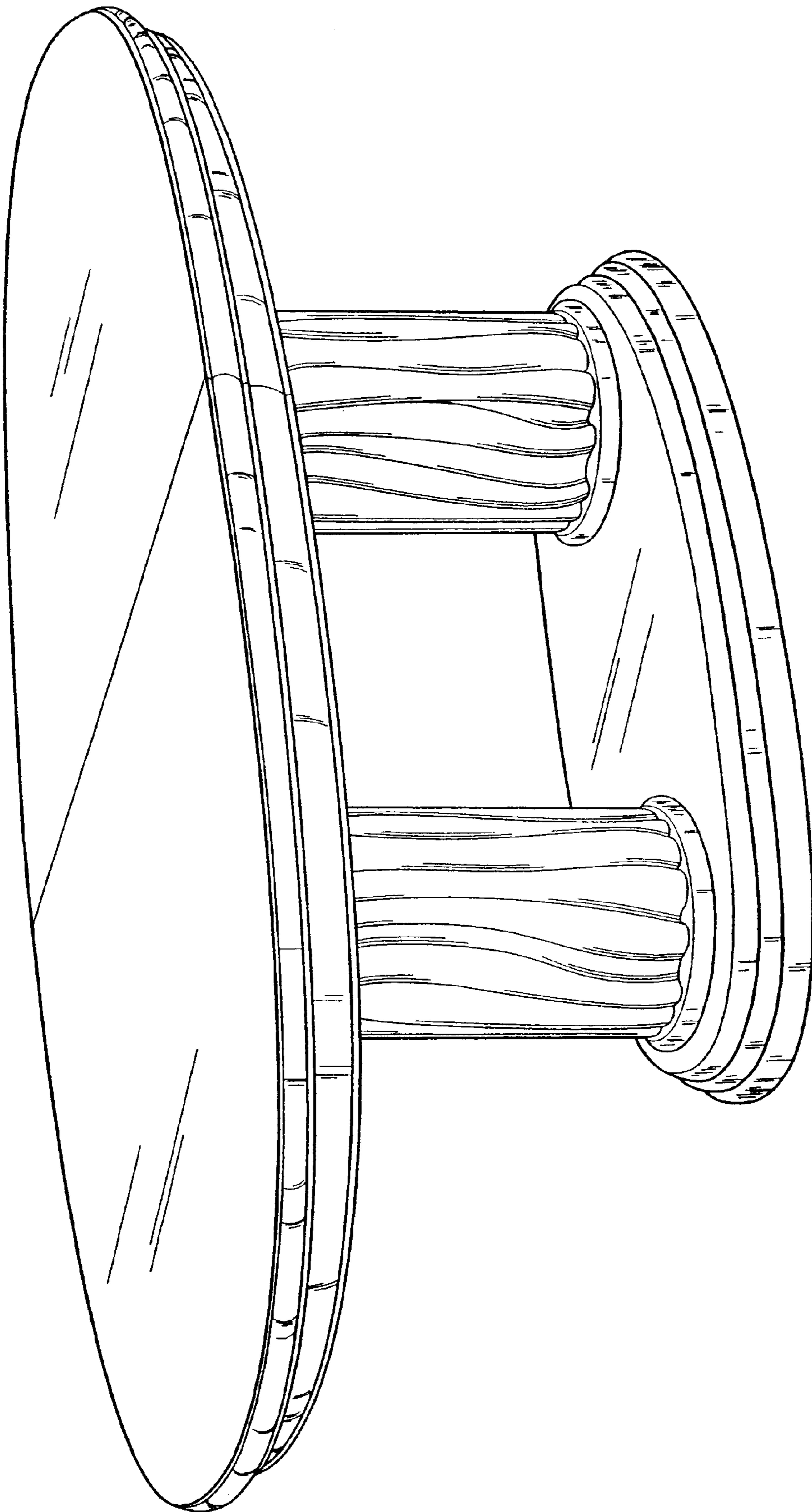


FIG. 1

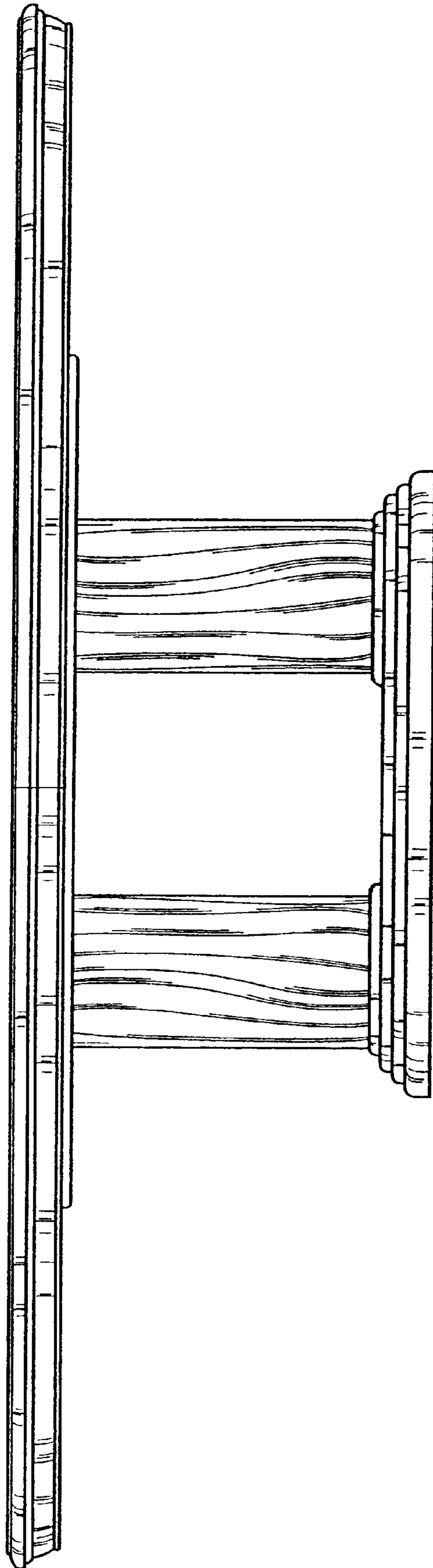


FIG. 2

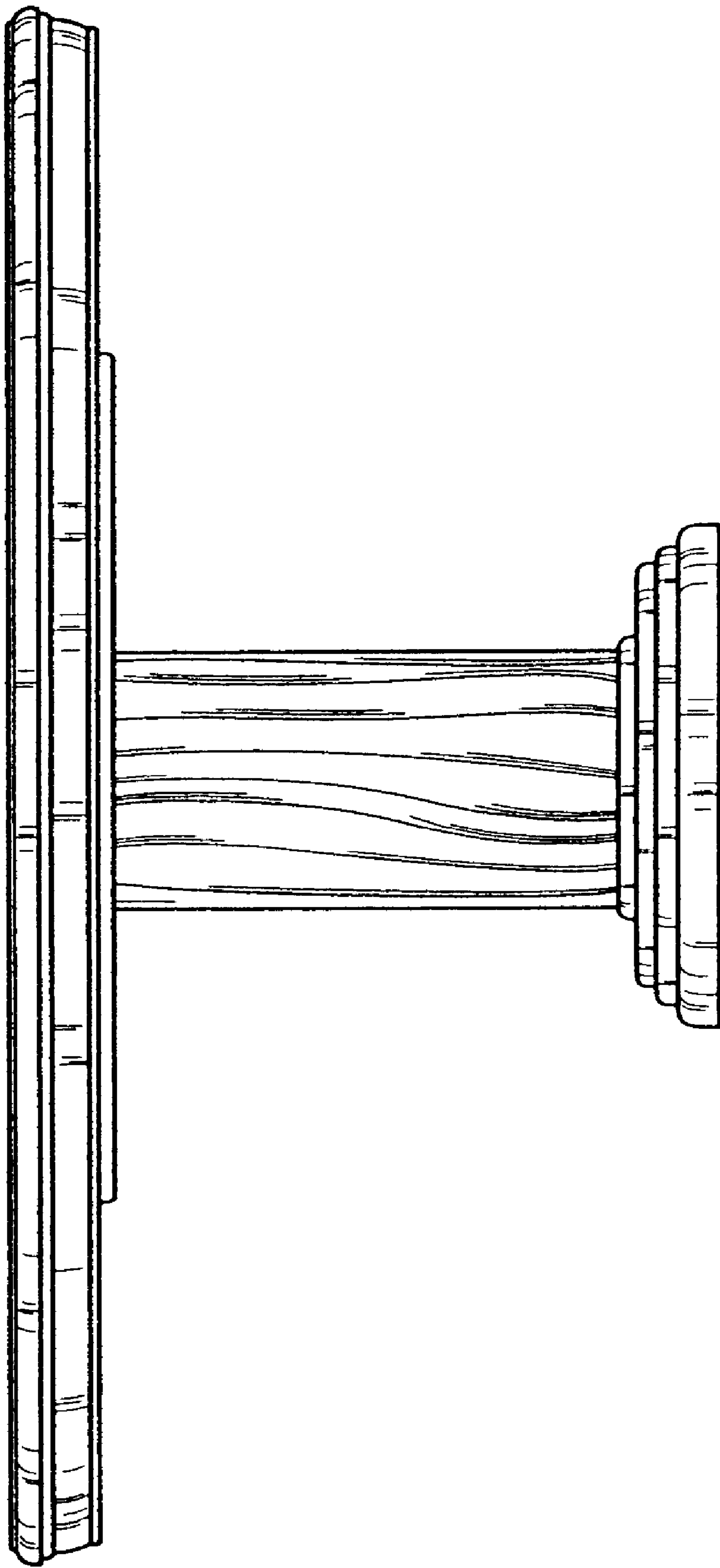


FIG. 3

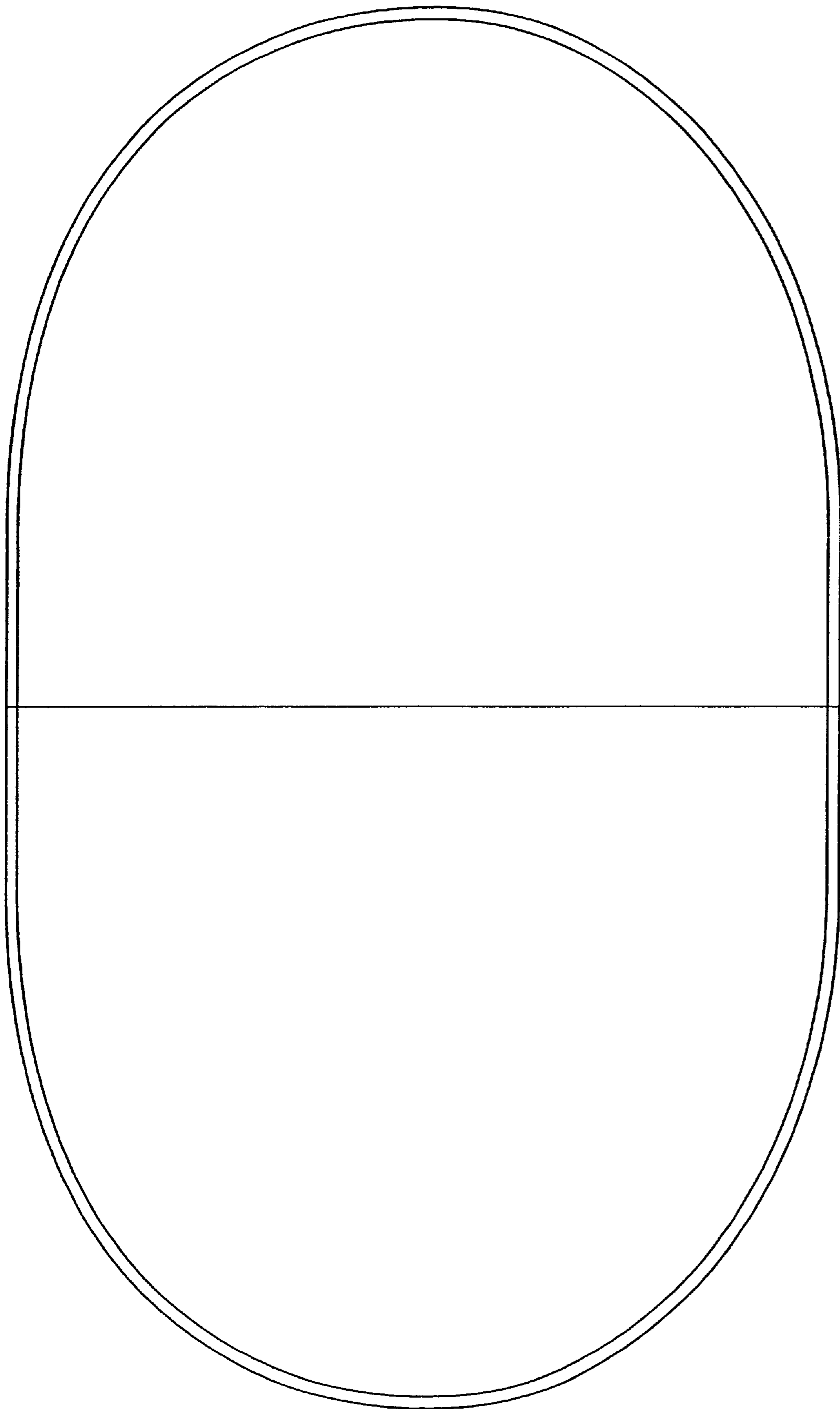


FIG. 4