



US00D457756S

(12) **United States Design Patent**
Satterthwaite

(10) **Patent No.:** **US D457,756 S**

(45) **Date of Patent:** **** May 28, 2002**

(54) **MULTI-PURPOSE STAND/TABLE**

D296,275 S * 6/1988 Fisher et al. D6/419
D401,774 S * 12/1998 Burke et al. D6/419

(75) Inventor: **Robert John Satterthwaite**, King of Prussia, PA (US)

OTHER PUBLICATIONS

Ethan Allen c1988, p. 293, table legs at lower left.*

* cited by examiner

(73) Assignee: **Robert J. Satterthwaite**, Philadelphia, PA (US)

Primary Examiner—Janice E. Seeger

(**) Term: **14 Years**

(57) **CLAIM**

(21) Appl. No.: **29/131,811**

The ornamental design for a multi-purpose stand/table, as shown and described.

(22) Filed: **Oct. 26, 2000**

(51) **LOC (7) Cl.** **06-04**

DESCRIPTION

(52) **U.S. Cl.** **D6/480; D6/419; D6/486**

(58) **Field of Search** D6/480-489, 495-499,
D6/477, 470, 419; 108/153.1, 157.1, 155,
156, 23, 161, 25, 26

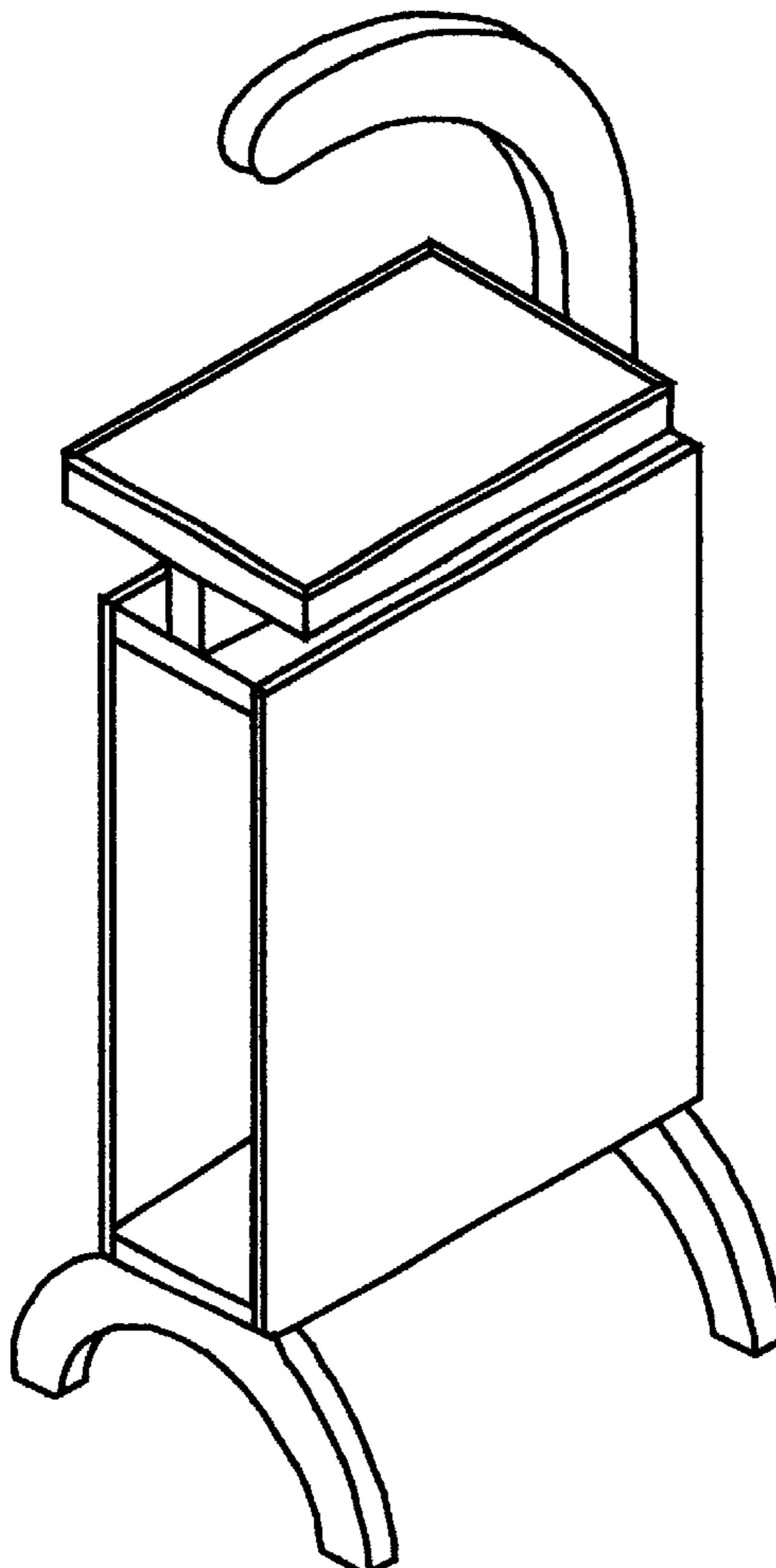
FIG. 1 is a frontal elevation view of thereof;
FIG. 2 is a rear elevation view of thereof
FIG. 3 is a aerial elevation view of thereof
FIG. 4 is a side elevation & opposite side view of thereof;
and,
FIG. 5 is a rotated/angle elevation view of a multi-purpose stand/table showing my new design.

(56) **References Cited**

U.S. PATENT DOCUMENTS

D188,939 S * 10/1960 Toning D6/419
4,654,762 A * 3/1987 Laverick 108/23 X

1 Claim, 5 Drawing Sheets



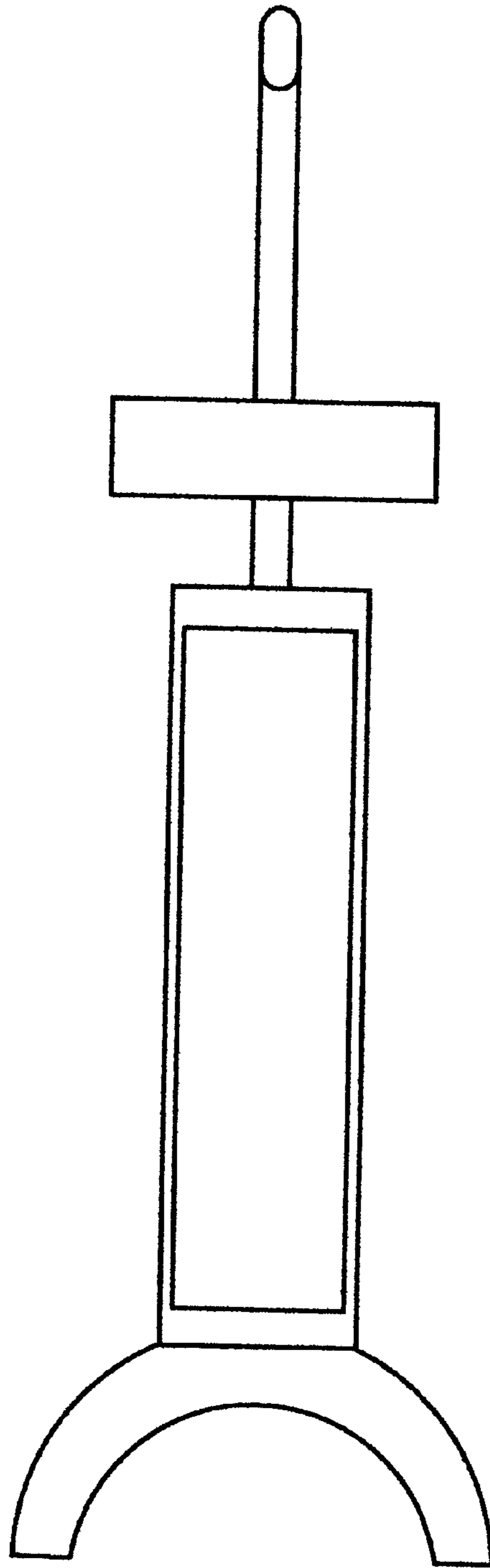


FIG 1

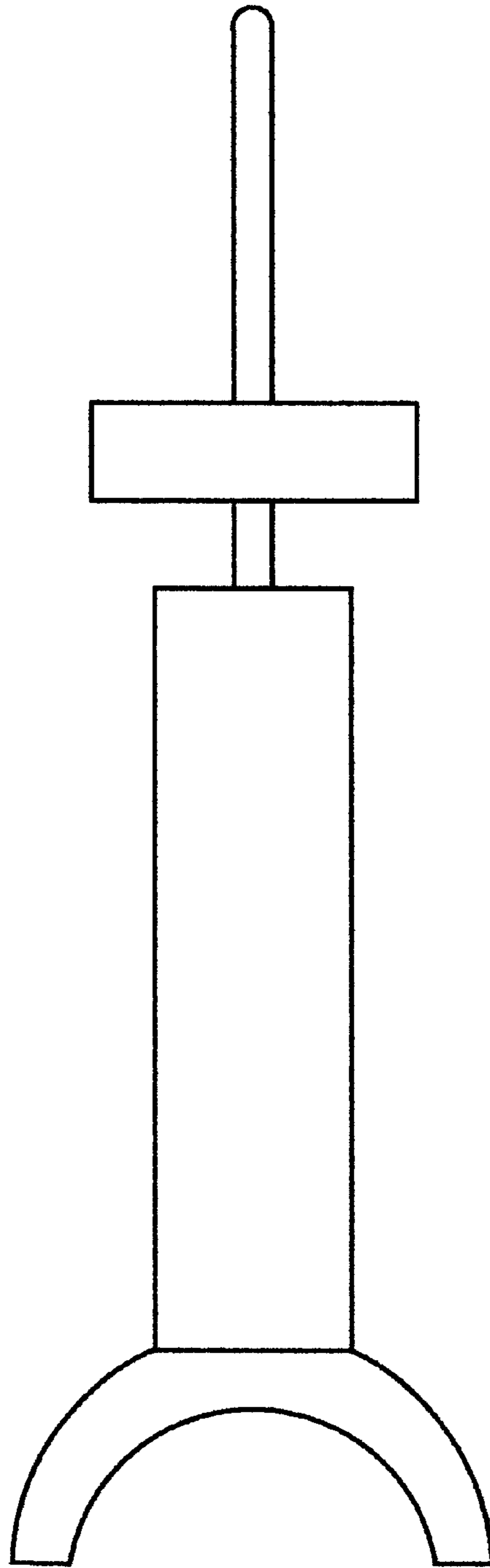


FIG 2

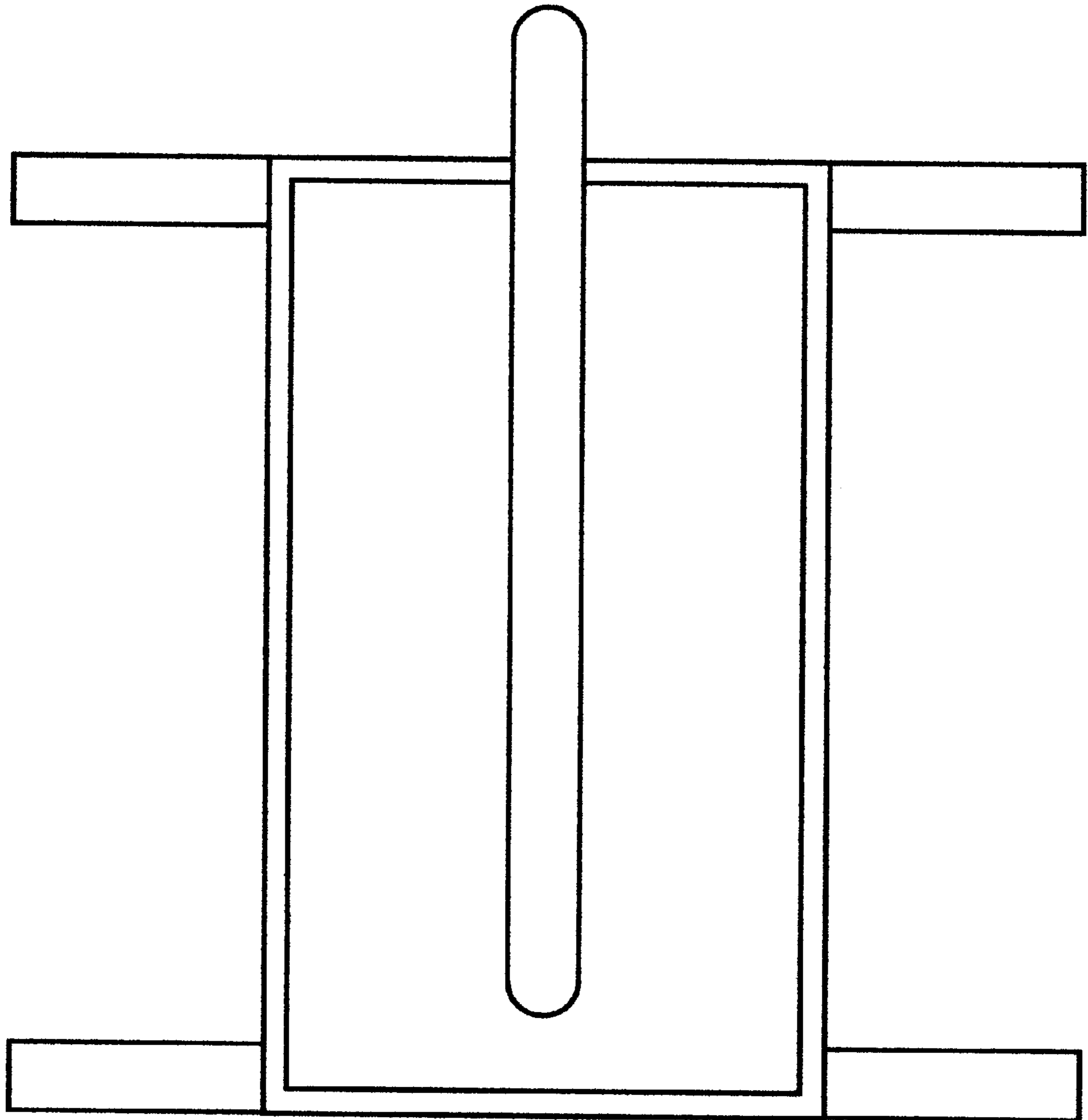


FIG 3

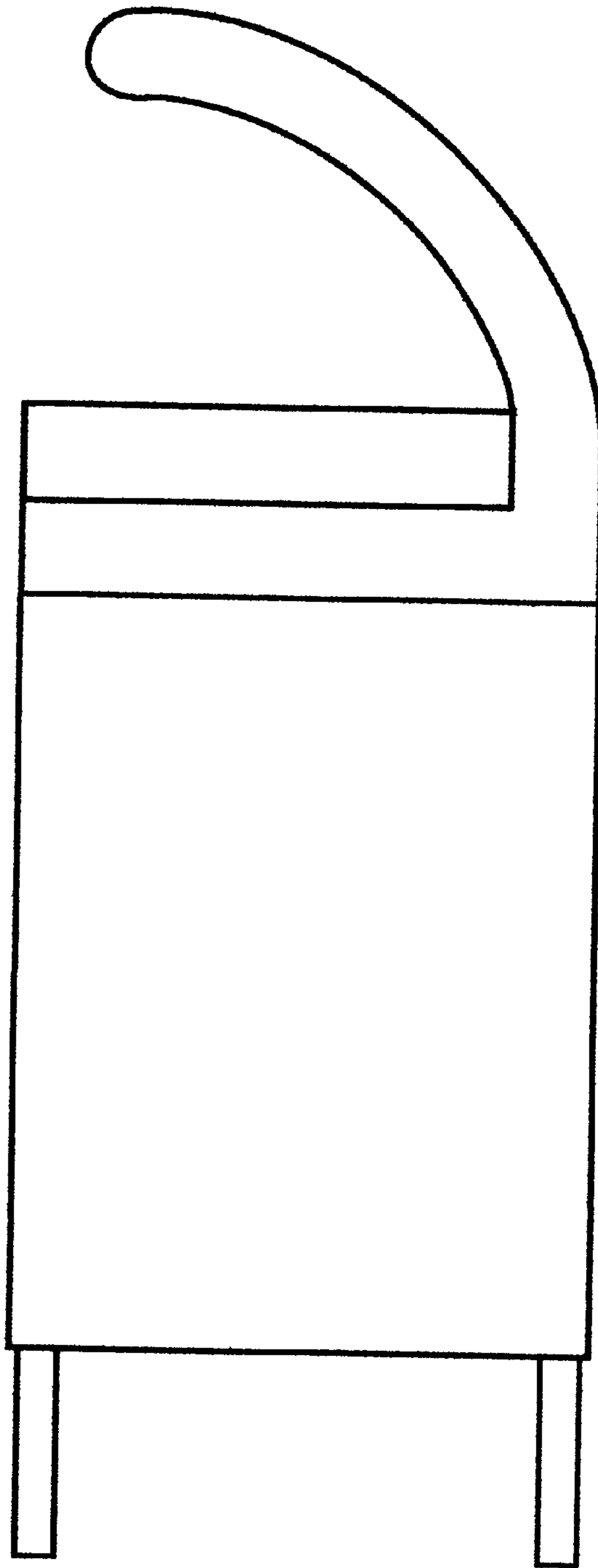


FIG 4

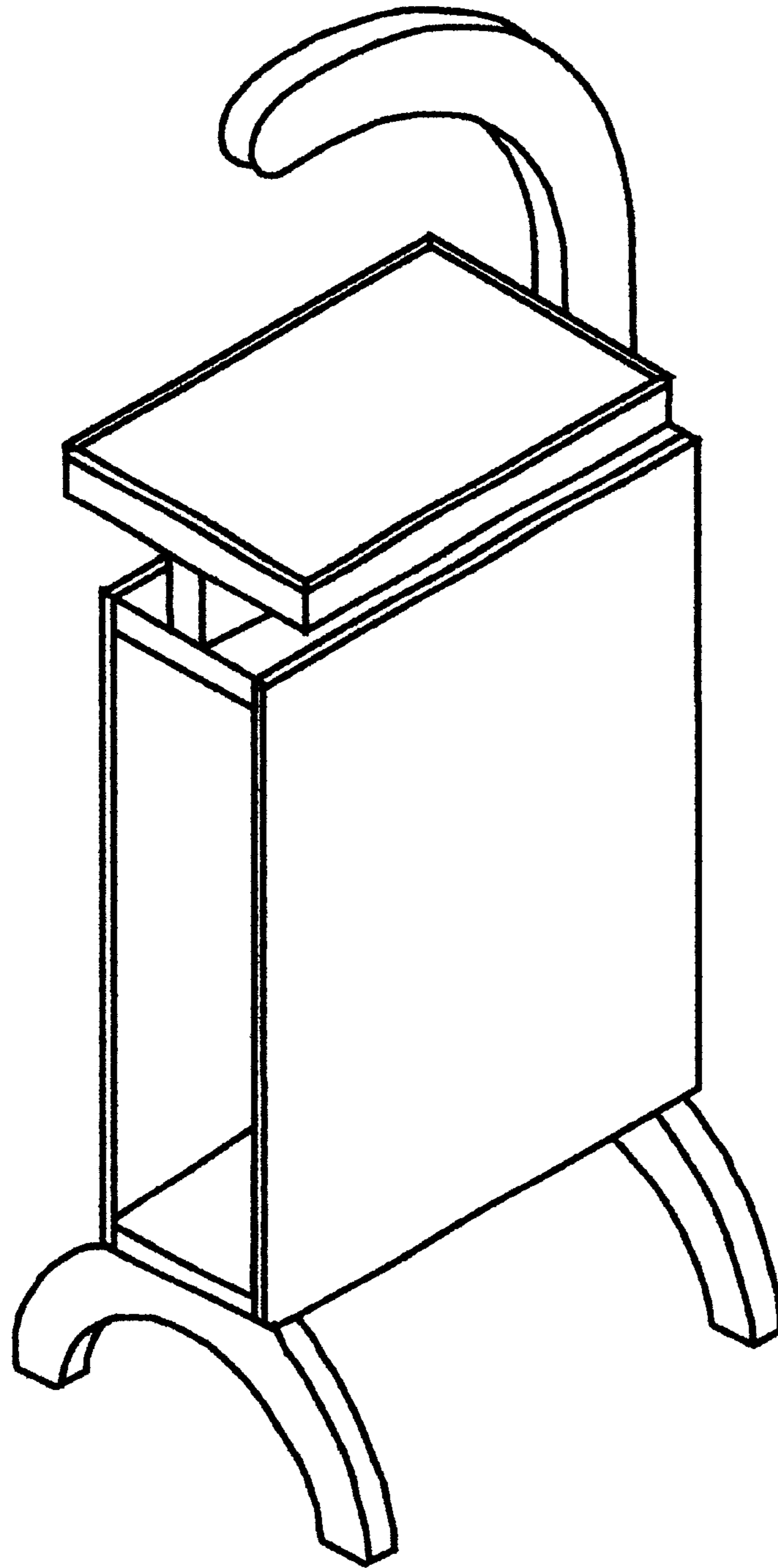


FIG 5