



US00D457752S

(12) **United States Design Patent**  
**Wood et al.**

(10) **Patent No.:** **US D457,752 S**

(45) **Date of Patent:** **\*\* May 28, 2002**

(54) **FOLDABLE SHELF**

(75) Inventors: **George W. Wood; Julie R. McAdam,**  
both of Minnetonka, MN (US)

(73) Assignee: **Lockermate Corporation,** Minneapolis,  
MN (US)

(\*\*) Term: **14 Years**

(21) Appl. No.: **29/143,994**

(22) Filed: **Jun. 25, 2001**

|             |   |         |                   |       |             |
|-------------|---|---------|-------------------|-------|-------------|
| 4,191,160 A | * | 3/1980  | Elliott           | ..... | 211/181.1 X |
| 4,226,190 A |   | 10/1980 | Ashton            |       |             |
| 4,444,320 A |   | 4/1984  | Chap              |       |             |
| 4,500,146 A |   | 2/1985  | Peterson          |       |             |
| 4,732,284 A |   | 3/1988  | Remmers           |       |             |
| 4,953,473 A | * | 9/1990  | Tomaka et al.     | ..... | D6/462 X    |
| 5,035,335 A | * | 7/1991  | Massoudnia        | ..... | 211/188     |
| 5,074,223 A |   | 12/1991 | Remmers           |       |             |
| 5,097,971 A | * | 3/1992  | Norris et al.     | ..... | 211/126.6   |
| 5,137,160 A |   | 8/1992  | Santucci          |       |             |
| 5,152,407 A | * | 10/1992 | Massoudnia et al. | ....  | 211/126.8   |
| 5,421,646 A |   | 6/1995  | McNamara et al.   |       |             |
| 5,746,331 A |   | 5/1998  | Kurtis            |       |             |
| D413,218 S  | * | 8/1999  | Doty              | ..... | D6/511      |

**Related U.S. Application Data**

(62) Division of application No. 09/860,741, filed on May 18, 2001.

(51) **LOC (7) Cl.** ..... **06-04**

(52) **U.S. Cl.** ..... **D6/462; D6/429**

(58) **Field of Search** ..... D6/396, 429, 449,  
D6/458, 462, 487; 108/132; 211/38, 85.31,  
195, 201, 181.1

**References Cited**

**U.S. PATENT DOCUMENTS**

|             |           |              |                   |
|-------------|-----------|--------------|-------------------|
| 1,549,146 A | 8/1925    | Miner        |                   |
| D113,409 S  | * 2/1939  | Vavrik       | ..... D6/462      |
| 3,322,077 A | 5/1967    | Kovacik      |                   |
| D229,261 S  | * 11/1973 | Russo        | ..... D6/462      |
| 3,905,286 A | * 9/1975  | Grady        | ..... 211/181.1 X |
| 4,117,783 A | 10/1978   | Eckel et al. |                   |
| 4,155,311 A | 5/1979    | Jackovin     |                   |

\* cited by examiner

*Primary Examiner*—Cathron C. Brooks

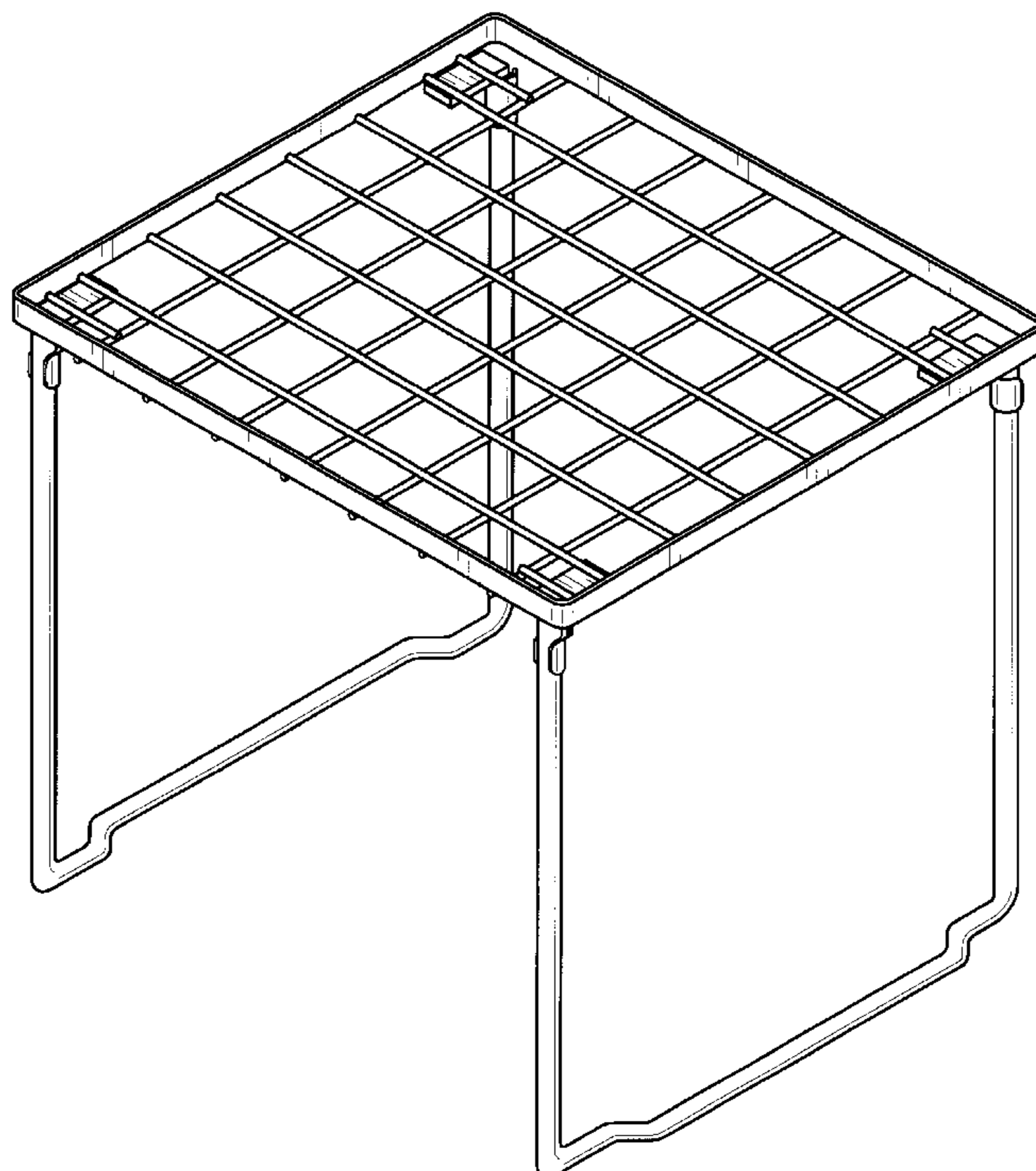
(57) **CLAIM**

The ornamental design for a foldable shelf, as shown and described.

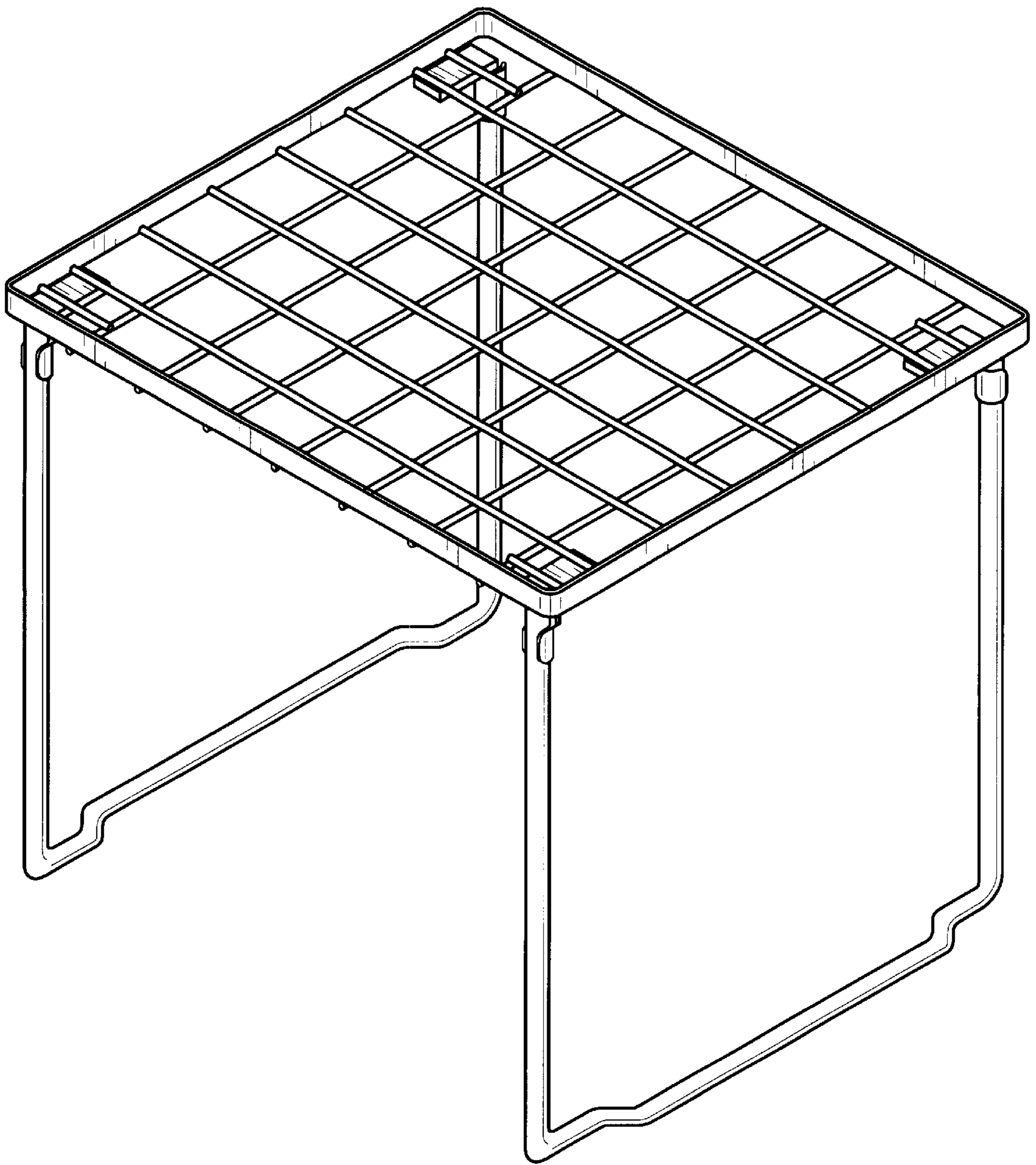
**DESCRIPTION**

FIG. 1 is a perspective view of the foldable shelf of our new design;  
FIG. 2 is an enlarged top plan view thereof;  
FIG. 3 is an enlarged bottom plan view thereof;  
FIG. 4 is an enlarged front elevational view thereof, the rear elevational view is a mirror image thereof; and,  
FIG. 5 is an enlarged side elevational view thereof, the opposite side is a mirror image thereof.

**1 Claim, 5 Drawing Sheets**



*FIG. 1*



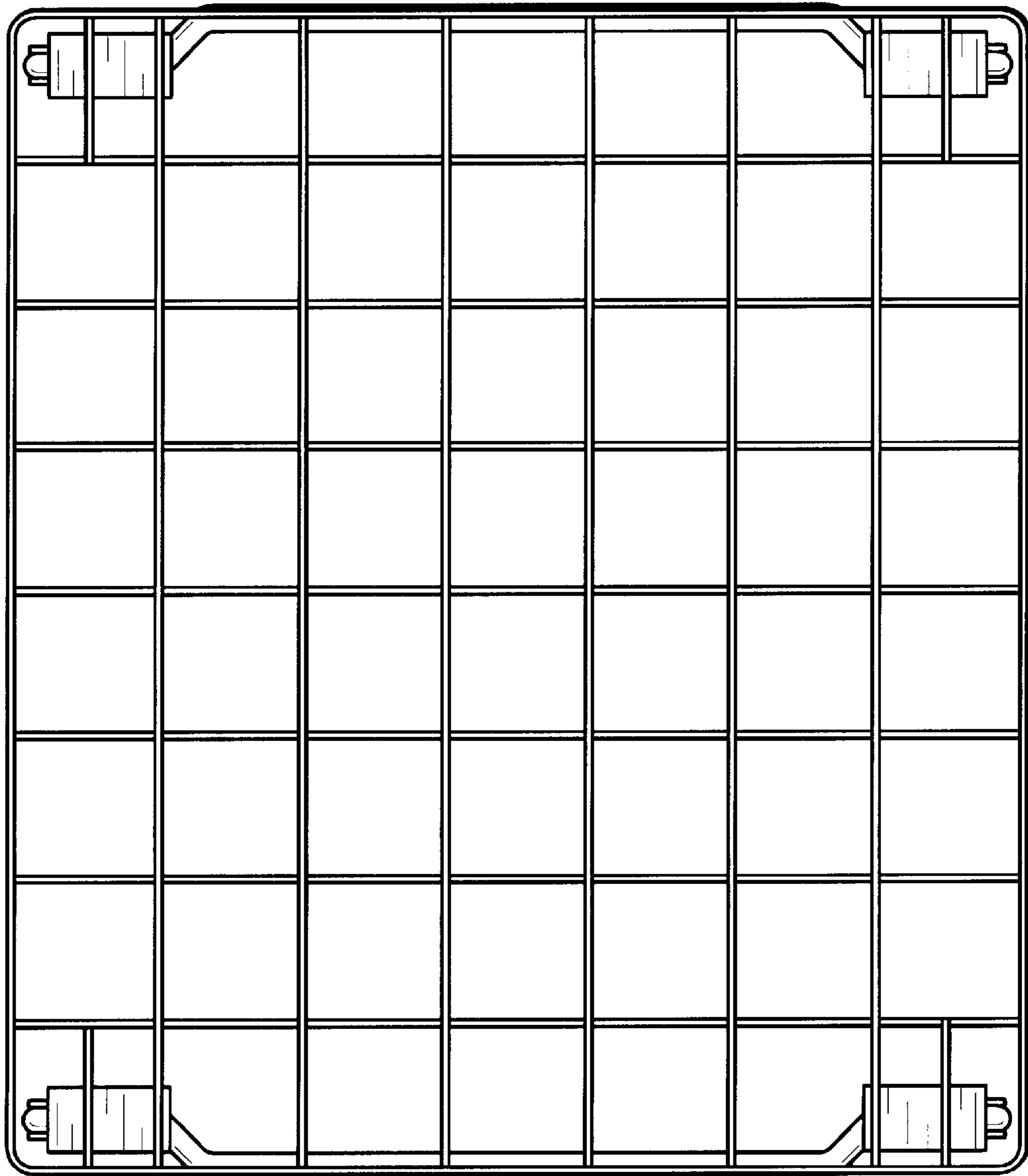


FIG. 2

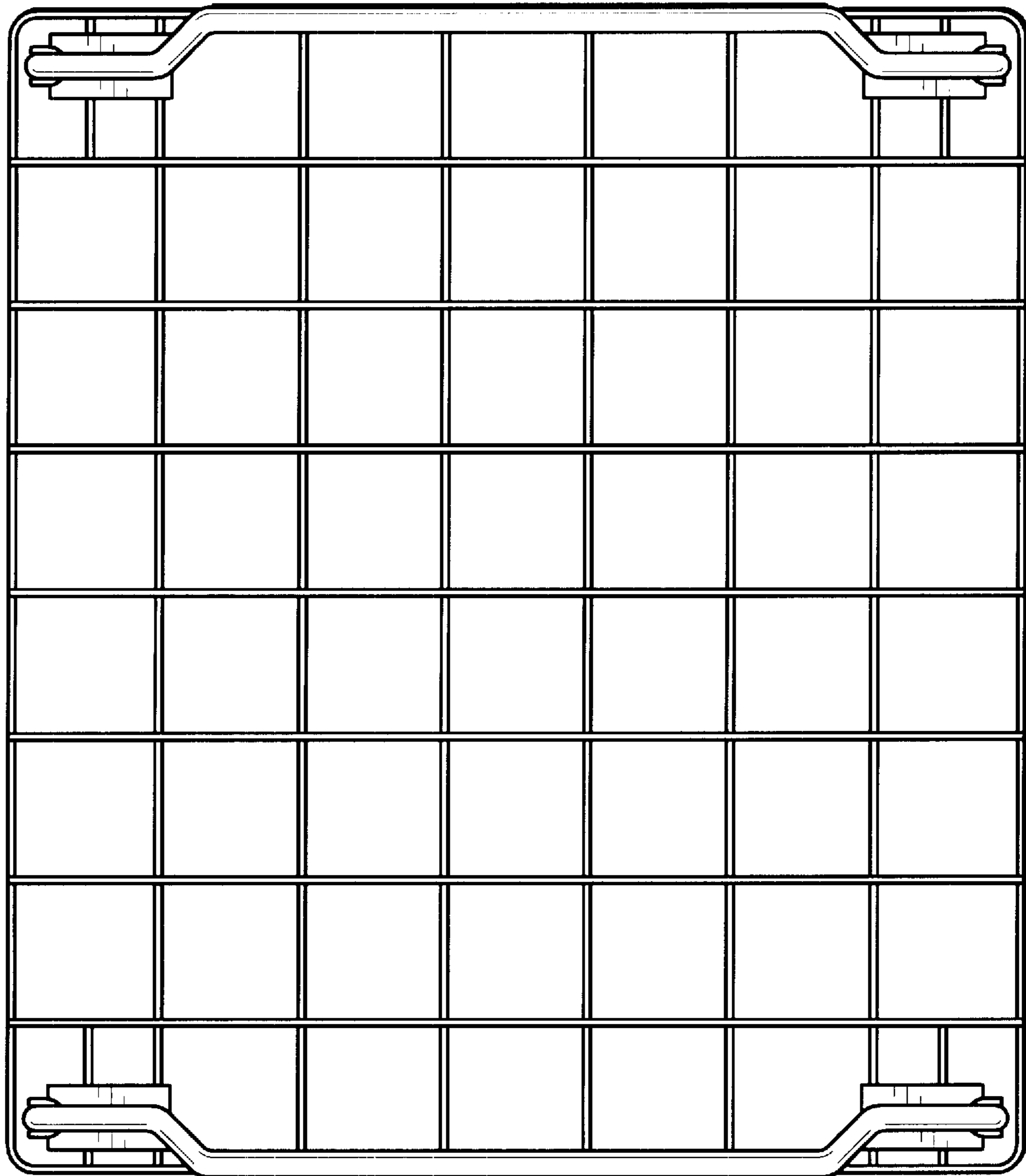
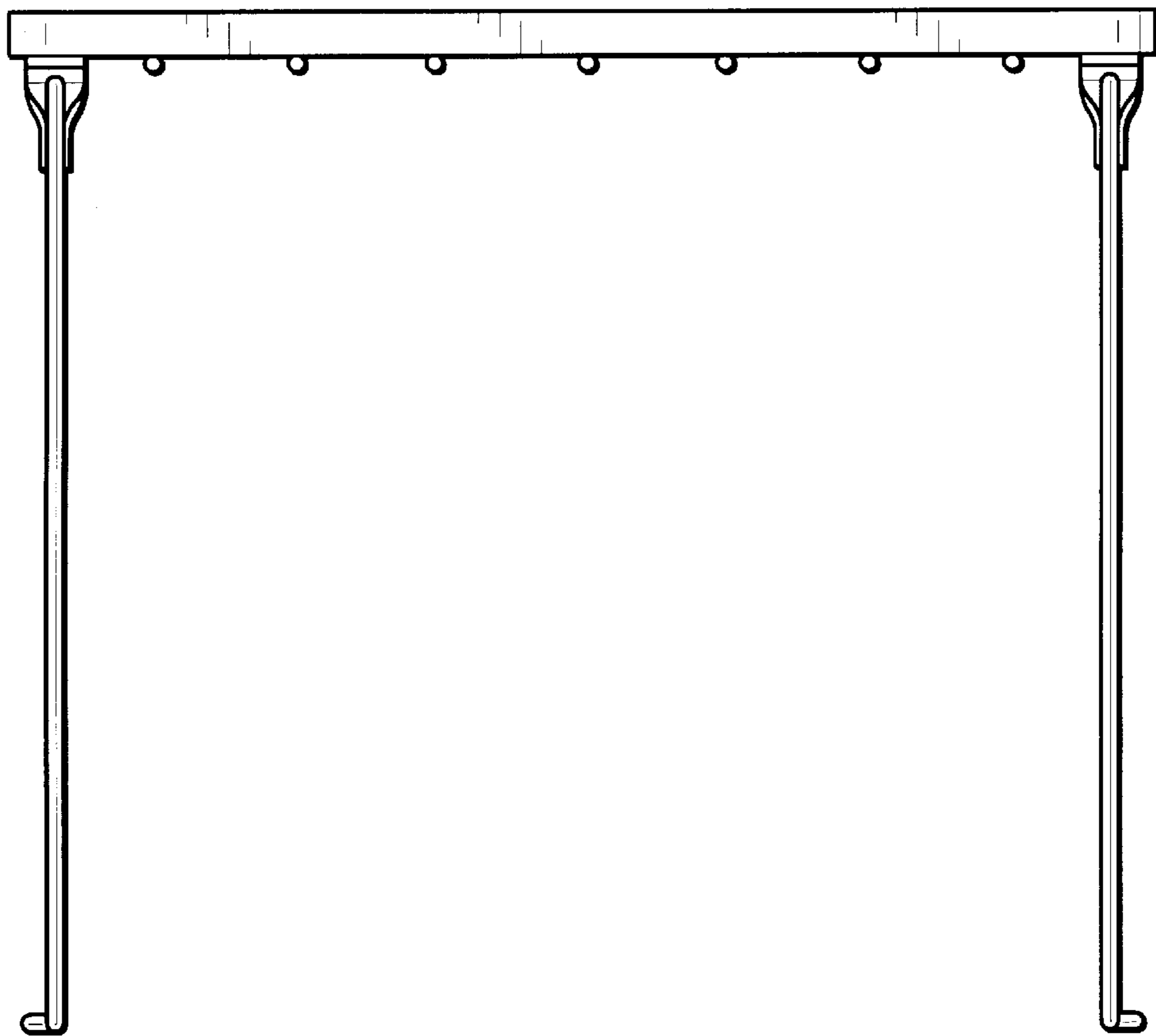


FIG. 3

FIG. 4



*FIG. 5*

