



US00D457746S

(12) **United States Design Patent**
Woods

(10) **Patent No.:** **US D457,746 S**

(45) **Date of Patent:** **** May 28, 2002**

(54) **MOBILE COMPUTER DESK**

D396,576 S * 8/1998 Moore D6/422
D446,045 S * 8/2001 Hunt et al. D6/426

(75) Inventor: **Donald Woods**, Celestine, IN (US)

* cited by examiner

(73) Assignee: **Kimball International, Inc.**, Jasper, IN (US)

Primary Examiner—Janice E. Seeger
(74) *Attorney, Agent, or Firm*—Baker & Daniels

(**) Term: **14 Years**

(57) **CLAIM**

(21) Appl. No.: **29/137,972**

The ornamental design of a mobile computer desk, as shown and described.

(22) Filed: **Mar. 2, 2001**

(51) **LOC (7) Cl.** **06-04**

(52) **U.S. Cl.** **D6/425**

(58) **Field of Search** D6/484, 422-428,
D6/465, 474, 477, 479; 312/194-196, 208.1,
239; 108/50.01, 50.02, 91, 92, 95

DESCRIPTION

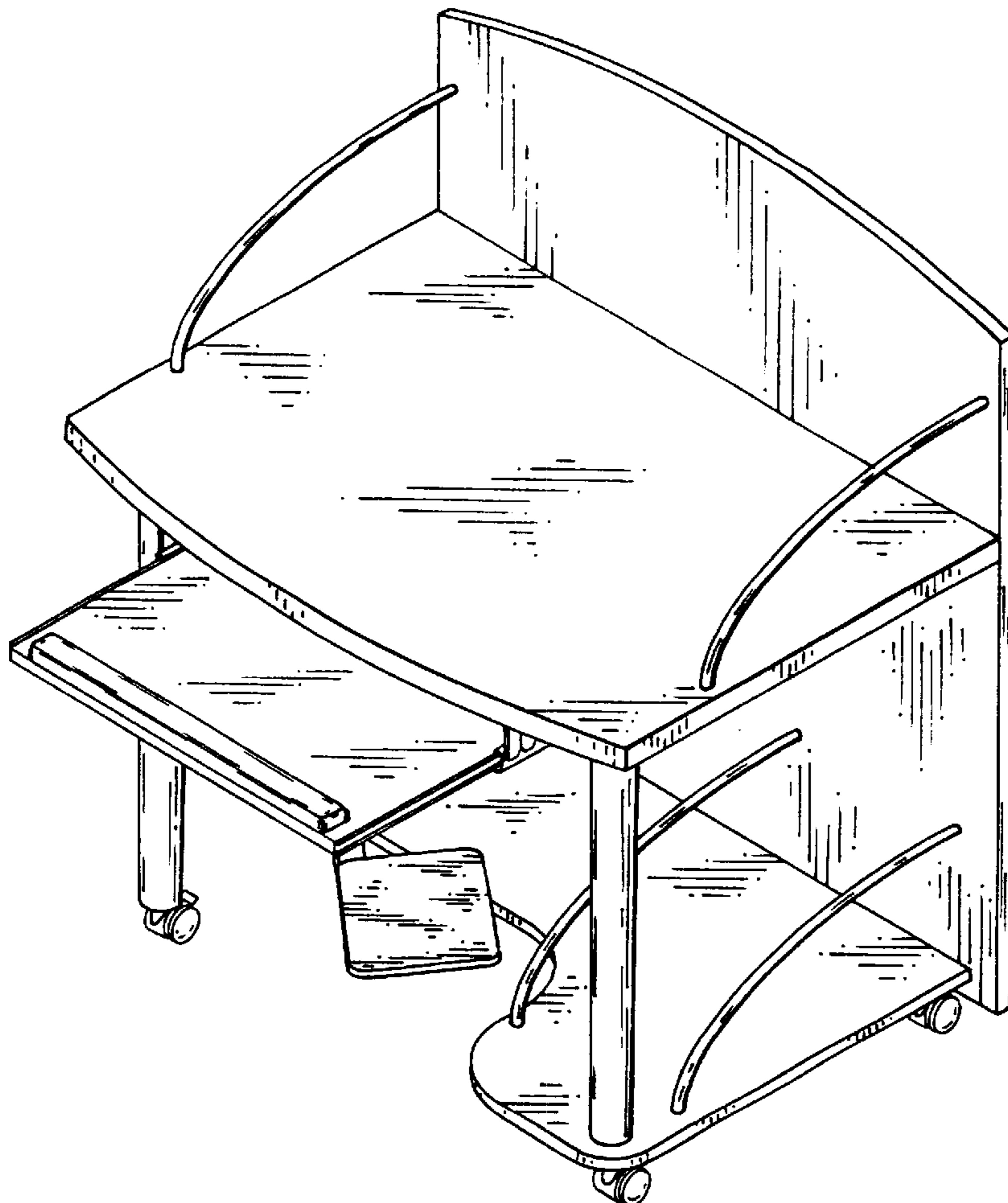
FIG. 1 is a perspective view of a mobile computer desk showing my new design;
FIG. 2 is a front view thereof;
FIG. 3 is a top view thereof;
FIG. 4 is an end view thereof;
FIG. 5 is an opposite end view; and,
FIG. 6 is a further perspective view thereof showing the keyboard tray in the extended position.

(56) **References Cited**

U.S. PATENT DOCUMENTS

D386,869 S * 11/1997 Dormon et al. D34/21
D394,965 S * 6/1998 Fang D6/474

1 Claim, 3 Drawing Sheets



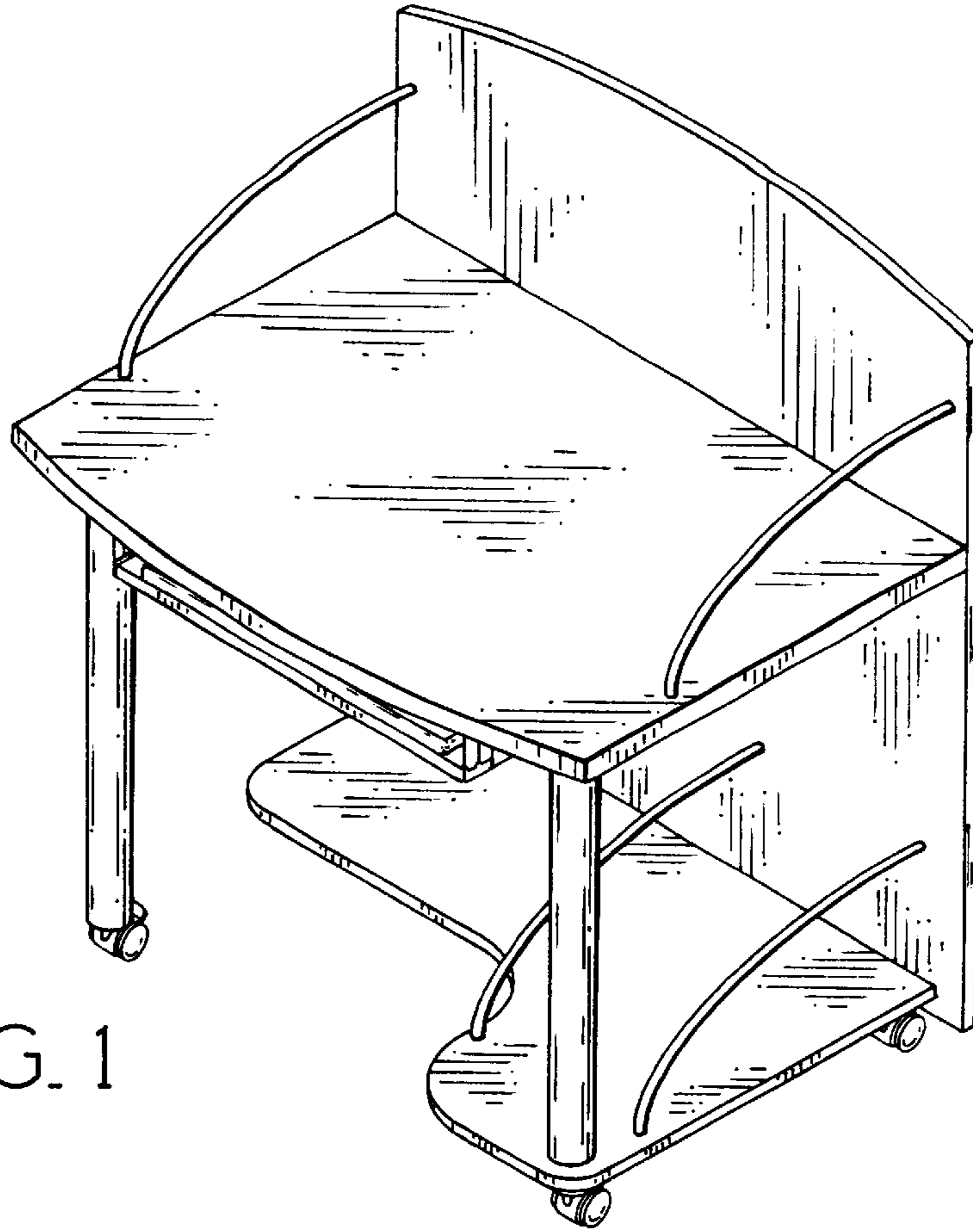


FIG. 1

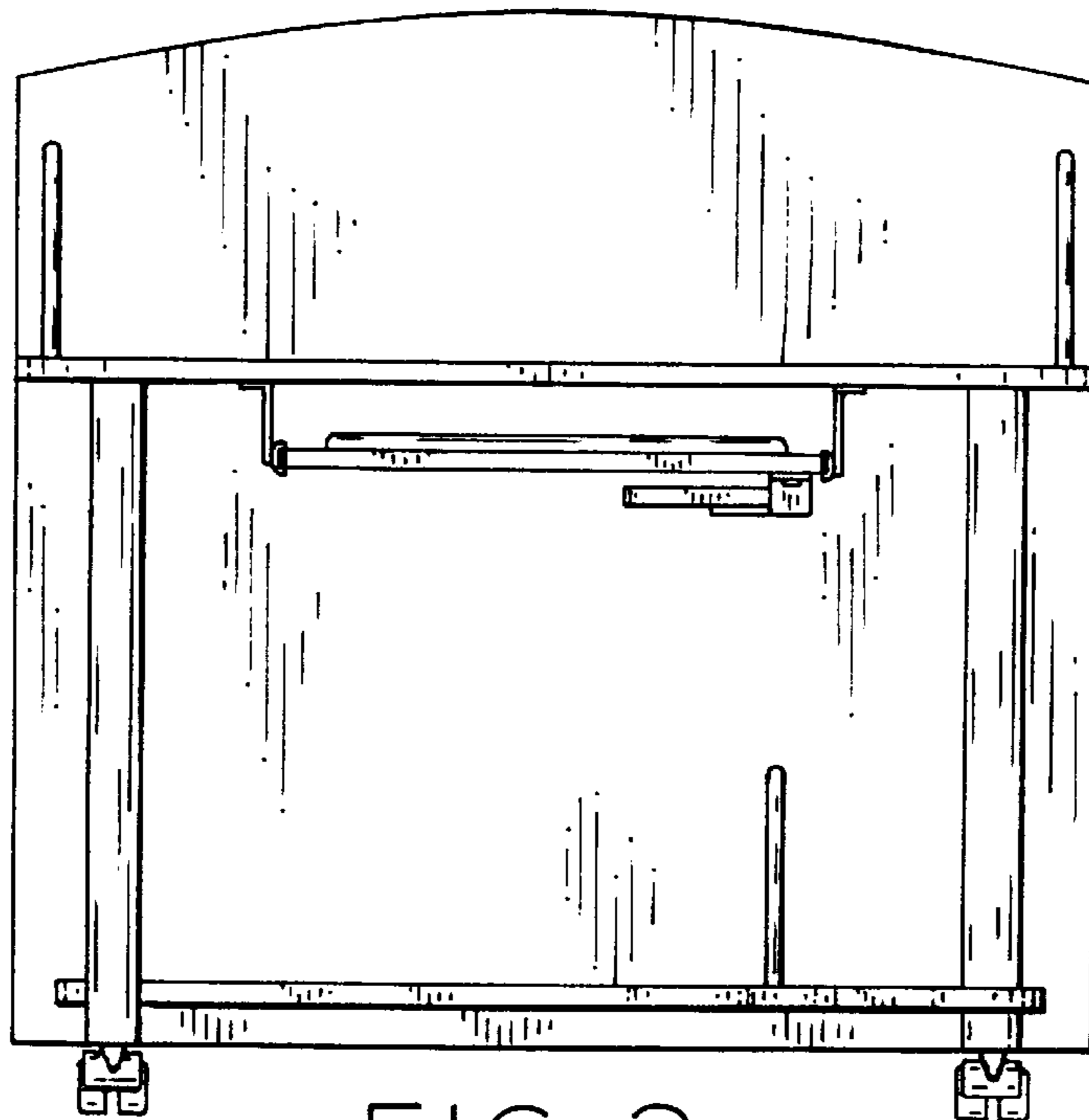


FIG. 2

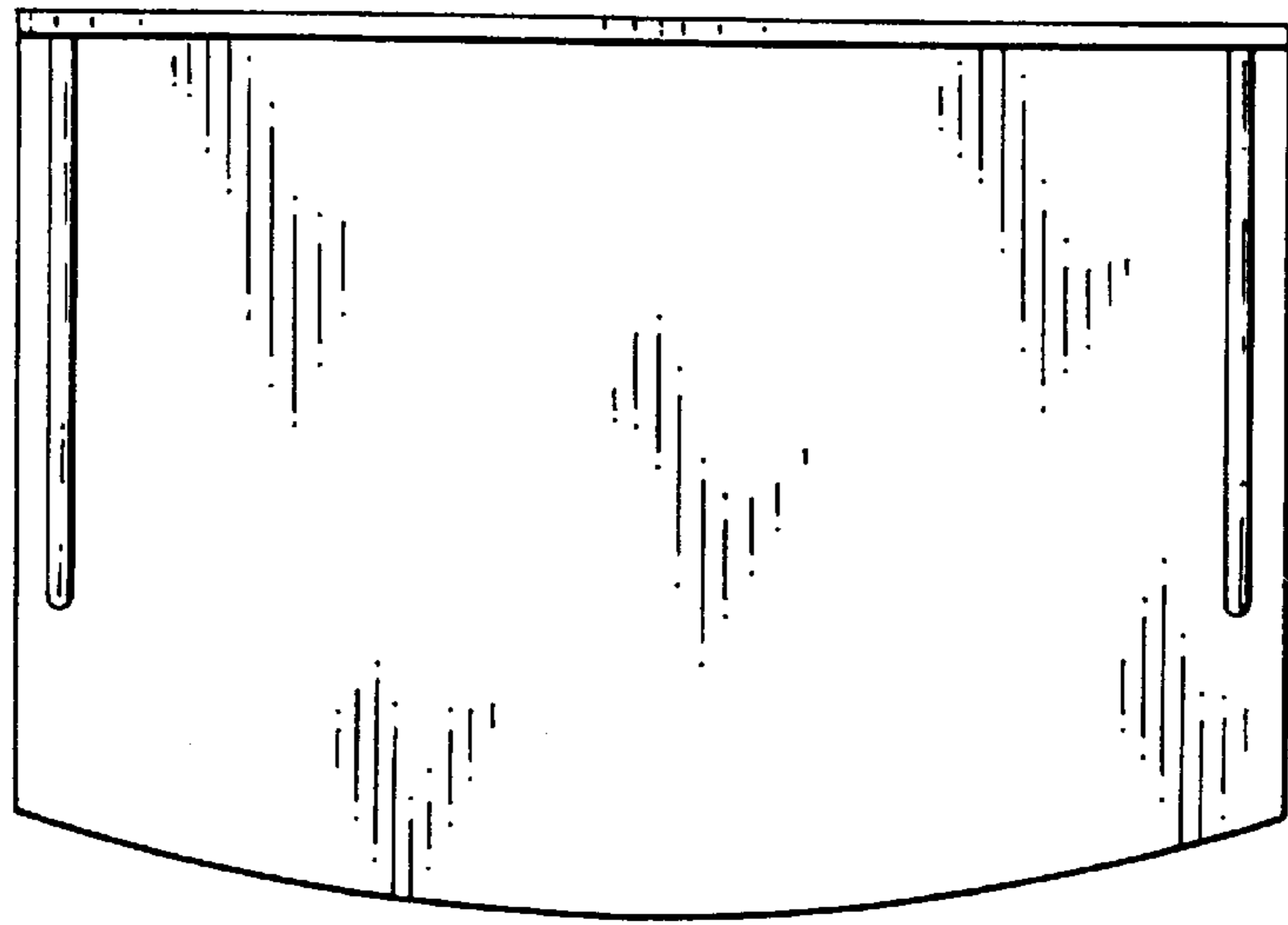


FIG. 3

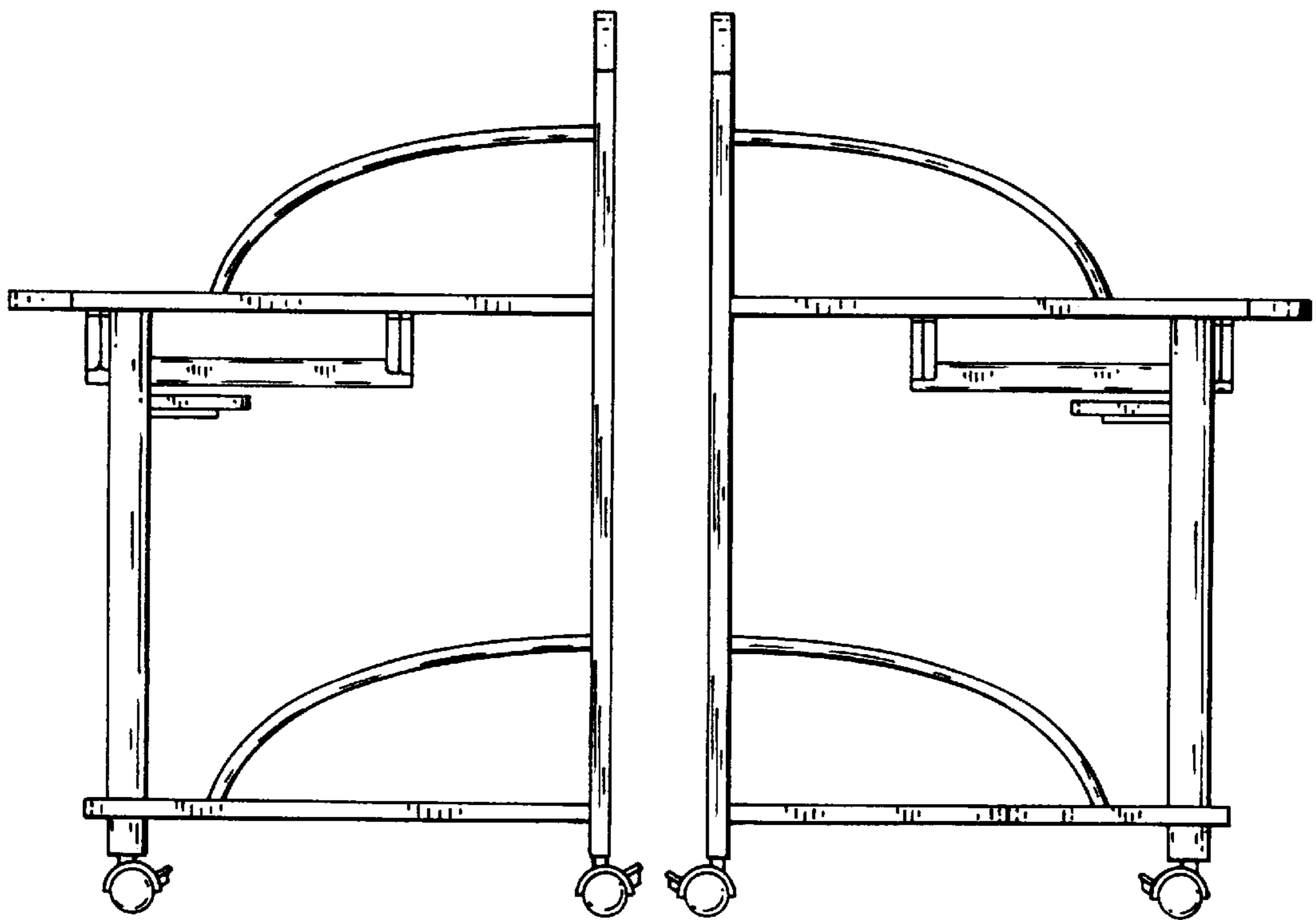


FIG. 4

FIG. 5

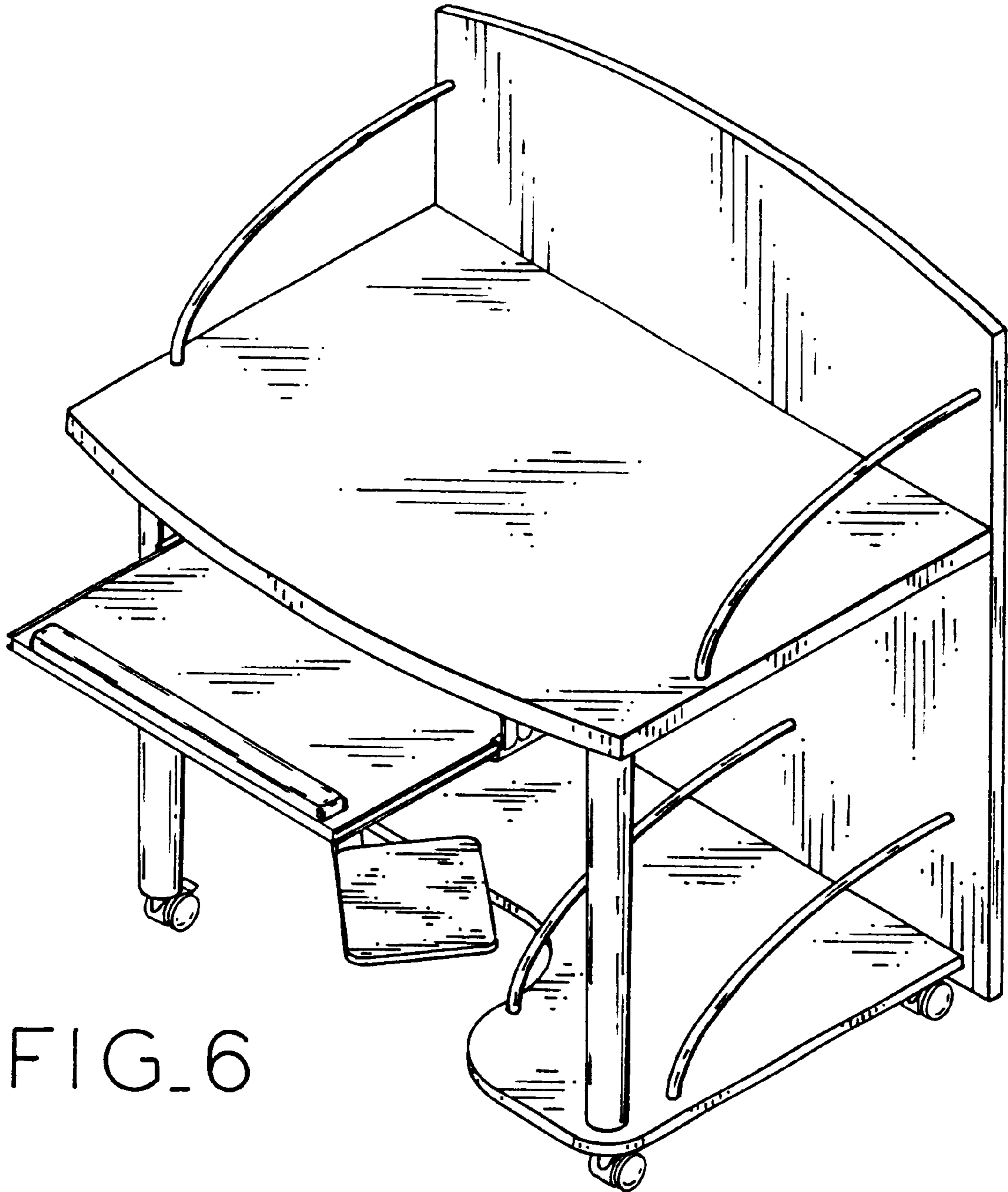


FIG. 6