

US00D457743S

(12) **United States Design Patent**
Tseng

(10) **Patent No.:** **US D457,743 S**

(45) **Date of Patent:** **** May 28, 2002**

(54) **CHAIR**

D359,860 S * 7/1995 Arthur, Jr. D6/370
D438,026 S * 2/2001 Frinier D6/376 X

(75) Inventor: **Chuen-Jong Tseng**, Chiayi Hsien (TW)

* cited by examiner

(73) Assignee: **Shin Yeh Enterprise Co., Ltd.**, Chiayi Hsien (TW)

Primary Examiner—Gary D. Watson
(74) *Attorney, Agent, or Firm*—Ladas & Parry

(**) Term: **14 Years**

(57) **CLAIM**

(21) Appl. No.: **29/139,813**

The ornamental design for chair, as shown and described.

(22) Filed: **Apr. 5, 2001**

DESCRIPTION

(51) **LOC (7) Cl.** **06-01**

FIG. 1 is a perspective view of chair showing my new design;

(52) **U.S. Cl.** **D6/376; D6/370**

FIG. 2 is a top plan view thereof;

(58) **Field of Search** D6/334, 358, 370,
D6/374, 376, 379, 380, 500, 501, 502;
297/446.1, 452.63

FIG. 3 is a bottom plan view thereof;

FIG. 4 is a left side elevational view thereof;

FIG. 5 is a right side elevational view thereof;

FIG. 6 is a front elevational view thereof; and,

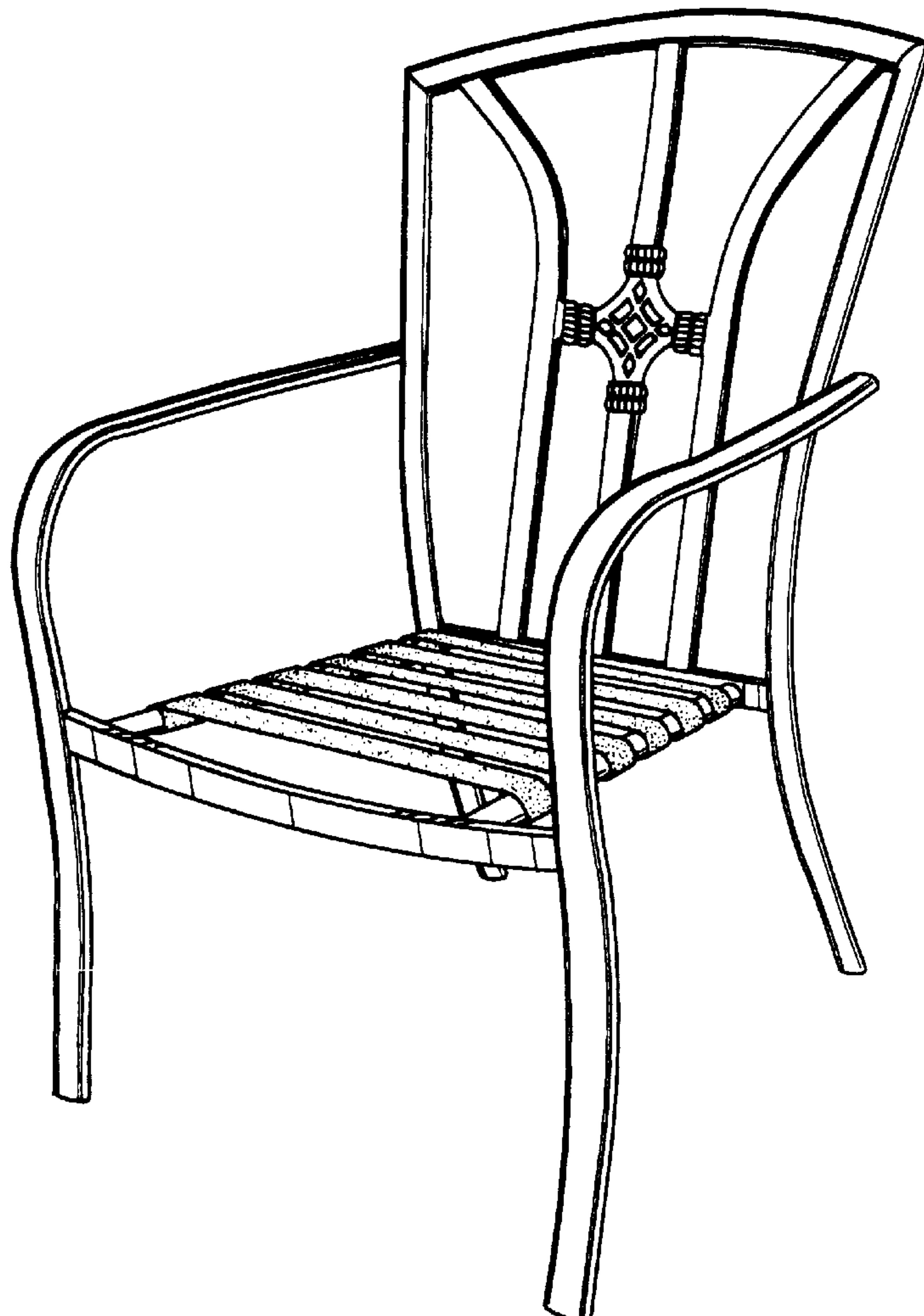
FIG. 7 is a rear elevational view thereof.

(56) **References Cited**

U.S. PATENT DOCUMENTS

D328,827 S * 8/1992 Grosfillex D6/370
D342,629 S * 12/1993 Tseng D6/370

1 Claim, 4 Drawing Sheets



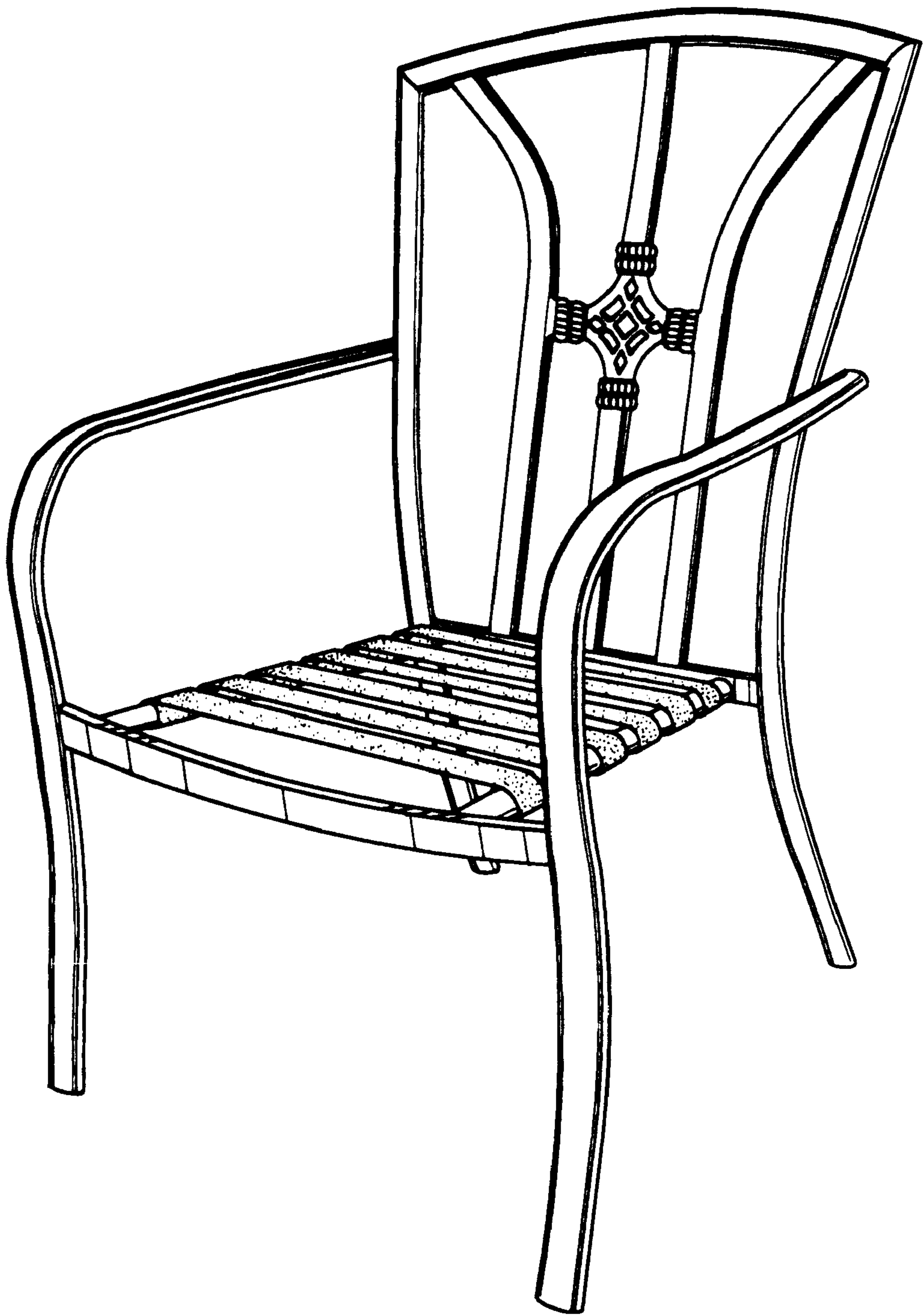


FIG. 1

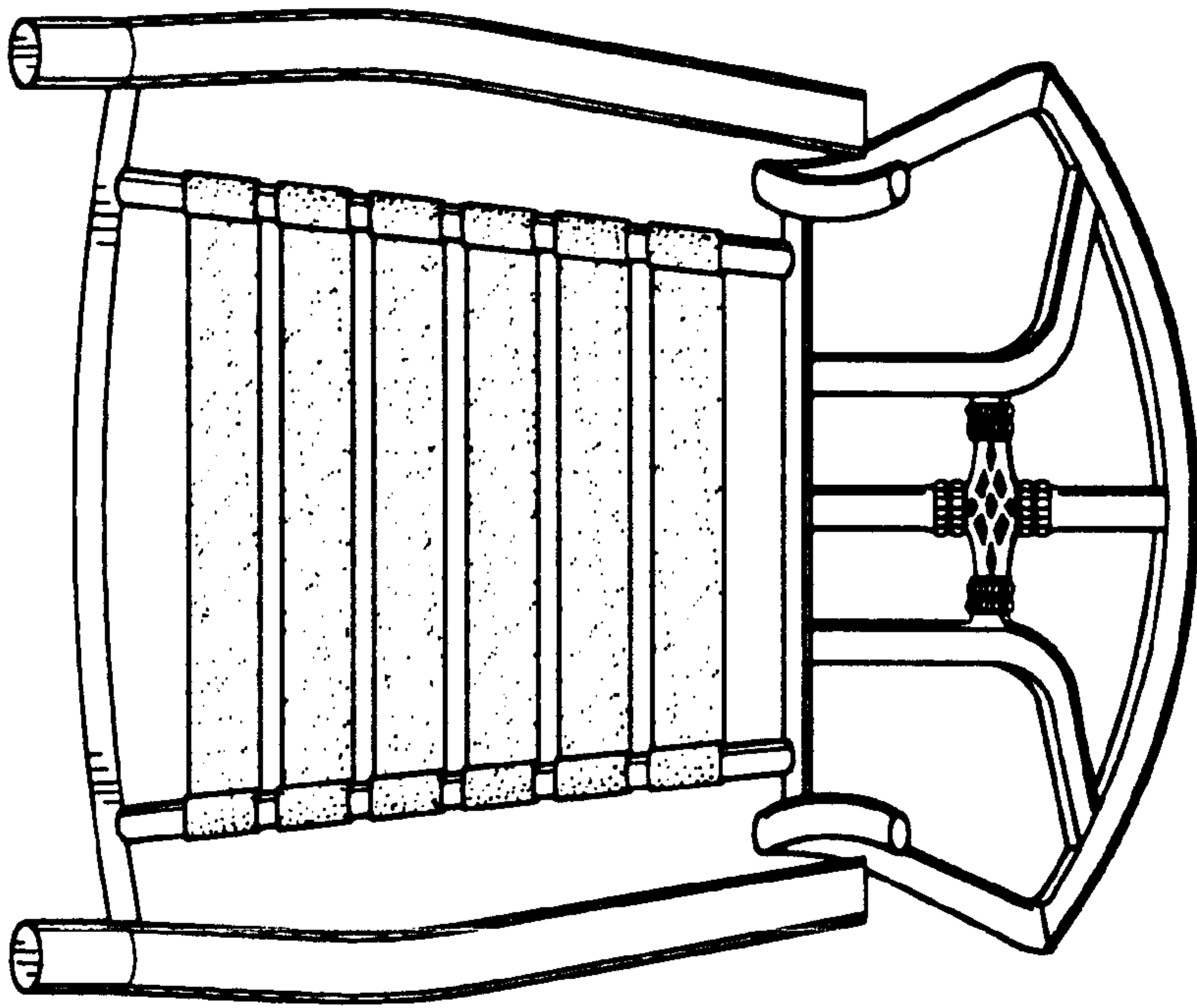


FIG. 3

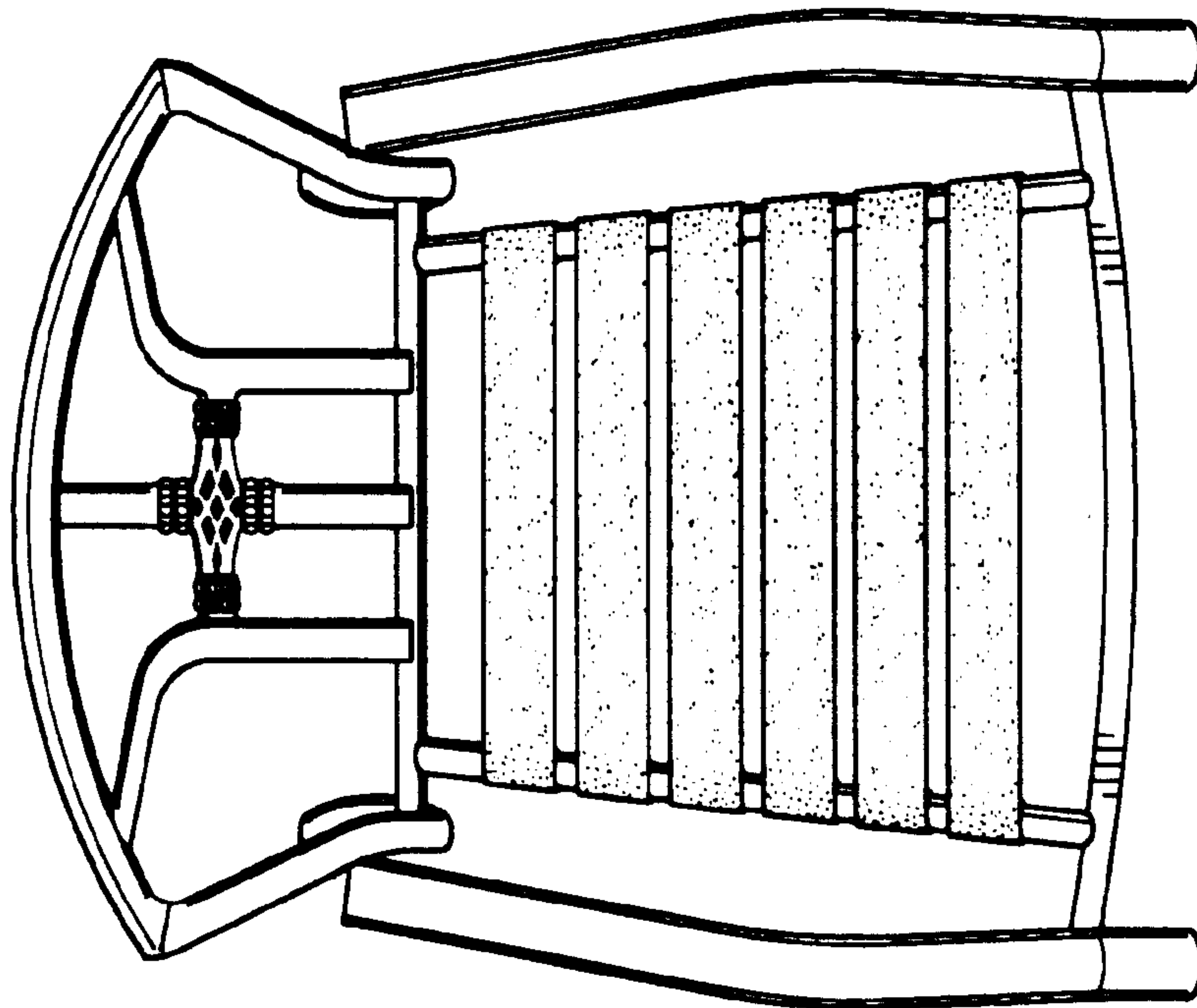


FIG. 2

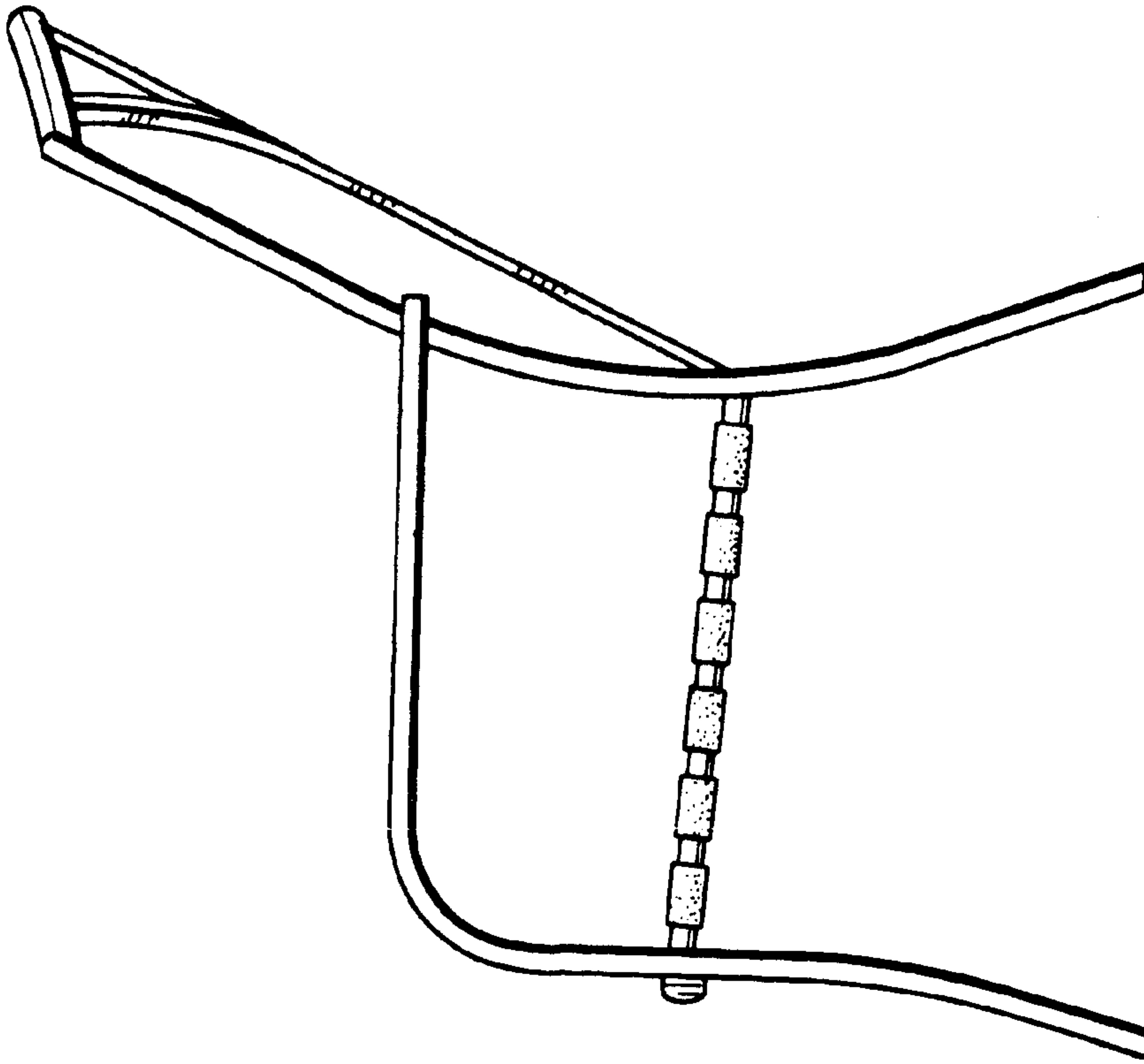


FIG. 5

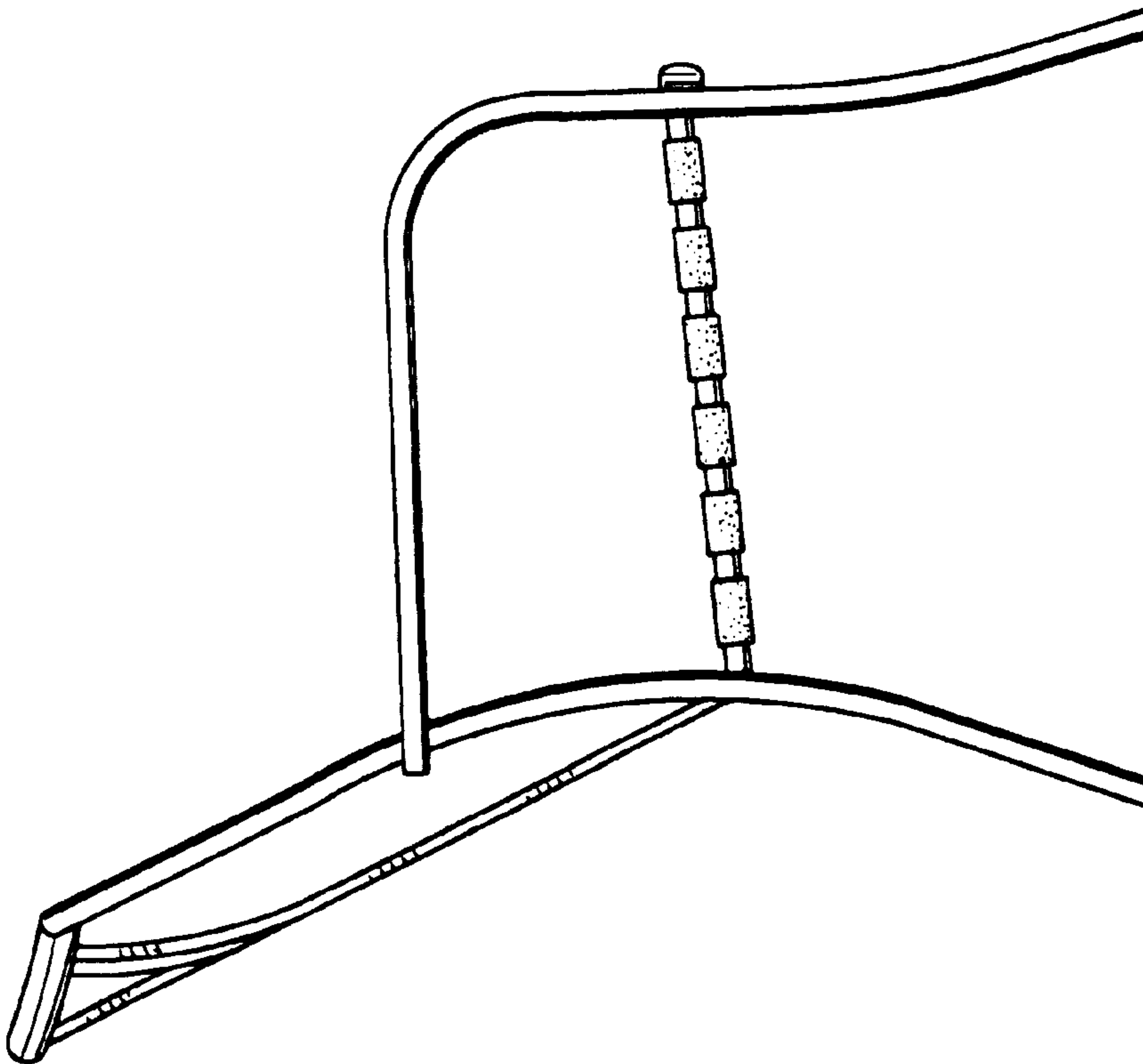


FIG. 4

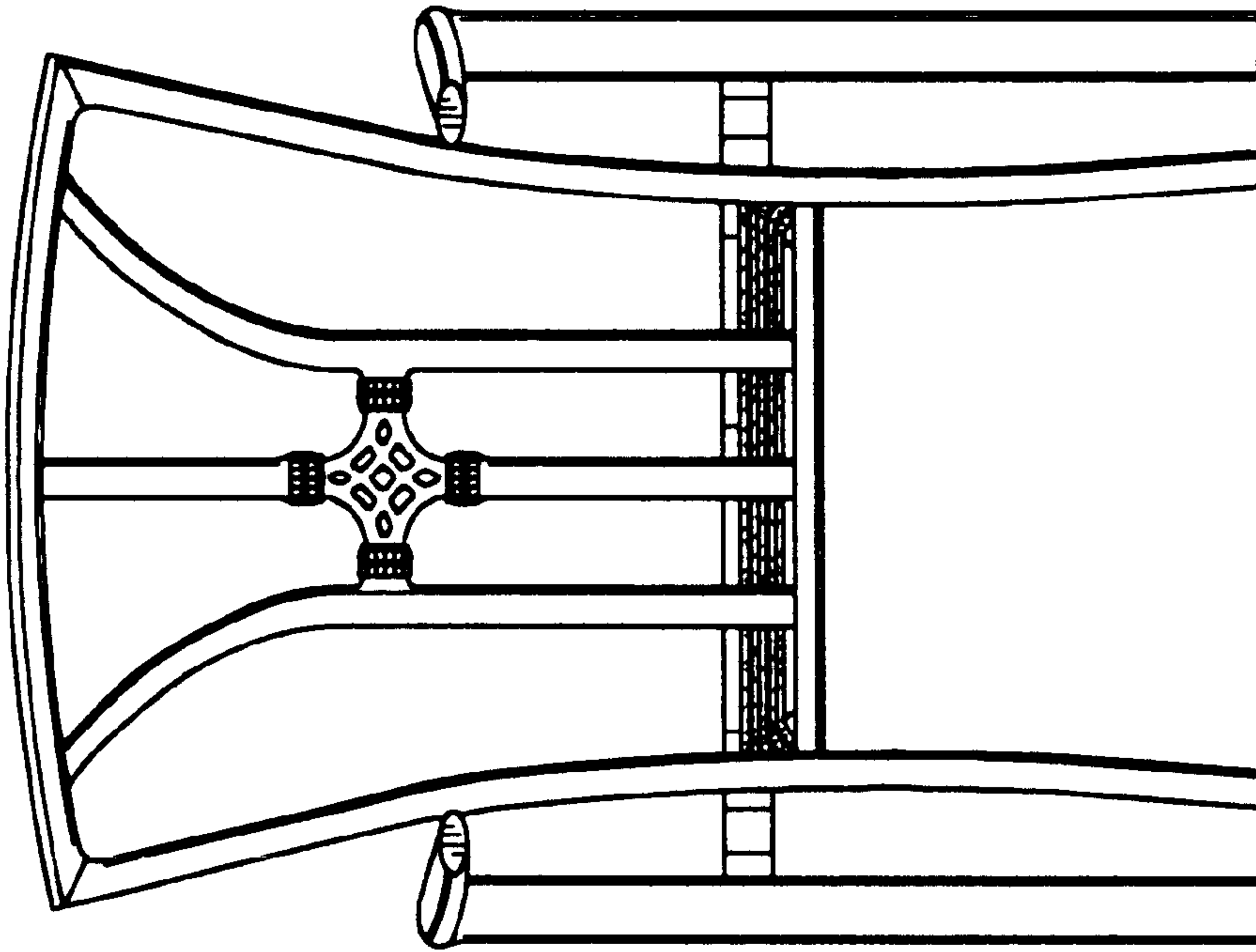


FIG. 6

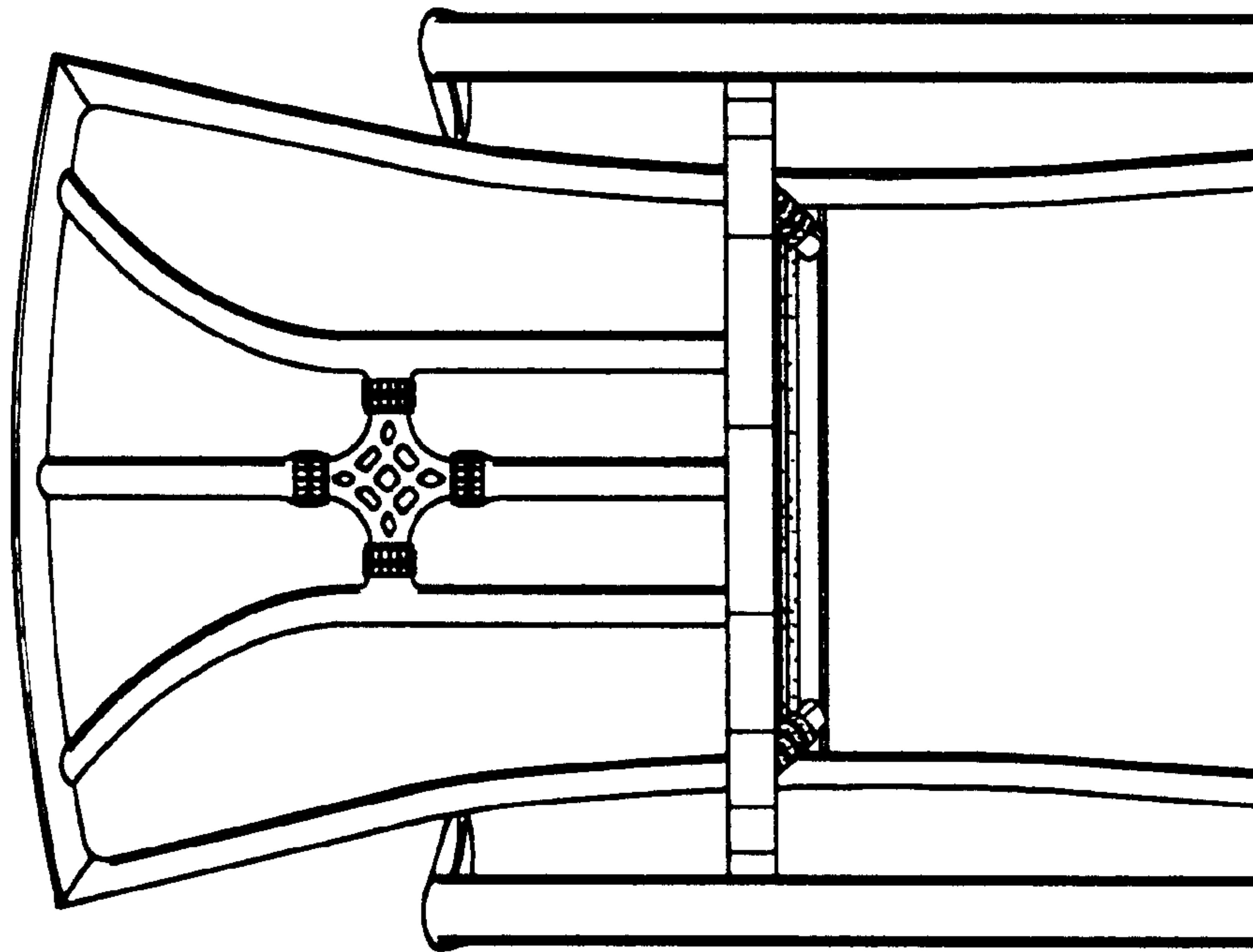


FIG. 7