



US00D457741S

(12) **United States Design Patent**
Slear

(10) **Patent No.:** **US D457,741 S**

(45) **Date of Patent:** **** May 28, 2002**

(54) **SITE FURNITURE**

D449,745 S * 10/2001 Slear D6/370

(75) Inventor: **Arthur C. Slear**, Butler, PA (US)

* cited by examiner

(73) Assignee: **Keystone Ridge Designs, Inc.**, Butler, PA (US)

Primary Examiner—Gary D. Watson

(74) *Attorney, Agent, or Firm*—Webb Ziesenheim Logsdon Orkin & Hanson, P.C.

(**) Term: **14 Years**

(57) **CLAIM**

(21) Appl. No.: **29/140,684**

The ornamental design for site furniture, as shown and described.

(22) Filed: **Apr. 23, 2001**

DESCRIPTION

(51) **LOC (7) Cl.** **06-01**

(52) **U.S. Cl.** **D6/370; D6/381**

(58) **Field of Search** D6/334, 370, 374,
D6/376, 379, 380, 381, 500, 501, 502;
297/232, 445.1, 452.63

FIG. 1 is a perspective view of site furniture in the form of a bench showing my new design;
FIG. 2 is a top plan view thereof;
FIG. 3 is a bottom plan view thereof;
FIG. 4 is a front elevation view thereof;
FIG. 5 is a rear elevation view thereof;
FIG. 6 is a right side elevation view thereof; and,
FIG. 7 is a left side elevation view thereof.

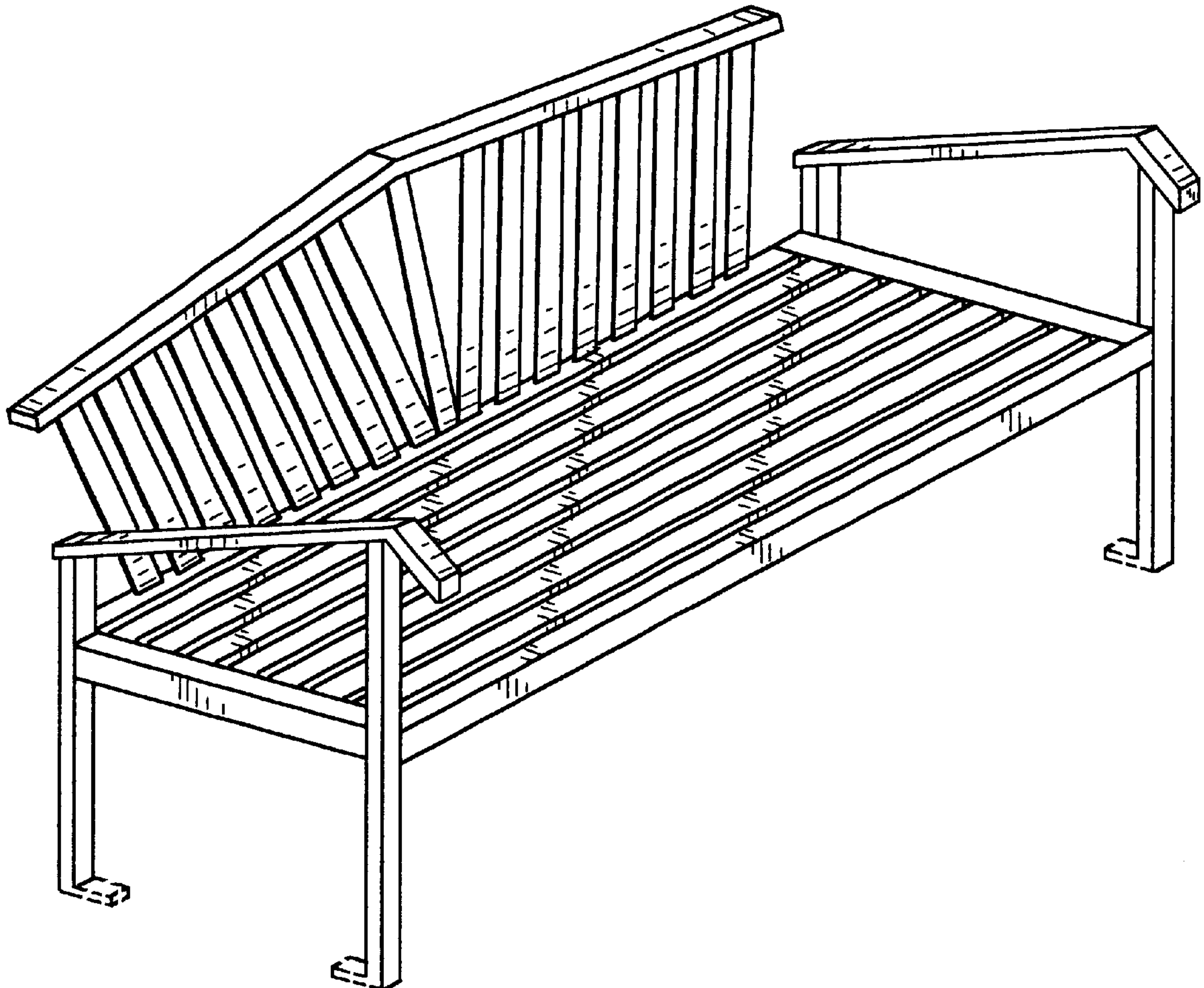
(56) **References Cited**

U.S. PATENT DOCUMENTS

- 3,271,076 A * 9/1966 Smith 297/452.63
- D413,449 S * 9/1999 Hornyak D6/370
- D413,738 S * 9/1999 Hornyak D6/370
- D446,399 S * 8/2001 Slear D6/370

The broken lines in FIGS. 1, 3, 6 and 7 are for illustrative purposes only and form no part of the claimed design.

1 Claim, 4 Drawing Sheets



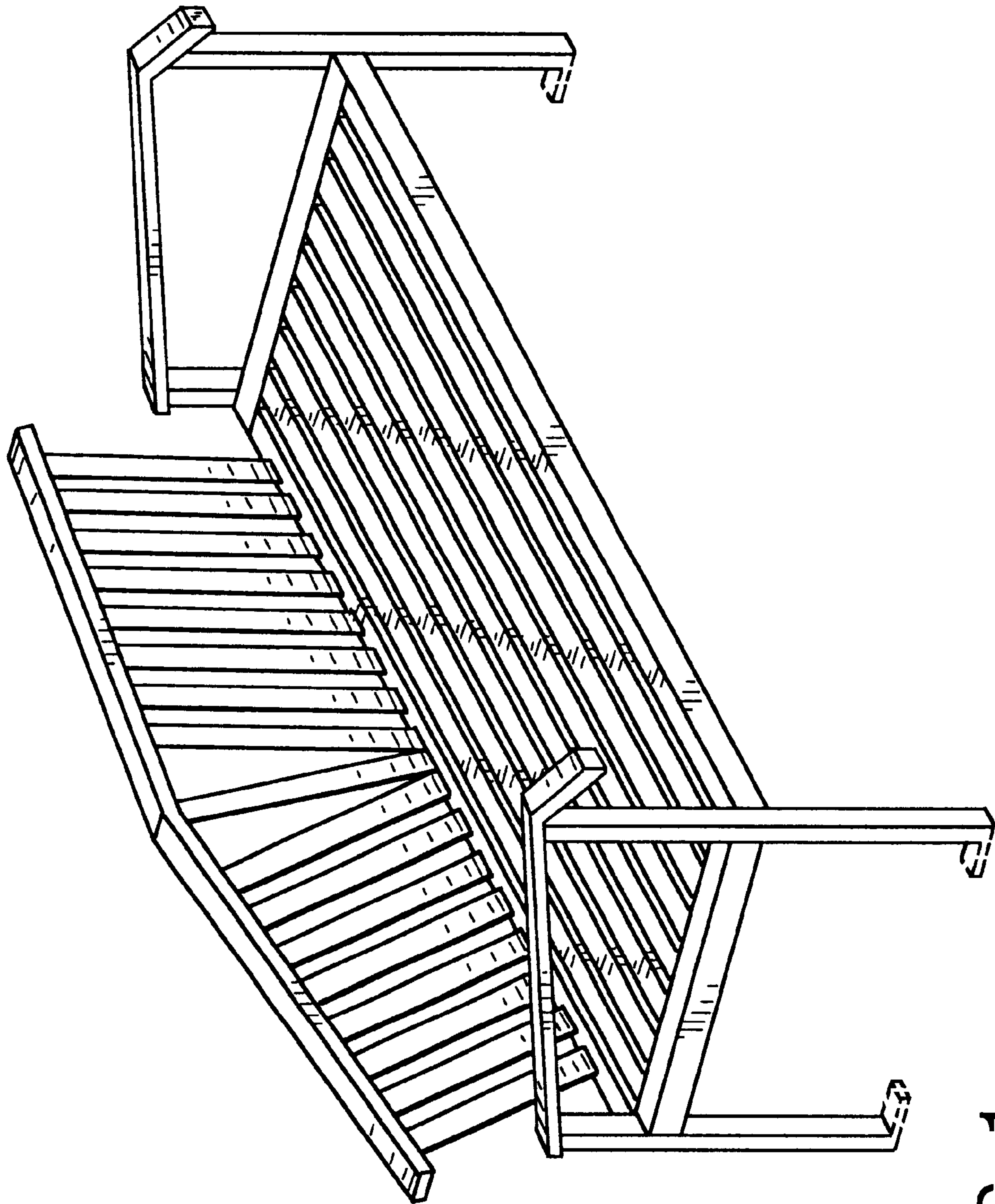


FIG. 1

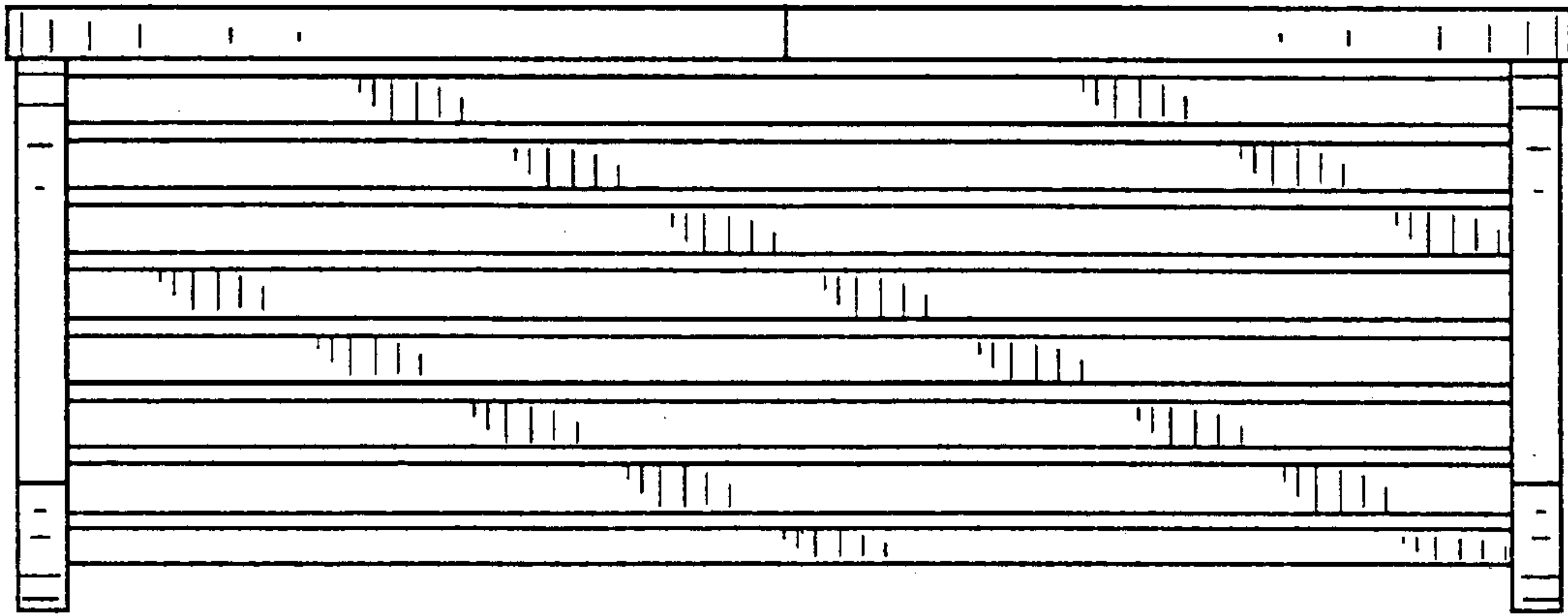


FIG. 2

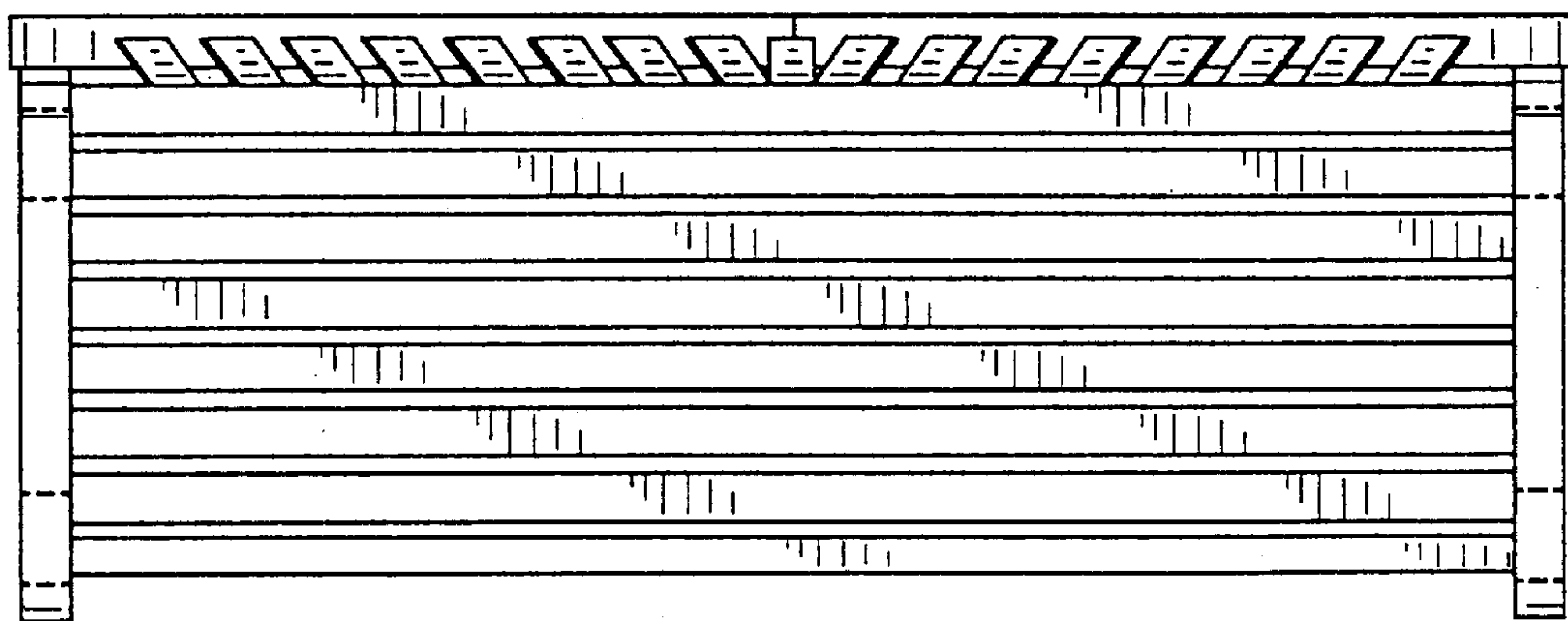


FIG. 3

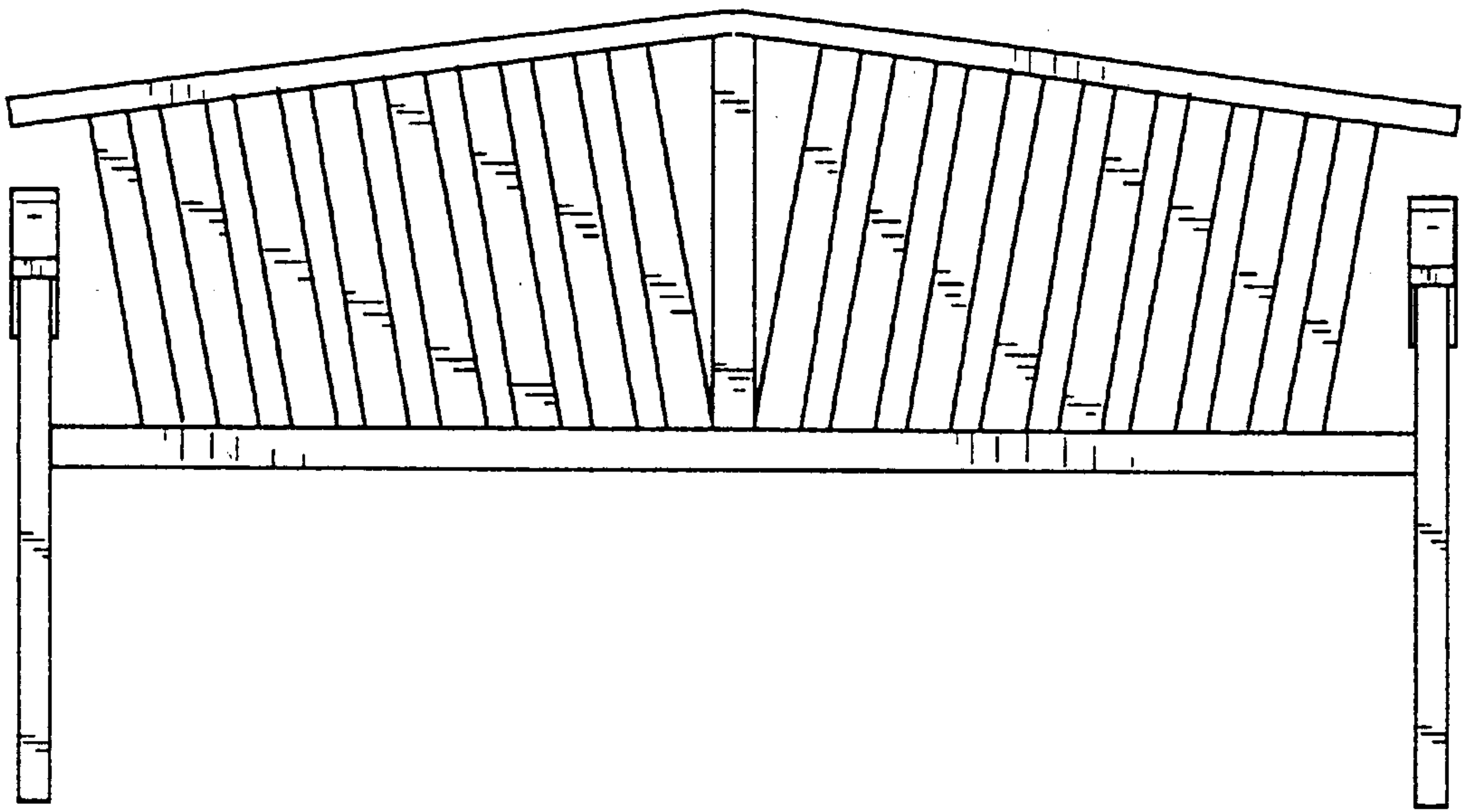


FIG. 4

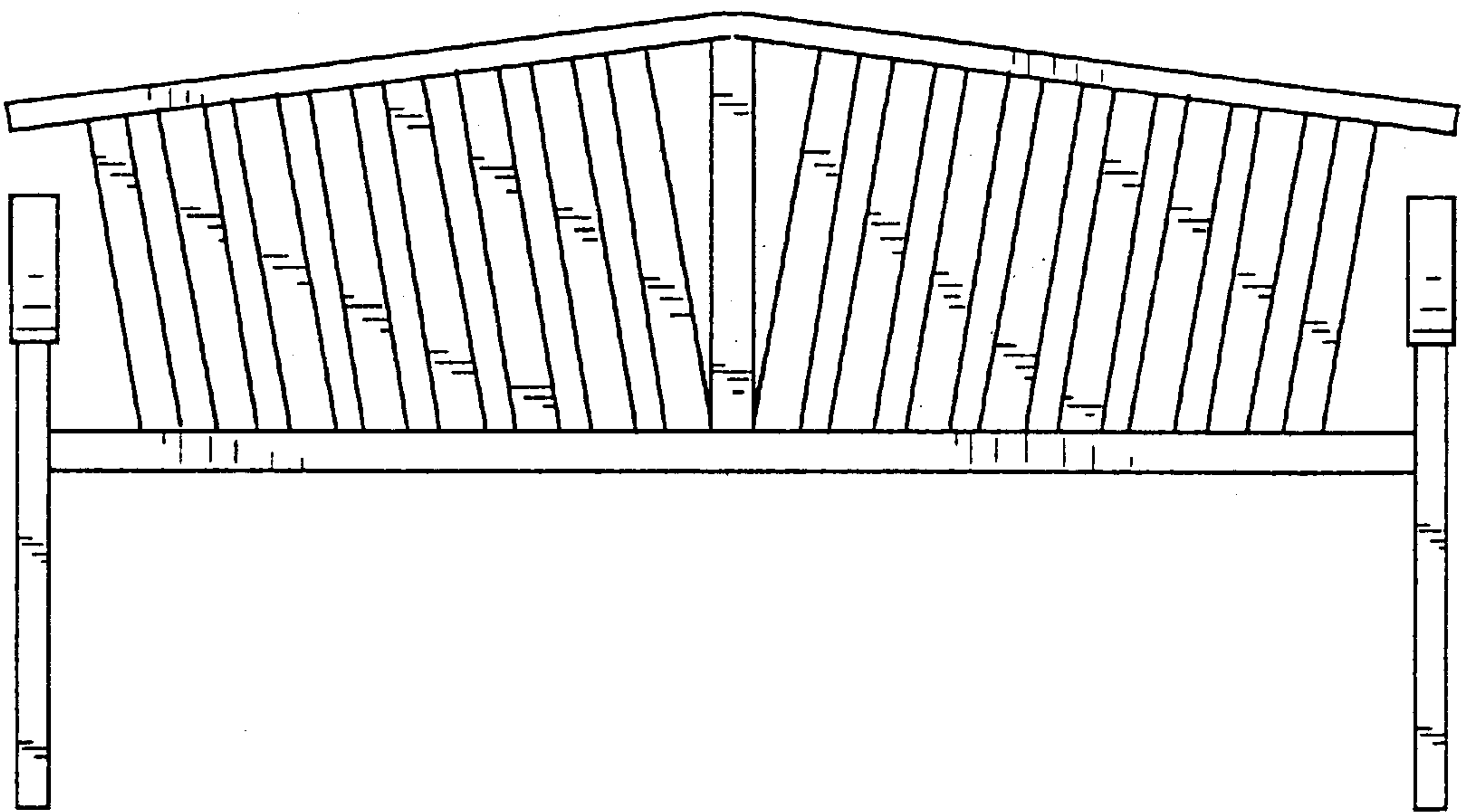


FIG. 5

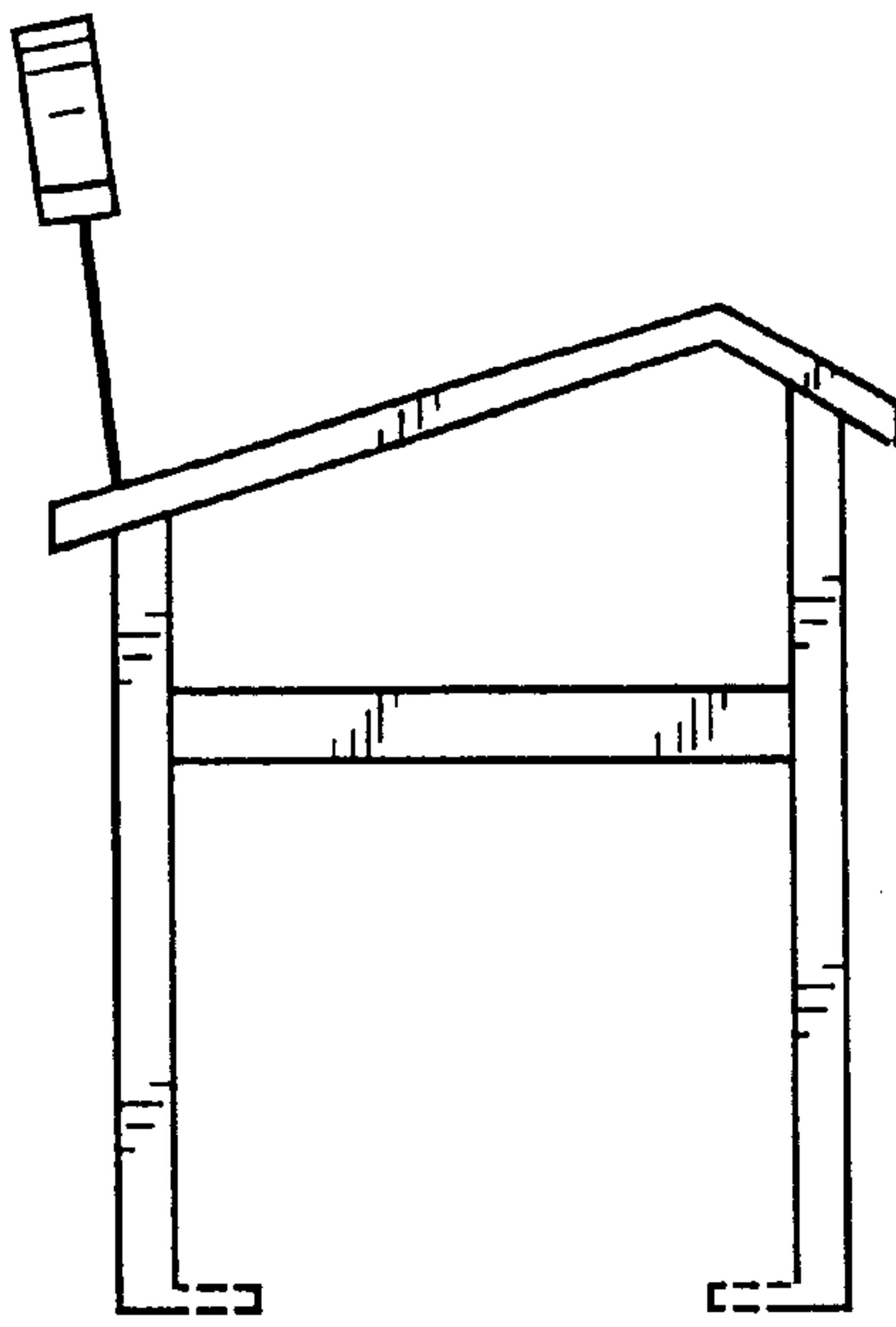


FIG. 6

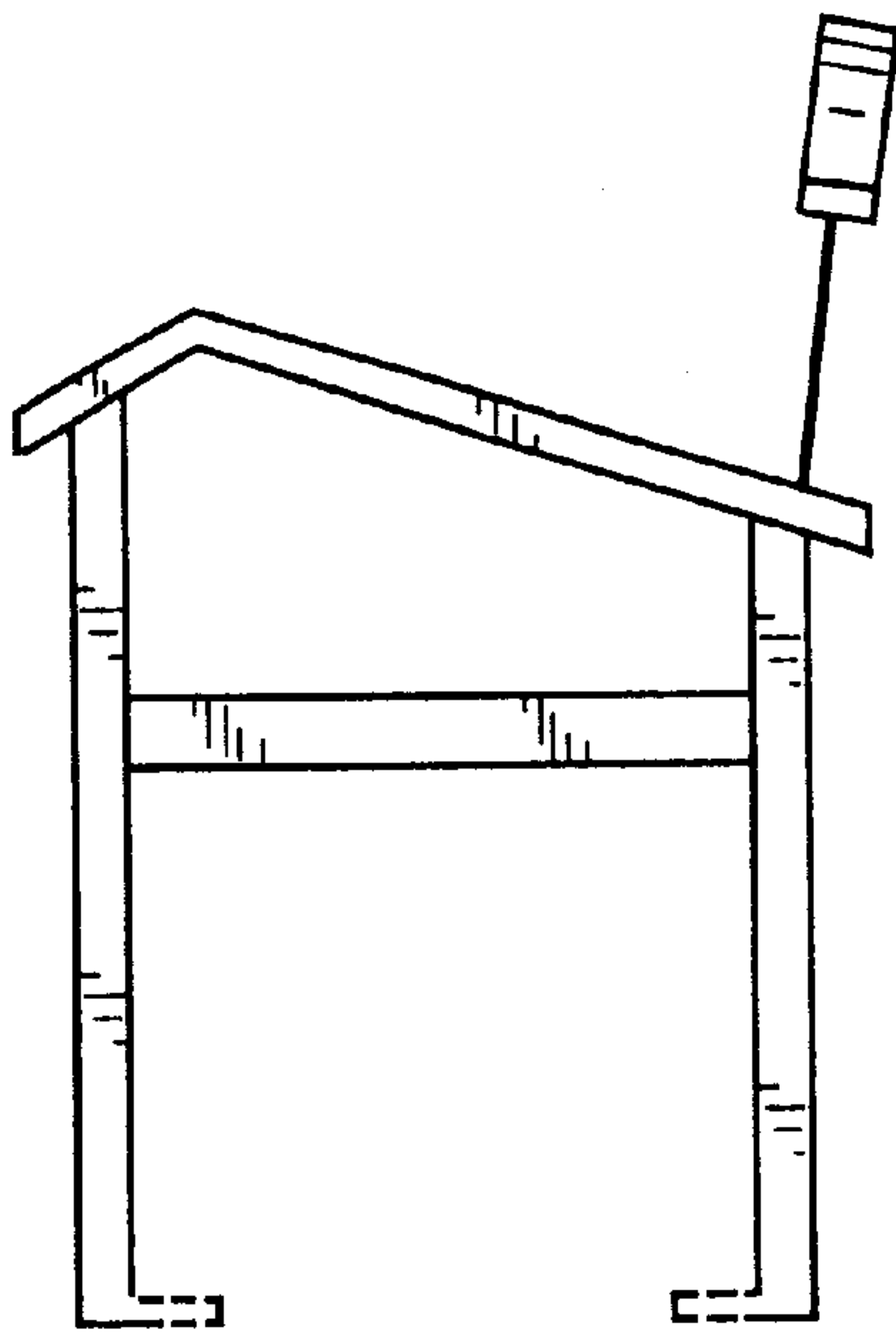


FIG. 7