



US00D457739S

(12) **United States Design Patent**
Pearce et al.

(10) **Patent No.:** **US D457,739 S**

(45) **Date of Patent:** **** May 28, 2002**

(54) **CHAIR**

(75) Inventors: **Peter J. Pearce**, Woodland Hills, CA (US); **Bruce M. Smith**, Grand Rapids; **Dale M. Groendal**, Jenison, both of MI (US)

(73) Assignee: **Steelcase Development Corporation**, Caledonia, MI (US)

(**) Term: **14 Years**

(21) Appl. No.: **29/123,873**

(22) Filed: **May 25, 2000**

(51) **LOC (7) Cl.** **06-01**

(52) **U.S. Cl.** **D6/366**

(58) **Field of Search** D6/334, 364, 365, D6/366, 370, 374, 500, 501, 502; 297/411.2, 411.29, 452.63

(56) **References Cited**

U.S. PATENT DOCUMENTS

D235,495 S	*	6/1975	Laylon	D6/374
D273,350 S	*	4/1984	Cafiero	D6/366
D274,675 S	*	7/1984	Diffrient	D6/366
4,660,887 A		4/1987	Fleming et al.		
D362,973 S	*	10/1995	Schultz	D6/366
5,630,647 A		5/1997	Heidmann et al.		
5,871,258 A		2/1999	Bathey et al.		
D410,799 S	*	6/1999	Meda	D6/366
D411,928 S	*	7/1999	Ritch et al.	D6/500
D414,349 S		9/1999	Jenkins et al.		
D437,497 S	*	2/2001	Bräuning	D6/366

OTHER PUBLICATIONS

www.aluminumbydesign.org/pages/catalog_html/57.htm containing information on the Toledo Chair, dated Jan. 16, 2001.

* cited by examiner

Primary Examiner—Gary D. Watson

(74) *Attorney, Agent, or Firm*—Price Heneveld Cooper DeWitt & Litton

(57) **CLAIM**

The ornamental design for a chair, as shown and described.

DESCRIPTION

FIG. 1 is a perspective view of a chair embodying the present invention;

FIG. 2 is a front view of FIG. 1;

FIG. 3 is a right side view of FIG. 1, the left side view being a mirror image of the right side;

FIG. 4 is a rear view of FIG. 1; and

FIG. 5 is a top view of FIG. 1.

FIG. 6 is a perspective view of a second embodiment of the present invention;

FIG. 7 is a front view of FIG. 6;

FIG. 8 is a right side view of FIG. 6, the left side being a mirror image of the right side;

FIG. 9 is a rear view of FIG. 6; and

FIG. 10 is a top view of FIG. 6.

FIG. 11 is a perspective view of a third embodiment of the present invention;

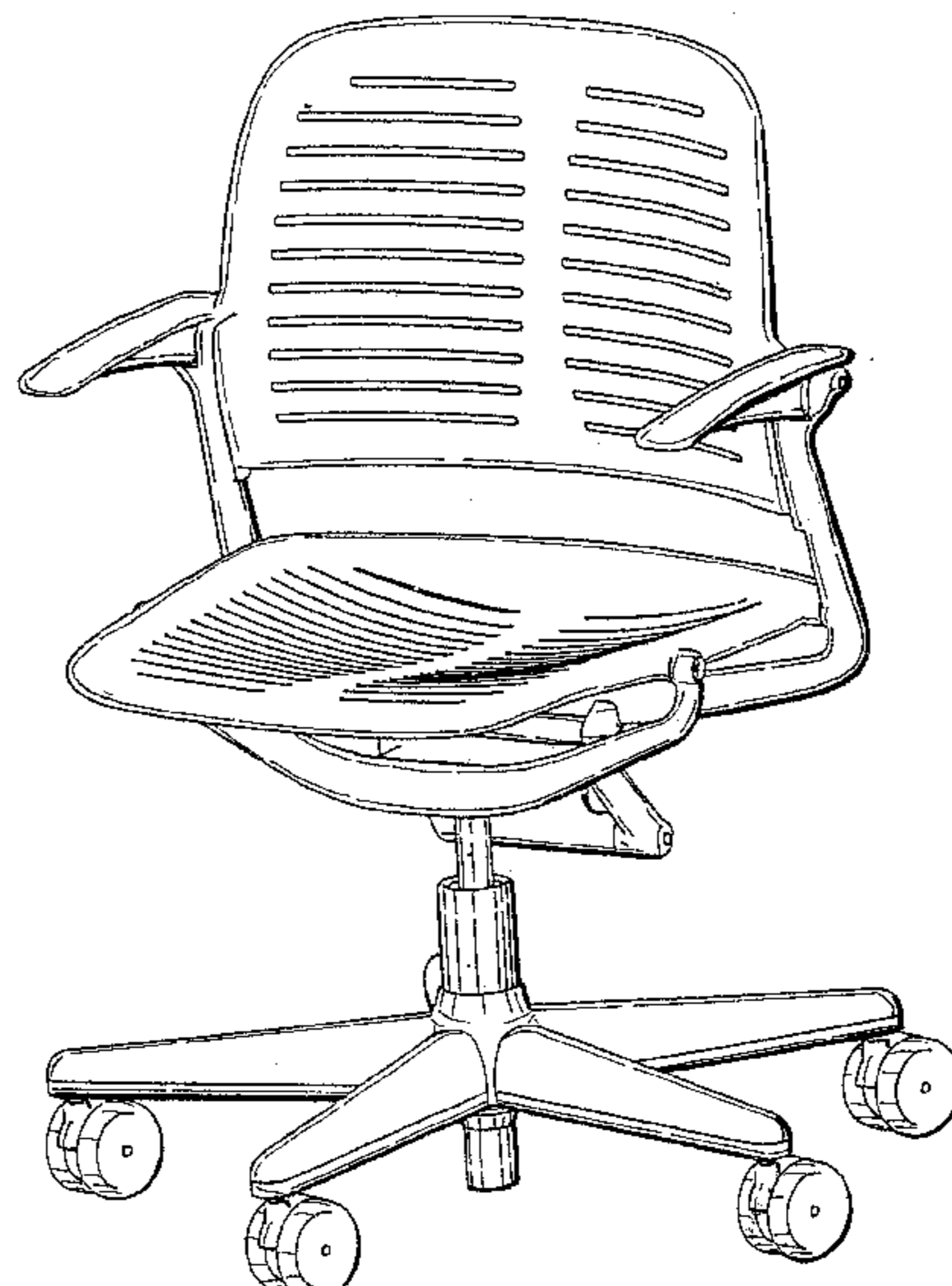
FIG. 12 is a front view of FIG. 11;

FIG. 13 is a right side view of FIG. 11, the left side being a mirror image of the right side;

FIG. 14 is a rear view of FIG. 11; and,

FIG. 15 is a top view of FIG. 11.

1 Claim, 7 Drawing Sheets



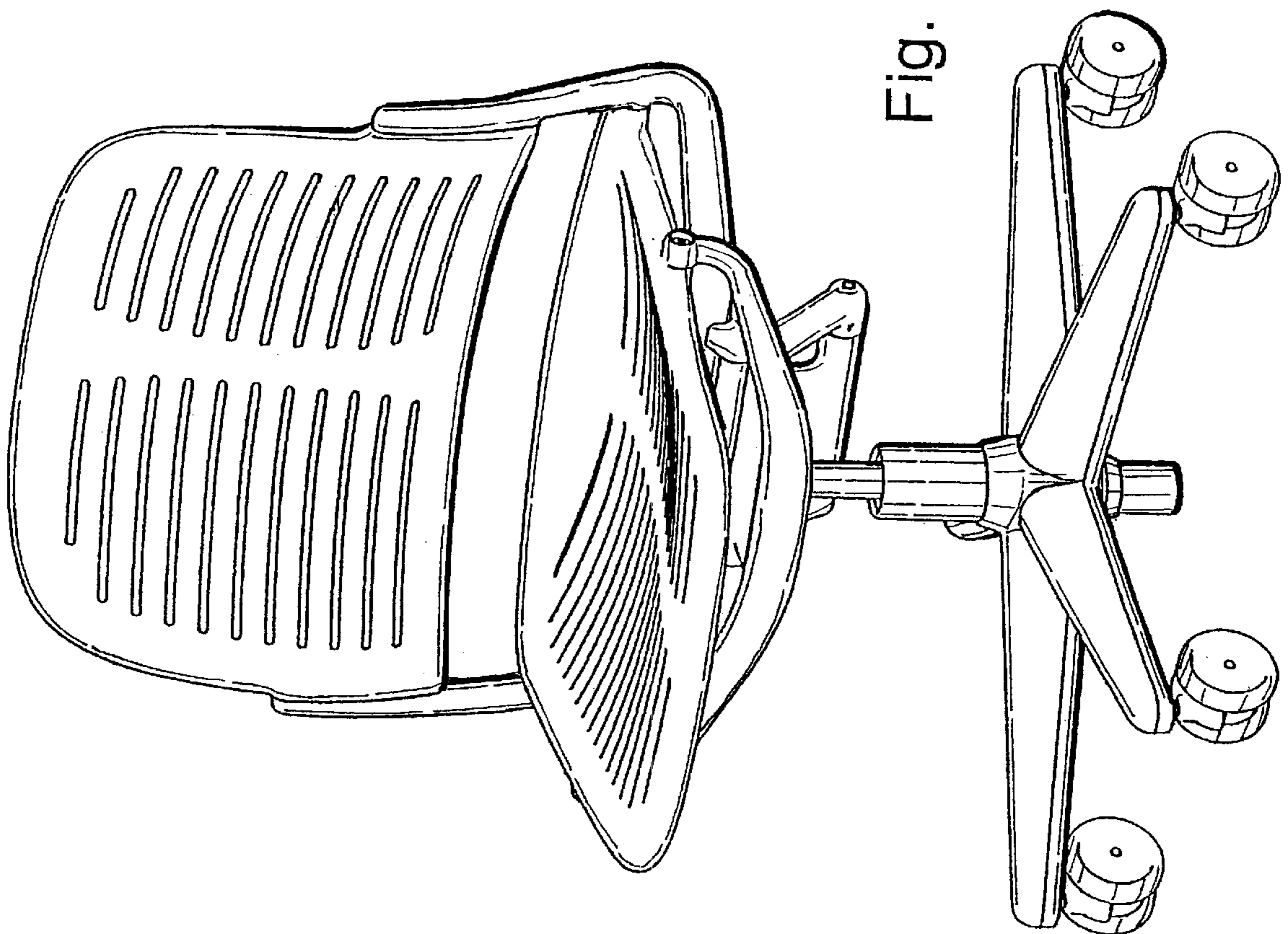


Fig. 1

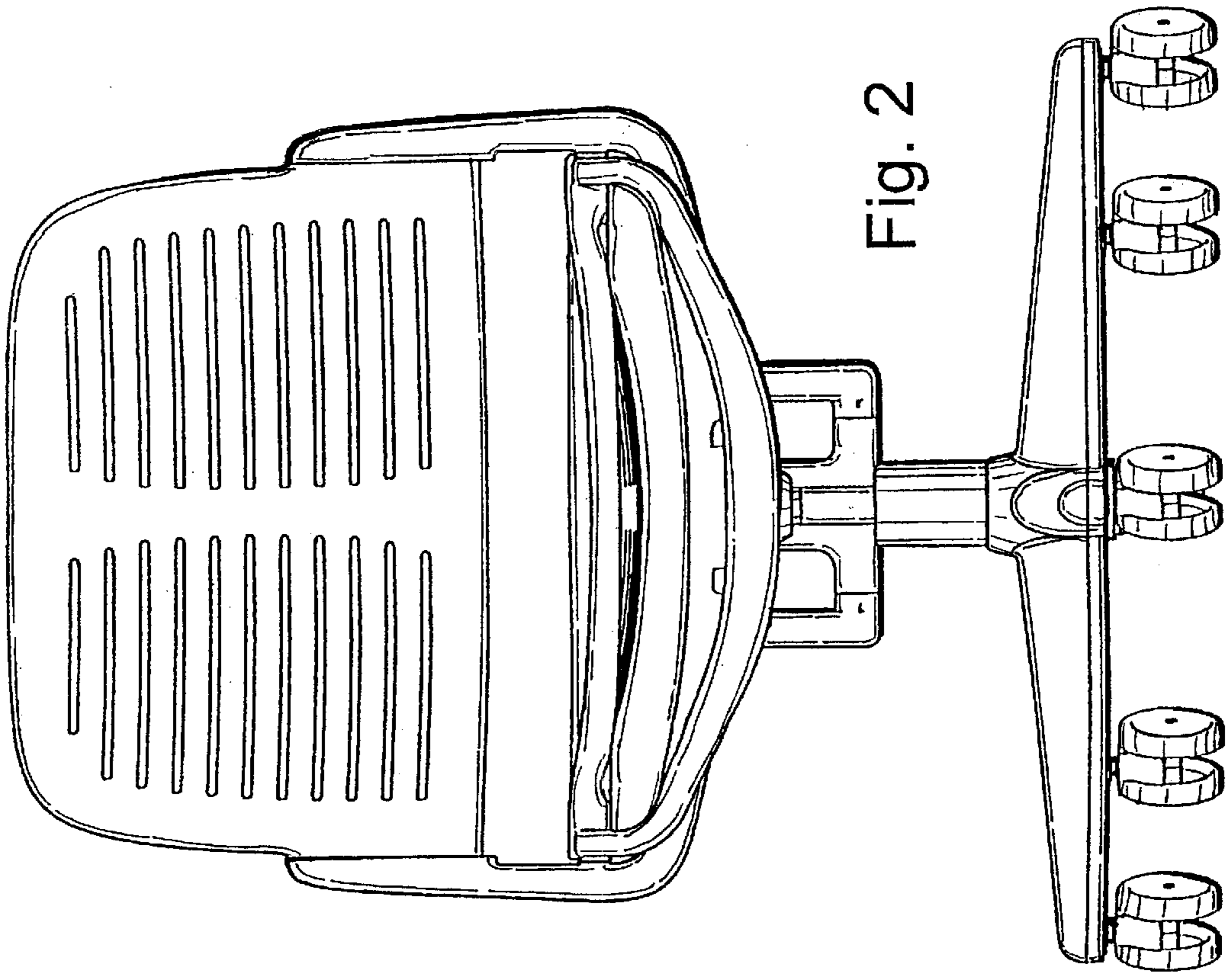


Fig. 2

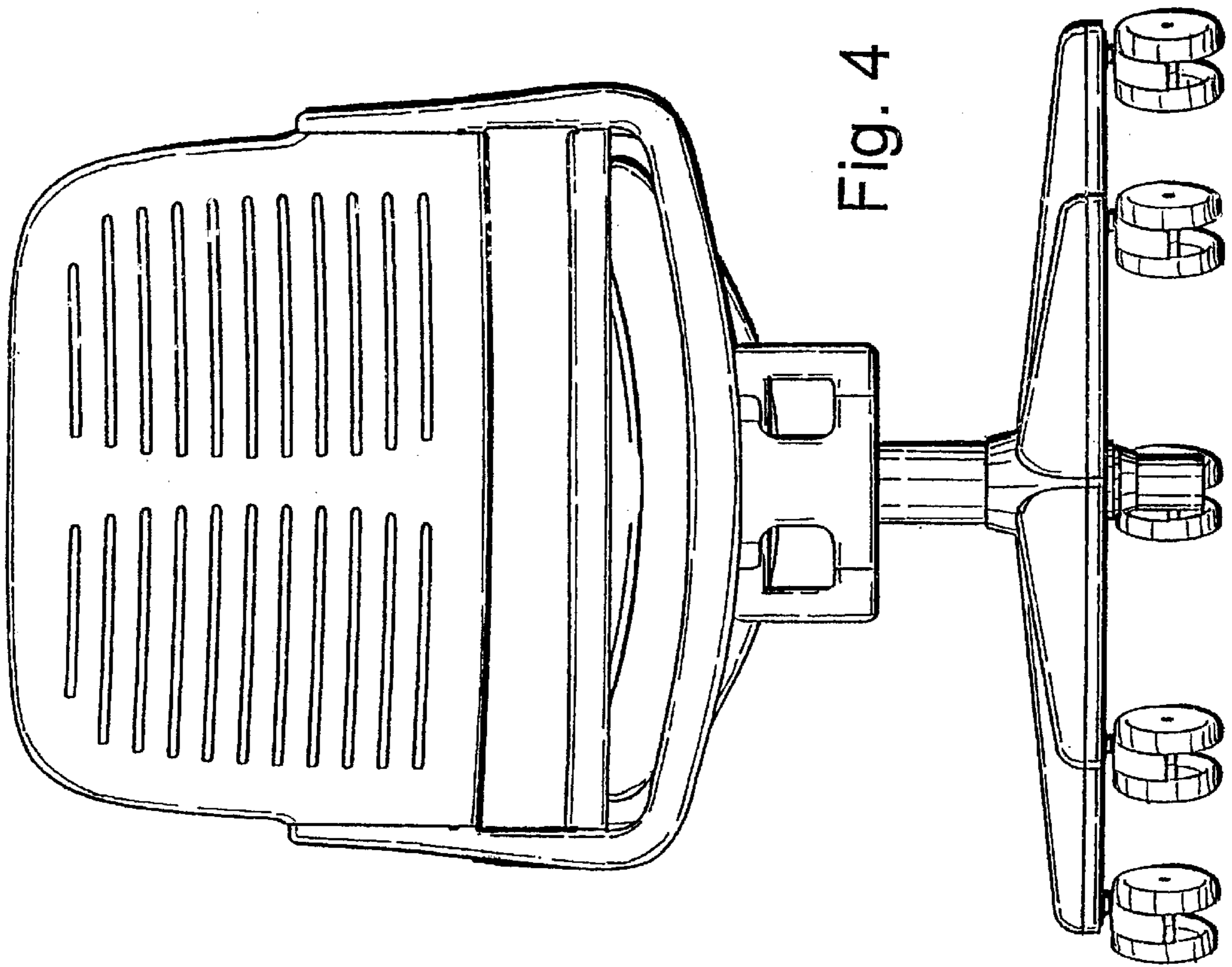


Fig. 4

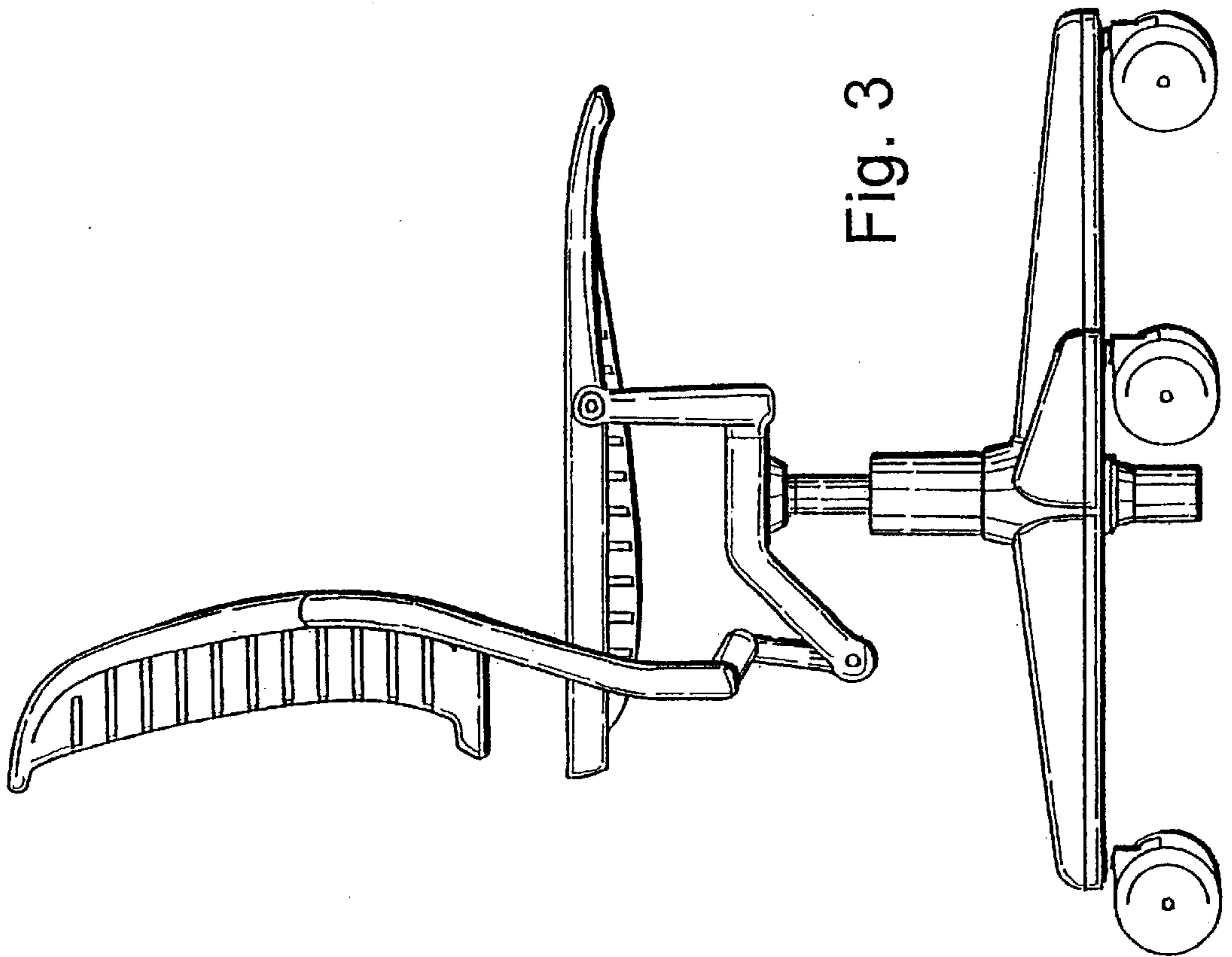


Fig. 3

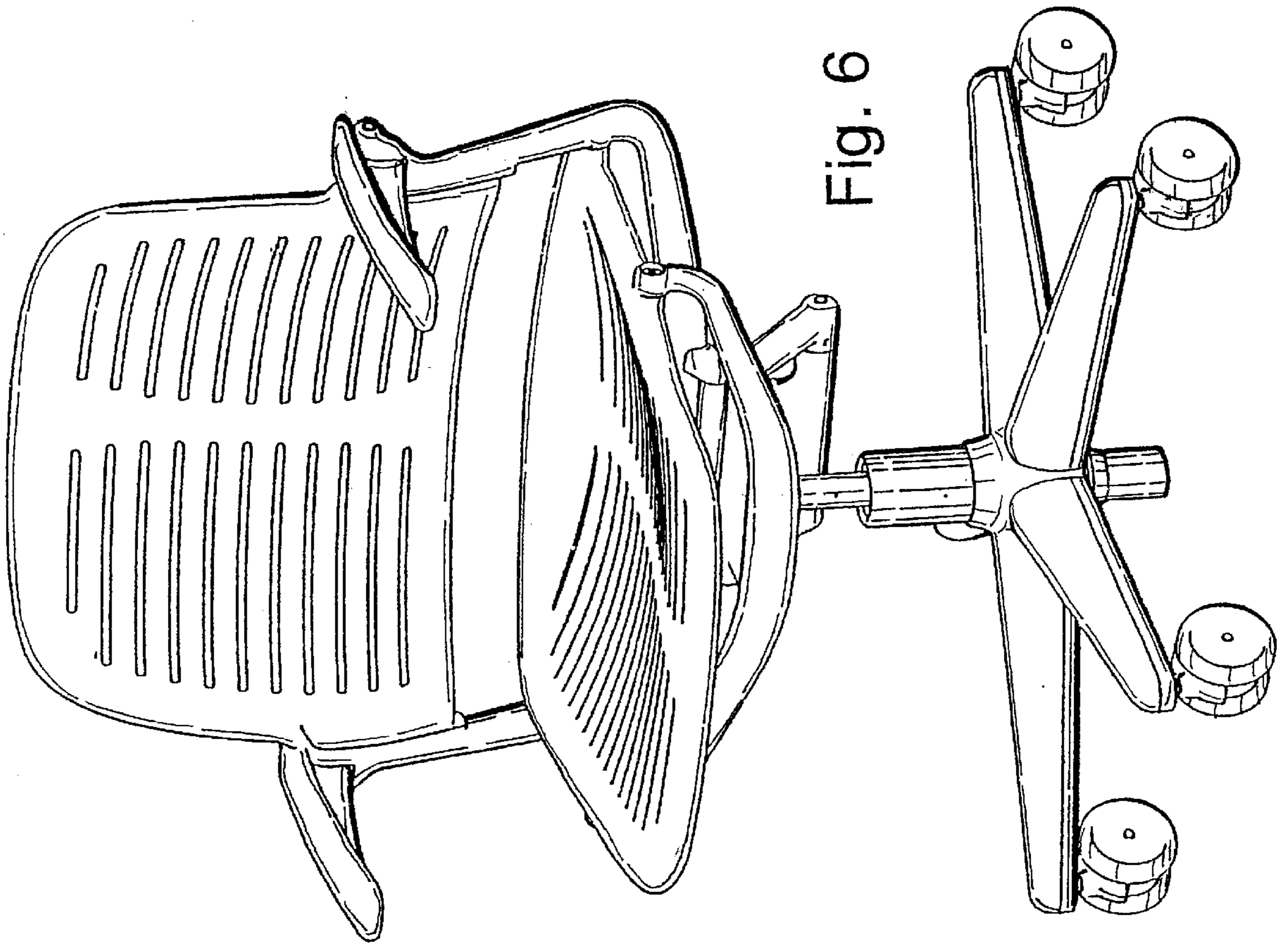


Fig. 6

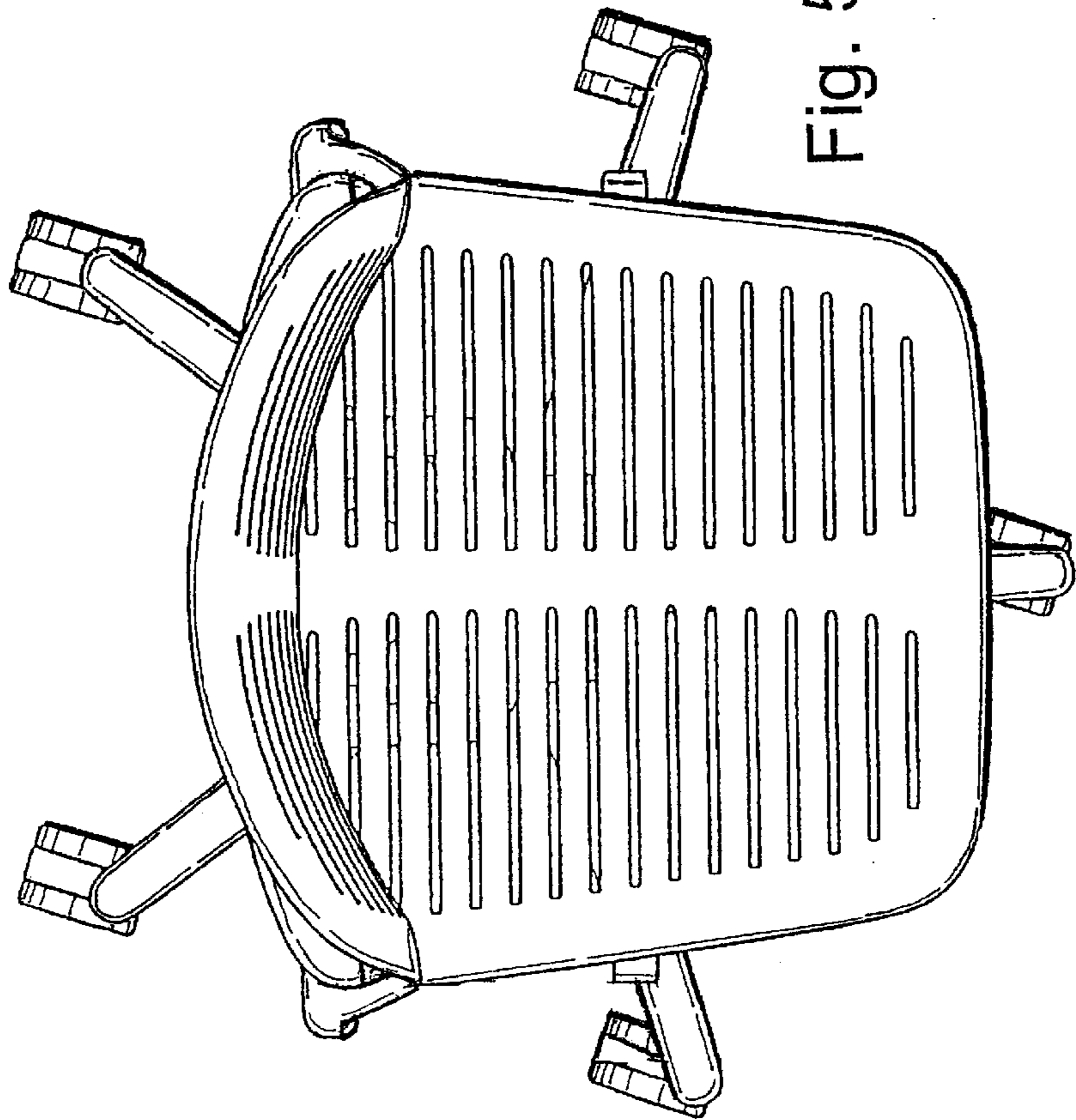


Fig. 5

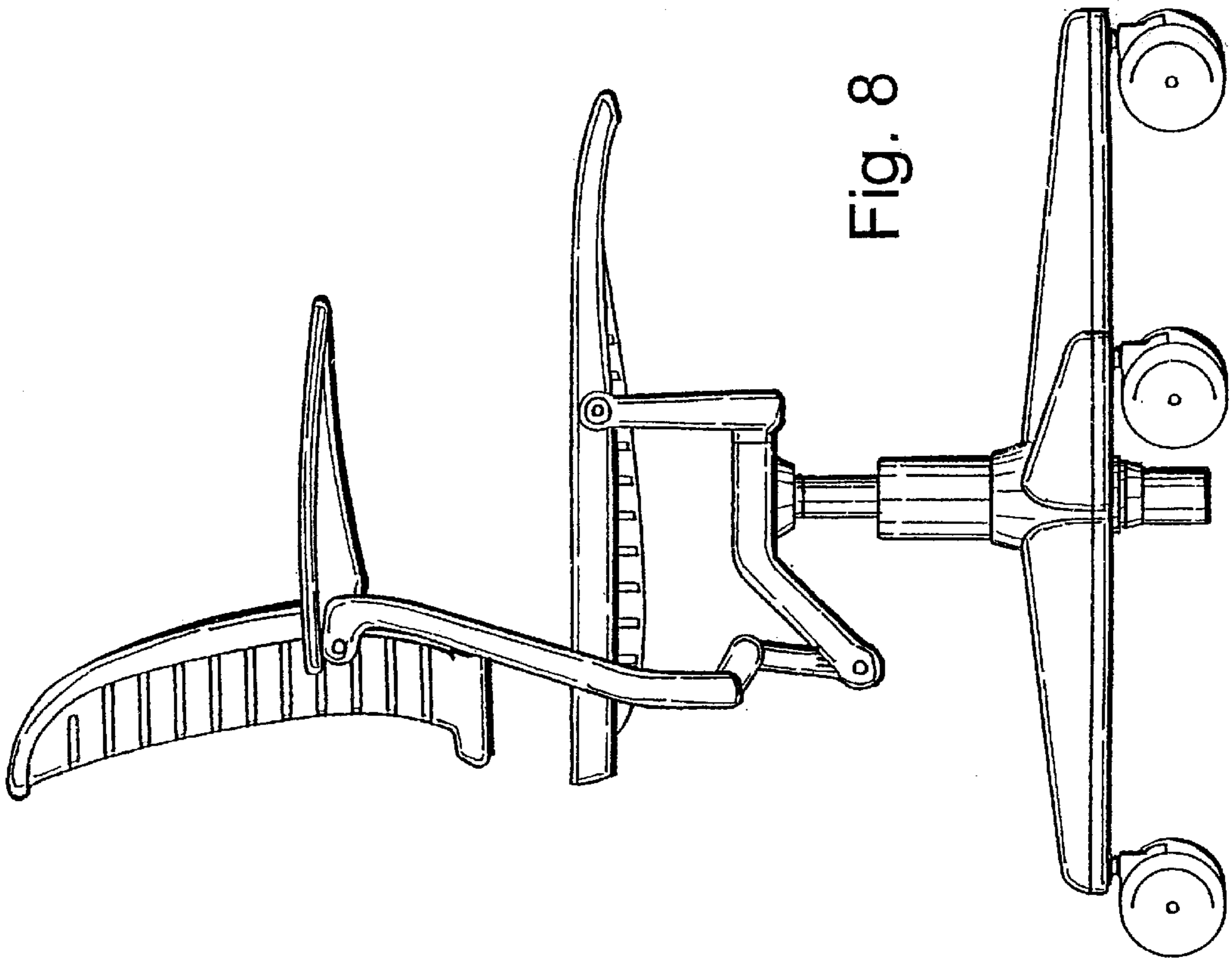


Fig. 8

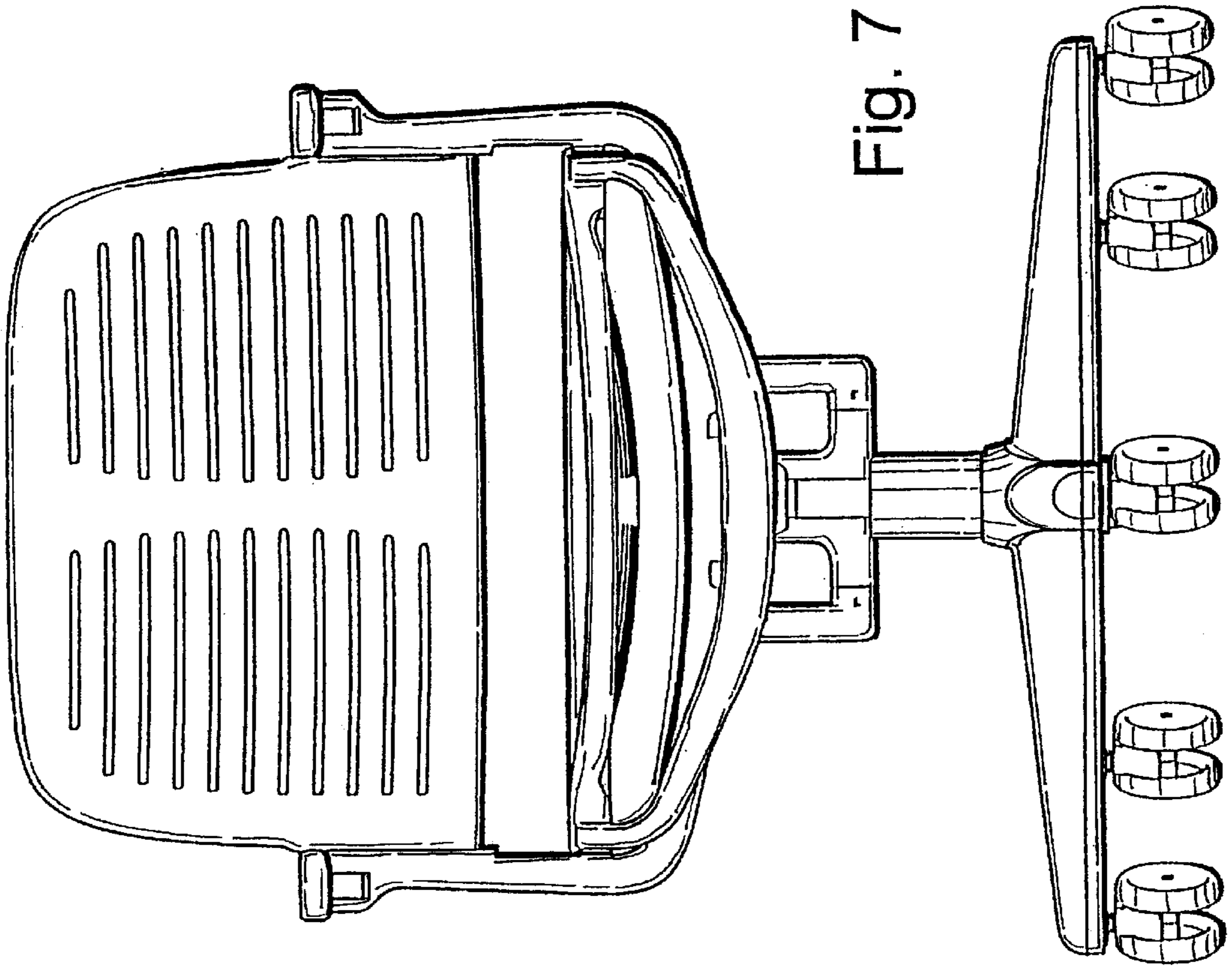


Fig. 7

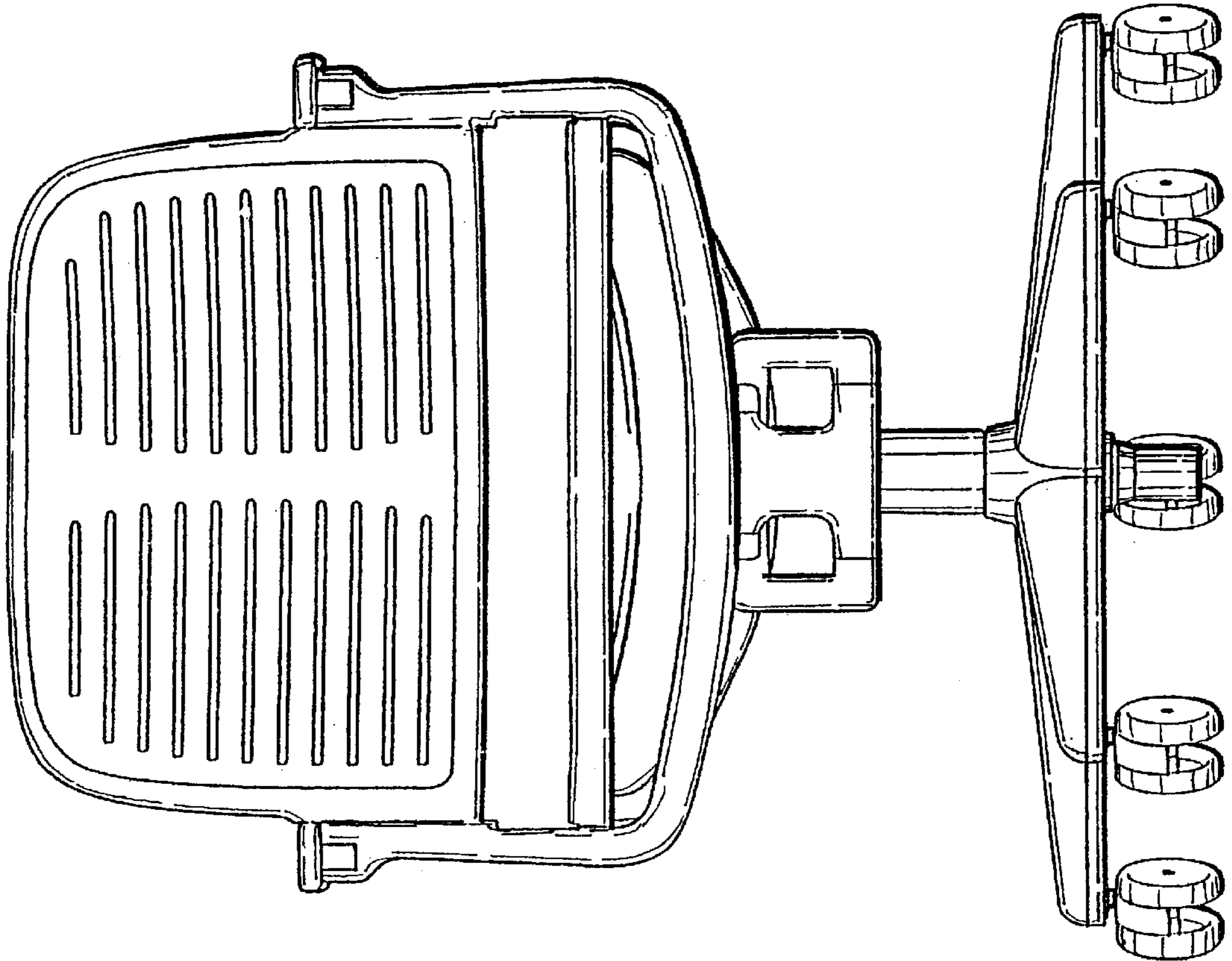


Fig. 9

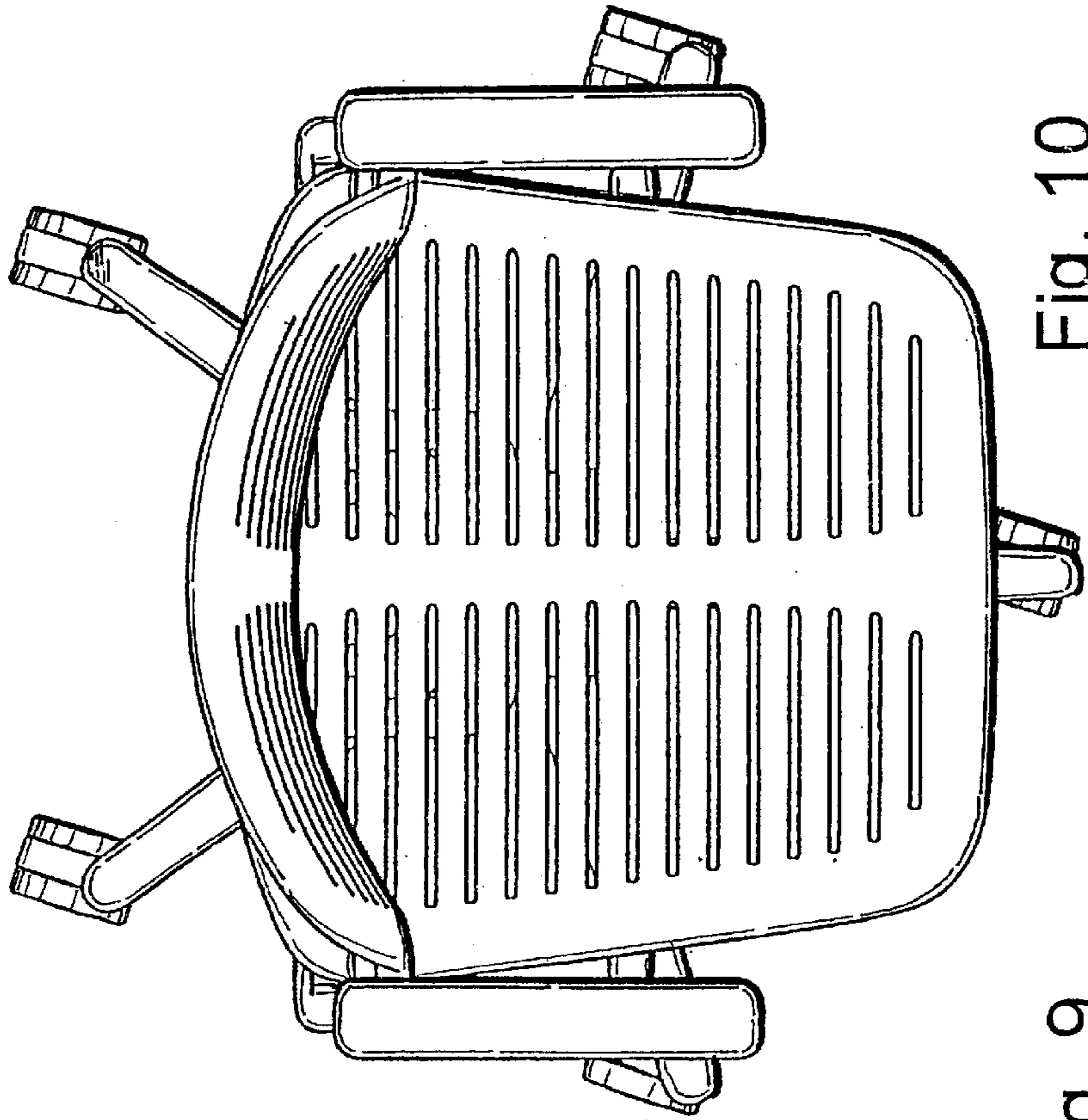


Fig. 10

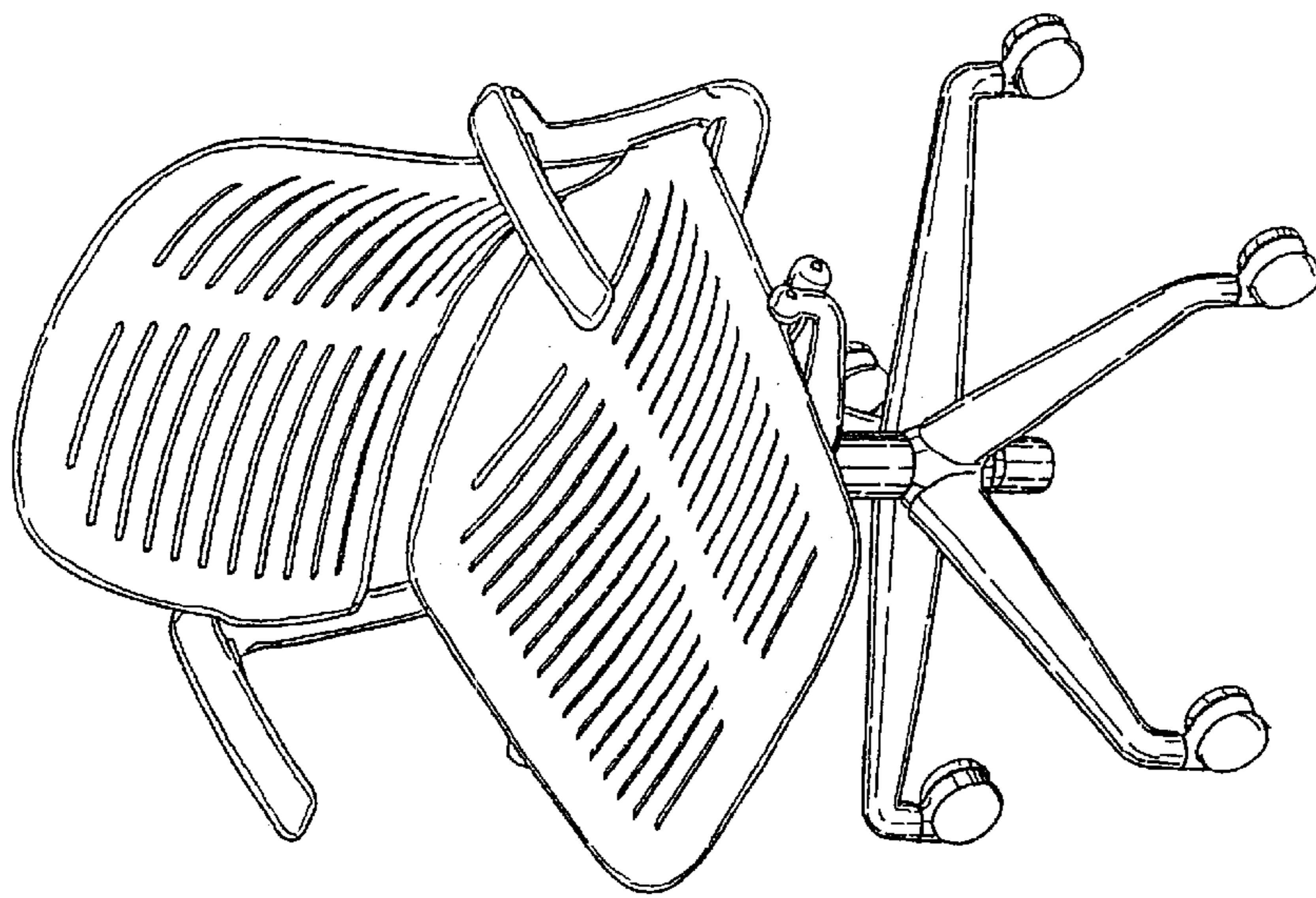


Fig. 11

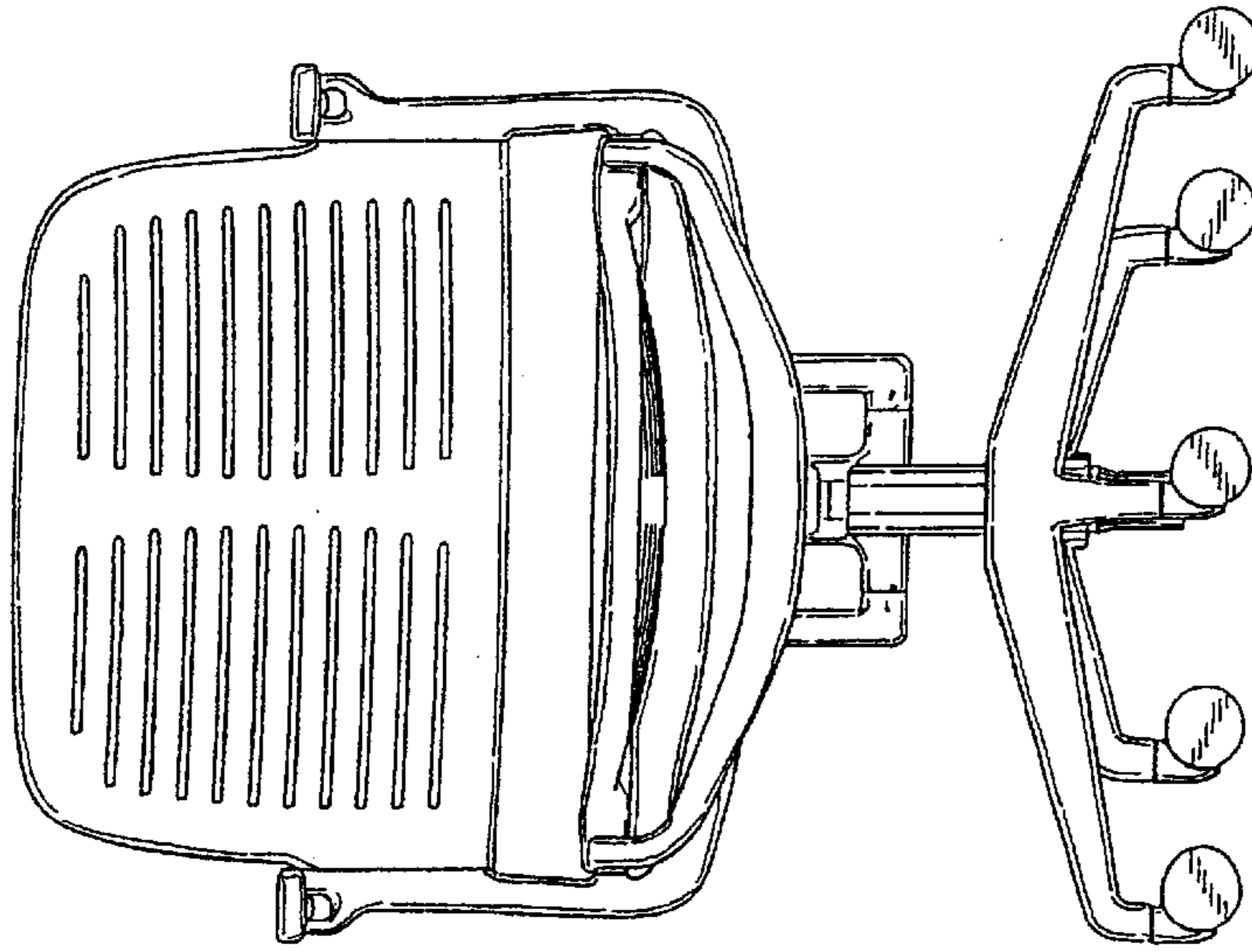


Fig. 12

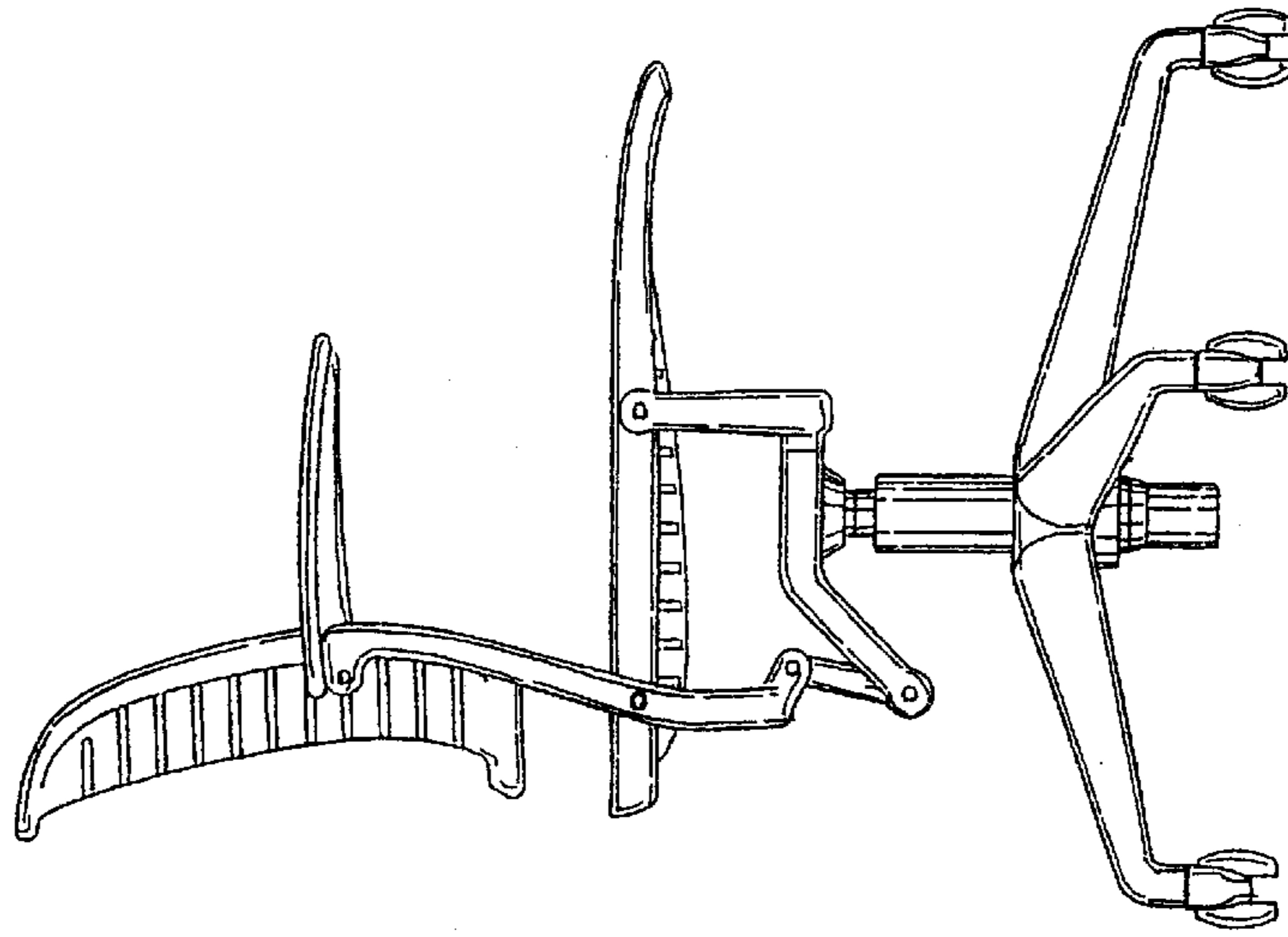


Fig. 13

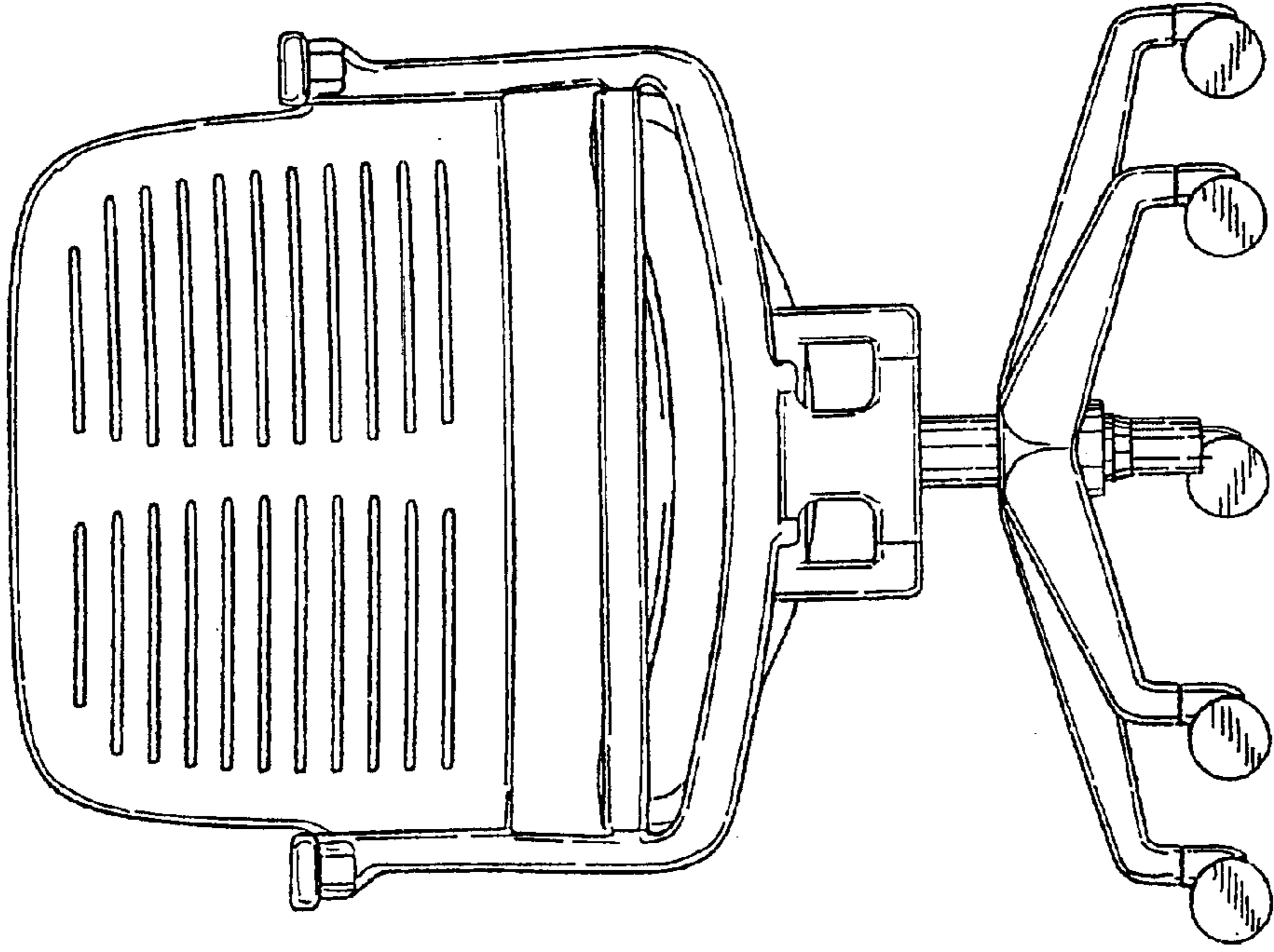


Fig. 14

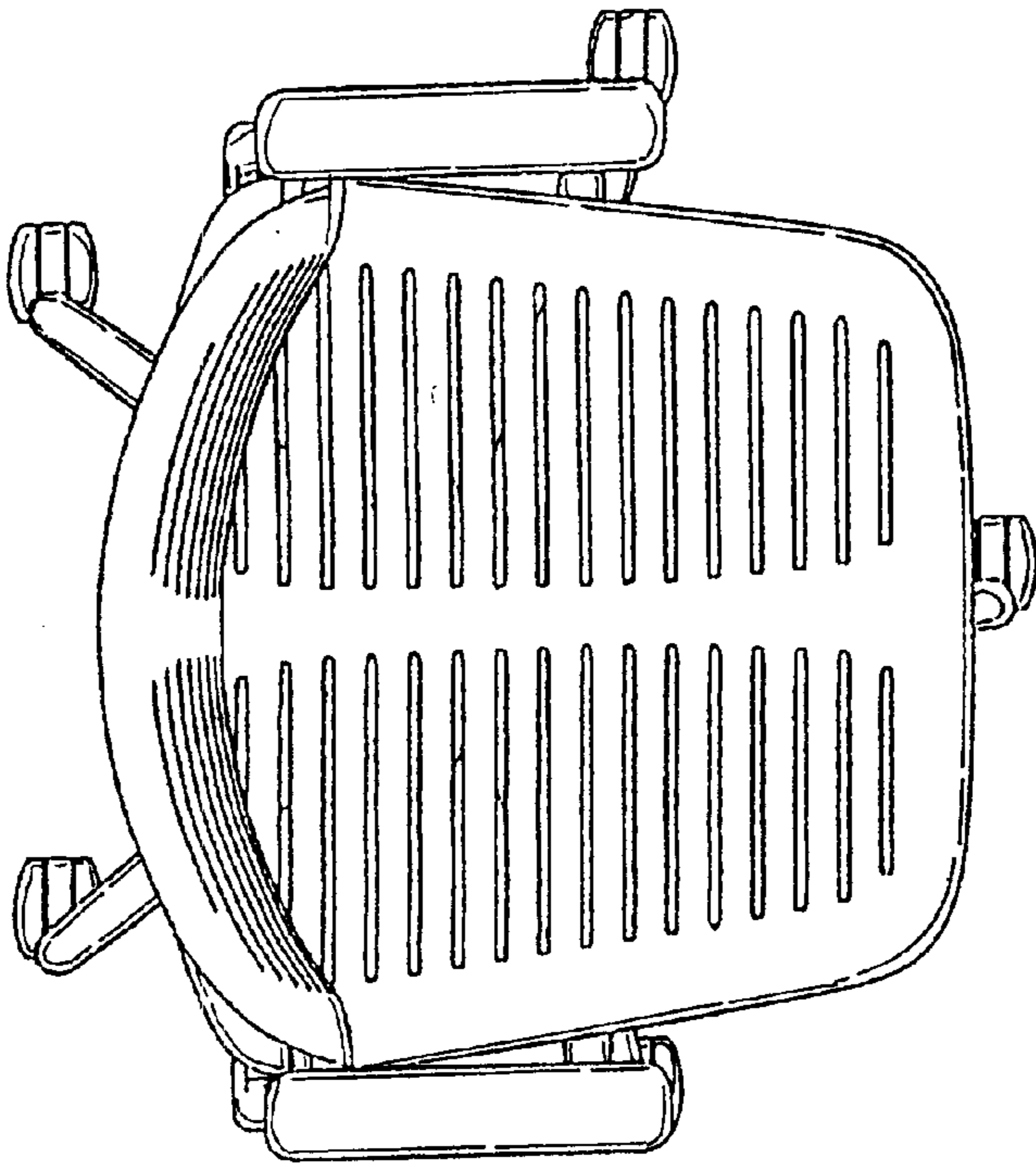


Fig. 15