



US00D457735S

(12) **United States Design Patent**
Moore

(10) **Patent No.:** **US D457,735 S**

(45) **Date of Patent:** **** May 28, 2002**

(54) **ROBE HOOK**

D442,056 S * 5/2001 Duggan D8/372
D442,407 S * 5/2001 Solowiej D6/524

(75) Inventor: **Glenn David Moore**, Pompton Lakes,
NJ (US)

* cited by examiner

(73) Assignee: **Melard Manufacturing Corp.**, Passaic,
NJ (US)

Primary Examiner—Pamela Burgess

(74) *Attorney, Agent, or Firm*—Edgar A. Zarins; Lloyd D.
Doigan

(**) Term: **14 Years**

(57) **CLAIM**

(21) Appl. No.: **29/147,120**

The ornamental design for a robe hook, as shown and
described.

(22) Filed: **Aug. 23, 2001**

(51) **LOC (7) Cl.** **06-08**

(52) **U.S. Cl.** **D6/323; D8/367**

(58) **Field of Search** D8/372; D6/323,
D6/320, 566, 567, 324; 211/87.01; 248/301-304

DESCRIPTION

FIG. 1 is a perspective view of a robe hook showing my new
design;

FIG. 2 is a front elevational view thereof;

FIG. 3 is a rear elevational view thereof;

FIG. 4 is a top plan view thereof;

FIG. 5 is a bottom plan view thereof;

FIG. 6 is a right side view thereof; and,

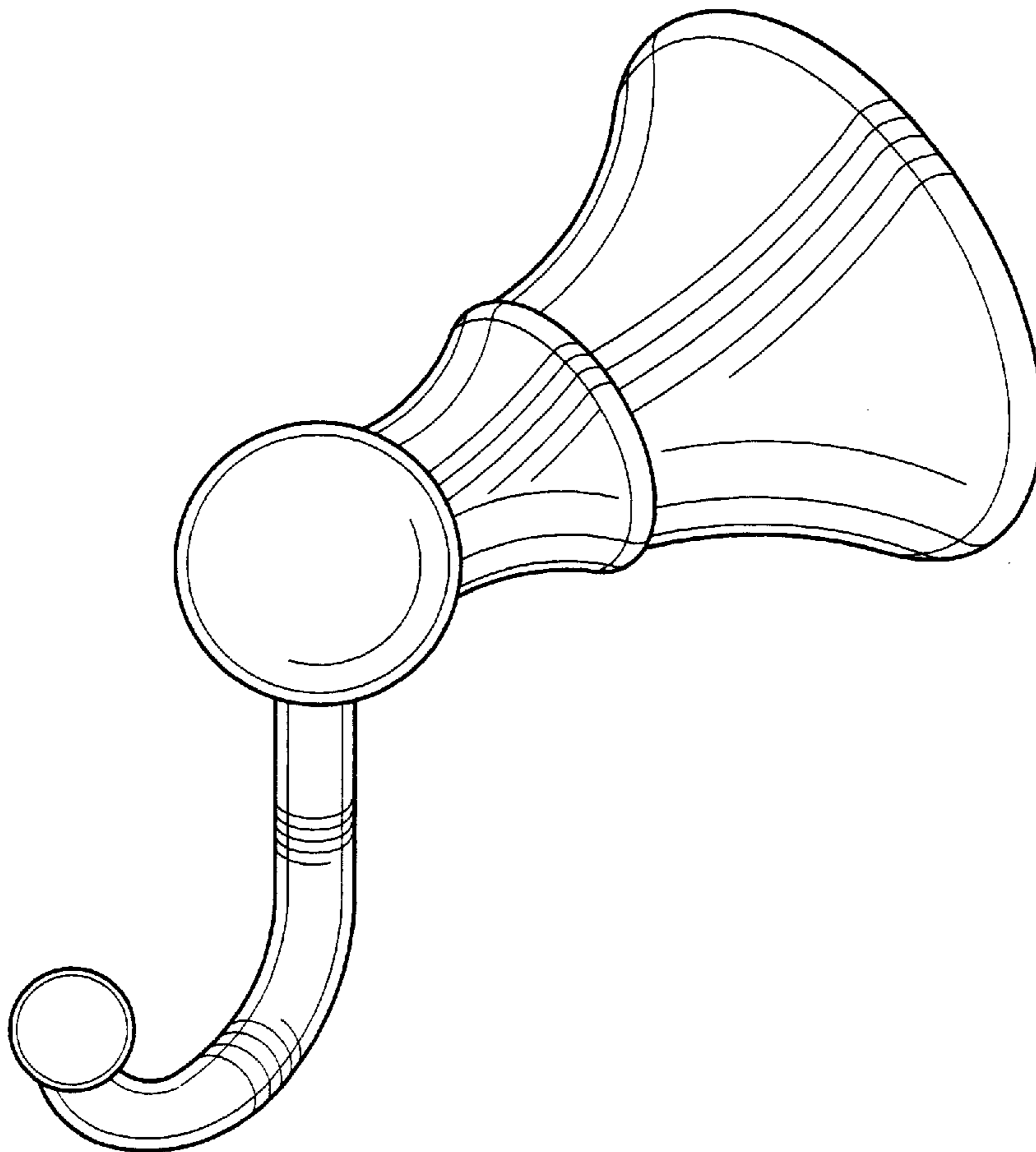
FIG. 7 is a left side view thereof.

(56) **References Cited**

U.S. PATENT DOCUMENTS

D281,838 S * 12/1985 Thompson D6/323
D362,615 S * 9/1995 Shames et al. D8/367
D431,948 S * 10/2000 Chen D6/524

1 Claim, 3 Drawing Sheets



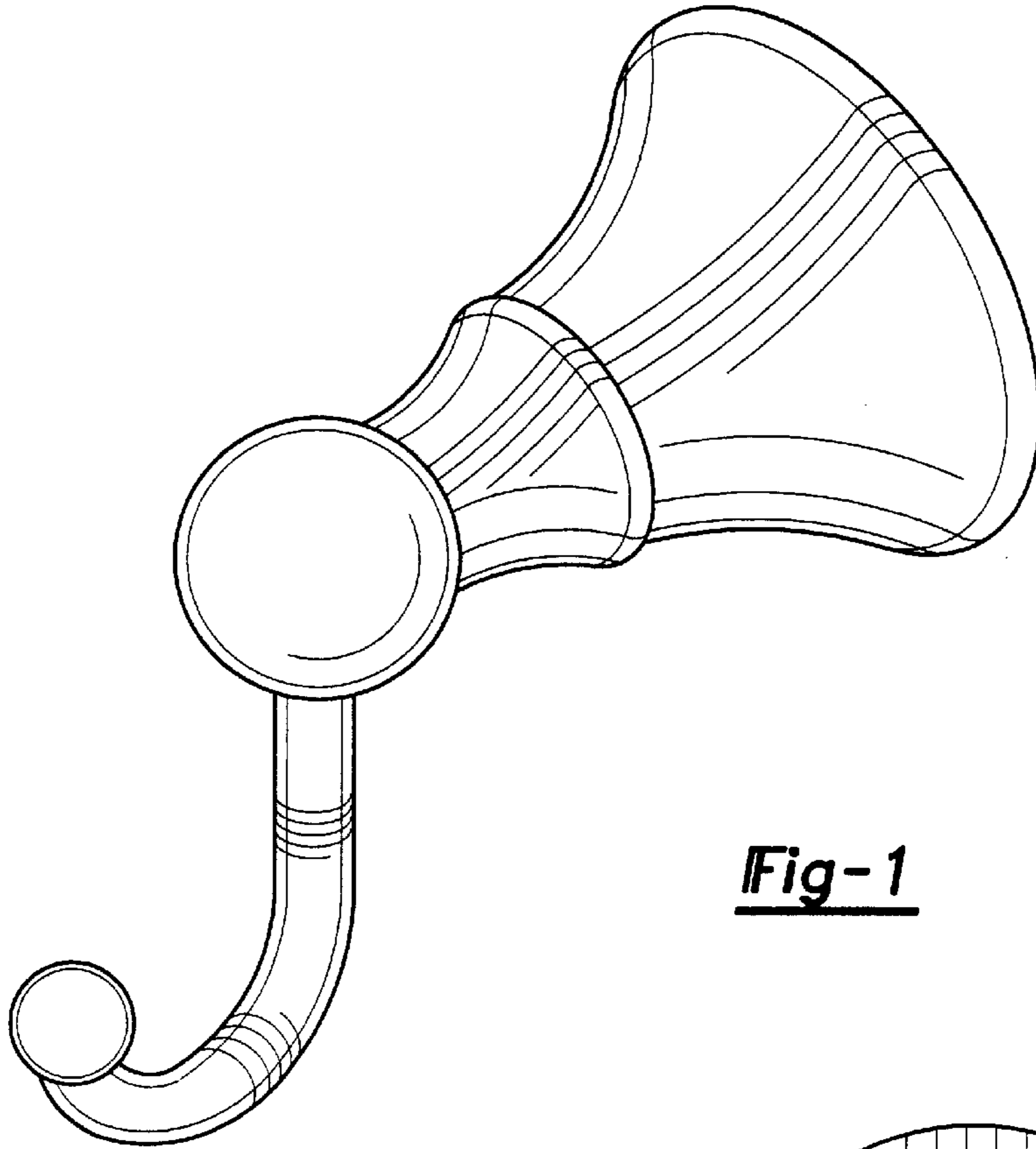


Fig-1

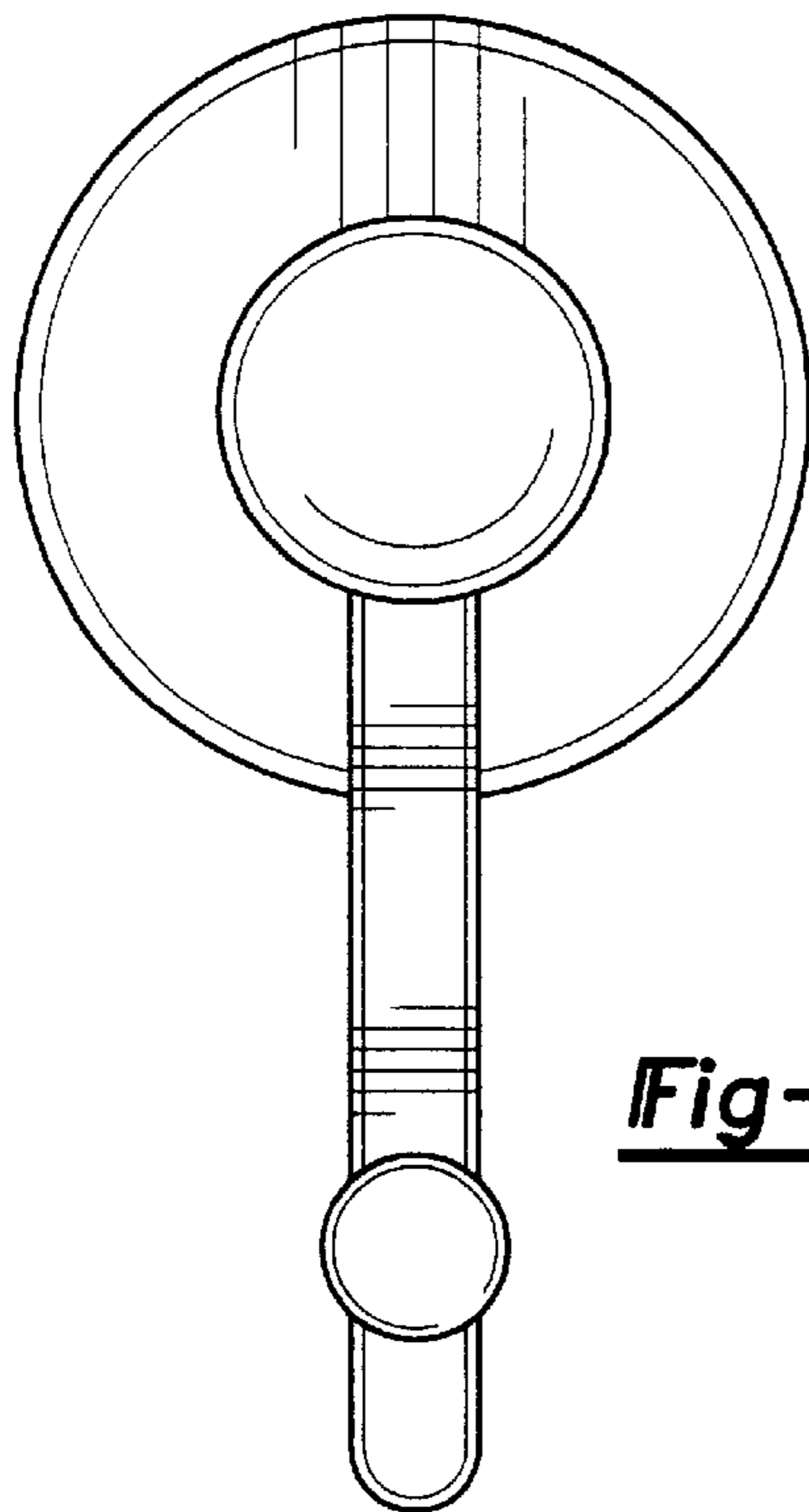


Fig-2

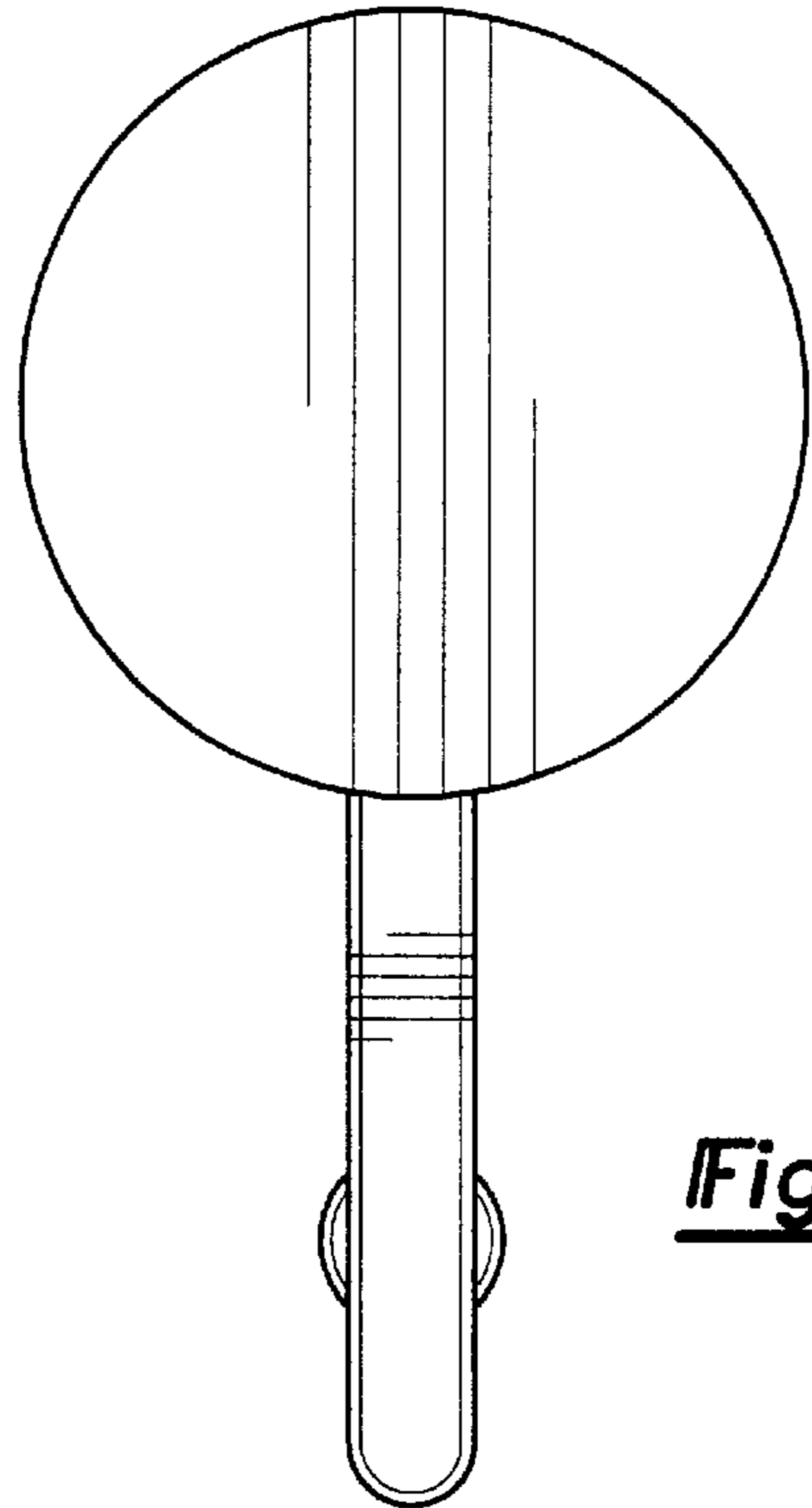


Fig-3

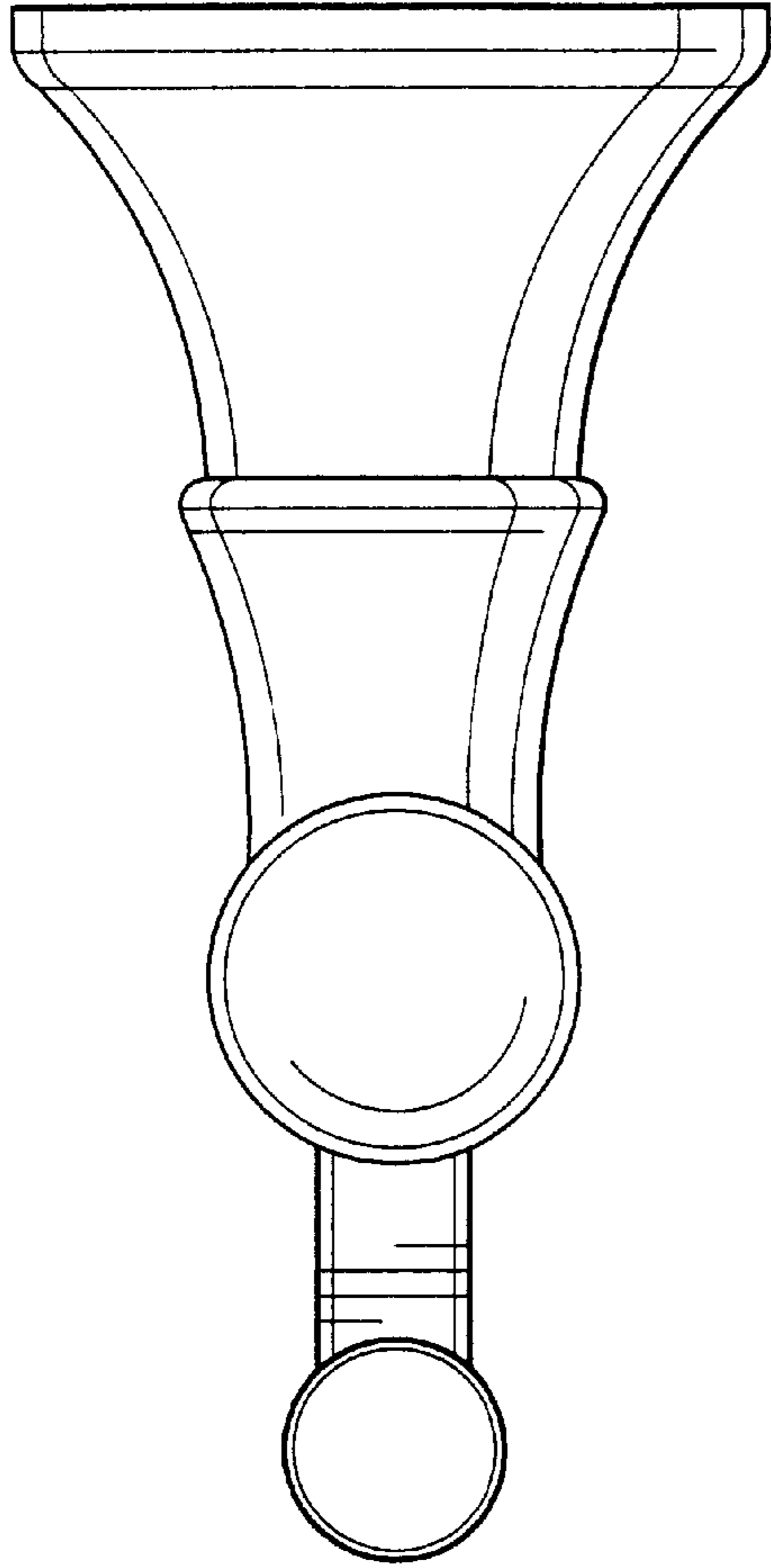


Fig-4

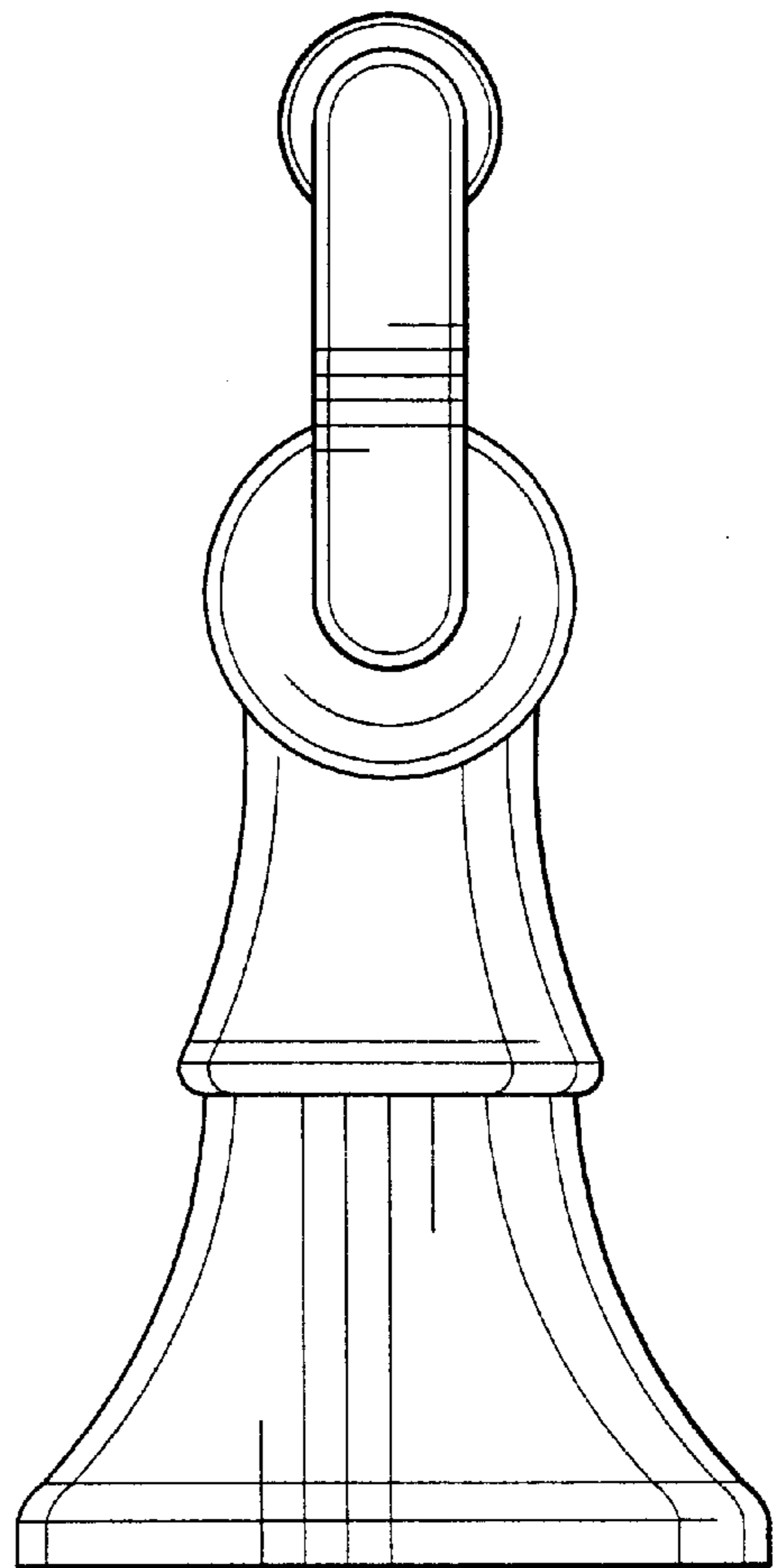


Fig-5

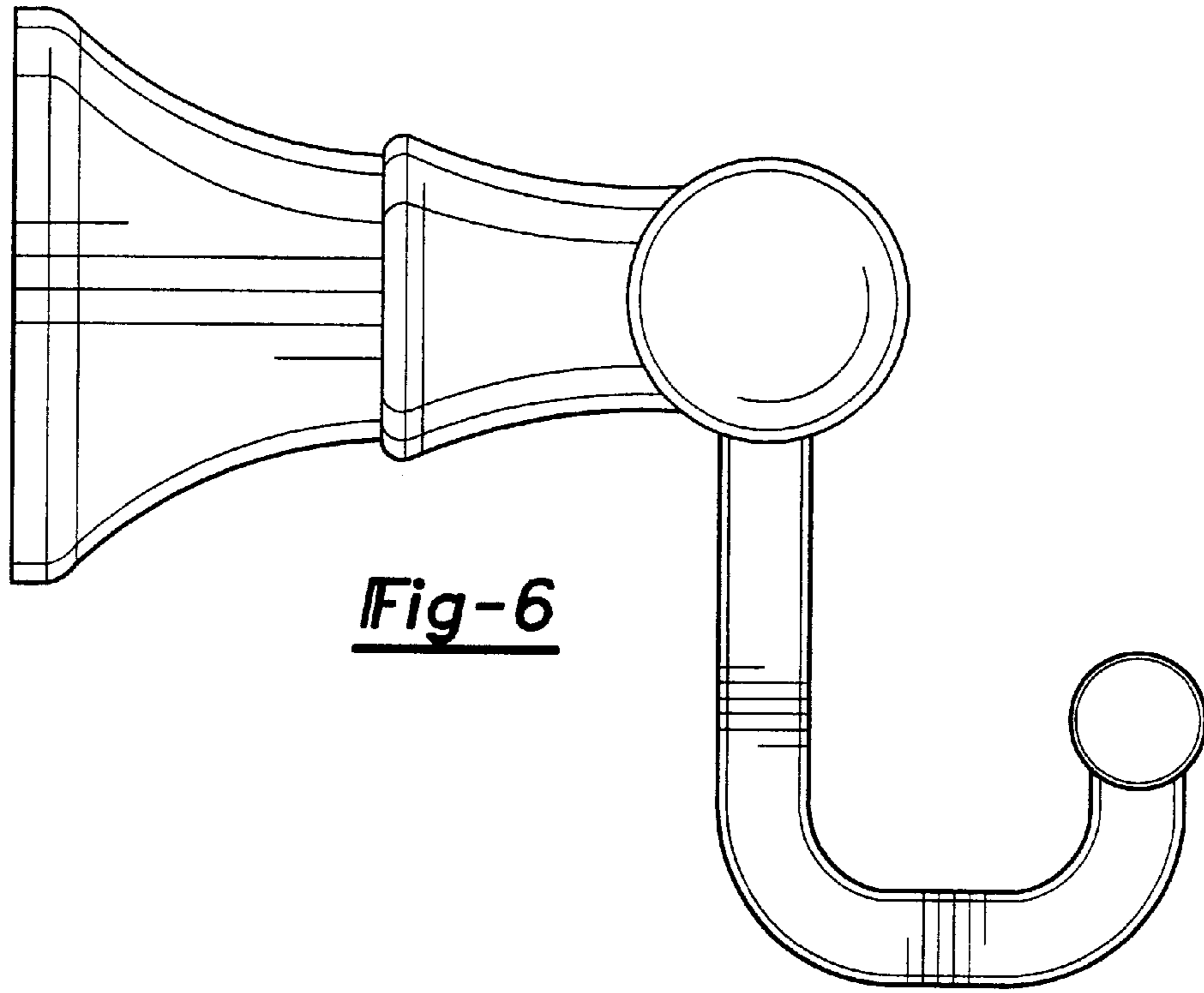


Fig-6

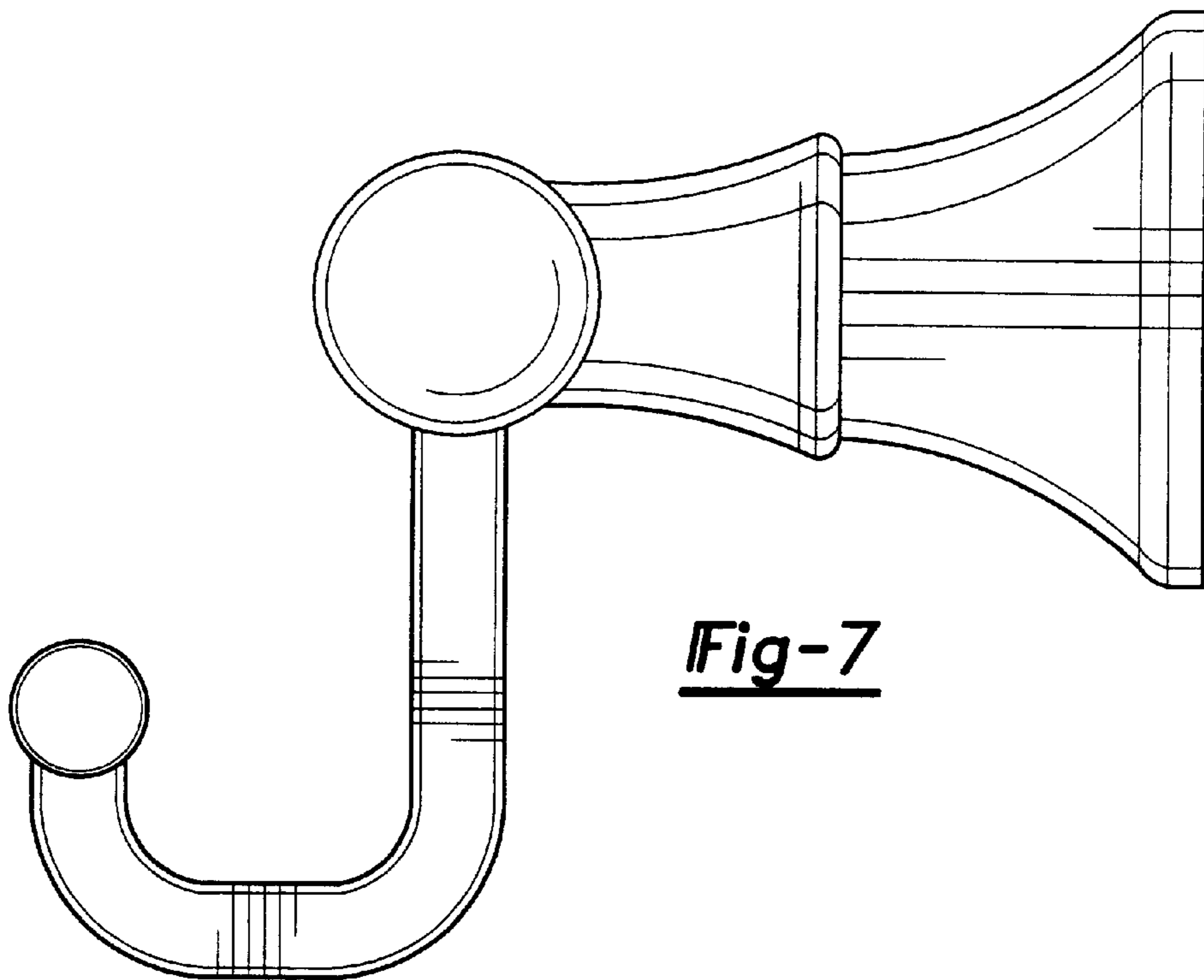


Fig-7