



US00D457734S

(12) **United States Design Patent**
Chan

(10) **Patent No.:** **US D457,734 S**

(45) **Date of Patent:** **** May 28, 2002**

(54) **PICTURE FRAME**

(75) Inventor: **Sik-Leung Chan, Tsuen Wan (CN)**

(73) Assignee: **C. C. & L Company Limited, Tsuen Wan (CN)**

(**) Term: **14 Years**

(21) Appl. No.: **29/134,243**

(22) Filed: **Dec. 15, 2000**

(30) **Foreign Application Priority Data**

Jul. 27, 2000 (HK) 0010975

(51) **LOC (7) Cl.** **06-07**

(52) **U.S. Cl.** **D6/301**

(58) **Field of Search** D6/300-314, 472;
40/700, 711, 714, 720, 722, 724, 725, 735,
745, 748-752, 780, 790, 798; D20/10

(56) **References Cited**

U.S. PATENT DOCUMENTS

D317,790 S * 6/1991 Hey D20/39

D363,398 S * 10/1995 Branz et al. D6/472

D425,875 S * 5/2000 Wilson D14/113

D444,177 S * 6/2001 Carretta D19/85

* cited by examiner

Primary Examiner—Janice E. Seeger

(74) *Attorney, Agent, or Firm*—Alix, Yale & Ristas, LLP

(57) **CLAIM**

The ornamental design for a picture frame, as shown and described.

DESCRIPTION

FIG. 1 is a perspective view of a picture frame showing my new design;

FIG. 2 is a front elevational view thereof;

FIG. 3 is a left side elevational view thereof;

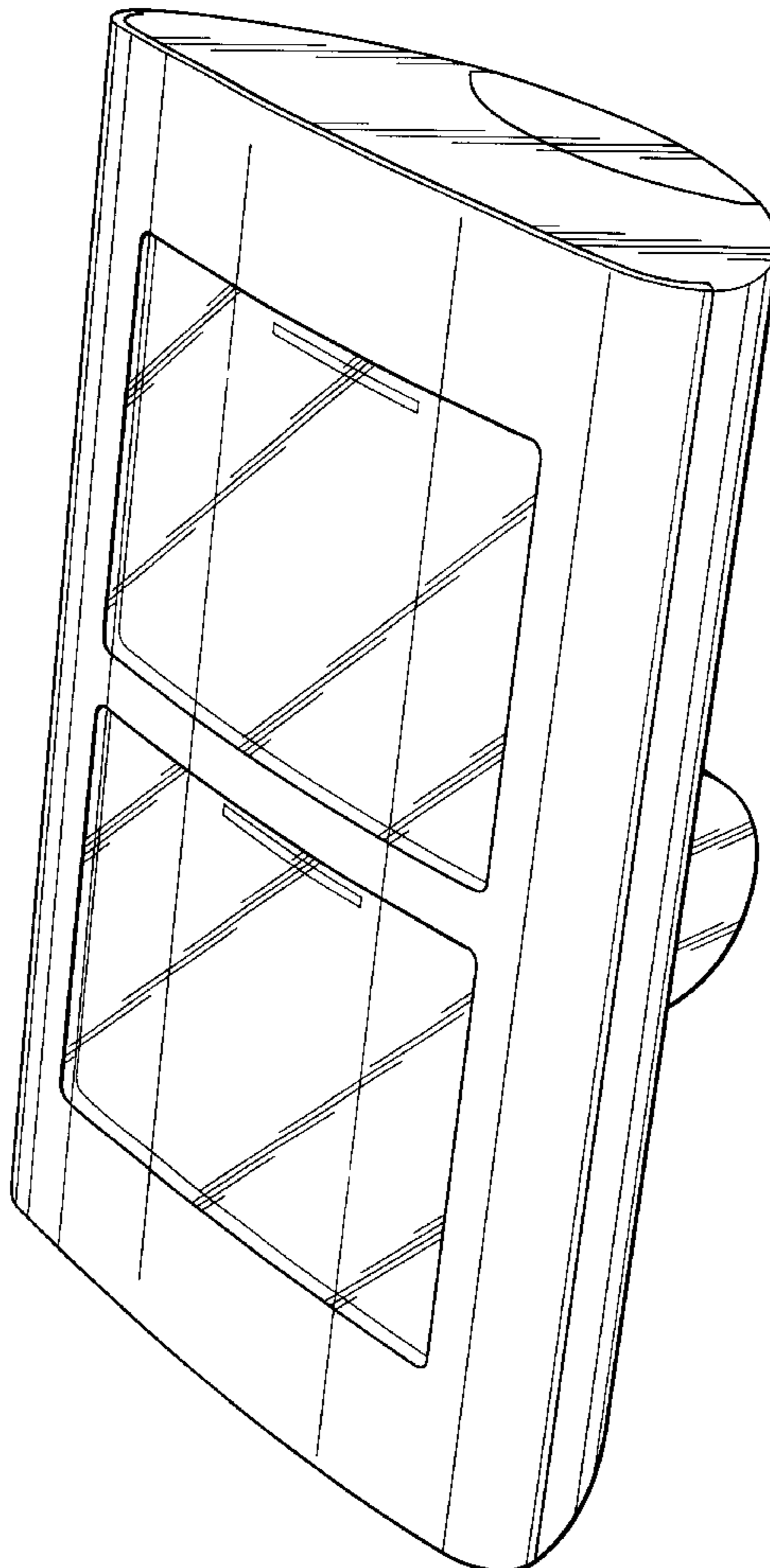
FIG. 4 is a top plan view thereof;

FIG. 5 is a right side elevational view thereof;

FIG. 6 is a rear elevational view thereof; and,

FIG. 7 is a bottom plan view thereof.

1 Claim, 3 Drawing Sheets



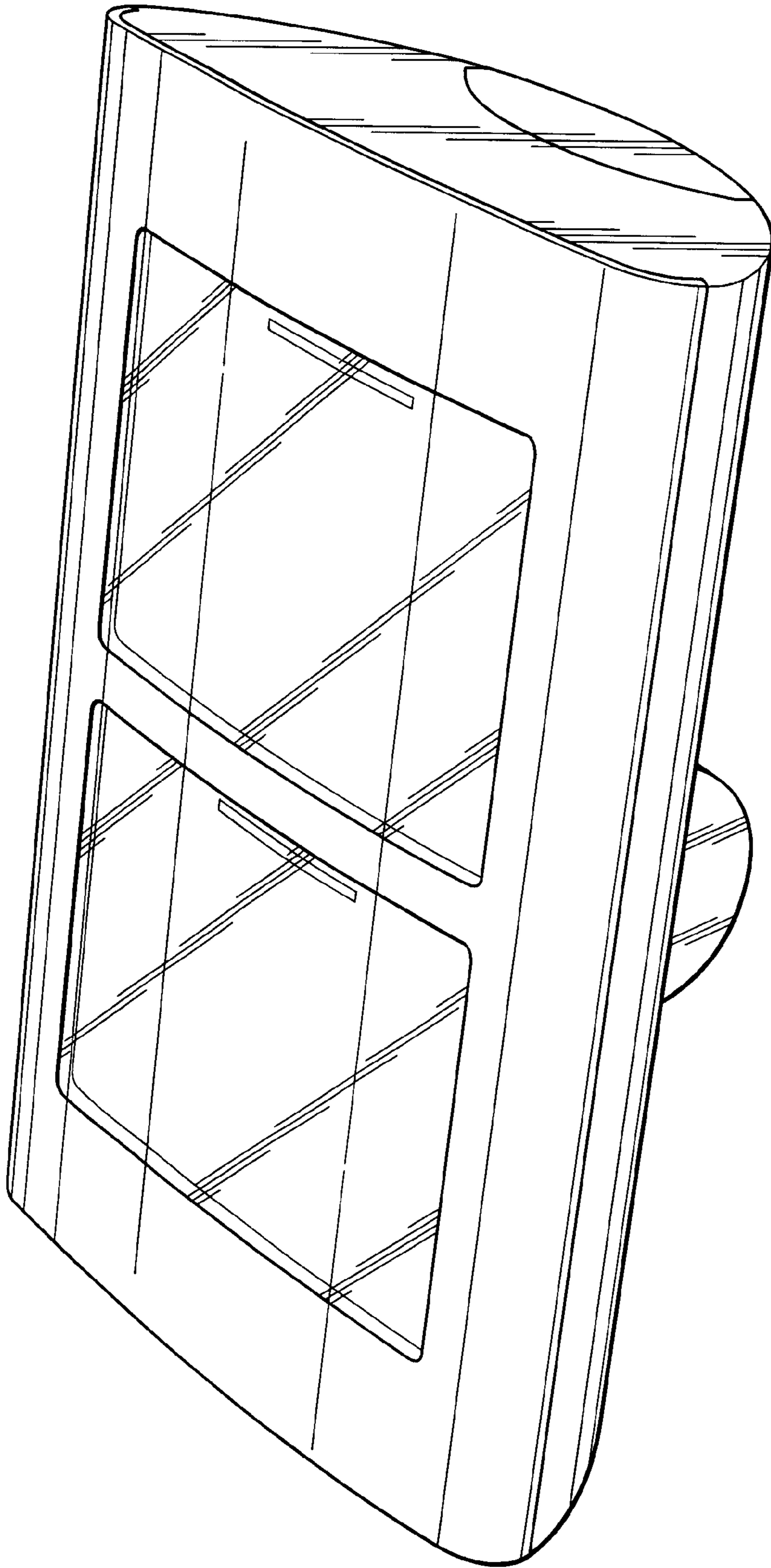


FIG. 1

FIG. 4

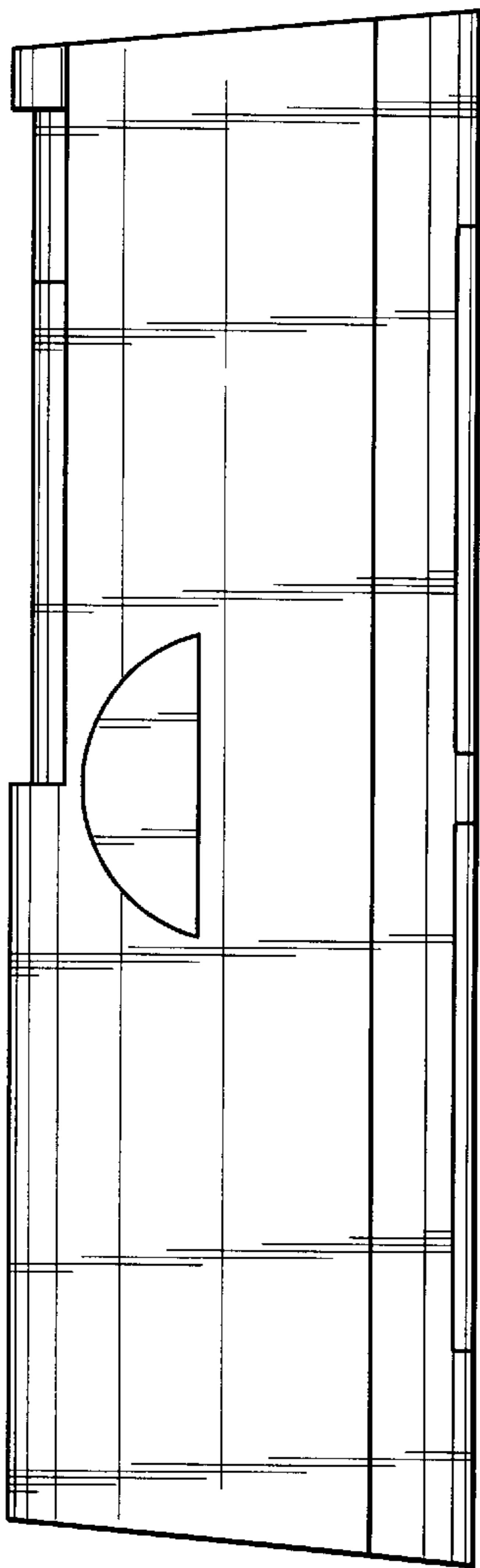
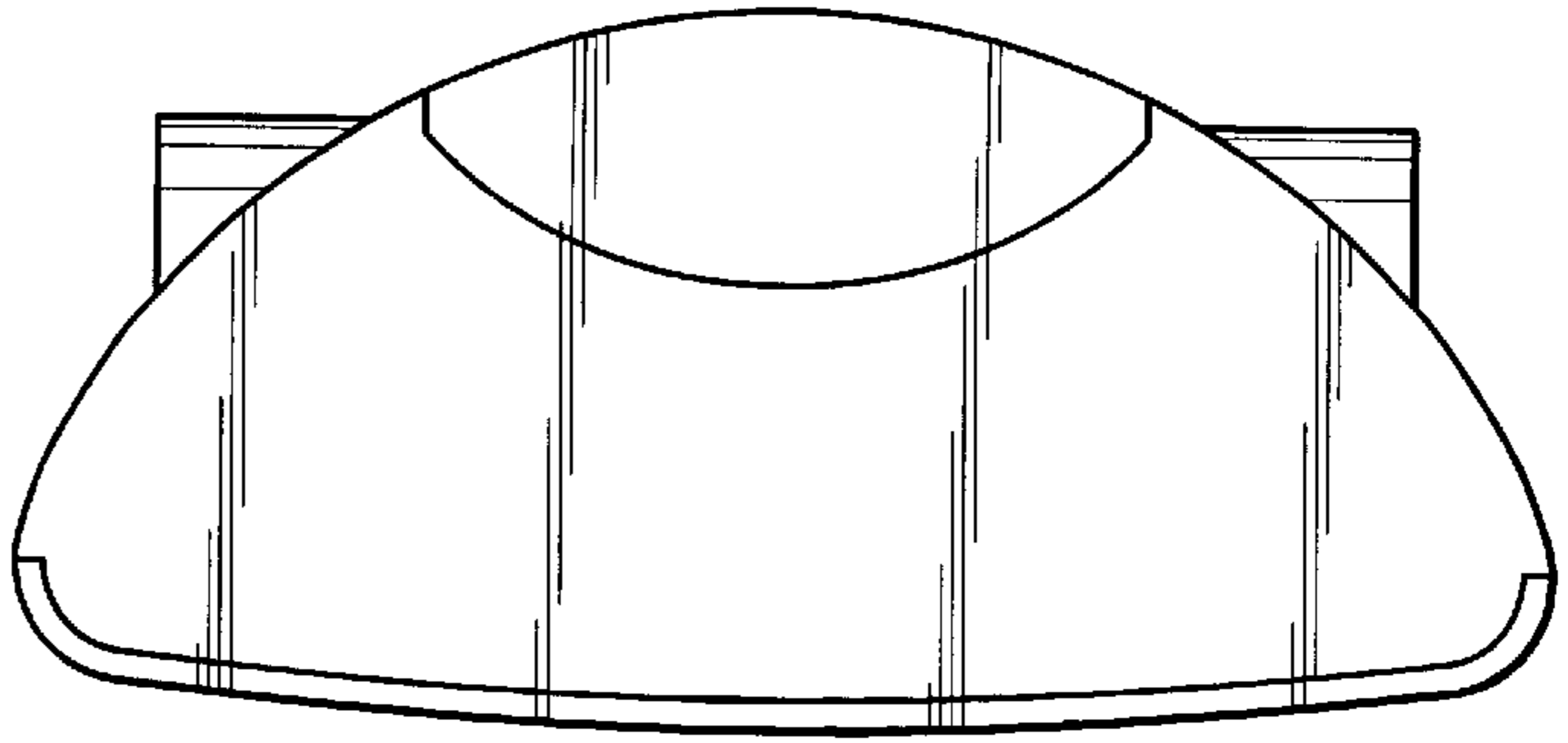


FIG. 3

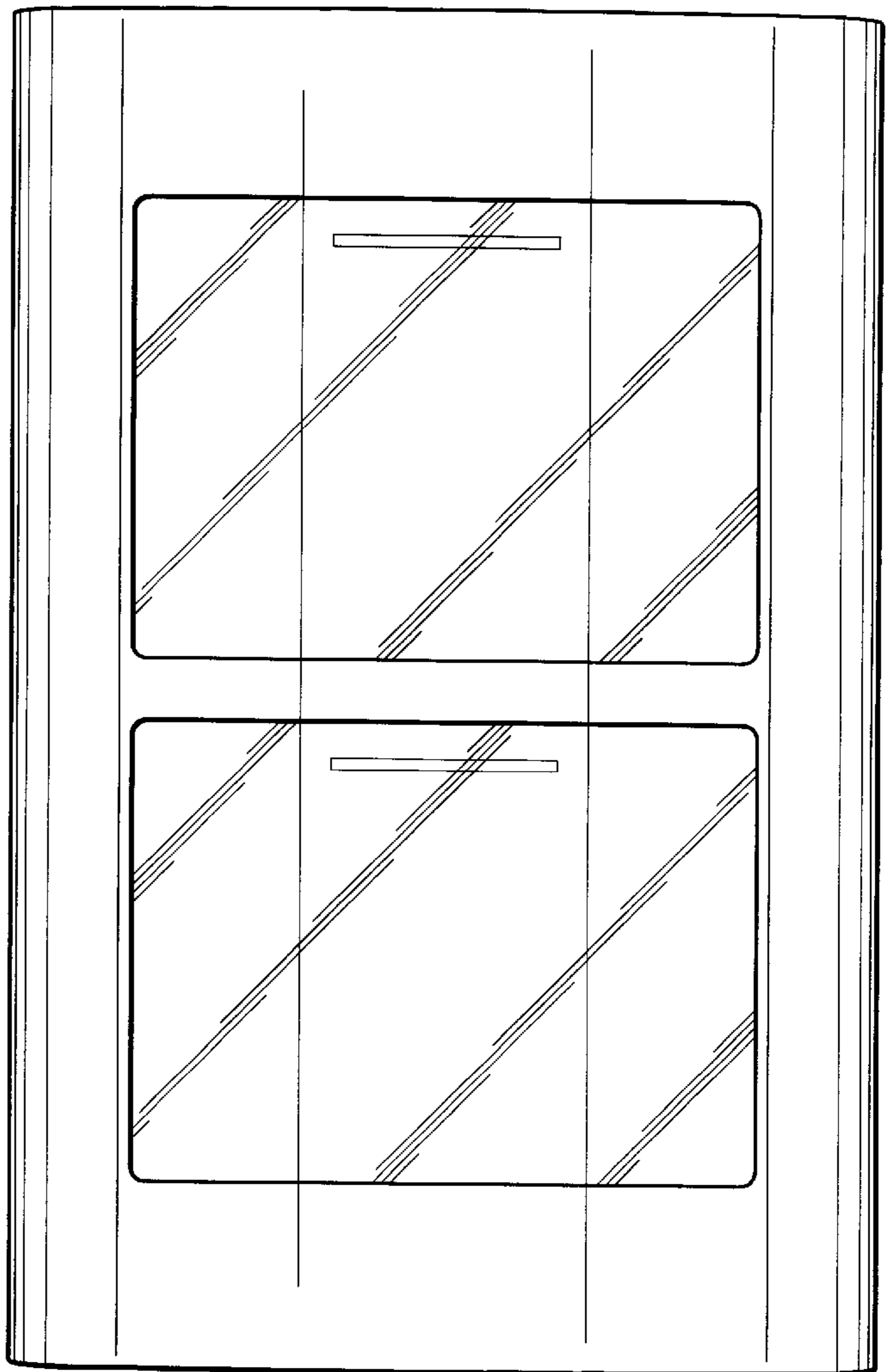


FIG. 2

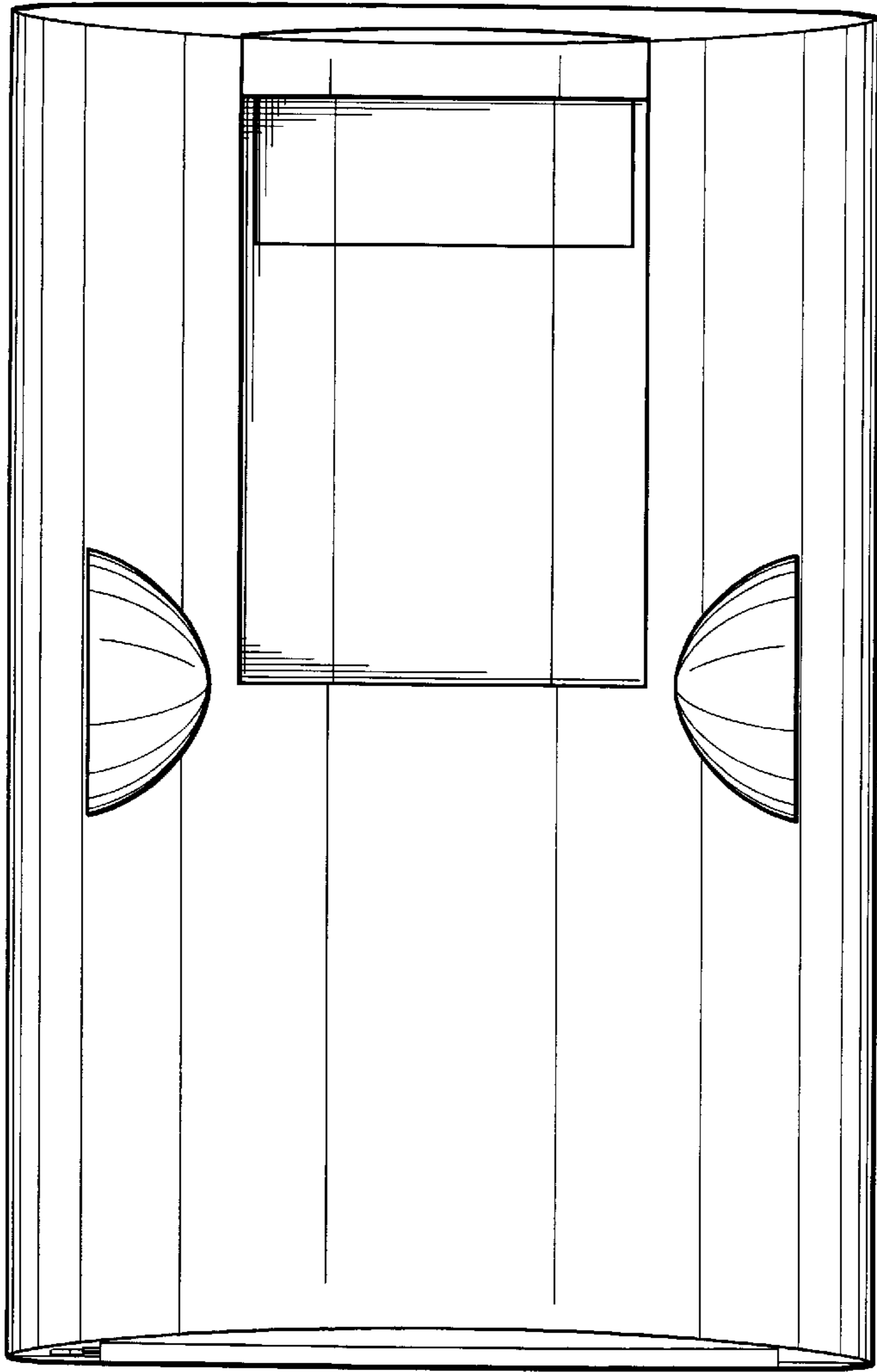


FIG. 6

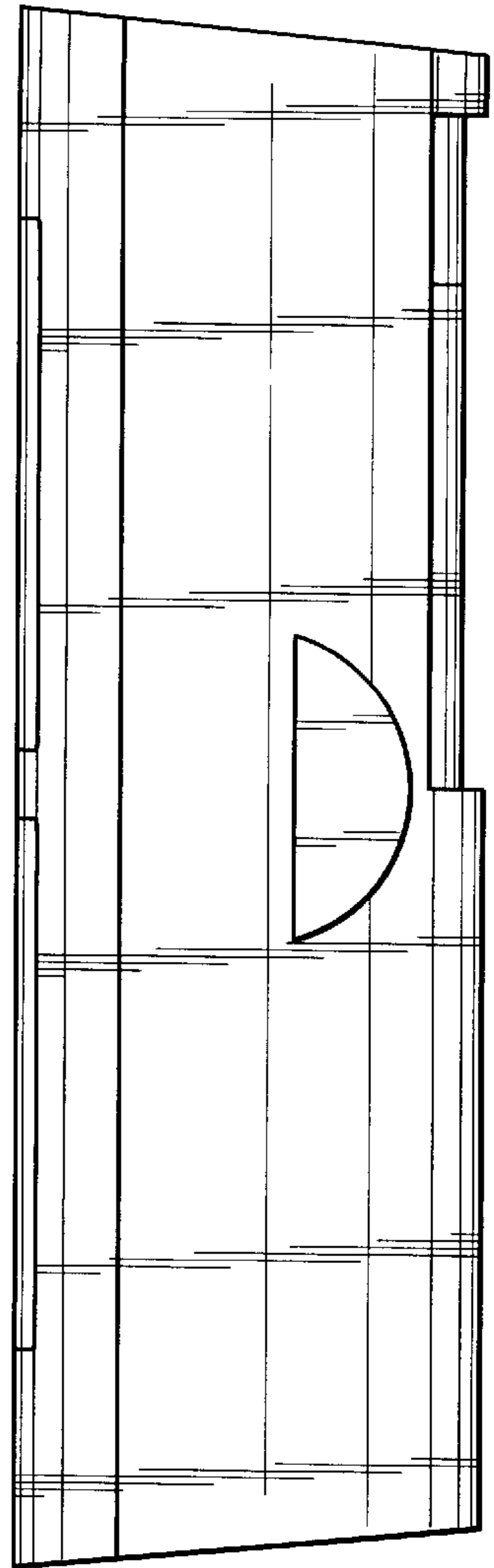


FIG. 5

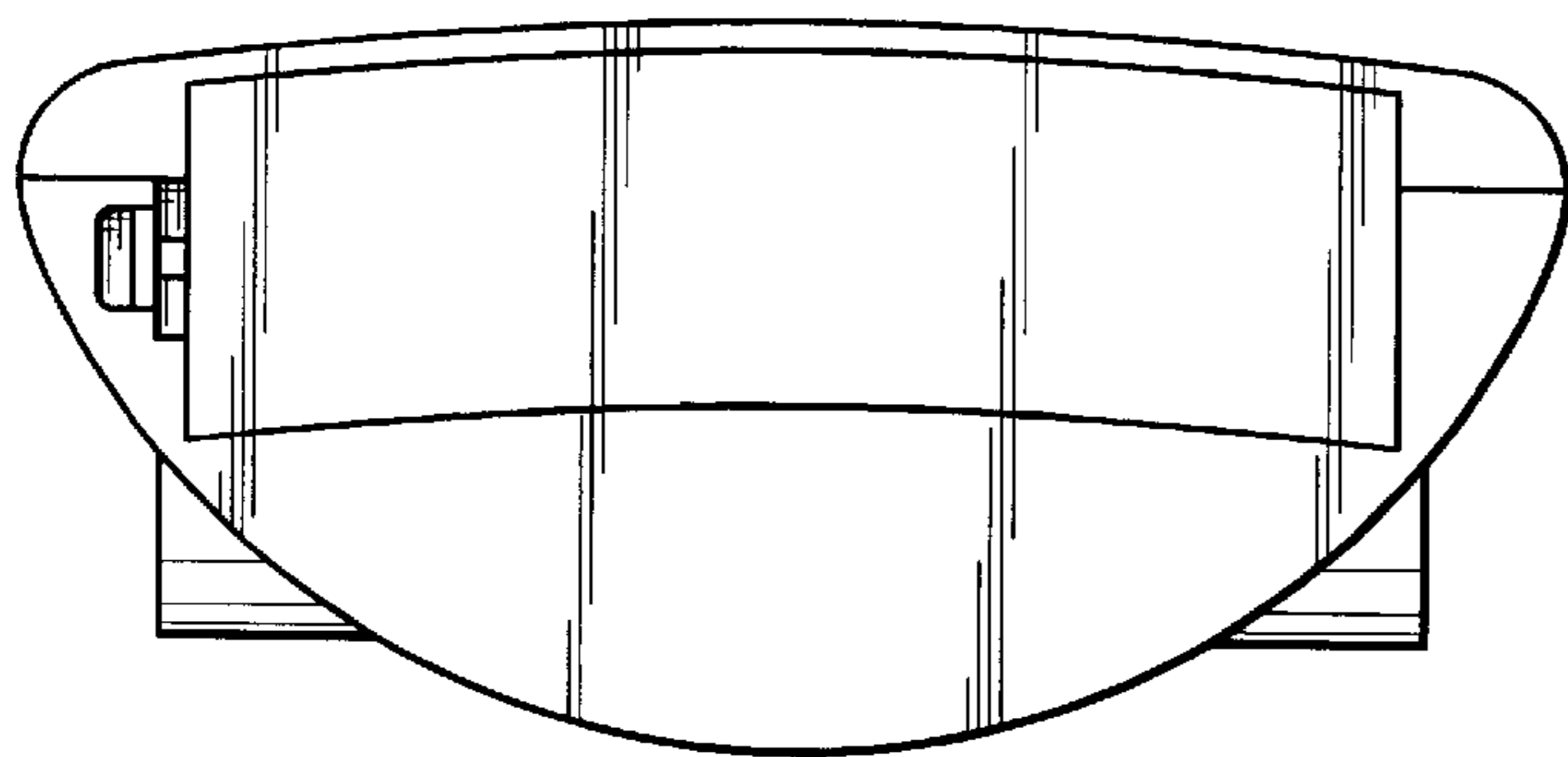


FIG. 7