



US00D457730S

(12) **United States Design Patent**
McCurrach

(10) **Patent No.:** **US D457,730 S**

(45) **Date of Patent:** **** May 28, 2002**

(54) **HAIR STYLER**

(75) Inventor: **Jamie Craig McCurrach**, Groningen (NL)

(73) Assignee: **U.S. Philips Corporation**, New York, NY (US)

(**) Term: **14 Years**

(21) Appl. No.: **29/146,618**

(22) Filed: **Aug. 13, 2001**

(30) **Foreign Application Priority Data**

Feb. 20, 2001 (XH) DMA/005 195

(51) **LOC (7) Cl.** **04-02**

(52) **U.S. Cl.** **D4/133; D4/136; D28/10; D28/13; D28/15**

(58) **Field of Search** D4/100, 102, 121, D4/132-134, 136, 138; D28/10, 13, 15, 18, 35; 15/143.1, 159.1, 160, 186-188; 34/90, 96-98; 132/118, 120, 212, 269, 271, 272, 313; 607/79; 219/222; 392/380, 383, 384

(56) **References Cited**

U.S. PATENT DOCUMENTS

D228,696 S * 10/1973 Bluestein D4/121
4,656,684 A * 4/1987 Jewett 15/187 X

4,936,027 A * 6/1990 Tsuji 34/90
5,673,710 A * 10/1997 Schaefer et al. 132/118
D418,249 S * 12/1999 Elkerbout D28/10
D432,792 S * 10/2000 Sivan D4/136
D439,701 S * 3/2001 Engelen D28/13

FOREIGN PATENT DOCUMENTS

JP 3-8 * 1/1991 219/222

OTHER PUBLICATIONS

Hong Kong Enterprise, vol. 10, Oct. 1997, Hair Care Products, p. 51.*

* cited by examiner

Primary Examiner—Alan P. Douglas

Assistant Examiner—Lavone Tabor

(74) *Attorney, Agent, or Firm*—Ernestine C. Bartlett

(57) **CLAIM**

The ornamental design for a hair styler, as shown.

DESCRIPTION

FIG. 1 is a perspective view showing my design;

FIG. 2 is a front elevational view thereof;

FIG. 3 is a rear elevational view thereof;

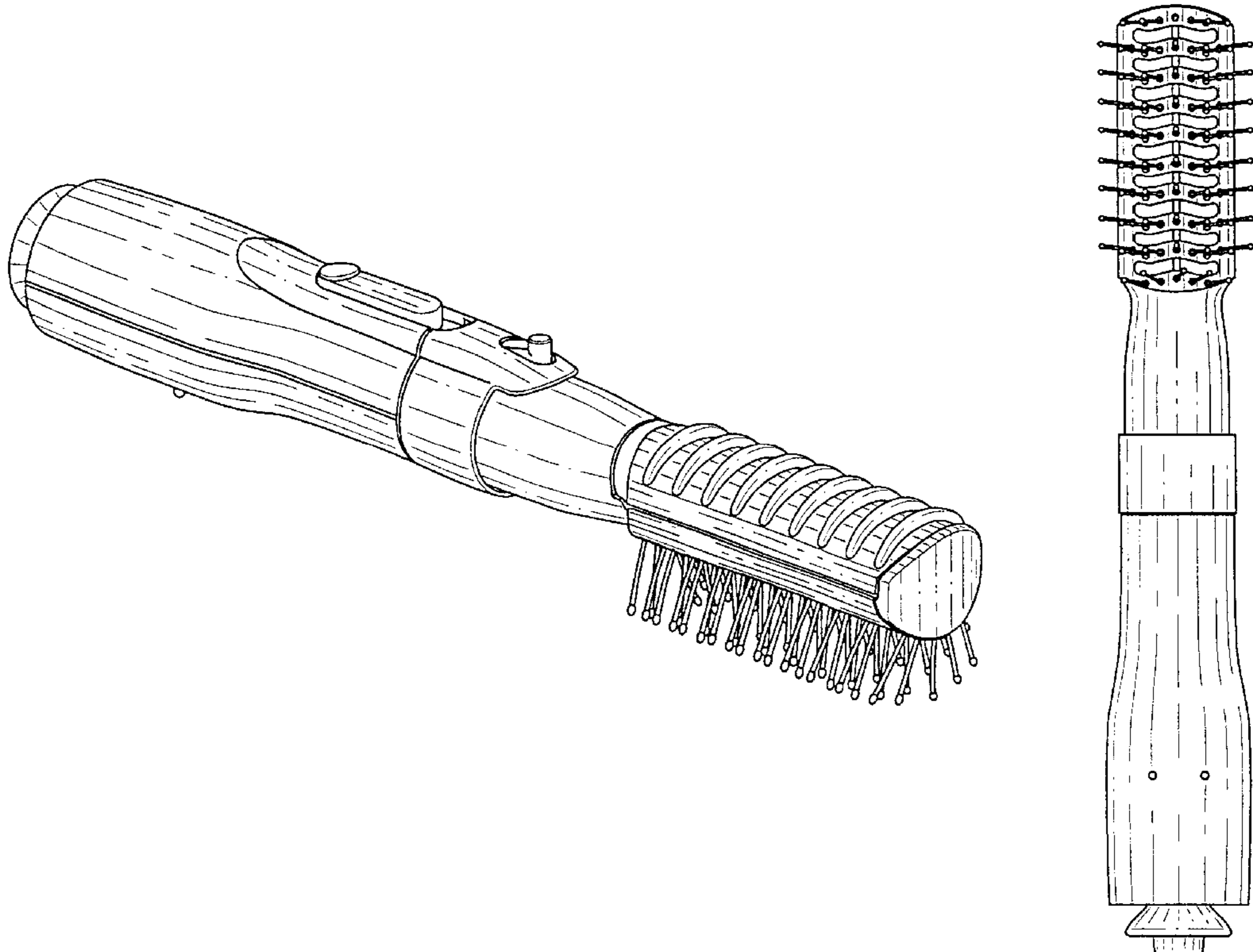
FIG. 4 is a right side elevational view thereof;

FIG. 5 is a left side elevational view thereof;

FIG. 6 is a top plan view thereof; and,

FIG. 7 is a bottom plan view thereof.

1 Claim, 3 Drawing Sheets



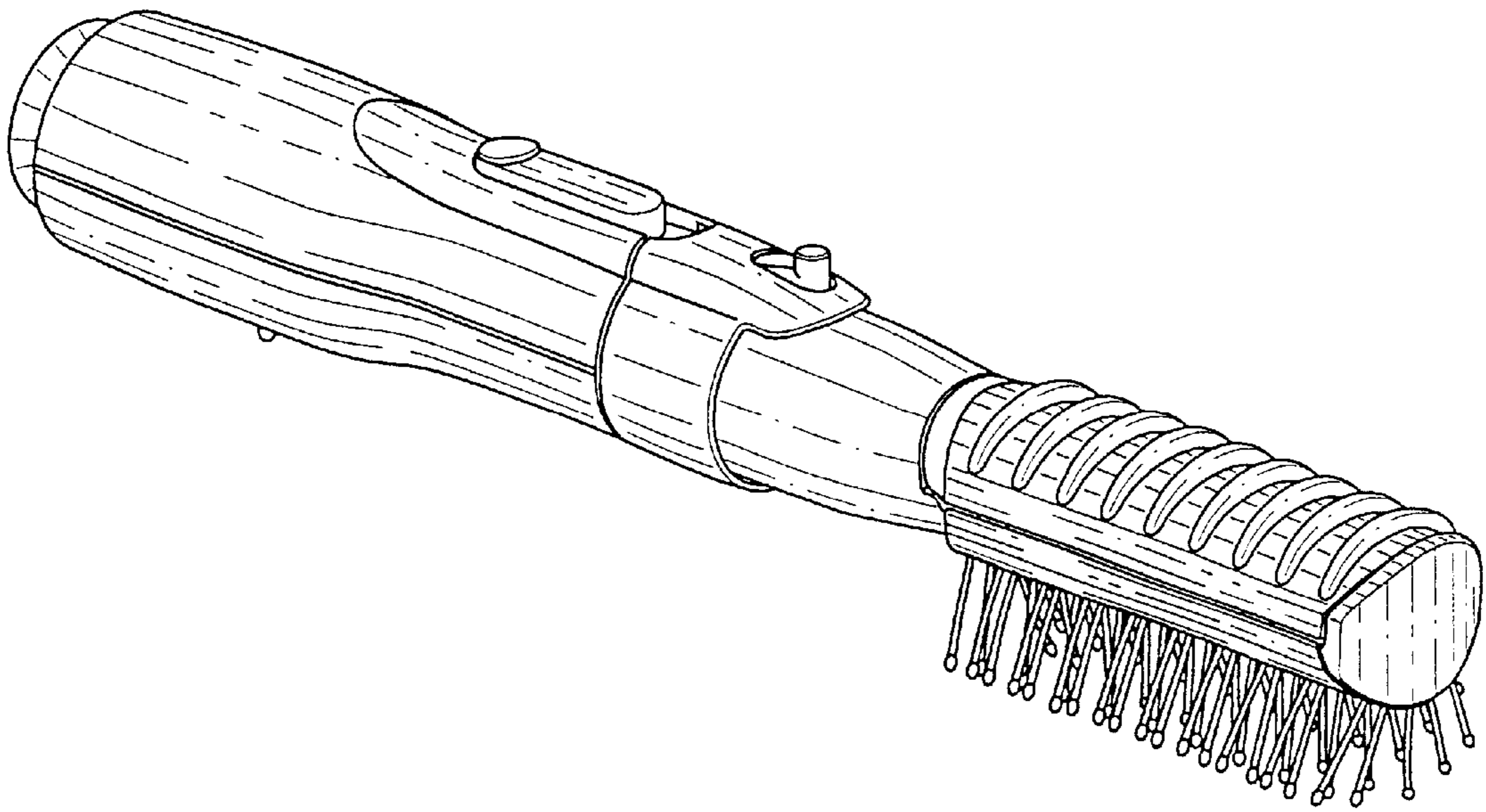


FIG. 1

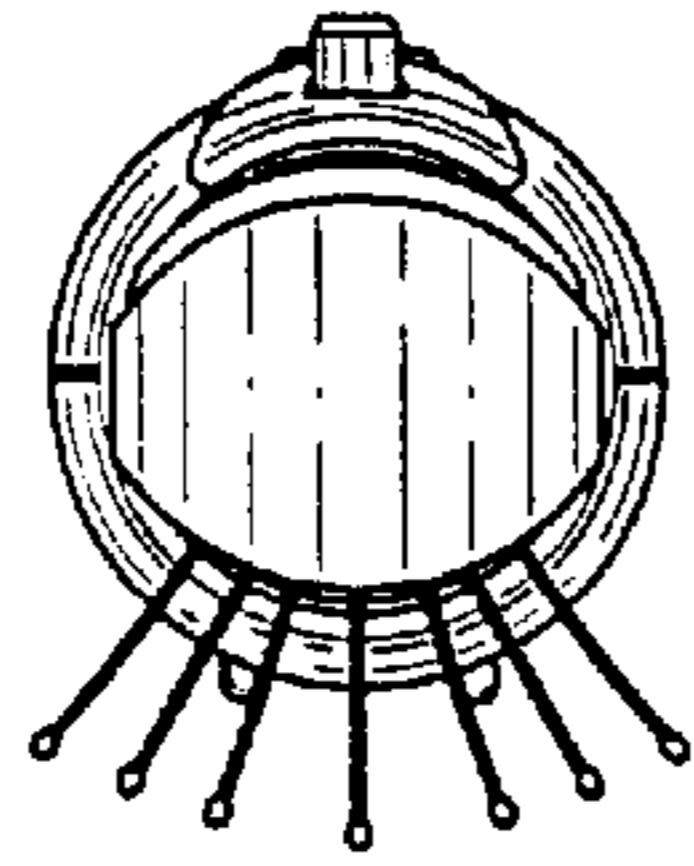


FIG. 2

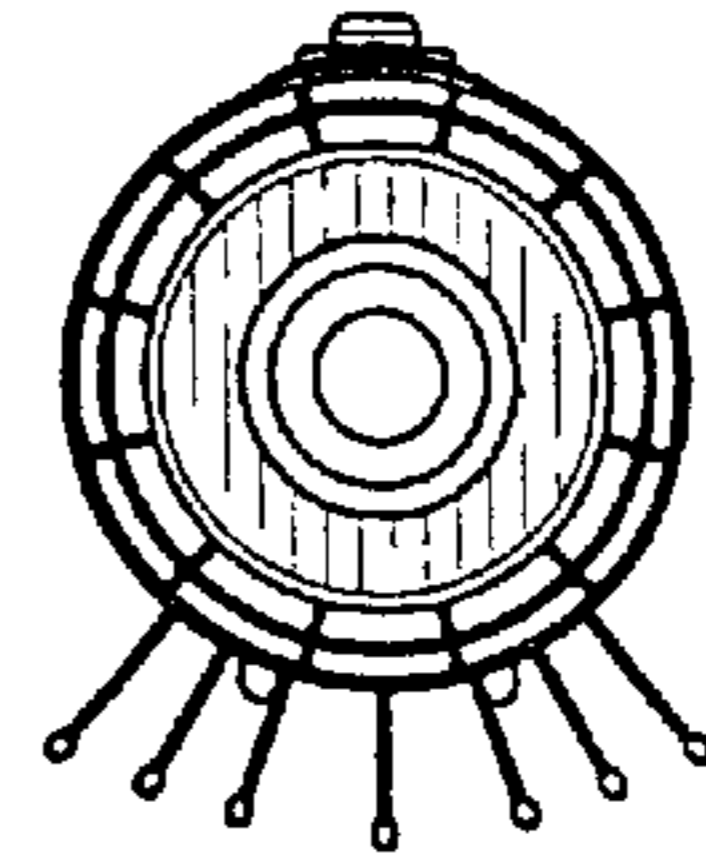


FIG. 3

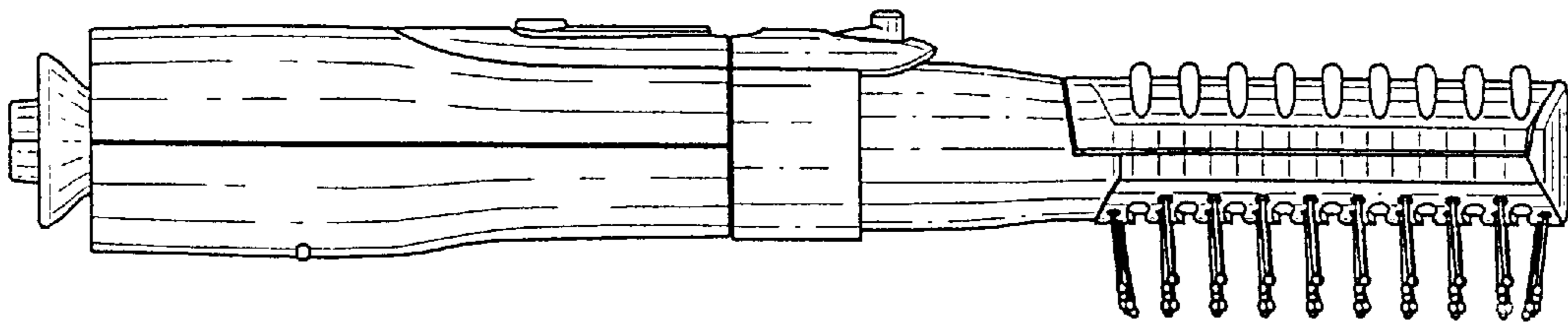


FIG. 4

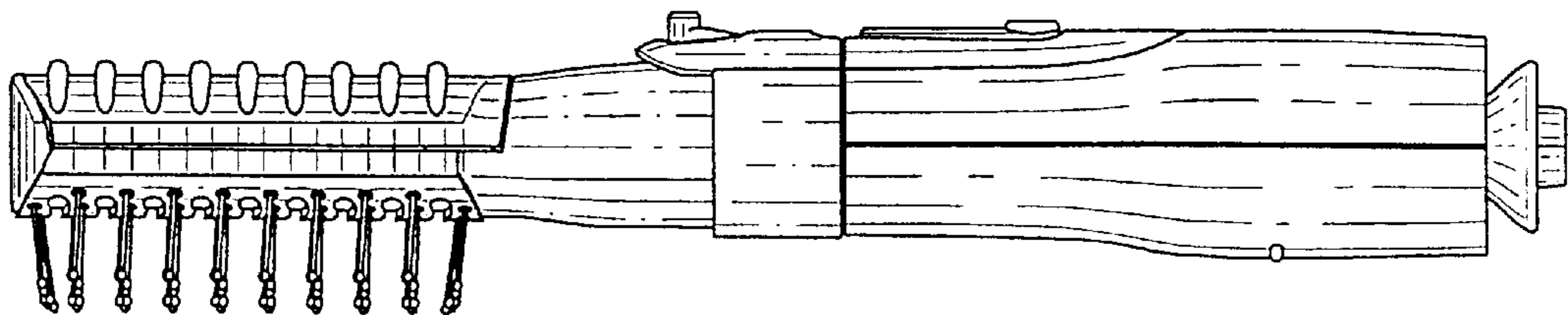


FIG. 5

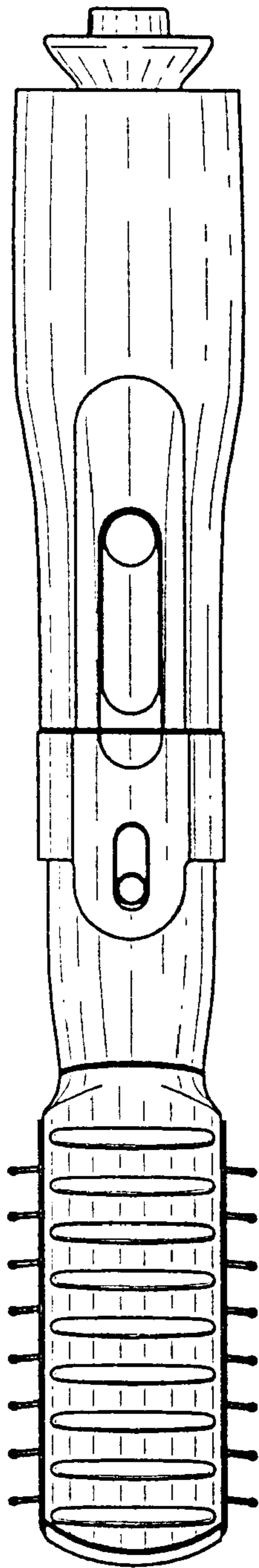


FIG. 6

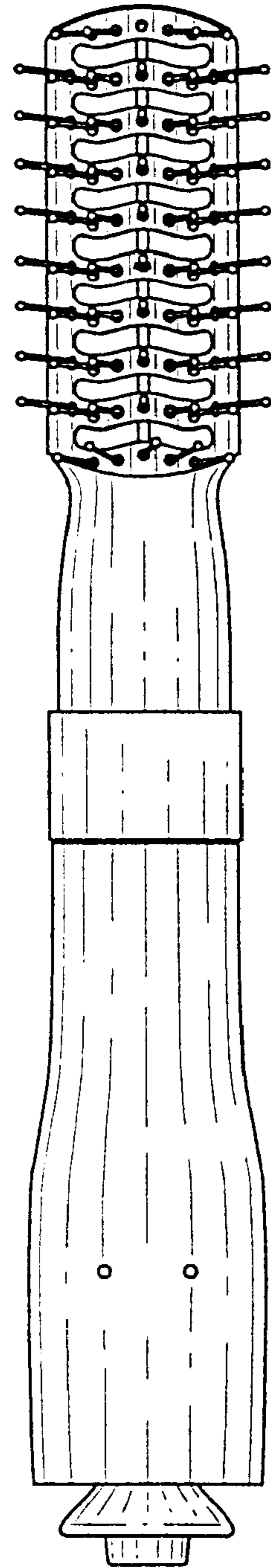


FIG. 7