



US00D457728S

(12) **United States Design Patent** (10) **Patent No.:** **US D457,728 S**
Blaustein et al. (45) **Date of Patent:** **** May 28, 2002**

(54) **HEAD PORTION OF AN ELECTRIC TOOTHBRUSH**

(75) Inventors: **Lawrence A. Blaustein; John Osher**, both of Moreland Hills; **John R. Nottingham**, Hunting Valley; **John W. Spirk**, Gates Mills, all of OH (US)

(73) Assignee: **The Procter & Gamble Company**, Cincinnati, OH (US)

(**) Term: **14 Years**

(21) Appl. No.: **29/152,878**

(22) Filed: **Jan. 4, 2002**

Related U.S. Application Data

(60) Division of application No. 29/150,251, filed on Nov. 15, 2001, which is a division of application No. 09/766,703, filed on Jan. 22, 2001, which is a continuation-in-part of application No. 09/236,794, filed on Jan. 25, 1999, now Pat. No. 6,189,693.

(51) **LOC (7) Cl.** **04-02**

(52) **U.S. Cl.** **D4/104**

(58) **Field of Search** D4/104-112, 132-134, D4/138; 15/143.1, 159.1, 160, 167.1, 186, 187; 132/308; 601/139, 141

(56) **References Cited**

U.S. PATENT DOCUMENTS

1,212,001 A	1/1917	Baxter
1,476,433 A	12/1923	Vandervoort
1,517,320 A	12/1924	Stoddart
1,557,244 A	10/1925	Domingue
1,947,324 A	2/1934	Zerbee
2,044,863 A	6/1936	Sticht
2,140,307 A	12/1938	Belaschk et al.
2,172,624 A	9/1939	Robert
2,196,667 A	4/1940	Moseley
2,215,031 A	9/1940	Elmore

(List continued on next page.)

FOREIGN PATENT DOCUMENTS

CA	1082408	7/1980
CA	1288555	9/1991
CA	2102130	11/1992

(List continued on next page.)

OTHER PUBLICATIONS

Christensen, *Elektromechanische Zahnbürste*, Patent Abstract of Germany, DE 9310480 (Oct. 21, 1993) (Abstract only).

Wallrath, *Electric Toothbrush*, Patent Abstract of Germany, DE 3406112 (Feb. 21, 1984) (Abstract only).

Bachrich, *Toothbrushes*, Patent Abstract of United Kingdom, 452,961 (Dec. 19, 1934) (Abstract only).

Sgan-Cohen et al., *One Month Evaluation of the Manually Rotating "Bio-Bright" Toothbrush for Clinical Safety and Efficacy*, Journal article, Department of Community Dentistry, Jerusalem, Israel, p. 120-123.

Bader, *Review of Currently Available Battery-Operated Toothbrushes*, Compend. Contin. Educ. Dent., vol. X111, No. 12, Dec. 1992, p. 1162, 1164-1169.

(List continued on next page.)

Primary Examiner—Lisa Lichtenstein

(74) *Attorney, Agent, or Firm*—SAIDMAN DesignLaw Group; Perry J. Saidman; James C. Vago

(57) **CLAIM**

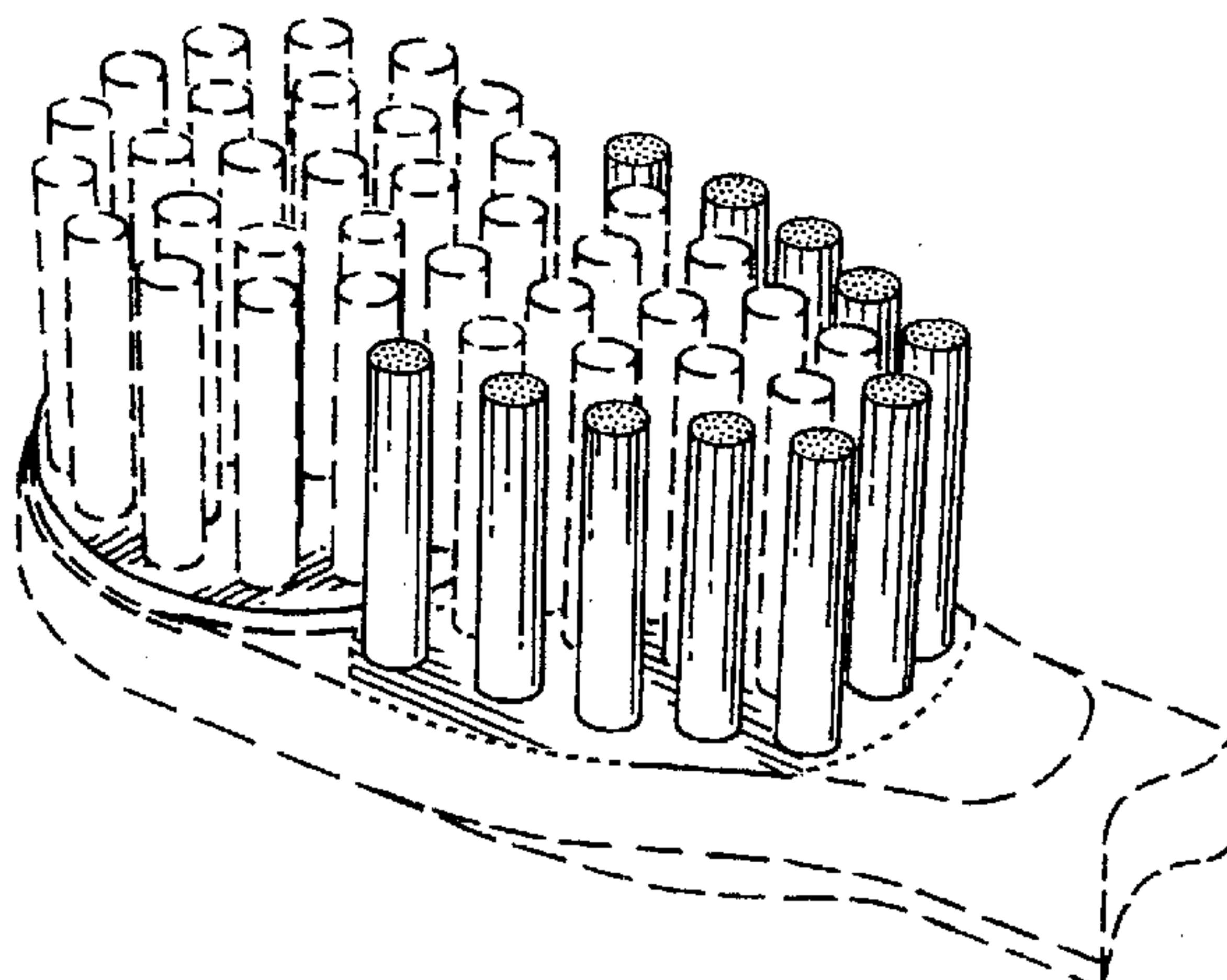
The ornamental design for a head portion of an electric toothbrush, as shown and described.

DESCRIPTION

FIG. 1 is an enlarged, perspective view of a head portion of an electric toothbrush showing our new design; and, FIG. 2 is a top view thereof.

The dashed lines shown in the figures represent environmental subject matter and form no part of the claimed design. The dotted lines shown in the figures represent the border between claimed subject matter and unclaimed subject matter and form no part of the claimed design.

1 Claim, 1 Drawing Sheet



US D457,728 S

U.S. PATENT DOCUMENTS

2,558,332	A	6/1951	Artale	
2,682,066	A	6/1954	Keely	
3,103,679	A	9/1963	Clemens	
3,115,652	A	12/1963	Zerbee	
3,142,852	A	8/1964	Phaneuf et al.	
3,178,754	A	4/1965	Cleverdon	
3,242,516	A	3/1966	Cantor	
3,400,417	A	9/1968	Moret	
3,535,726	A	10/1970	Sawyer	
3,588,936	A	6/1971	Duve	
D228,983	S	11/1973	Drachten	
3,775,800	A	12/1973	Veneziani	
D237,659	S	11/1975	Meyer et al.	
3,978,852	A	9/1976	Annoni	
4,156,620	A	5/1979	Clemens	
4,203,431	A	5/1980	Abura et al.	
4,827,550	A	5/1989	Graham et al.	
4,845,795	A	7/1989	Crawford et al.	
4,989,287	A	2/1991	Scherer	
5,020,179	A	6/1991	Scherer	
5,033,150	A	7/1991	Gross et al.	
D321,285	S	* 11/1991	Hirabayashi	D4/101
5,070,567	A	* 12/1991	Holland	15/28
5,077,855	A	1/1992	Ambasz	
5,088,145	A	2/1992	Whitefield	
5,120,225	A	6/1992	Amit	
5,142,723	A	9/1992	Lustig et al.	
D329,946	S	10/1992	Curtis et al.	
D330,286	S	10/1992	Curtis et al.	
5,170,525	A	12/1992	Cafaro	
5,177,826	A	1/1993	Vrignaud et al.	
5,186,627	A	* 2/1993	Amit et al.	15/22.1 X
5,226,206	A	7/1993	Davidovitz et al.	
5,253,382	A	10/1993	Beny	
5,274,870	A	1/1994	Stollman	
5,276,932	A	* 1/1994	Byrd	15/28
5,289,604	A	3/1994	Kressner	
5,353,460	A	10/1994	Bauman	
D352,829	S	11/1994	Perry	
5,378,153	A	1/1995	Giuliani et al.	
5,381,576	A	1/1995	Hwang	
5,383,242	A	1/1995	Bigler et al.	
5,392,483	A	2/1995	Heinzelman et al.	
5,396,678	A	3/1995	Bredall et al.	
5,404,608	A	4/1995	Hommann	
D358,486	S	5/1995	Loew	
5,416,942	A	5/1995	Baldacci et al.	
5,421,726	A	6/1995	Okada	
5,435,034	A	7/1995	Bigler et al.	
5,442,827	A	8/1995	Hommann	
5,465,444	A	11/1995	Bigler et al.	
5,467,495	A	11/1995	Boland et al.	
D364,740	S	12/1995	Loew	
5,494,252	A	2/1996	Amit et al.	
5,504,958	A	4/1996	Herzog	
5,504,959	A	* 4/1996	Yukawa et al.	15/22.1
5,504,960	A	4/1996	Hommann	
5,504,961	A	4/1996	Yang	
D370,347	S	6/1996	Heinzelman et al.	
5,524,312	A	* 6/1996	Tan et al.	15/22.1
D372,584	S	8/1996	Yost et al.	
5,613,259	A	3/1997	Craft et al.	
5,617,601	A	4/1997	McDougall	
5,617,603	A	4/1997	Mei	
5,625,916	A	5/1997	McDougall	
5,652,990	A	8/1997	Driesen et al.	
D391,083	S	2/1998	Nicoll	
5,727,273	A	3/1998	Pai	
5,732,433	A	3/1998	Göcking et al.	
5,784,743	A	7/1998	Shek	

D397,251	S	8/1998	Eguchi et al.	
D397,252	S	8/1998	Allende	
D400,713	S	11/1998	Solanki	
5,836,030	A	11/1998	Hazeu et al.	
5,839,148	A	11/1998	Volpenhein	
D402,112	S	12/1998	Moskovich	
5,842,244	A	12/1998	Hilfingier et al.	
5,842,245	A	12/1998	Pai	
5,842,249	A	12/1998	Sato	
5,850,655	A	12/1998	Göcking et al.	
D403,510	S	1/1999	Menke et al.	
5,862,558	A	1/1999	Hilfingier et al.	
5,862,559	A	1/1999	Hunter	
5,867,856	A	2/1999	Herzog	
D406,464	S	3/1999	Yost et al.	
5,901,397	A	5/1999	Häfele et al.	
D411,769	S	* 7/1999	Wright	D4/101
D414,607	S	10/1999	Trojanowski et al.	
D414,608	S	10/1999	Trojanowski et al.	
5,974,613	A	11/1999	Herzog	
5,987,681	A	11/1999	Hahn et al.	
5,996,157	A	12/1999	Smith et al.	
6,000,083	A	12/1999	Blaustein et al.	
6,021,538	A	2/2000	Kressner et al.	
D422,143	S	4/2000	Beals et al.	
D422,144	S	4/2000	Harada	
6,058,541	A	5/2000	Masterman et al.	
6,094,769	A	8/2000	Driesen et al.	
D430,730	S	9/2000	Klein	
D432,312	S	10/2000	Blaustein et al.	
6,138,310	A	10/2000	Porper et al.	
D433,814	S	11/2000	Blaustein et al.	
6,141,819	A	11/2000	Driesen et al.	
D434,563	S	12/2000	Lim et al.	
D434,565	S	12/2000	Bojar	
D434,906	S	12/2000	Beals et al.	
6,178,582	B1	1/2001	Halm	
D437,688	S	2/2001	Beals et al.	
6,189,693	B1	2/2001	Blaustein et al.	
D440,048	S	4/2001	Beals et al.	
6,237,178	B1	5/2001	Krammer et al.	
D443,985	S	6/2001	Beals et al.	
D444,629	S	7/2001	Etter et al.	
D446,941	S	8/2001	Kraemer	
D448,171	S	9/2001	Harris et al.	

FOREIGN PATENT DOCUMENTS

CA	1330383	6/1994
CA	2133879	9/1995
CA	2221796	11/1996
CA	81887	9/1997
CA	81888	9/1997
CA	84252	7/1998
CA	86705	5/1999
CA	88711	1/2000
CA	2282957	3/2000
CA	89738	6/2000
CA	89739	6/2000
CN	2223981	Y 4/1996
CN	2324987	Y 6/1999
CN	2393503	Y 8/2000
DE	2736286	12/1978
DE	4139788	6/1993
DE	4243220	6/1994
DE	4243221	6/1994
DE	29600236	4/1996
DE	29613608	11/1996
DE	29618755	3/1997
DE	19701964	7/1998
DE	29821121	4/1999
DE	29821331	4/1999

US D457,728 S

Page 3

EP	0208401	1/1987	KR	811646	10/1981
EP	0254397	1/1988	KR	1983-002315	11/1983
EP	0374152	6/1990	TW	137856	7/1990
EP	0520985	1/1993	TW	239963	2/1995
EP	0537465	4/1993	TW	239964	2/1995
EP	0546203	6/1993	TW	253174	8/1995
EP	0582670	2/1994	TW	330411	4/1998
EP	0585738	3/1994	WO	9309729	5/1993
EP	0628291	12/1994	WO	9403125	2/1994
EP	0641181	3/1995	WO	9405230	3/1994
EP	0990424	4/2000	WO	9531123	11/1995
EP	1053721	11/2000	WO	9701307	1/1997
FR	2368854	5/1978	WO	9800049	1/1998
FR	2769187	4/1991	WO	9826729	6/1998
GB	369600	3/1932	WO	9846103	10/1998
GB	2228861	9/1990	WO	9907251	2/1999
GB	2237505	5/1991	WO	9965359	12/1999
GB	2290224	12/1995			
GB	2319170	5/1998			
JP	6245820	9/1994			

* cited by examiner

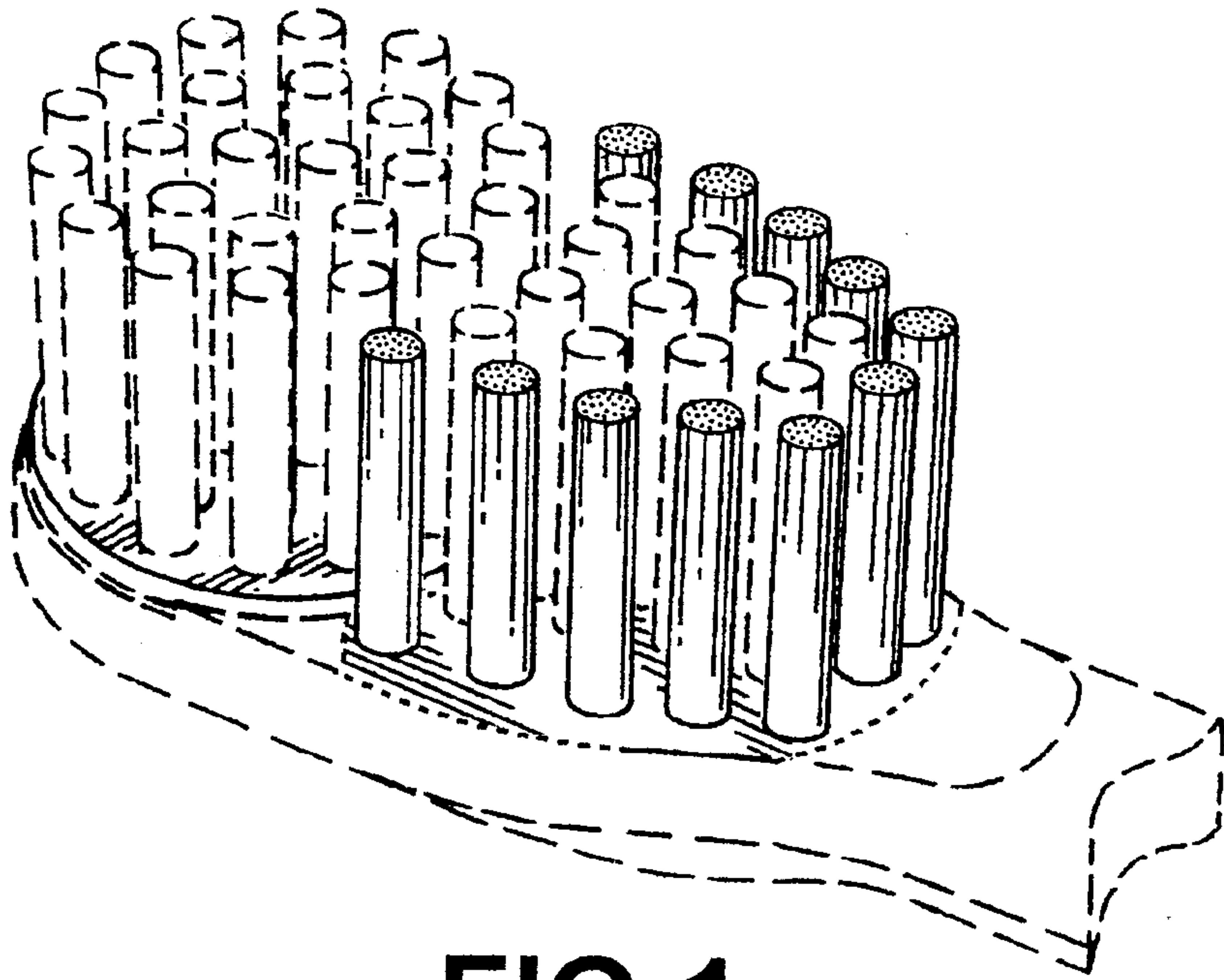


FIG. 1

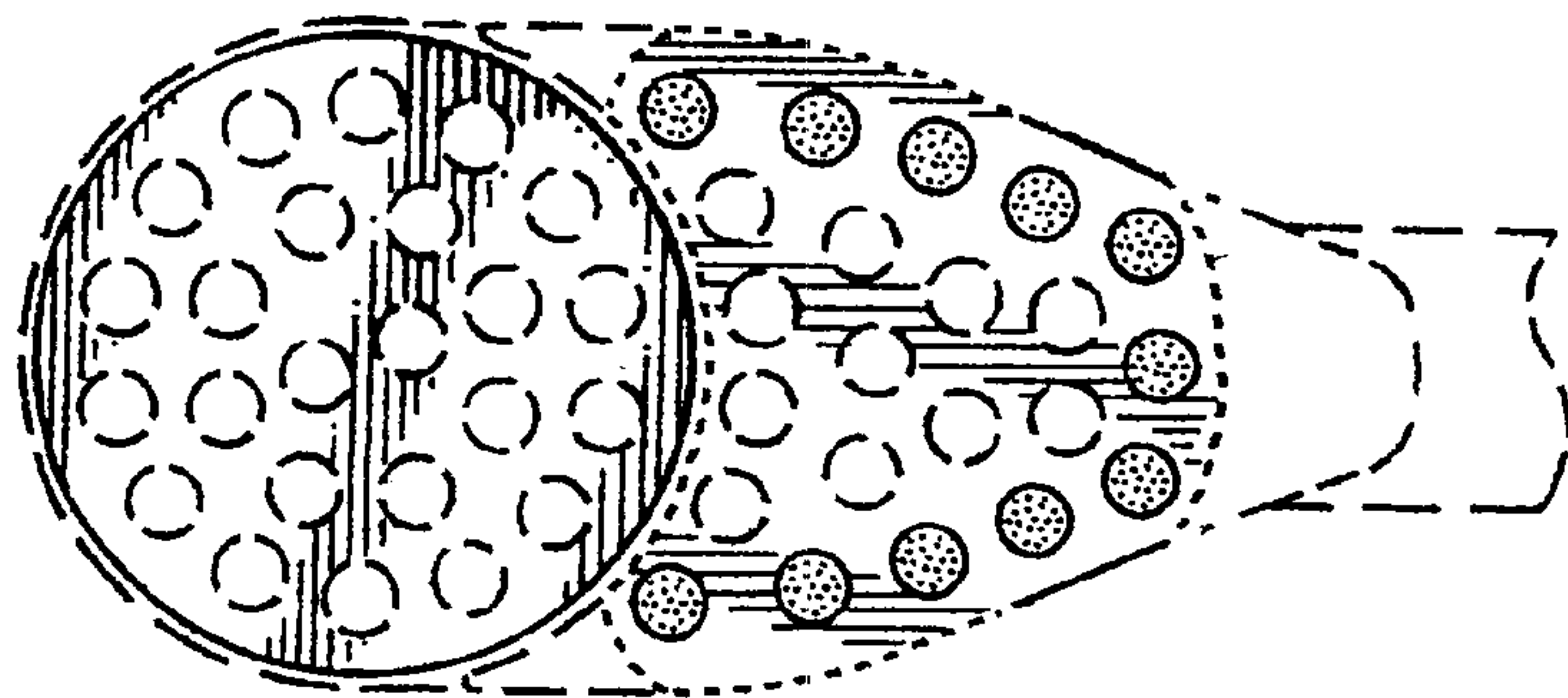


FIG. 2