



US00D457704S

(12) **United States Design Patent** (10) **Patent No.:** **US D457,704 S**
Fiscus et al. (45) **Date of Patent:** **** May 21, 2002**

(54) **WORKBENCH AND STORAGE CABINET**

(75) Inventors: **Jon Fiscus; Shelley Nehrt**, both of Barrington; **Dave Story**, Bartlett, all of IL (US)

(73) Assignee: **Stack-On Products Co.**, Wauconda, IL (US)

(**) Term: **14 Years**

(21) Appl. No.: **29/144,916**

(22) Filed: **Jul. 11, 2001**

Related U.S. Application Data

(62) Division of application No. 29/108,100, filed on Jul. 20, 1999.

(51) **LOC (7) Cl.** **12-02**

(52) **U.S. Cl.** **D34/20; D34/19**

(58) **Field of Search** D34/12-27; 280/79.11, 280/79.2, 79.3, 47.35; D6/440, 445, 446, 448; 312/250, 214, 350, 291, 281, 308, 249.12, 249.8, 287.1

(56) **References Cited**

U.S. PATENT DOCUMENTS

2,966,385 A	12/1960	Murphy	
3,841,728 A	10/1974	Peterson et al.	
D274,961 S	8/1984	Noonchester	
4,483,573 A	11/1984	Keller	
4,681,381 A	7/1987	Sevey	
D302,064 S	* 7/1989	Delmerico	D34/20
4,861,123 A	8/1989	Russell	
D306,664 S	3/1990	Pouch	
D323,915 S	* 2/1992	Welch	D34/21
5,382,087 A	1/1995	Pouch	
5,435,640 A	7/1995	Holcomb	

D361,910 S	9/1995	Maple et al.	
D377,126 S	1/1997	Foco et al.	
D381,166 S	* 7/1997	Bonazza	D34/20
5,975,660 A	11/1999	Tisbo et al.	
D419,230 S	* 1/2000	Ciccone	D23/333
D422,807 S	4/2000	Tisbo et al.	
D425,279 S	* 5/2000	Houry et al.	D34/20
D427,807 S	* 7/2000	Holcomb	D6/445
D449,181 S	* 10/2001	Story et al.	D6/446

OTHER PUBLICATIONS

Stack-On Catalog 25 Years Catalog, available at least as early as Nov. 1998.

Contico Catalog, available at least as early as Nov. 1998. Stack-On Master Series Catalog, available at least as early as Nov. 1998.

Stack-On Tool & Parts Storage Catalog, available at least as early as Nov. 1998.

* cited by examiner

Primary Examiner—Kay H. Chin

(74) *Attorney, Agent, or Firm*—Patzik, Frank & Samotny Ltd.

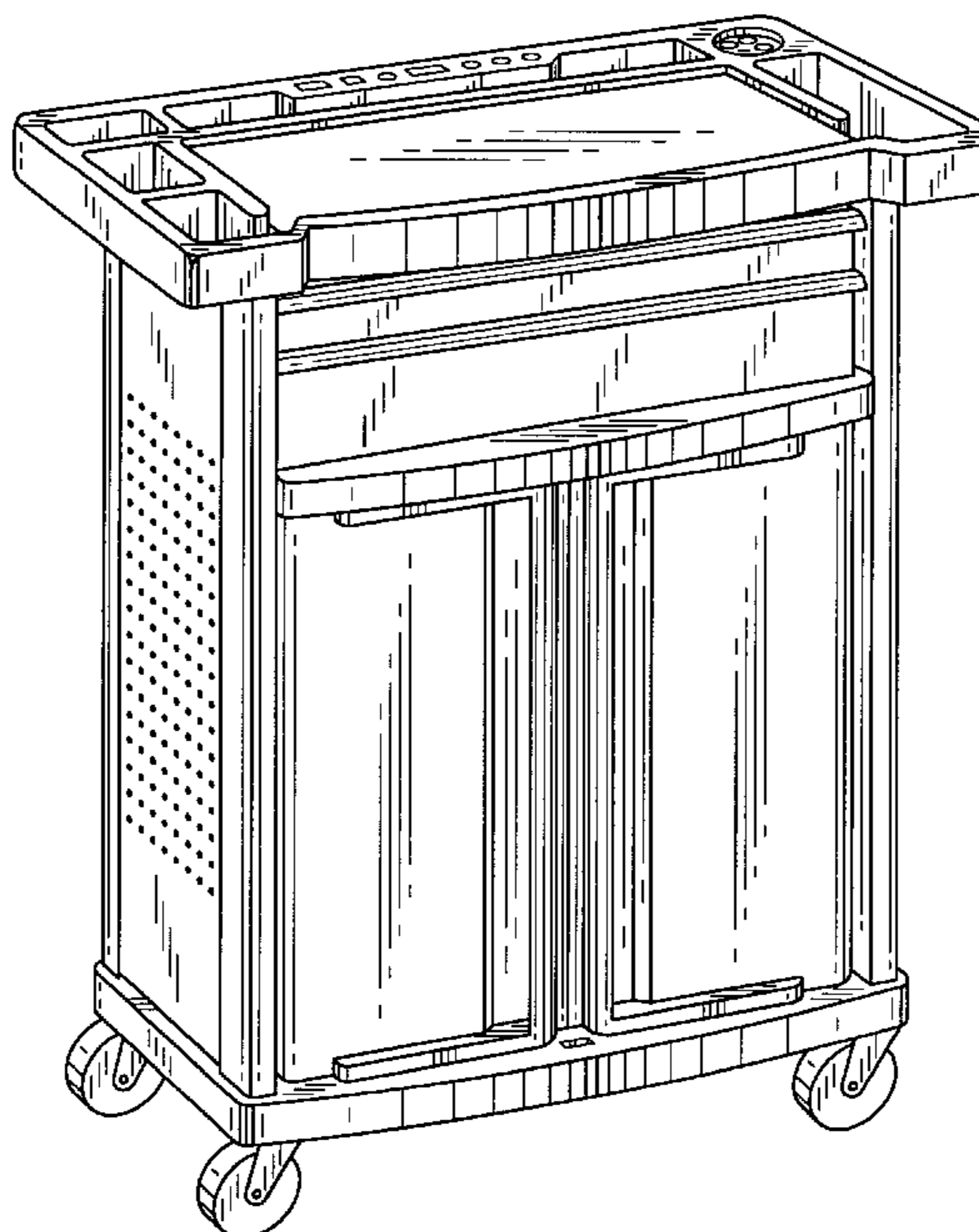
(57) **CLAIM**

The ornamental design for a workbench and storage cabinet, as shown and described.

DESCRIPTION

FIG. 1 is a front perspective view of a workbench and storage cabinet showing the new ornamental design thereof; FIG. 2 is a right side elevational plan view, the left side elevational plan view being identical thereto; FIG. 3 is a top plan view thereof; FIG. 4 is a bottom plan view thereof; FIG. 5 is a front elevational plan view thereof; and, FIG. 6 is a rear elevational plan view thereof.

1 Claim, 2 Drawing Sheets



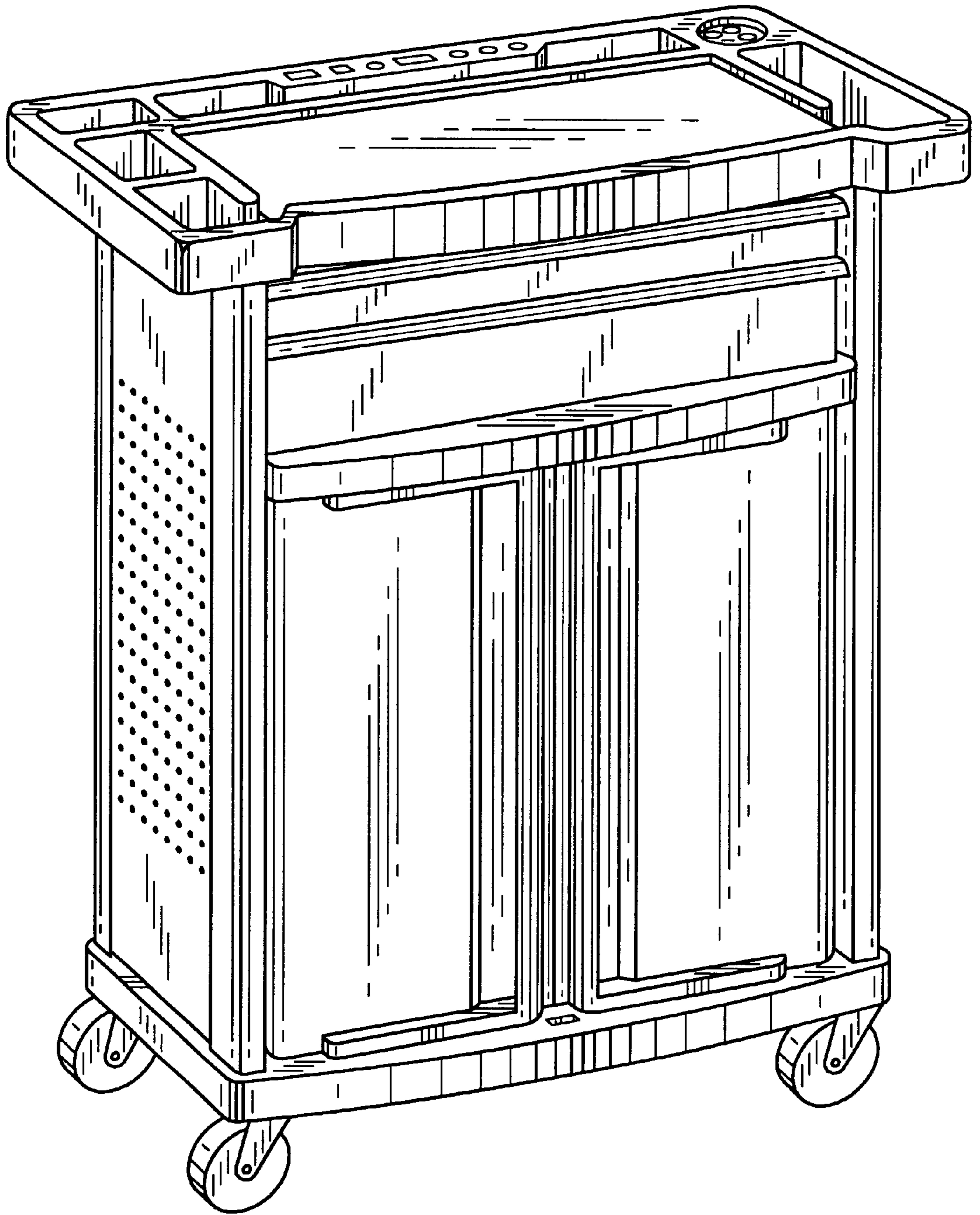


FIG. 1

FIG. 2

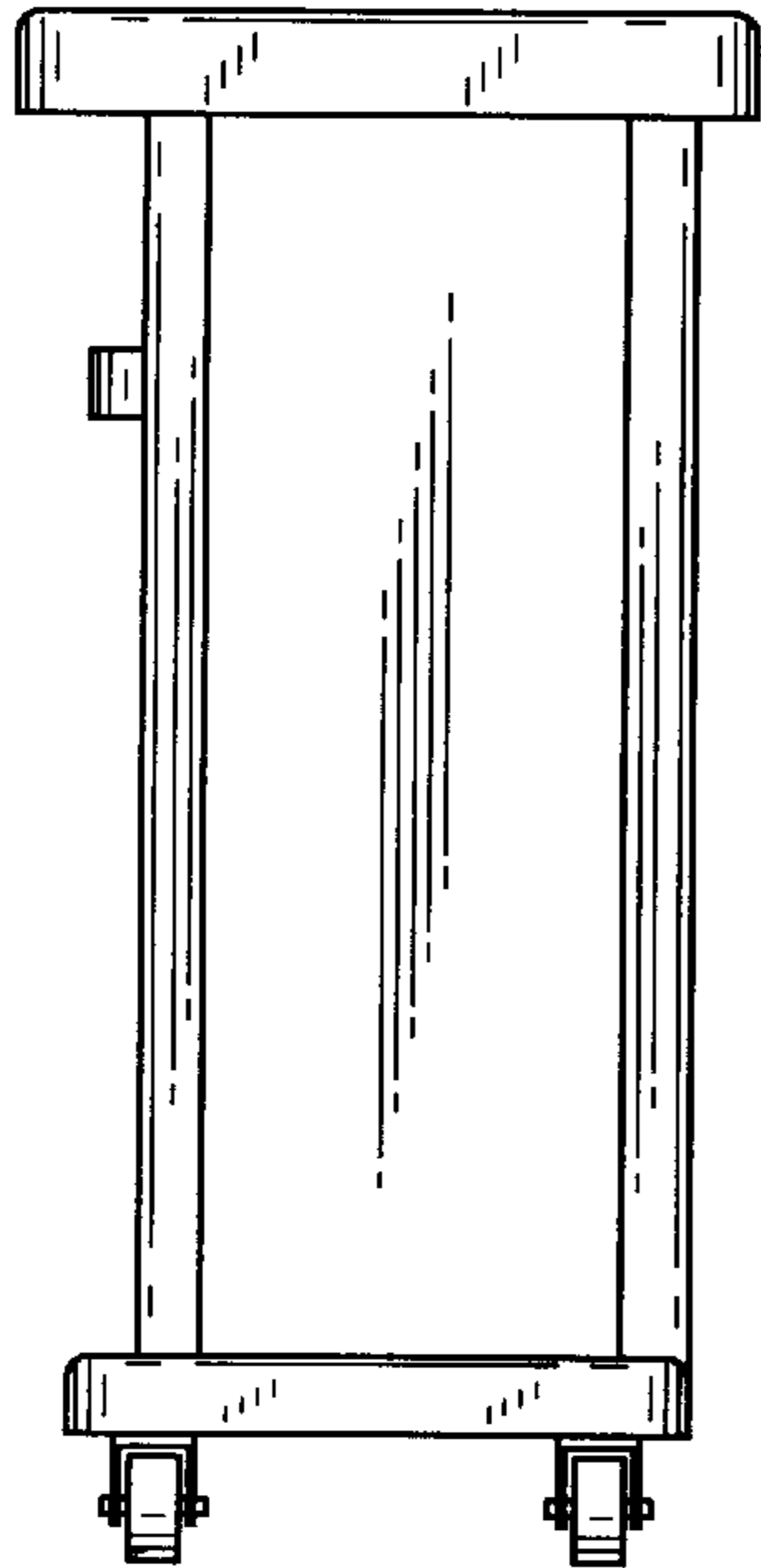


FIG. 3

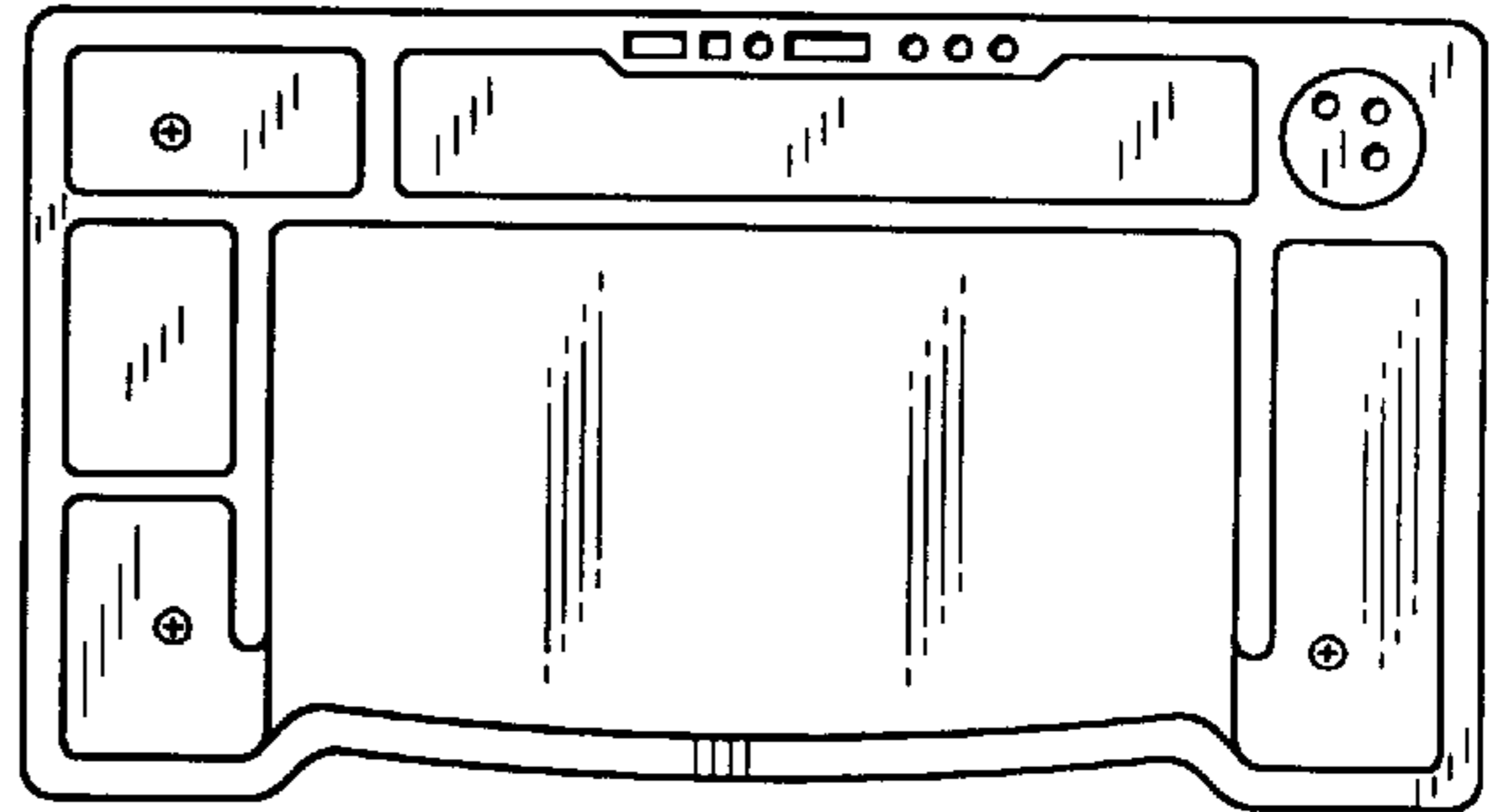


FIG. 4

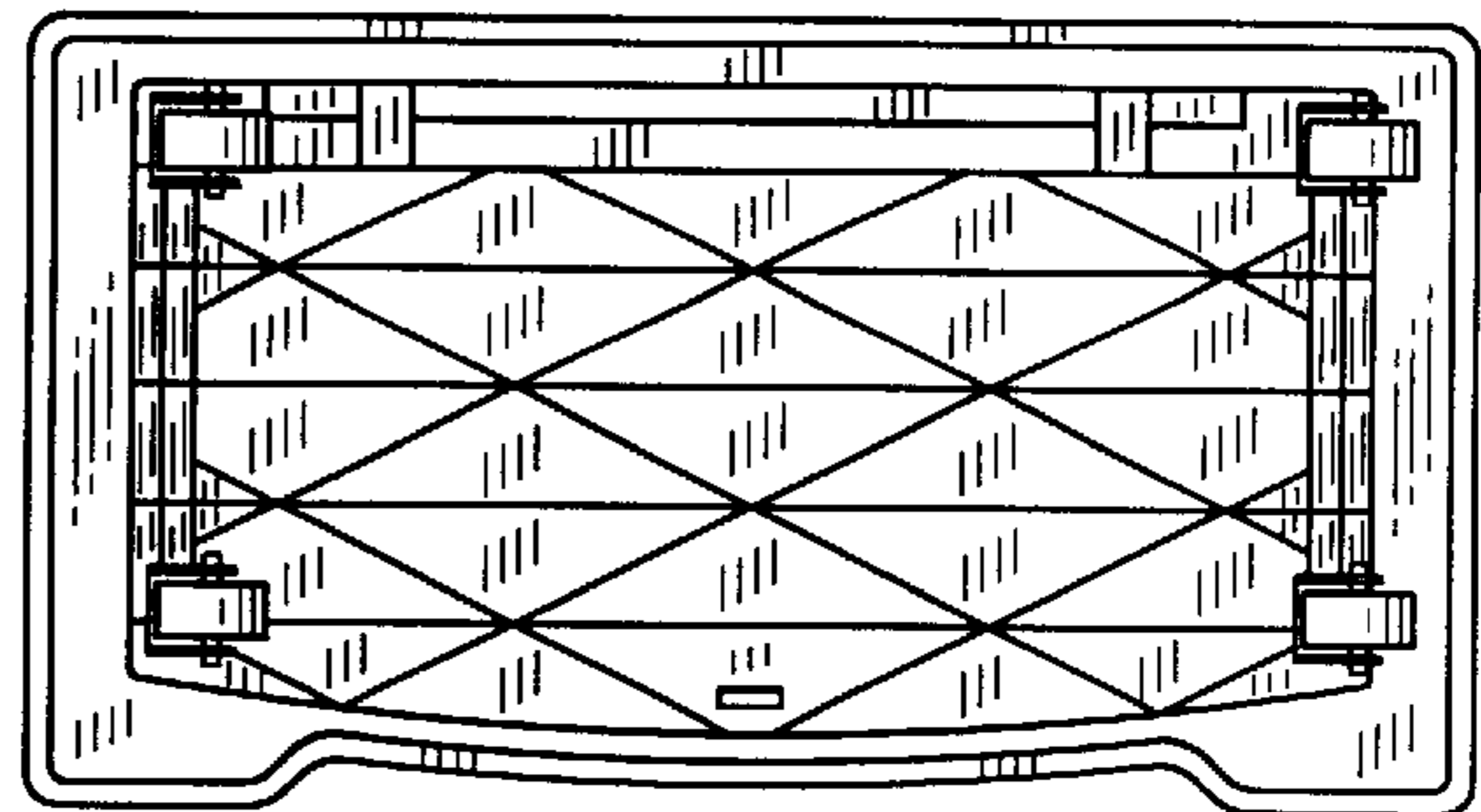


FIG. 5

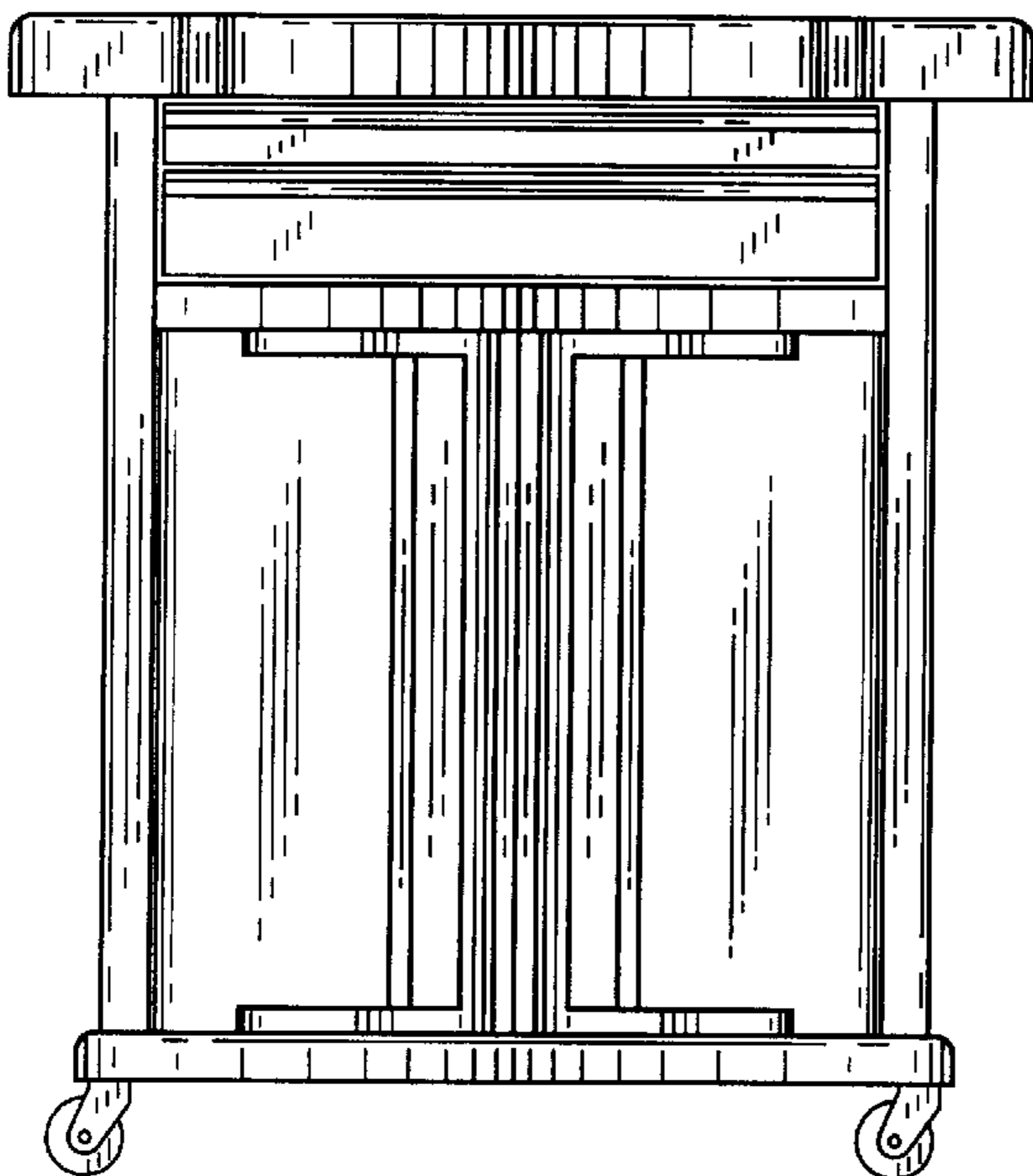


FIG. 6

