



US00D457702S

(12) **United States Design Patent**
Tropper et al.

(10) **Patent No.:** **US D457,702 S**

(45) **Date of Patent:** **** May 21, 2002**

(54) **RECEPTACLE**

(75) Inventors: **Michael Tropper**, Weinburg (AU);
Jeffrey F. Miller, New York, NY (US);
Eric P. Chan, New York, NY (US);
Rama Chorpash, New York, NY (US)

(73) Assignee: **RPI Designs**, Marlette, MI (US)

(**) Term: **14 Years**

(21) Appl. No.: **29/142,052**

(22) Filed: **May 17, 2001**

(51) **LOC (7) Cl.** **09-09**

(52) **U.S. Cl.** **D34/1**

(58) **Field of Search** D34/1, 5, 6, 7,
D34/9, 10; D20/908, 909, 910, 911; D7/591

(56) **References Cited**

U.S. PATENT DOCUMENTS

- D245,750 S * 9/1977 Maclean D7/591
- D315,625 S * 3/1991 Hallinan et al. D34/1
- D318,983 S * 8/1991 Unger D7/591
- D343,709 S * 1/1994 Doty et al. D34/1

- D346,958 S * 5/1994 Olson D7/591
- D355,742 S * 2/1995 Jackson D34/6
- D433,205 S * 10/2000 Cayouette D34/1
- D447,305 S * 8/2001 Hughes D34/1
- D448,905 S * 10/2001 Skalka D34/1

* cited by examiner

Primary Examiner—Cynthia E. Ramirez

(74) *Attorney, Agent, or Firm*—Price, Heneveld, Cooper,
DeWitt & Litton

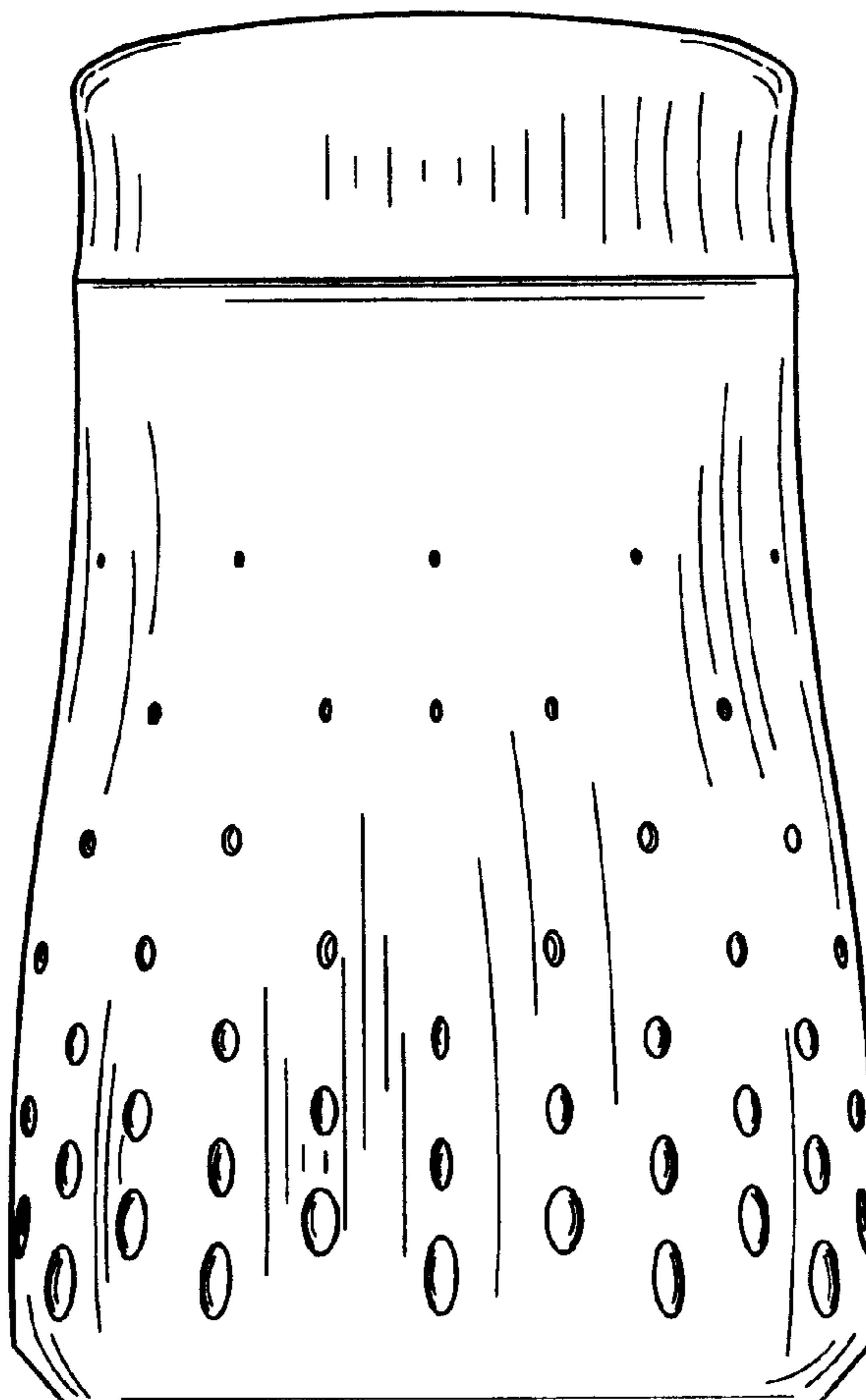
(57) **CLAIM**

We claim the ornamental design for a receptacle, as shown
and described.

DESCRIPTION

FIG. 1 is a perspective view of a receptacle, showing our
new design;
FIG. 2 is a front view, the rear side view being a mirror
image thereof;
FIG. 3 is a right side view, the left side view being a mirror
image thereof;
FIG. 4 is a top view thereof; and,
FIG. 5 is a bottom view thereof.

1 Claim, 2 Drawing Sheets



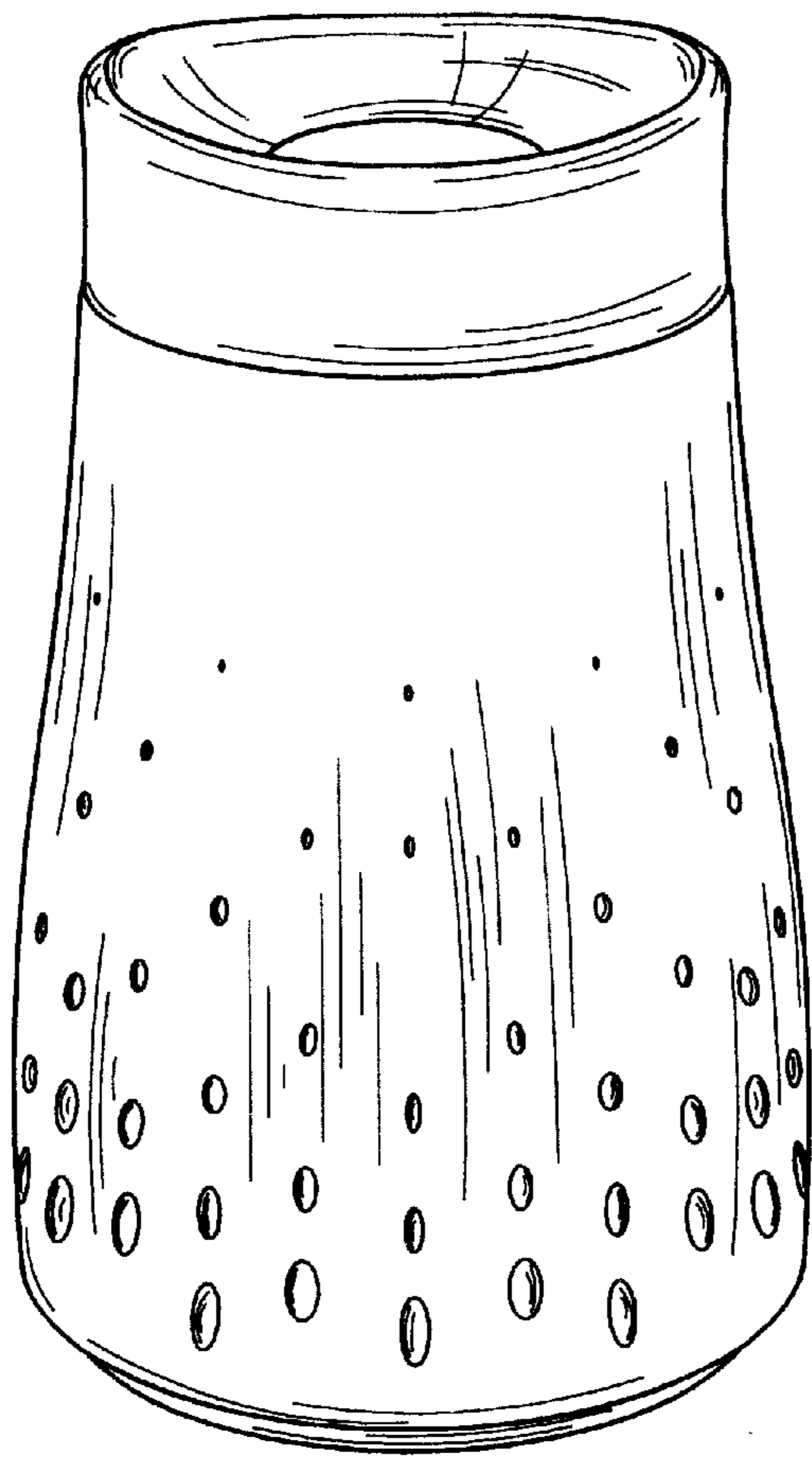


FIG. 1

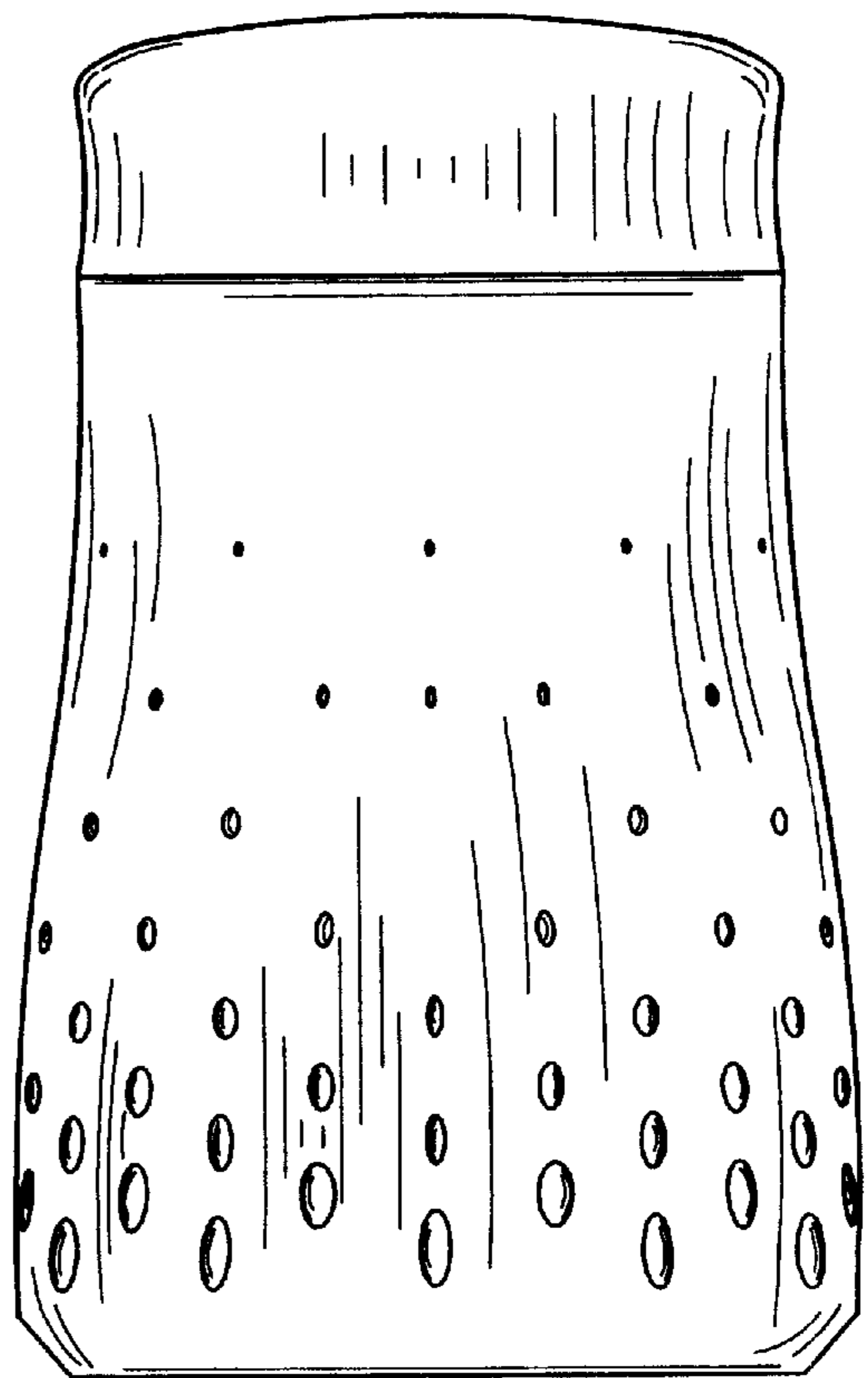


FIG. 2

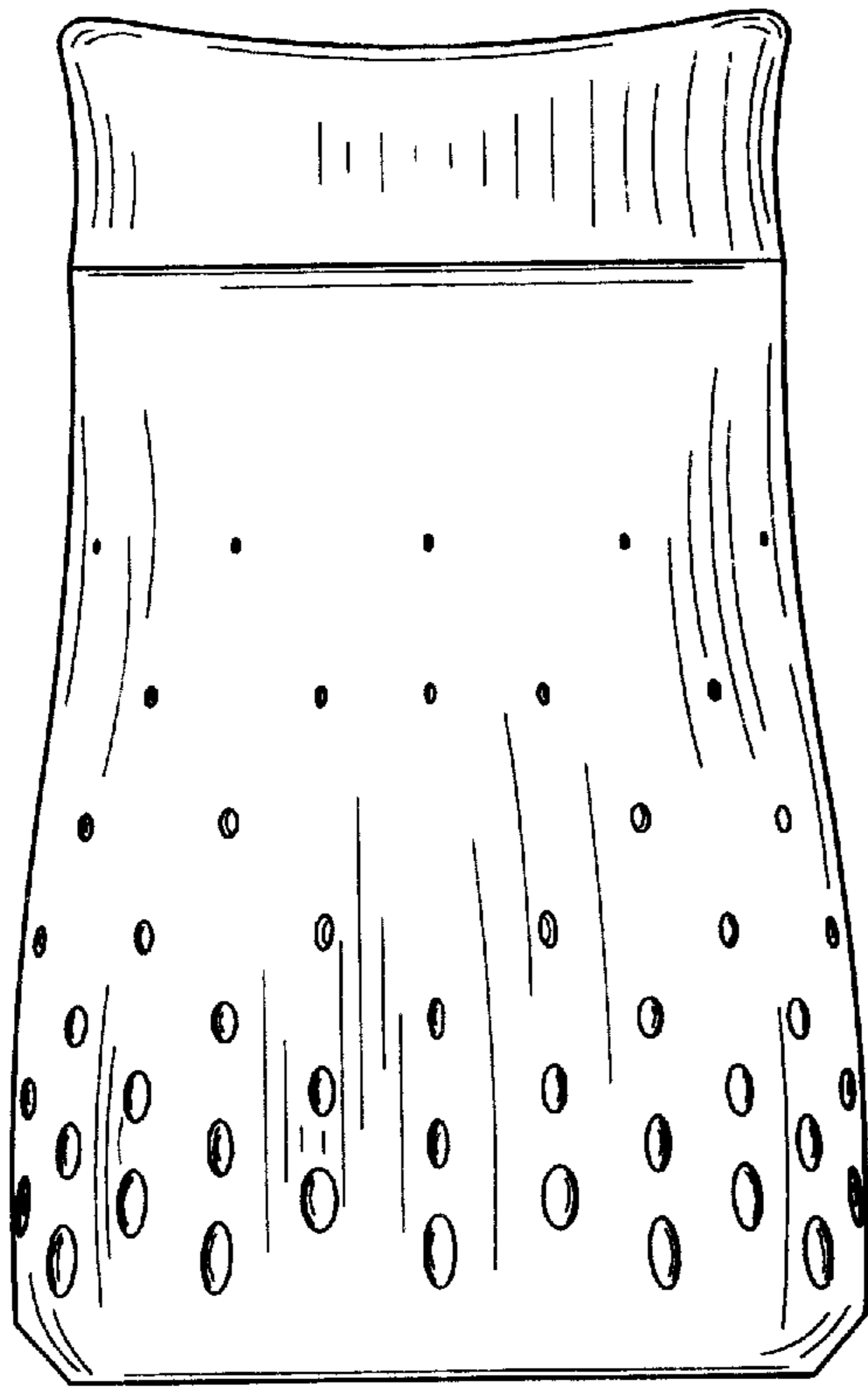


FIG. 3

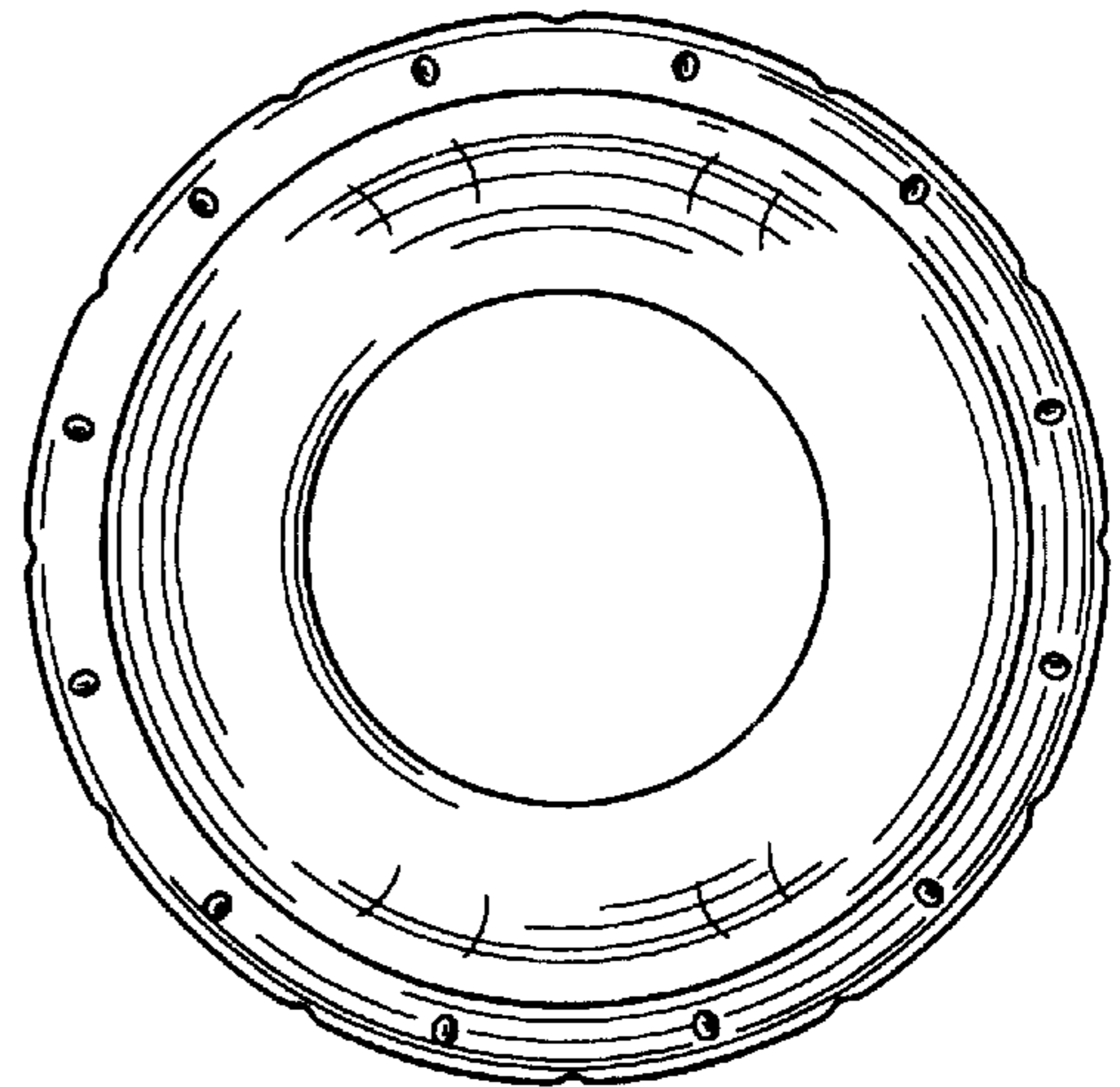


FIG. 4

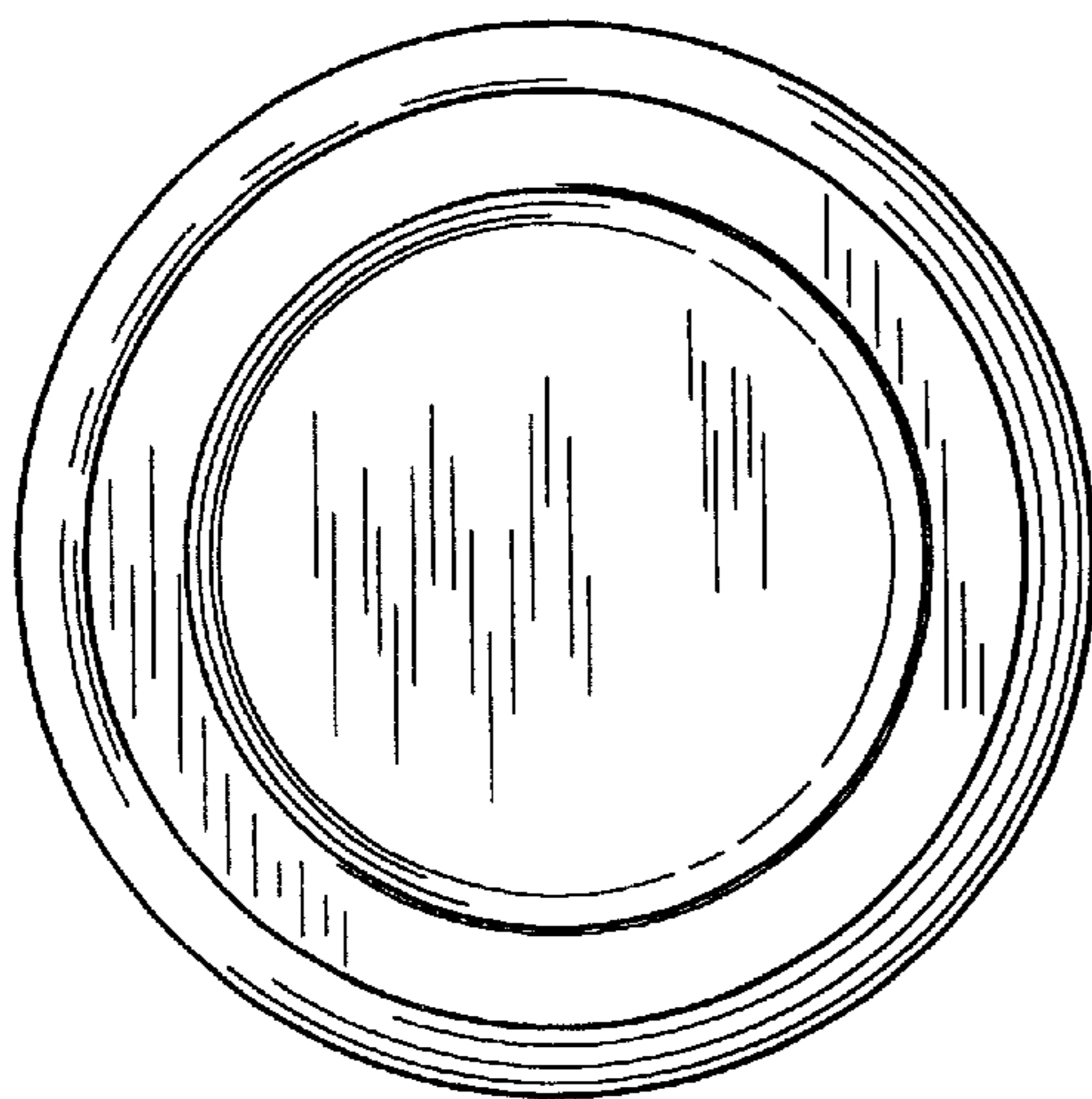


FIG. 5