



US00D457700S

(12) **United States Design Patent**
Acord

(10) **Patent No.:** **US D457,700 S**

(45) **Date of Patent:** **** May 21, 2002**

(54) **PAINT CAN ATTACHMENT**

D380,678 S 7/1997 Borgstede et al.
5,853,107 A 12/1998 Giwojna

(76) Inventor: **Charles W Acord**, 630 Ashley Rd.,
Craig, CO (US) 81625

* cited by examiner

(**) Term: **14 Years**

Primary Examiner—Jennifer Rivard

(21) Appl. No.: **29/151,217**

(57) **CLAIM**

(22) Filed: **Nov. 2, 2001**

The ornamental design for a paint can attachment, as shown and described.

(51) **LOC (7) Cl.** **07-07**

DESCRIPTION

(52) **U.S. Cl.** **D32/54**

(58) **Field of Search** 15/257.05, 257.06;
220/695, 697, 570, 701, 733; 222/108,
570; 248/110, 146; D32/53, 53.1, 54

FIG. 1 is a front elevational view of the paint can attachment of the present invention;

FIG. 2 is a rear elevational view of the paint can attachment of FIG. 1;

FIG. 3 is a left side elevational view of the paint can attachment of FIG. 1;

FIG. 4 is a right side elevational view of the paint can attachment of FIG. 1;

FIG. 5 is a top plan view of the paint can attachment of FIG. 1;

FIG. 6 is a bottom plan view of the paint can attachment of FIG. 1; and,

FIG. 7 is a cross-sectional view of FIG. 5 taken along lines 7—7.

(56) **References Cited**

U.S. PATENT DOCUMENTS

3,016,169	A	*	1/1962	Kirshenbaum	220/697
3,899,107	A		8/1975	Gaal		
4,203,537	A		5/1980	Mc Alister		
4,225,064	A	*	9/1980	Westcott	220/695
4,911,319	A		3/1990	De Jean		
5,012,960	A		5/1991	Arnold		
5,123,576	A	*	6/1992	Lawrence	15/257.06
D345,833	S	*	4/1994	Truran	D32/54
5,568,879	A	*	10/1996	Kovathana	220/697

1 Claim, 3 Drawing Sheets

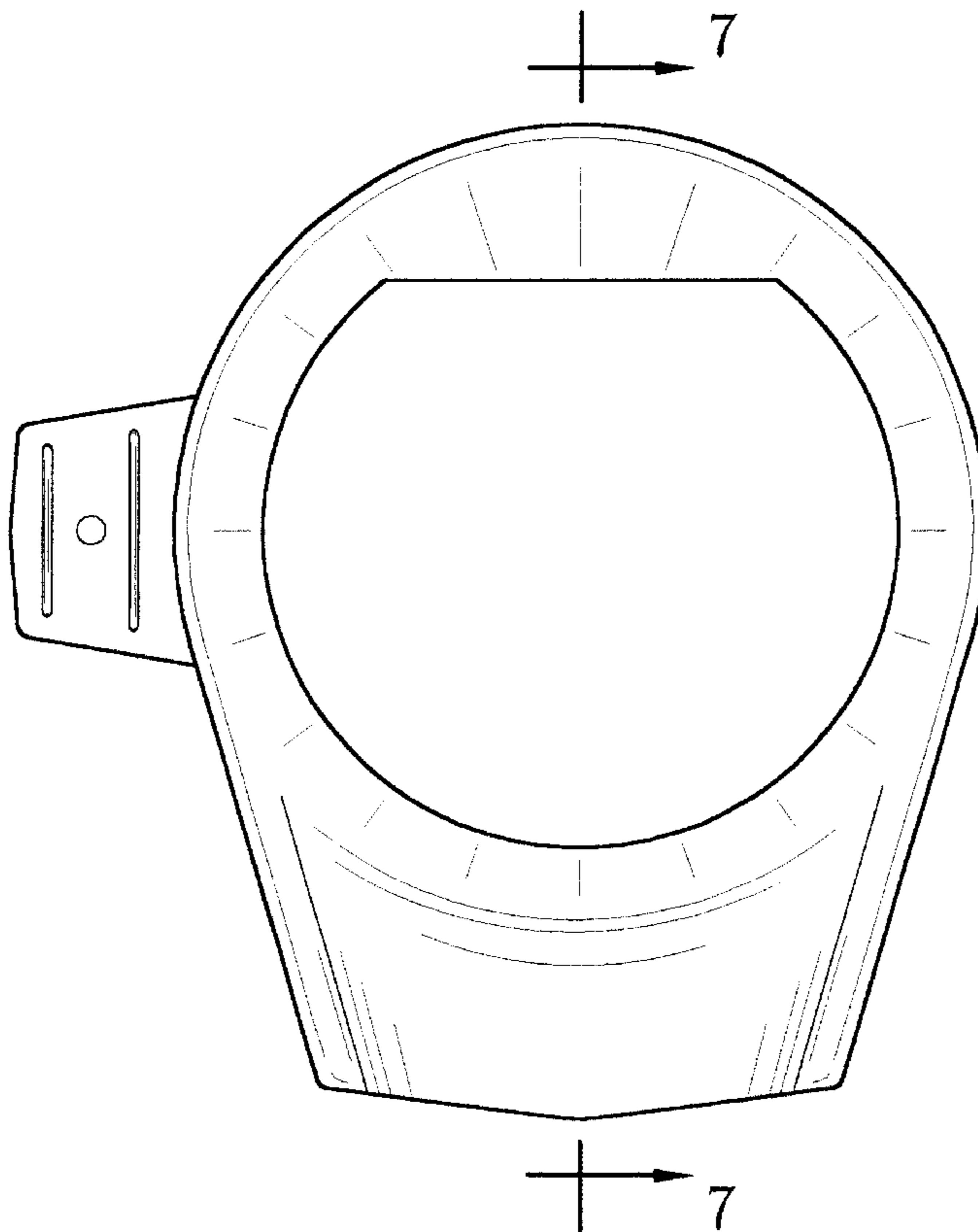




FIG. 1



FIG. 2

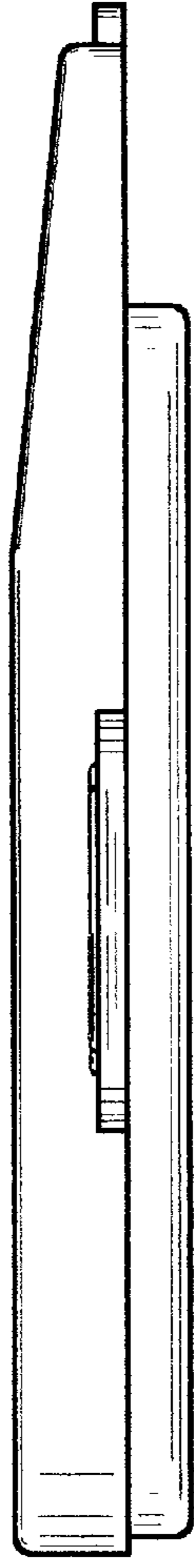


FIG. 3

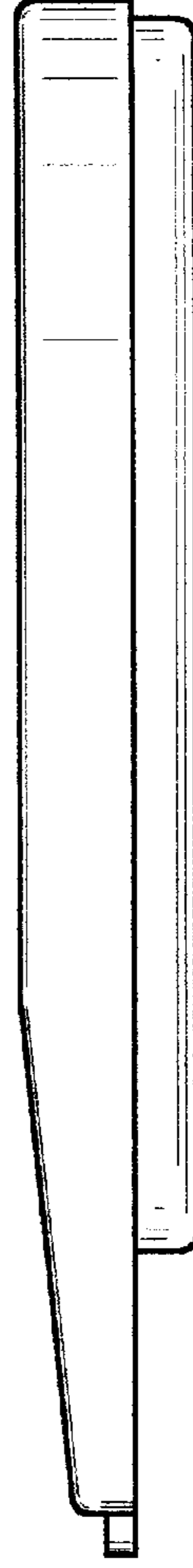


FIG. 4

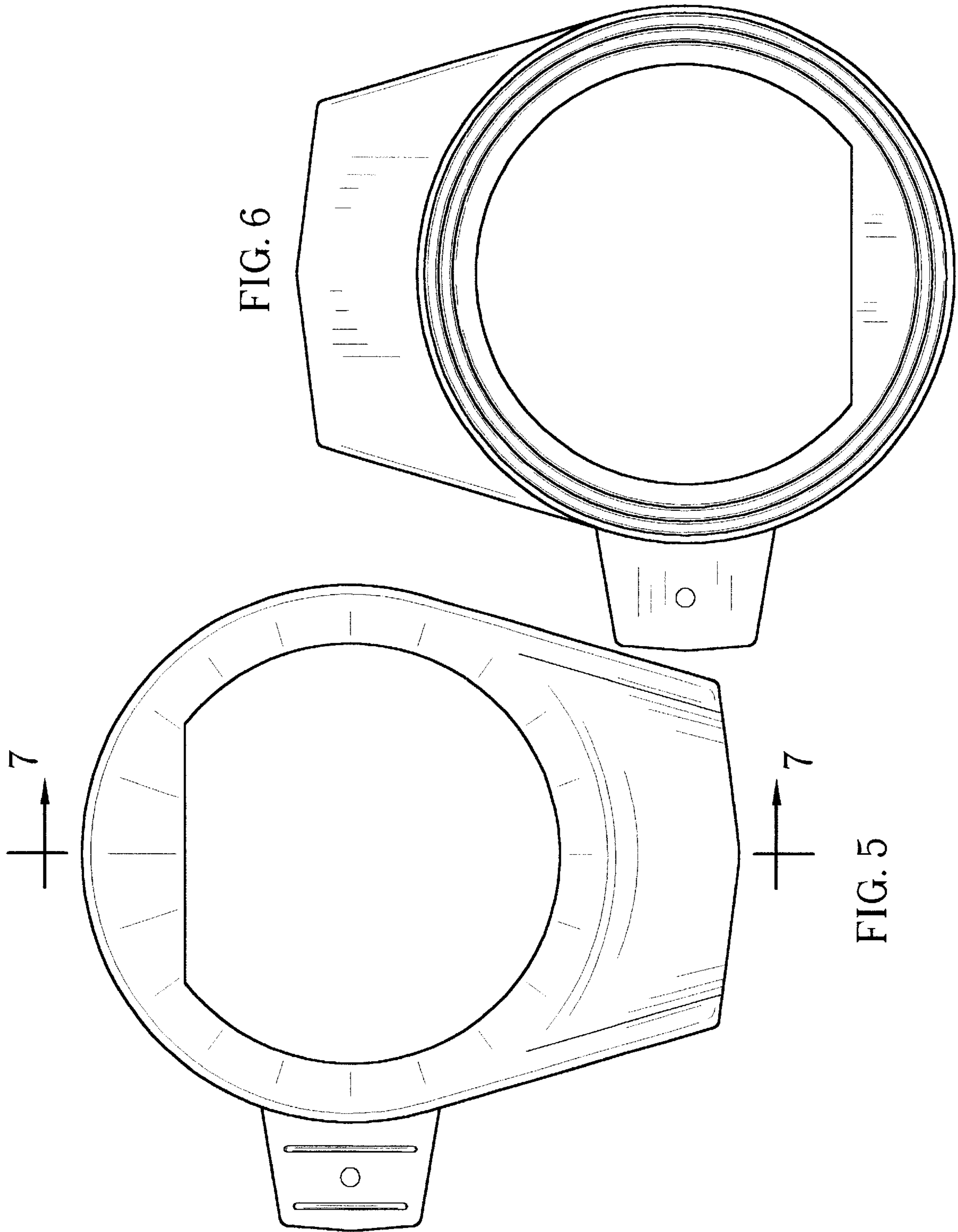


FIG. 6

FIG. 5

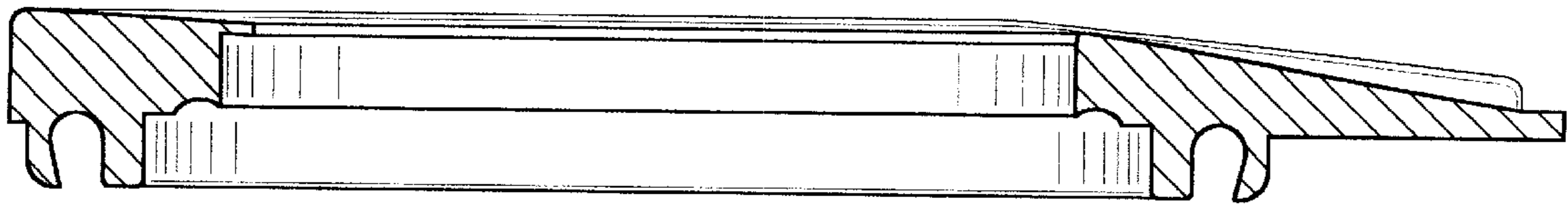


FIG. 7