



US00D457696S

(12) **United States Design Patent**
Wörwag

(10) **Patent No.:** **US D457,696 S**

(45) **Date of Patent:** **** May 21, 2002**

(54) **VACUUM CLEANING TOOL**
(75) Inventor: **Peter Wörwag**, Romanshorn (CH)
(73) Assignee: **Düpro AG**, Romanshorn (CH)
(**) Term: **14 Years**

D333,022 S * 2/1993 Kramer et al. D32/32
D333,539 S * 2/1993 Kramer et al. D32/32
D427,398 S * 6/2000 Worwag D32/32
D427,737 S * 7/2000 Dyson et al. D32/32
D443,120 S * 5/2001 Choi D32/32
D443,741 S * 6/2001 Parr et al. D32/32

* cited by examiner

(21) Appl. No.: **29/136,643**
(22) Filed: **Feb. 2, 2001**

Primary Examiner—Ruth McInroy
(74) *Attorney, Agent, or Firm*—Gudrun E. Huckett

(30) **Foreign Application Priority Data**
Aug. 2, 2000 (DE) 4 00 07 408
(51) **LOC (7) Cl.** **15-05**
(52) **U.S. Cl.** **D32/32**
(58) **Field of Search** D32/21–22, 31–33,
D32/25; 15/322, 415.1–422.1, 41.1, 52.1,
387, 350–351, 366, 368, 383

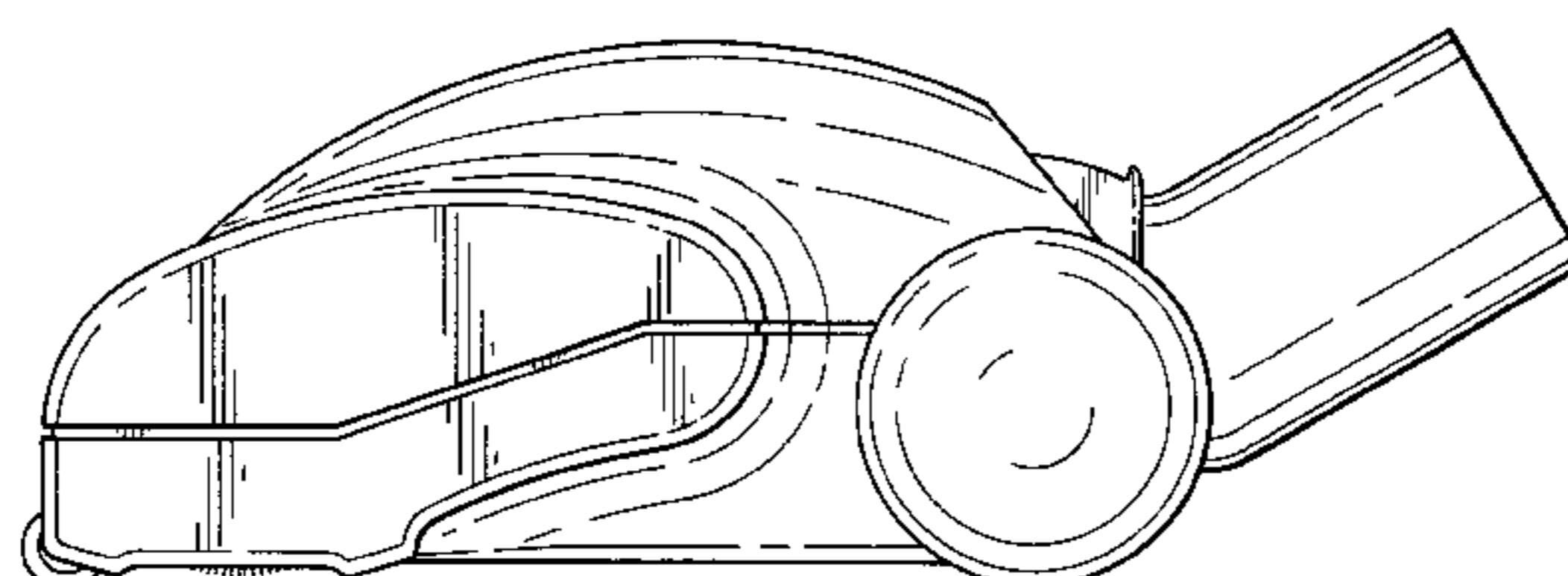
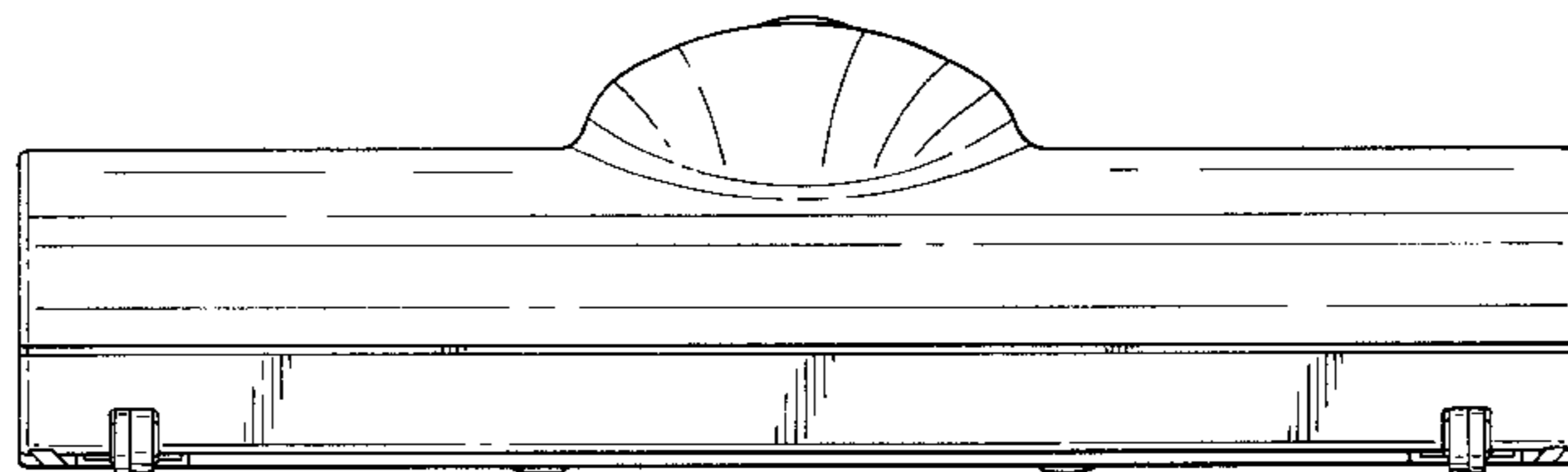
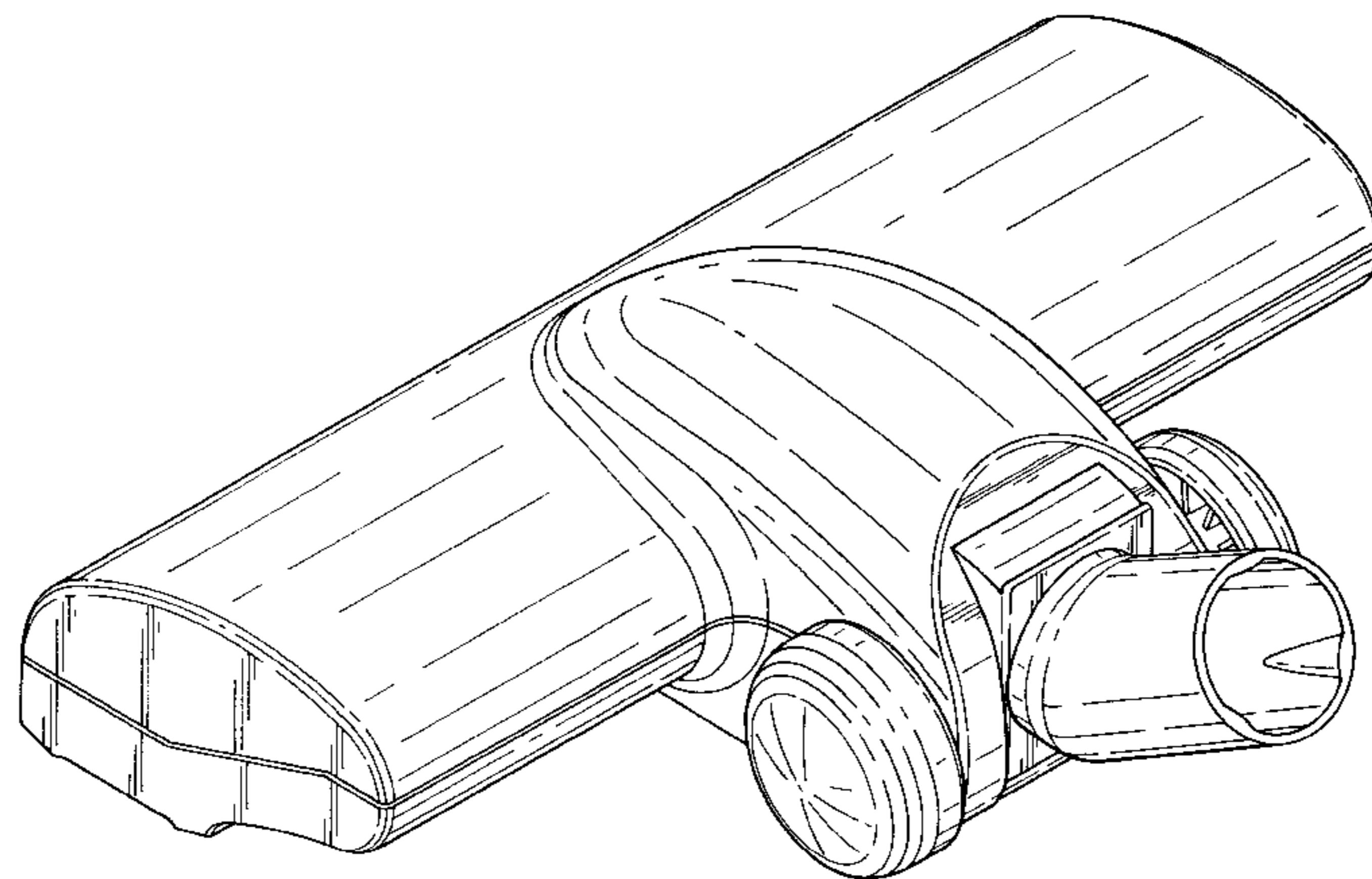
(57) **CLAIM**
The ornamental design for a vacuum cleaning tool, as shown.

DESCRIPTION

FIG. 1 is a top perspective view of a vacuum cleaning tool showing my new design;
FIG. 2 is a front elevational view thereof;
FIG. 3 is a rear elevational view thereof;
FIG. 4 is a right side elevational view thereof;
FIG. 5 is a left side elevational view thereof;
FIG. 6 is a top plan view thereof; and,
FIG. 7 is a bottom plan view thereof.

(56) **References Cited**
U.S. PATENT DOCUMENTS
D189,778 S * 2/1961 Guild et al. D32/32
D295,092 S * 4/1988 Mizuno et al. D32/32
D312,338 S * 11/1990 Hagstrand D32/32
D333,021 S * 2/1993 Breur D32/32

1 Claim, 5 Drawing Sheets



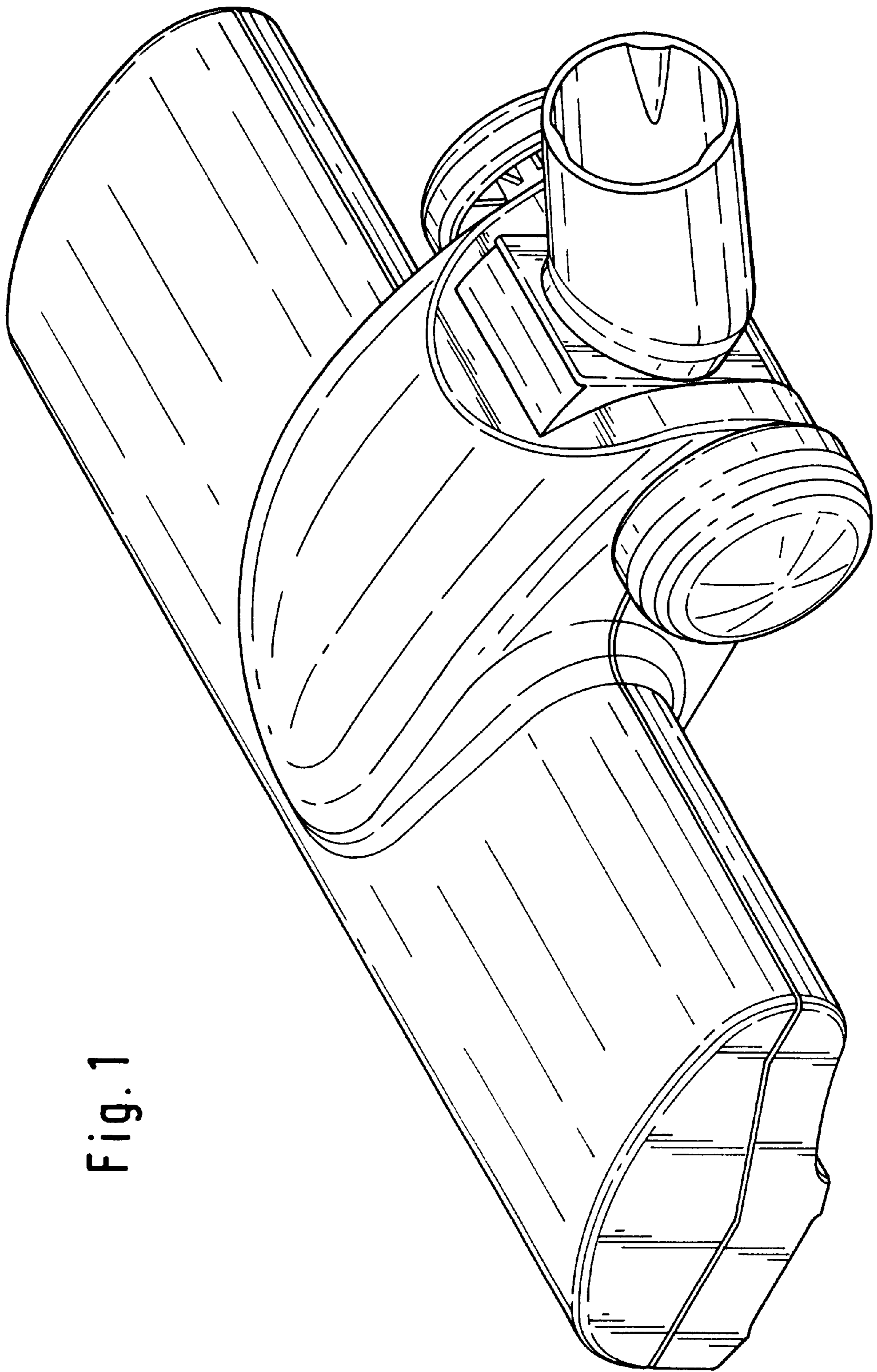


Fig. 1

Fig. 2

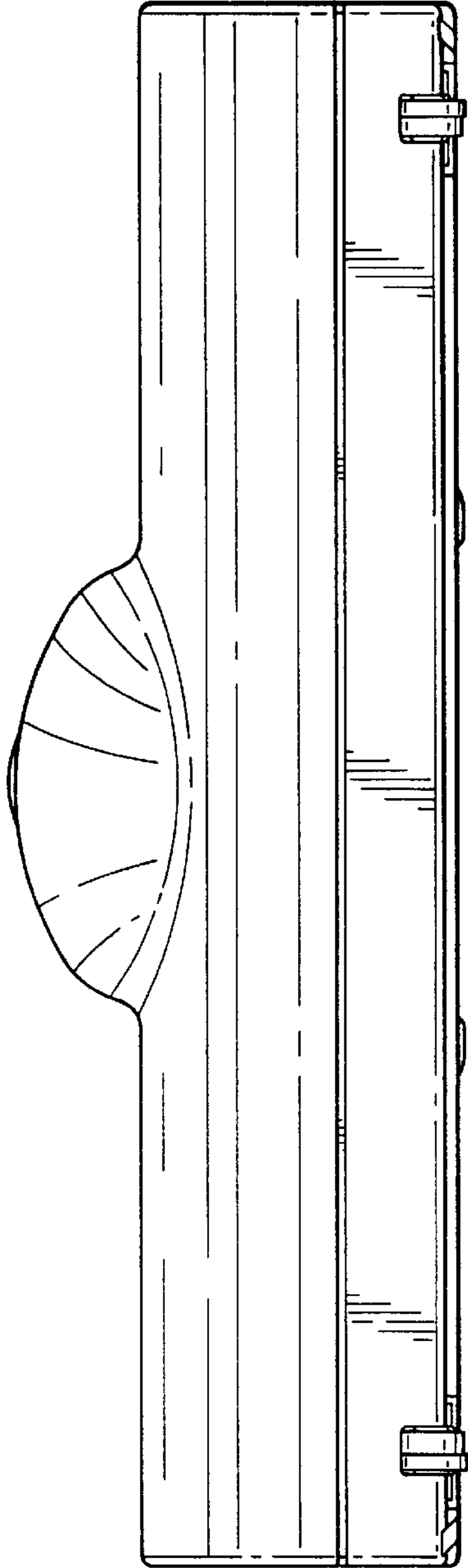


Fig. 3

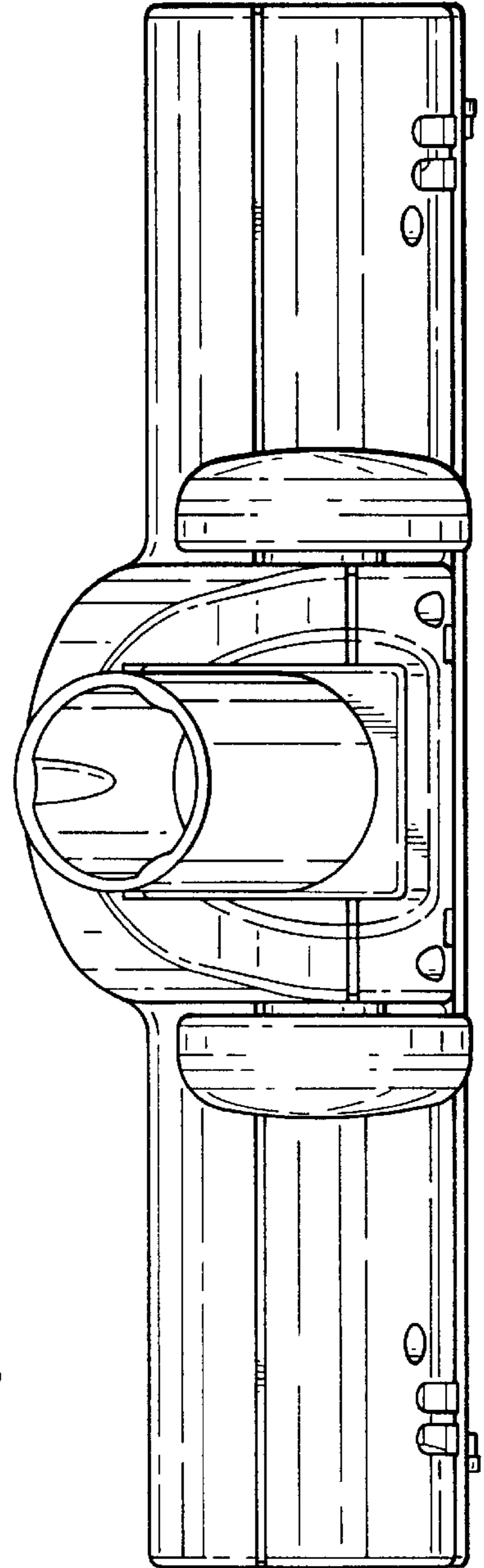


Fig. 4

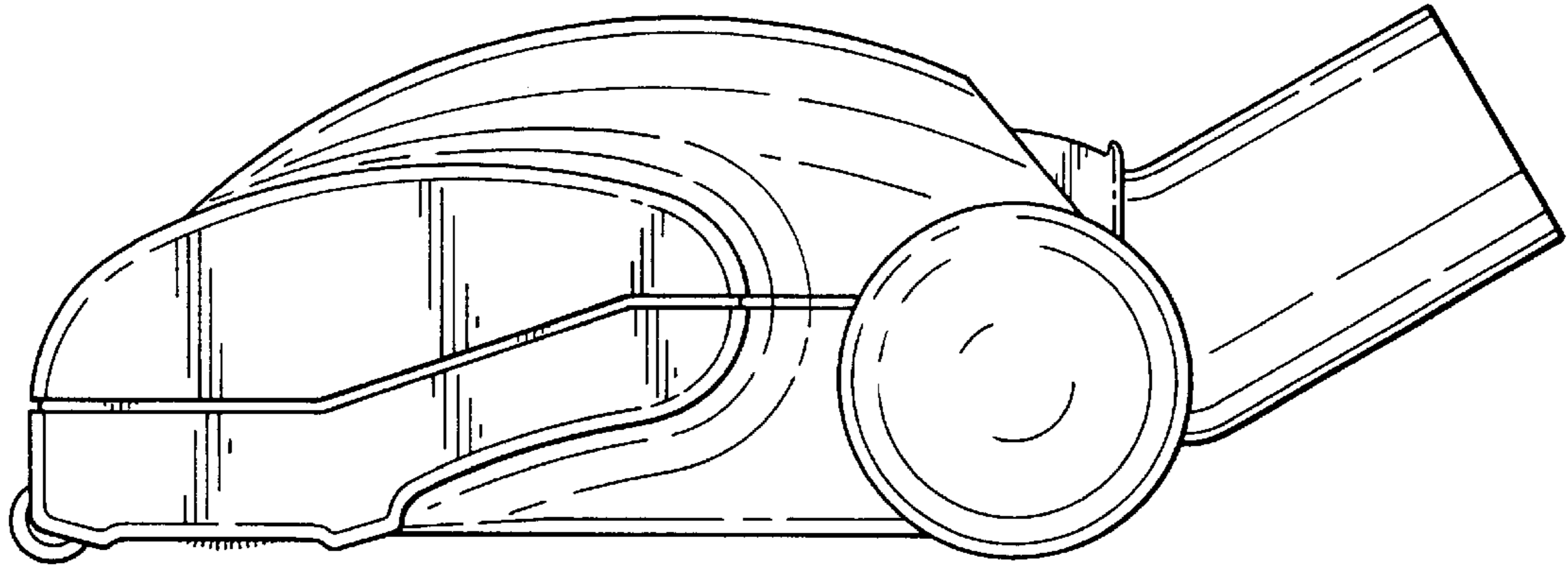
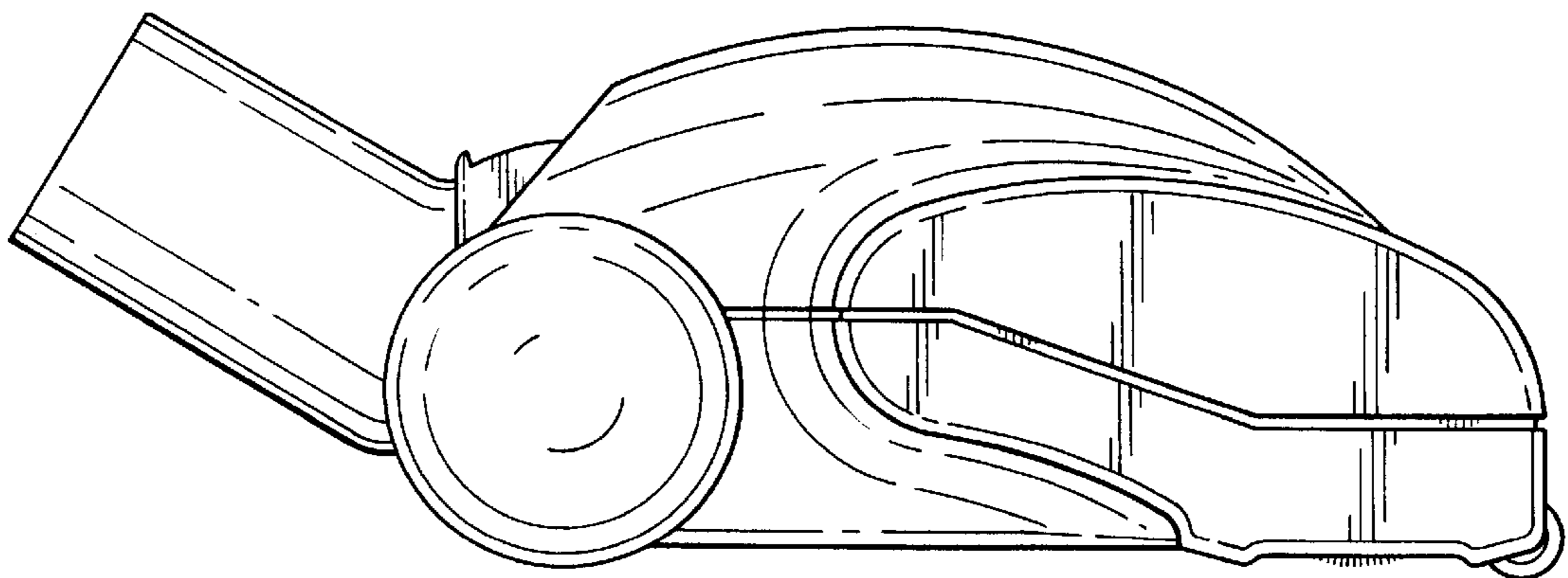


Fig. 5



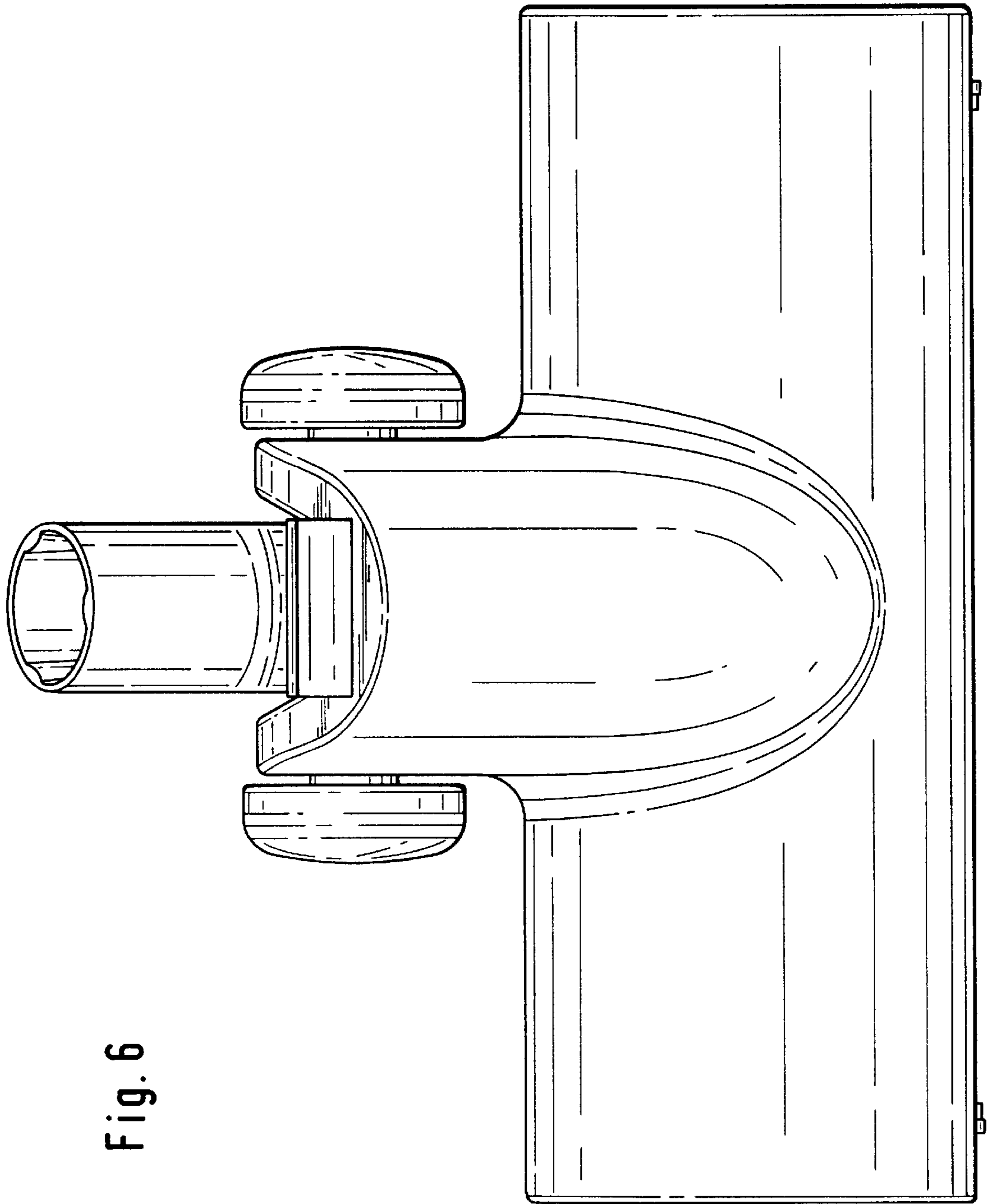


Fig. 6

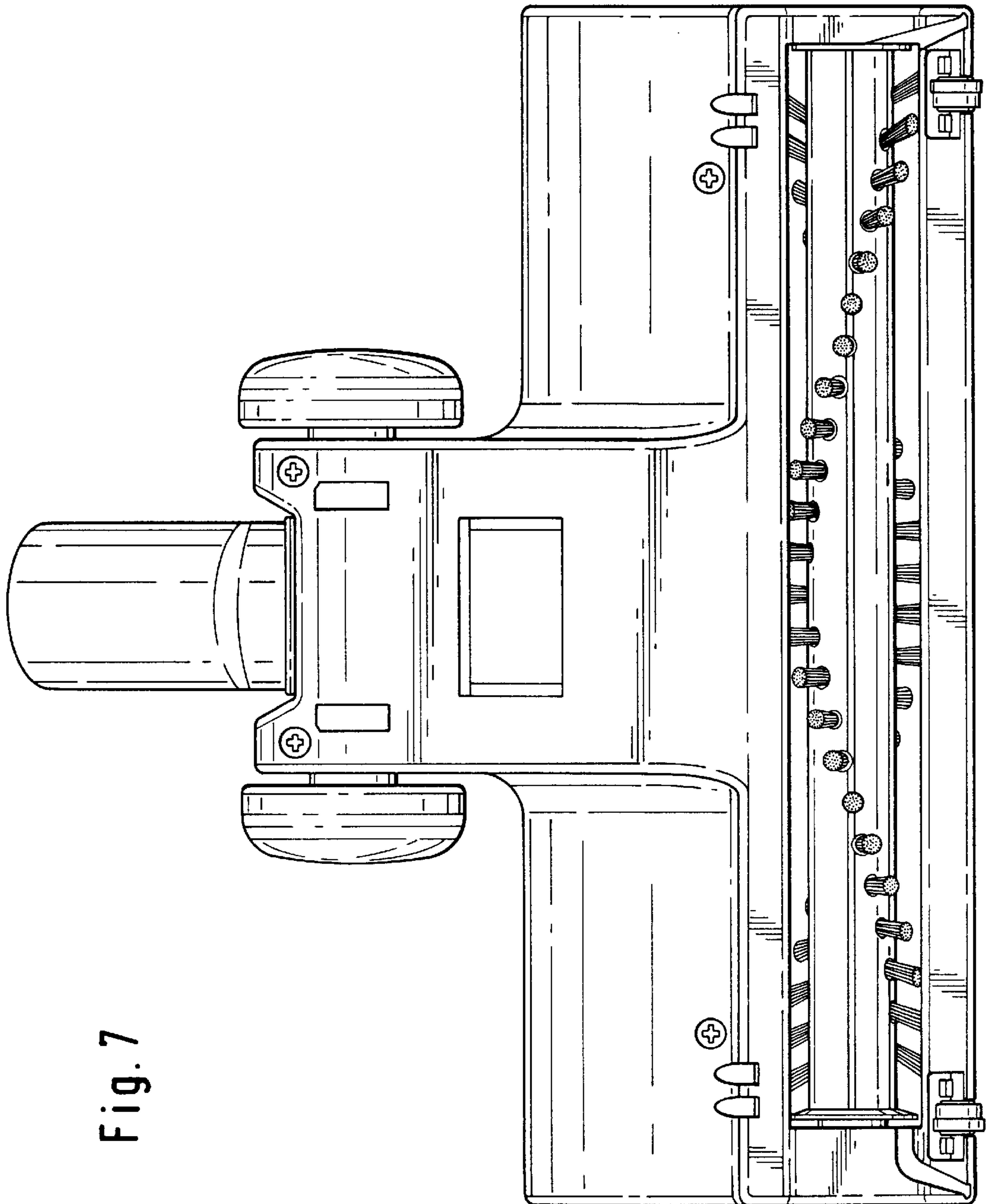


Fig. 7