



US00D457692S

(12) **United States Design Patent**  
**Skurdalsvold et al.**

(10) **Patent No.:** **US D457,692 S**  
(45) **Date of Patent:** **\*\* May 21, 2002**

(54) **PET WATER DISPENSER**  
(75) Inventors: **Scott A. Skurdalsvold**, Arlington;  
**Ralph VanSkiver**, Manchester, both of  
TX (US)

D405,560 S 2/1999 Chrisco  
D406,924 S 3/1999 Kolozsvari  
D406,926 S 3/1999 Kolozsvari  
D432,279 S 10/2000 Kim  
6,142,099 A \* 11/2000 Lange, Jr. .... 119/51.5

(73) Assignee: **Doskocil Manufacturing Company, Inc.**, Arlington, TX (US)

**OTHER PUBLICATIONS**

Photographs. Pet Feeder/Waterer (Pet Mate); Doskocil Mfg. Co., Inc. (2 sheets); date unknown.

(\*\*) Term: **14 Years**

Photographs. Pet Feeder/Waterer (Gourmet); Blitz USA, Inc. (2 sheets); date unknown.

(21) Appl. No.: **29/142,961**

Photographs. Photographs. Pet Feeder/Waterer (Auto); Van Ness (2 sheets); date unknown.

(22) Filed: **Jun. 5, 2001**

(51) **LOC (7) Cl.** ..... **30-03**

\* cited by examiner

(52) **U.S. Cl.** ..... **D30/132**

*Primary Examiner*—Pamela Burgess

(58) **Field of Search** ..... D30/121, 122,  
D30/129–133; 119/51.5, 52.1, 54, 55, 61,  
72, 74, 75

(74) *Attorney, Agent, or Firm*—Locke Liddell & Sapp LLP

(57) **CLAIM**

(56) **References Cited**

The ornamental design for a pet water dispenser, as shown and described.

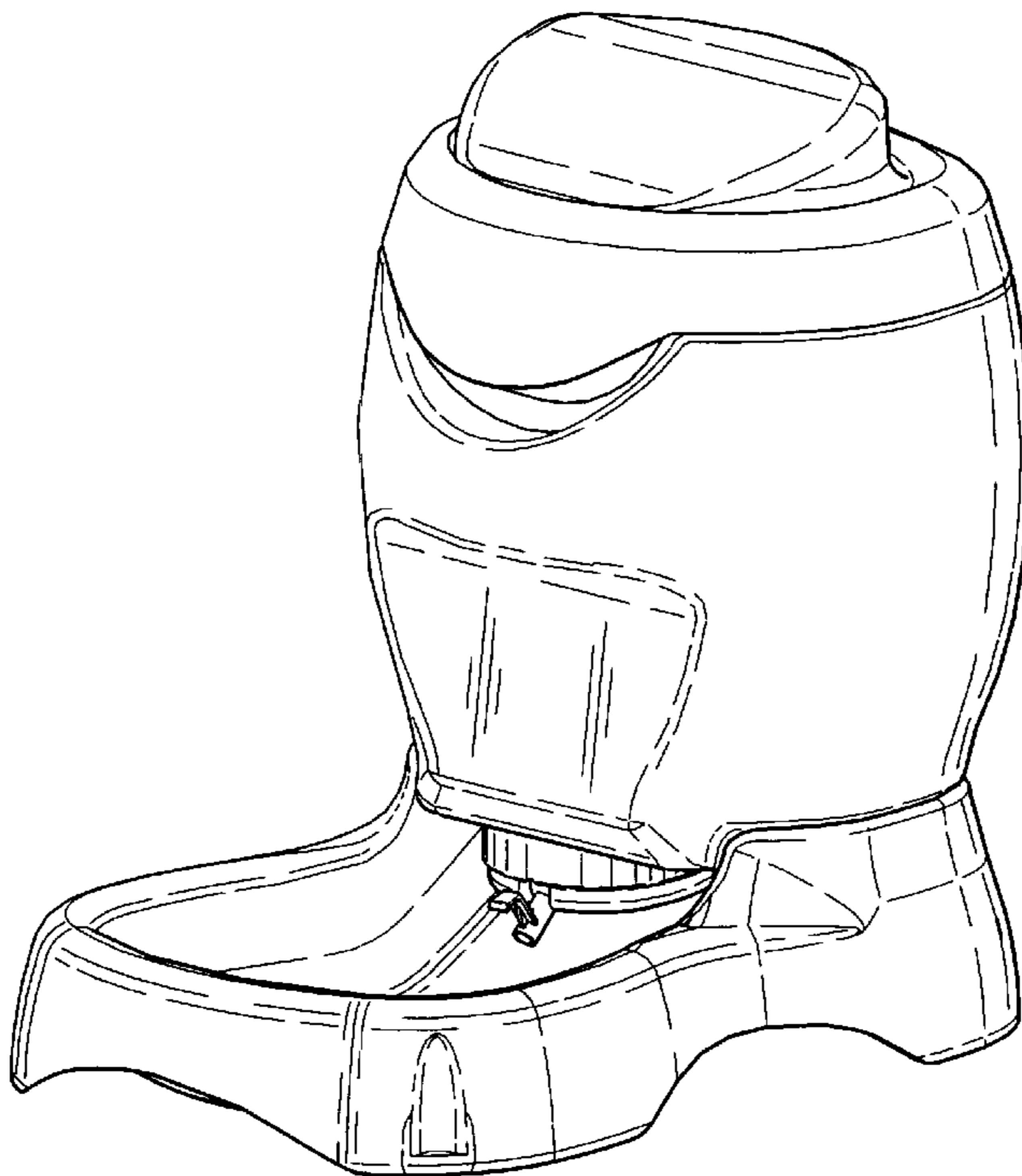
**U.S. PATENT DOCUMENTS**

**DESCRIPTION**

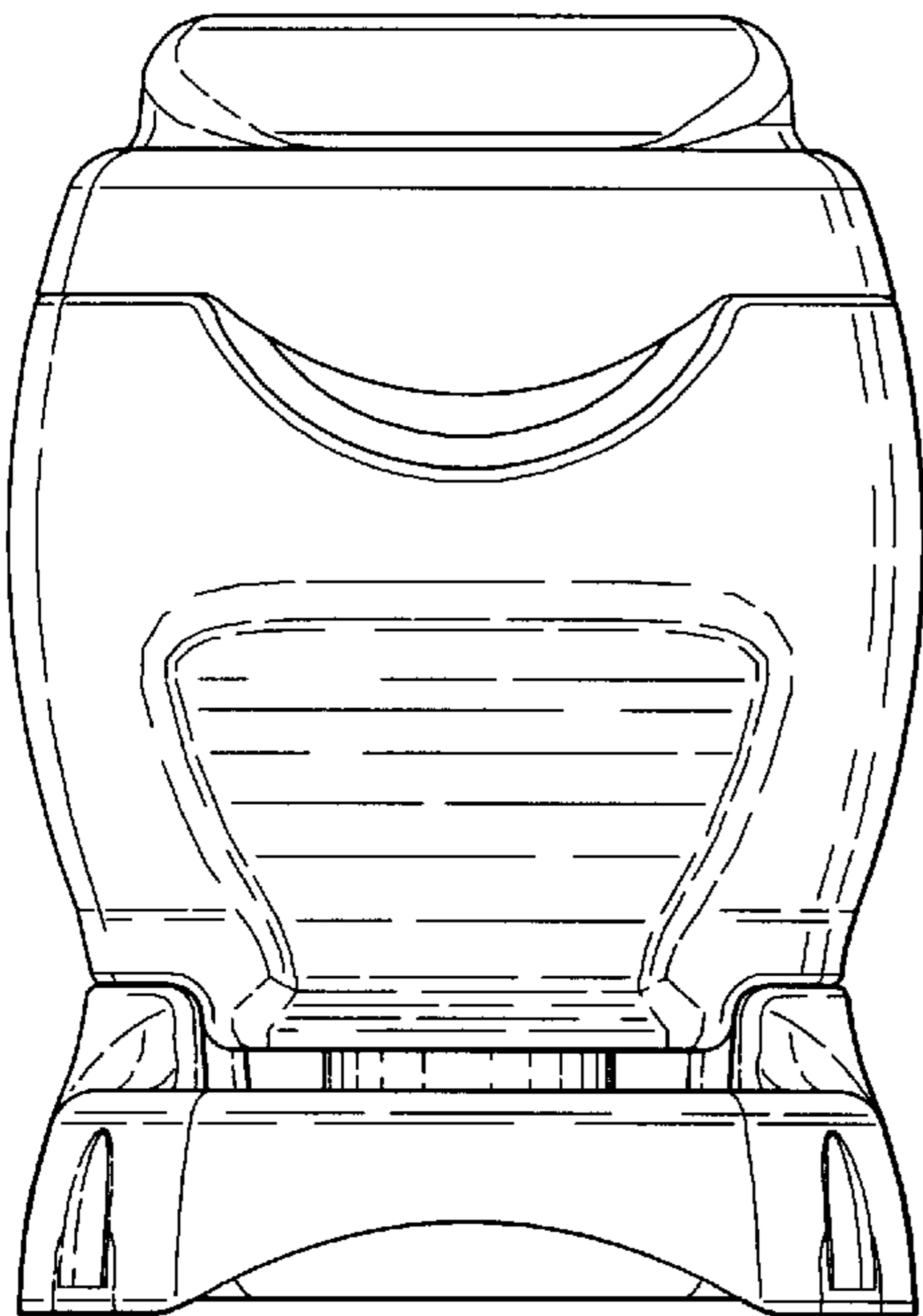
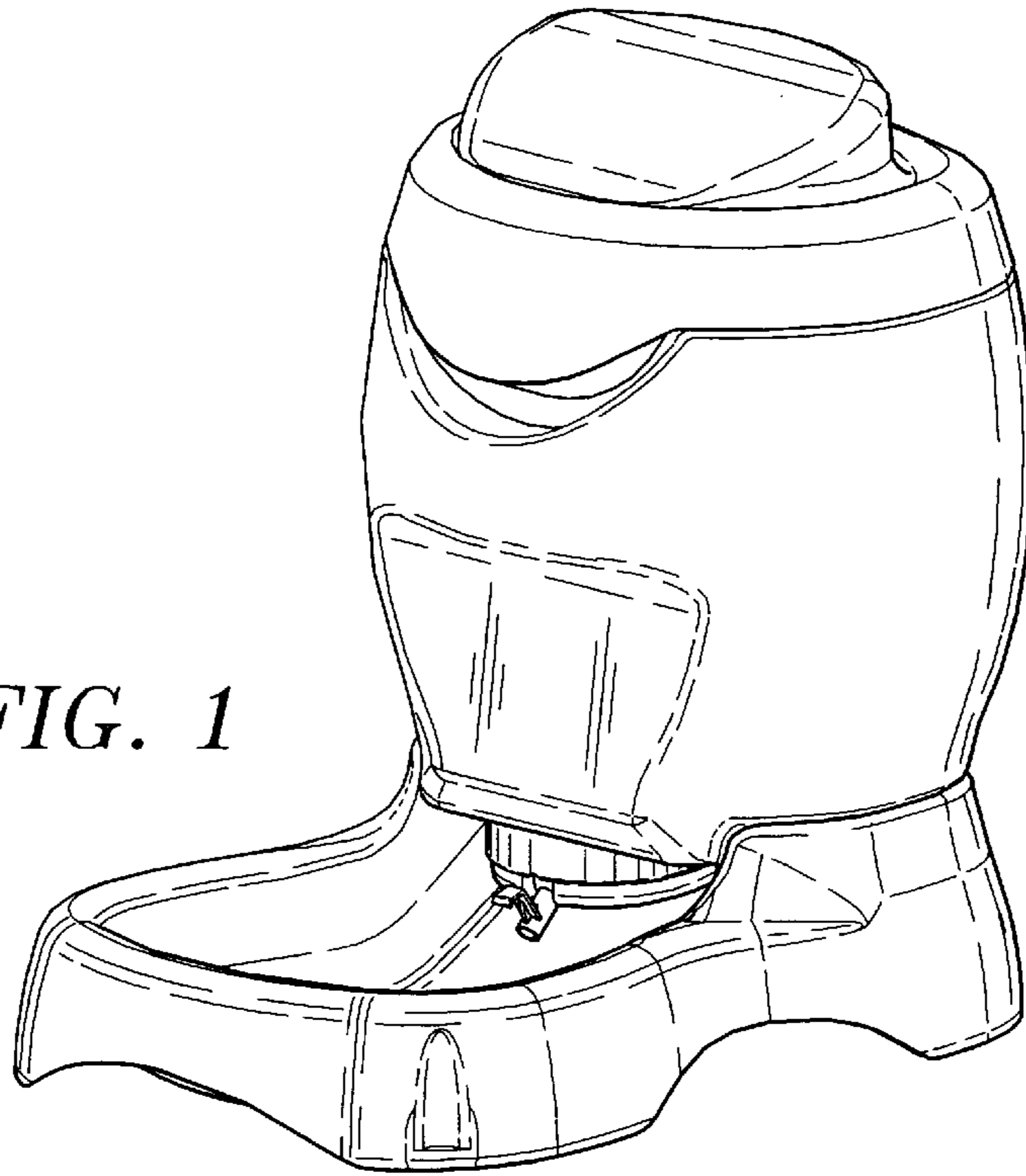
- 3,720,184 A \* 3/1973 Pearce ..... 119/51.5
- 4,721,063 A 1/1988 Atchley
- D330,098 S 10/1992 VanSkiver
- 5,259,336 A 11/1993 Clark
- D350,841 S 9/1994 VanSkiver
- D350,842 S 9/1994 VanSkiver
- D351,689 S 10/1994 VanSkiver
- 5,467,735 A 11/1995 Chrisco
- D364,942 S 12/1995 VanSkiver et al.
- D374,109 S 9/1996 Lillelund et al.
- D402,428 S 12/1998 Chrisco
- 5,845,600 A 12/1998 Mendes

FIG. 1 is a front perspective view of a pet water dispenser showing our new design;  
FIG. 2 is a front elevational view thereof;  
FIG. 3 is a rear elevational view thereof;  
FIG. 4 is a top plan view thereof;  
FIG. 5 is a left side elevational view thereof, the right side elevational view being identical thereto; and,  
FIG. 6 is a bottom plan view thereof.

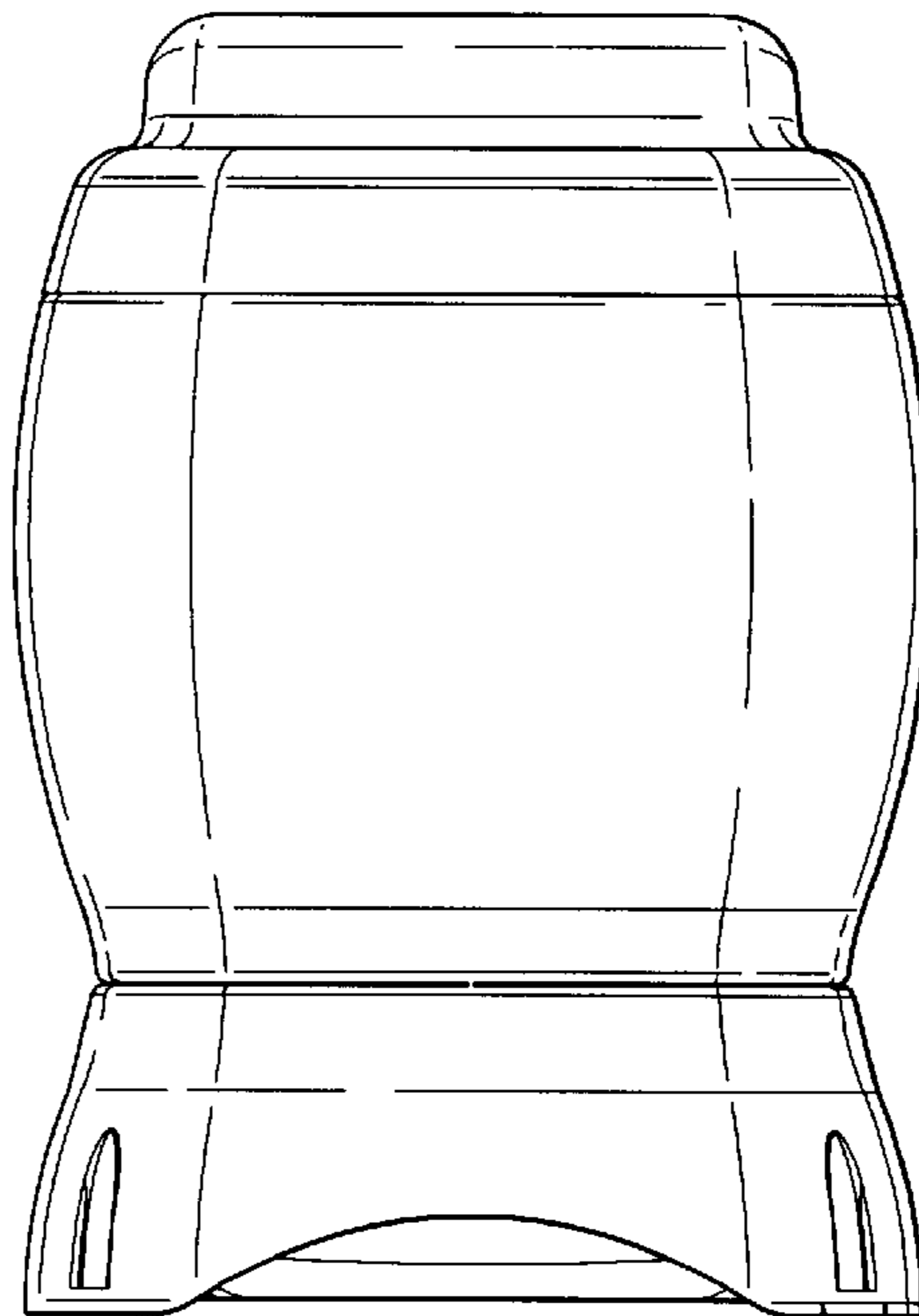
**1 Claim, 2 Drawing Sheets**



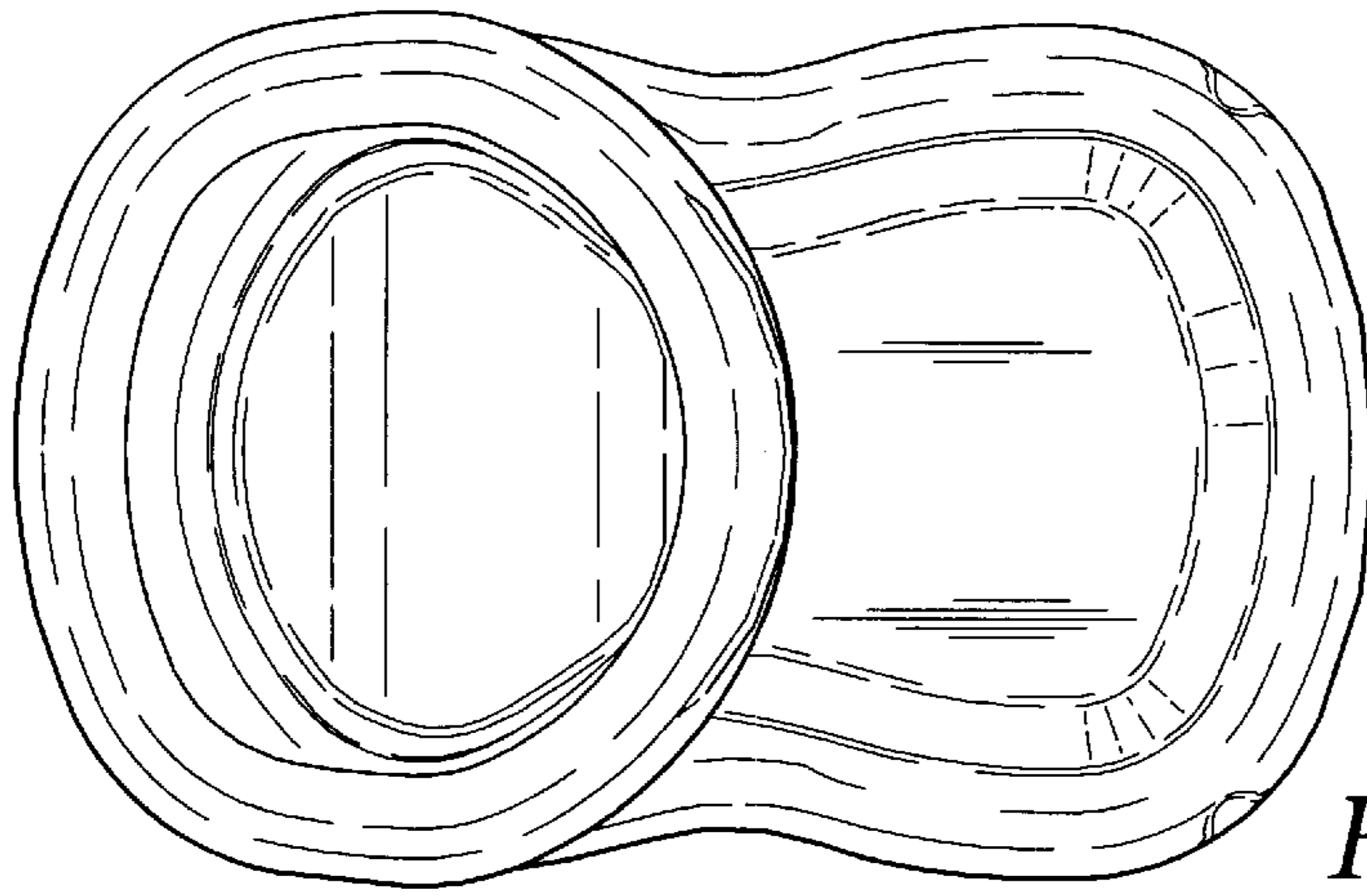
*FIG. 1*



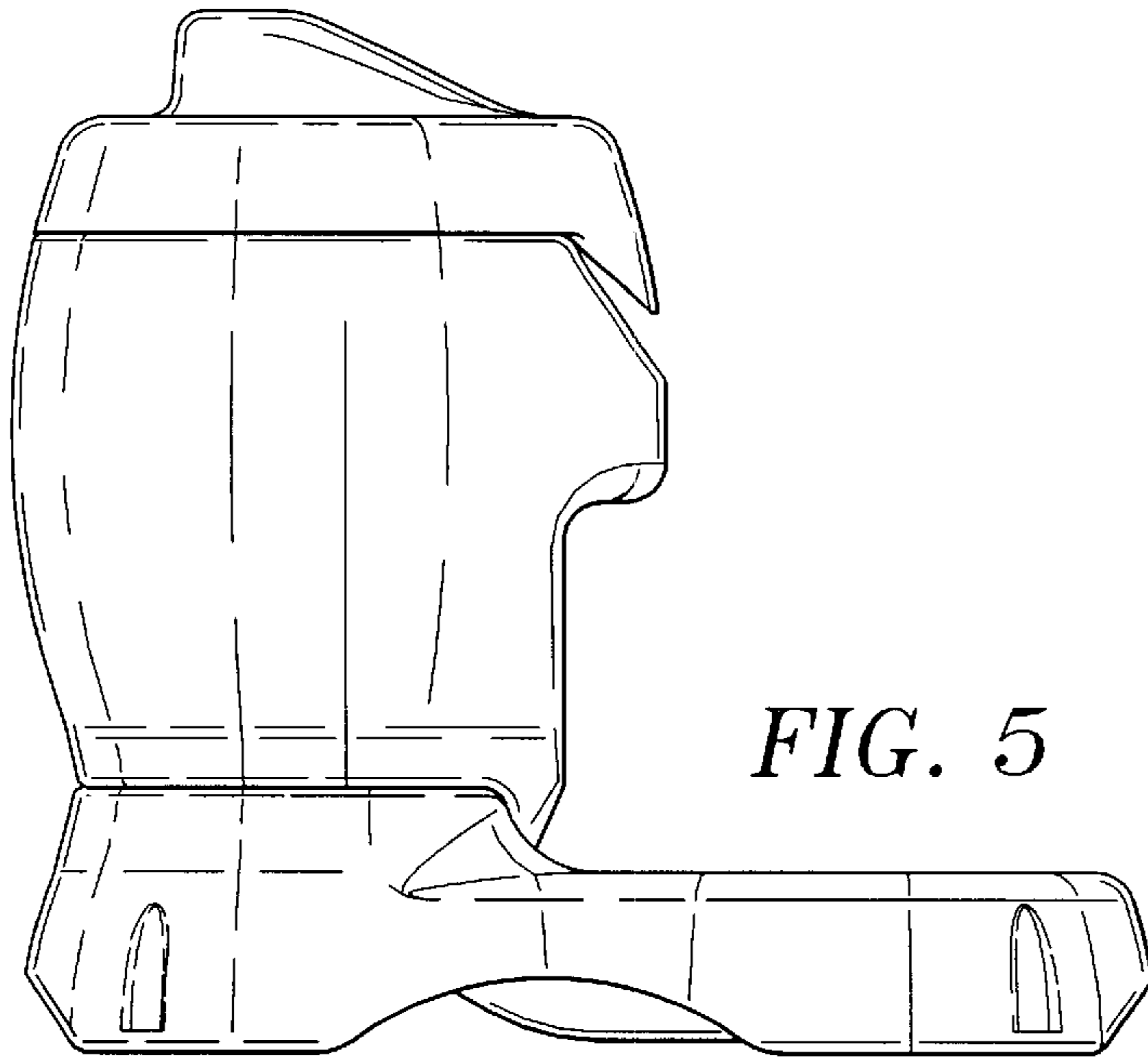
*FIG. 2*



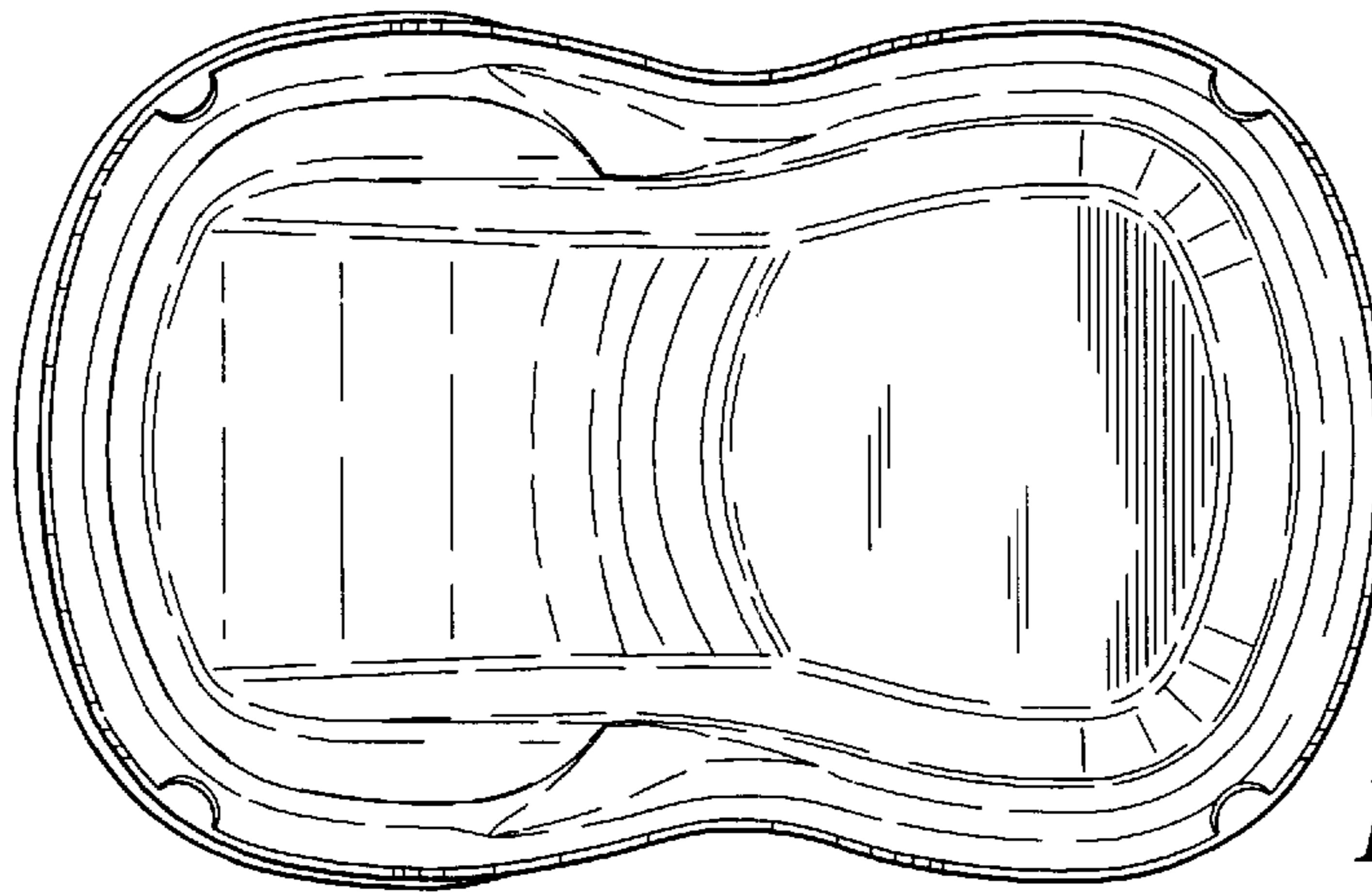
*FIG. 3*



*FIG. 4*



*FIG. 5*



*FIG. 6*