



US00D457687S

(12) **United States Design Patent**
Millar

(10) **Patent No.:** **US D457,687 S**

(45) **Date of Patent:** **** May 21, 2002**

(54) **COSMETICS CASE**

(76) Inventor: **Cathrine V. Millar**, 7687 S. Datura Cir., Littleton, CO (US) 80120

(**) Term: **14 Years**

(21) Appl. No.: **29/147,487**

(22) Filed: **Aug. 28, 2001**

(51) **LOC (7) Cl.** **28-03**

(52) **U.S. Cl.** **D28/83; D28/77**

(58) **Field of Search** D28/76-84; D9/341, D9/347, 420, 423, 424; D3/205, 273-275, 294-297, 901; 132/293-307, 314-318; 206/235, 581, 823; 220/DIG. 26

(56) **References Cited**

U.S. PATENT DOCUMENTS

| | | | | | | |
|-----------|----|---|---------|----------|-------|---------|
| 1,767,567 | A | * | 6/1930 | Weil | | 132/294 |
| D275,425 | S | * | 9/1984 | Briggs | | D28/78 |
| D305,281 | S | * | 1/1990 | Chen | | D28/76 |
| D321,415 | S | * | 11/1991 | Chen | | D28/80 |
| 5,605,167 | A | * | 2/1997 | Montoli | | 132/294 |
| 5,638,838 | A | * | 6/1997 | Lombardi | | 132/294 |
| D428,208 | S | * | 7/2000 | Nodarse | | D28/77 |
| 6,234,181 | B1 | * | 5/2001 | Lou | | 132/313 |

OTHER PUBLICATIONS

Harper's Bazaar, Nov. 1985, p. 127: "Pupa Estasis Kit".*
Modern Salon, Jan. 1986, p. 34: items indicated by arrows.*

* cited by examiner

Primary Examiner—Ted Shooman

Assistant Examiner—C Tuttle

(74) *Attorney, Agent, or Firm*—Thomas W. Hanson

(57) **CLAIM**

The ornamental design for a cosmetics case, as shown and described.

DESCRIPTION

FIG. 1 illustrates the case with the cover open and with the cosmetic pans in place;
FIG. 2 illustrates the case with the cover open, and with the cosmetic pans removed to disclose the underlying surfaces;
FIG. 3 illustrates the case with the cosmetic pans in place and with the upper tray partially tilted;
FIG. 4 illustrates the case with the upper tray tilted to a substantially vertical position providing access to the lower compartment;
FIG. 5 illustrates the case with the cover closed; and,
FIG. 6 is an exploded view of the case illustrating the individual components.

1 Claim, 6 Drawing Sheets





FIG. 1



FIG. 2

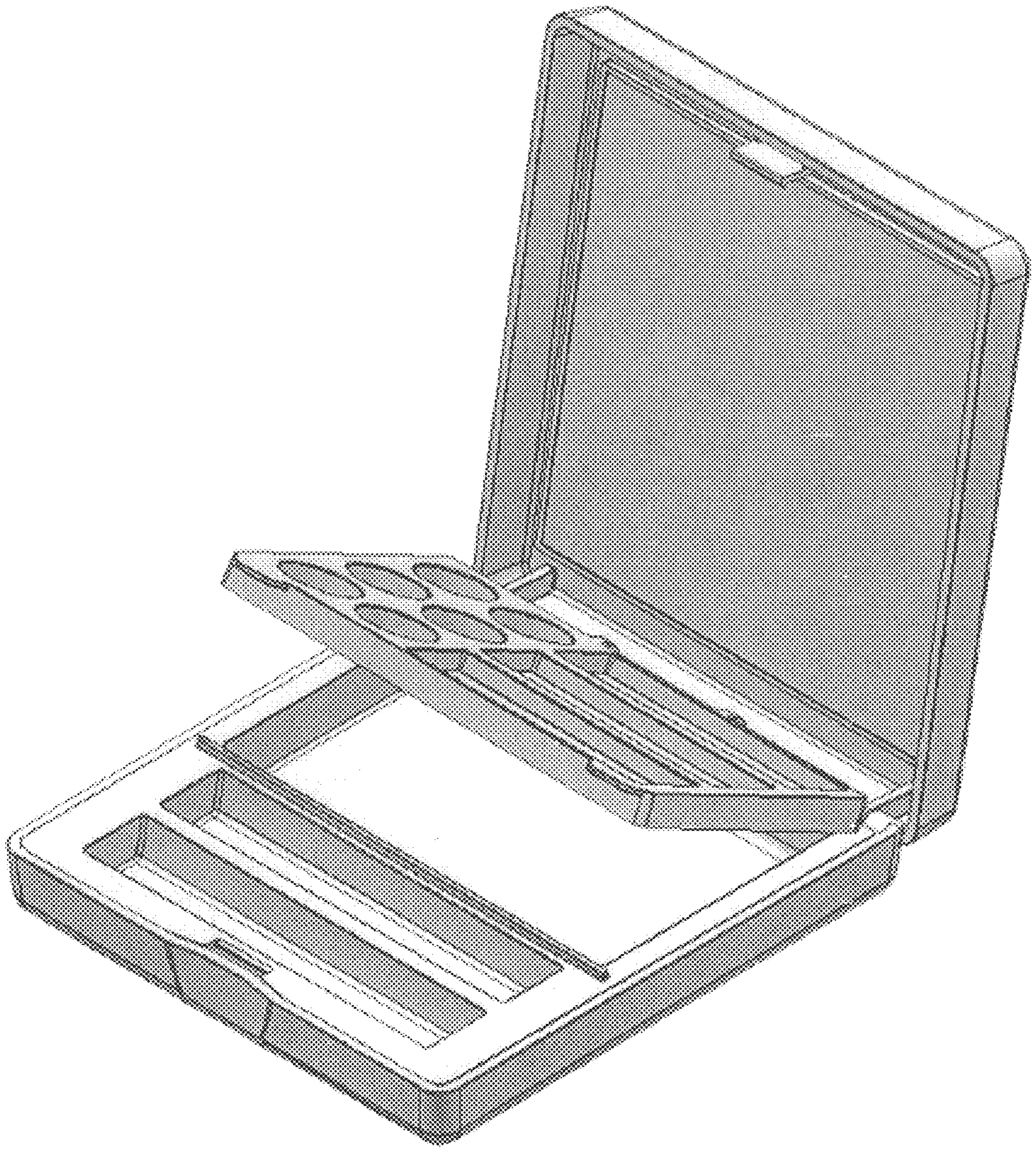


FIG. 3

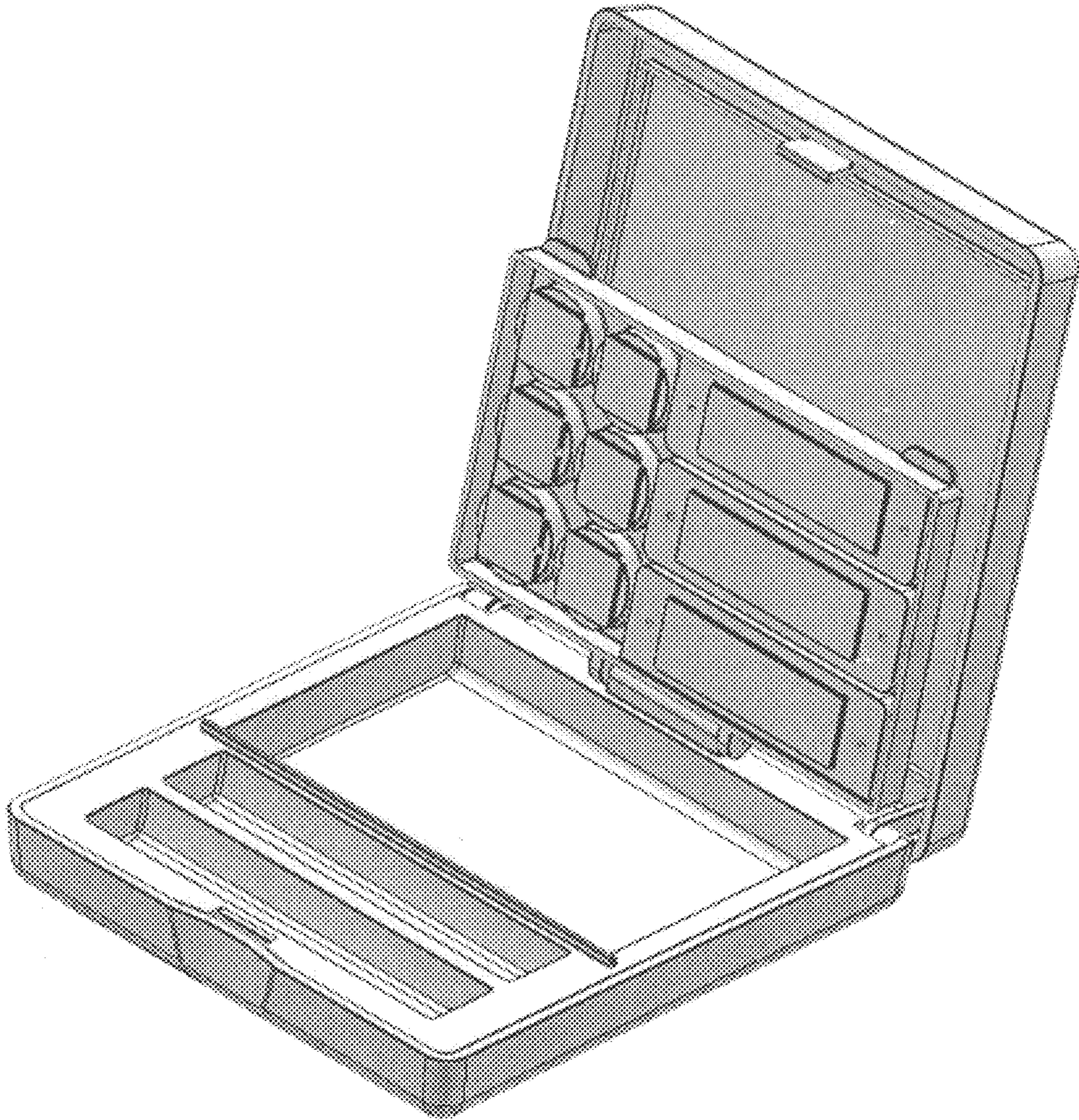


FIG. 4

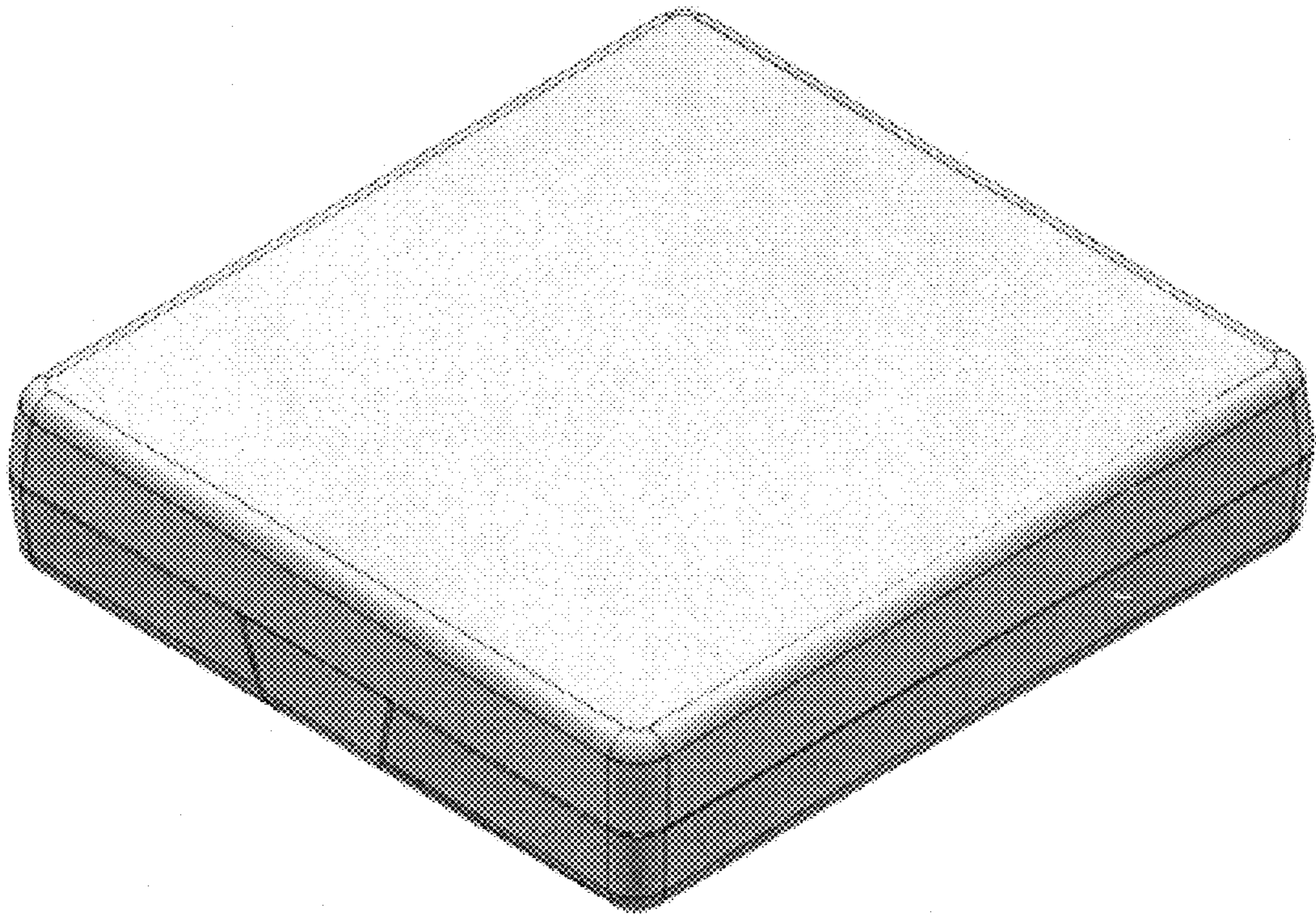


FIG. 5

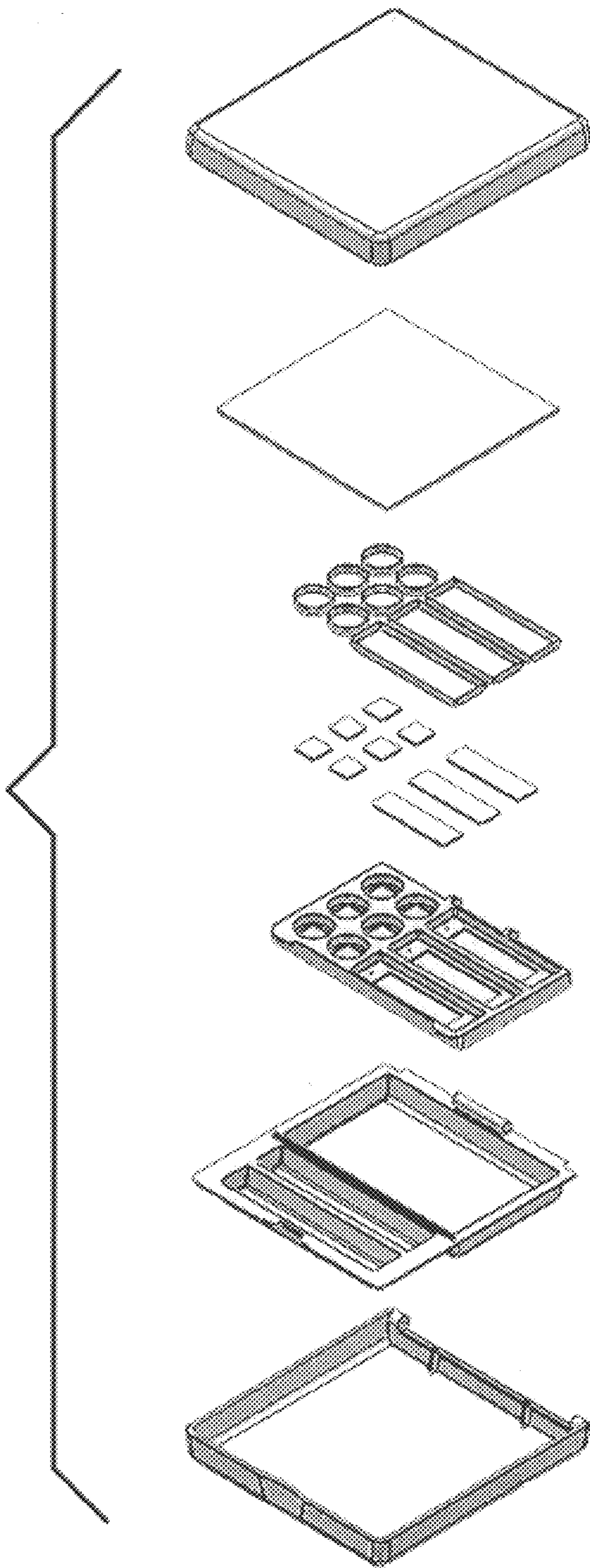


FIG. 6