



US00D457684S

(12) **United States Design Patent**  
**Wonderley**

(10) **Patent No.:** **US D457,684 S**

(45) **Date of Patent:** **\*\* May 21, 2002**

(54) **WOMAN'S RAZOR**

(75) Inventor: **Jeffrey W. Wonderley**, Ft. Defiance,  
VA (US)

(73) Assignee: **American Safety Razor Company**,  
Verona, VA (US)

(\*\*) Term: **14 Years**

(21) Appl. No.: **29/131,542**

(22) Filed: **Oct. 25, 2000**

(51) **LOC (7) Cl.** ..... **28-03**

(52) **U.S. Cl.** ..... **D28/48**

(58) **Field of Search** ..... D28/44-48; 30/32,  
30/47-51, 526, 527, 532, 533

(56) **References Cited**

**U.S. PATENT DOCUMENTS**

D229,249 S	*	11/1973	Castelli	.....	D28/48
D257,793 S	*	1/1981	Gray	.....	D28/48
D259,065 S	*	4/1981	Byrne	.....	D28/46
D260,303 S	*	8/1981	Wordtmann	.....	D28/46
D269,915 S	*	7/1983	Iten et al.	.....	D28/46
D366,728 S	*	1/1996	Ryu	.....	D28/48
D414,898 S	*	10/1999	Grange	.....	D28/48
D422,117 S	*	3/2000	Motta	.....	D28/48
D425,251 S	*	5/2000	Gray	.....	D28/48
D439,015 S	*	3/2001	Wonderley	.....	D28/48

\* cited by examiner

*Primary Examiner*—Ted Shooman

*Assistant Examiner*—C Tuttle

(74) *Attorney, Agent, or Firm*—McDermott, Will & Emery

(57) **CLAIM**

The ornamental design for a woman's razor, as shown and described.

**DESCRIPTION**

FIG. 1 is a perspective view of the woman's razor design of the invention.

FIG. 2 is a top view of the woman's razor design shown in FIG. 1.

FIG. 3 is a bottom view of the woman's razor design shown in FIG. 1.

FIG. 4 is a side view of the woman's razor design shown in FIG. 1.

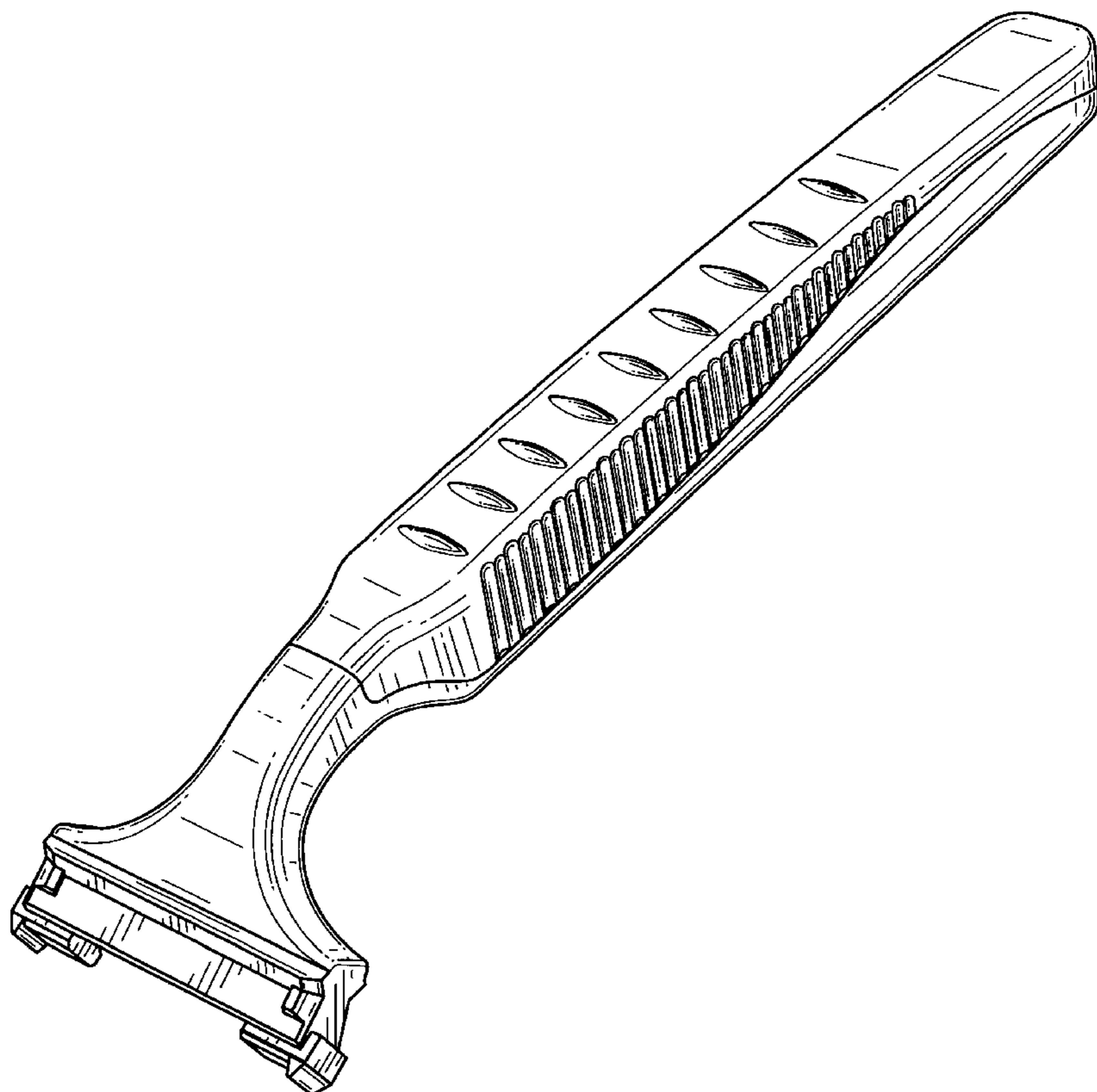
FIG. 5 is a front view of the woman's razor design shown in FIG. 1; and,

FIG. 6 is a back view of the woman's razor design shown in FIG. 1.

The broken line portions of the disclosure are for illustrative purposes only and form no part of the claimed design.

The unshaded areas of FIG. 3 form no part of the claimed design.

**1 Claim, 5 Drawing Sheets**



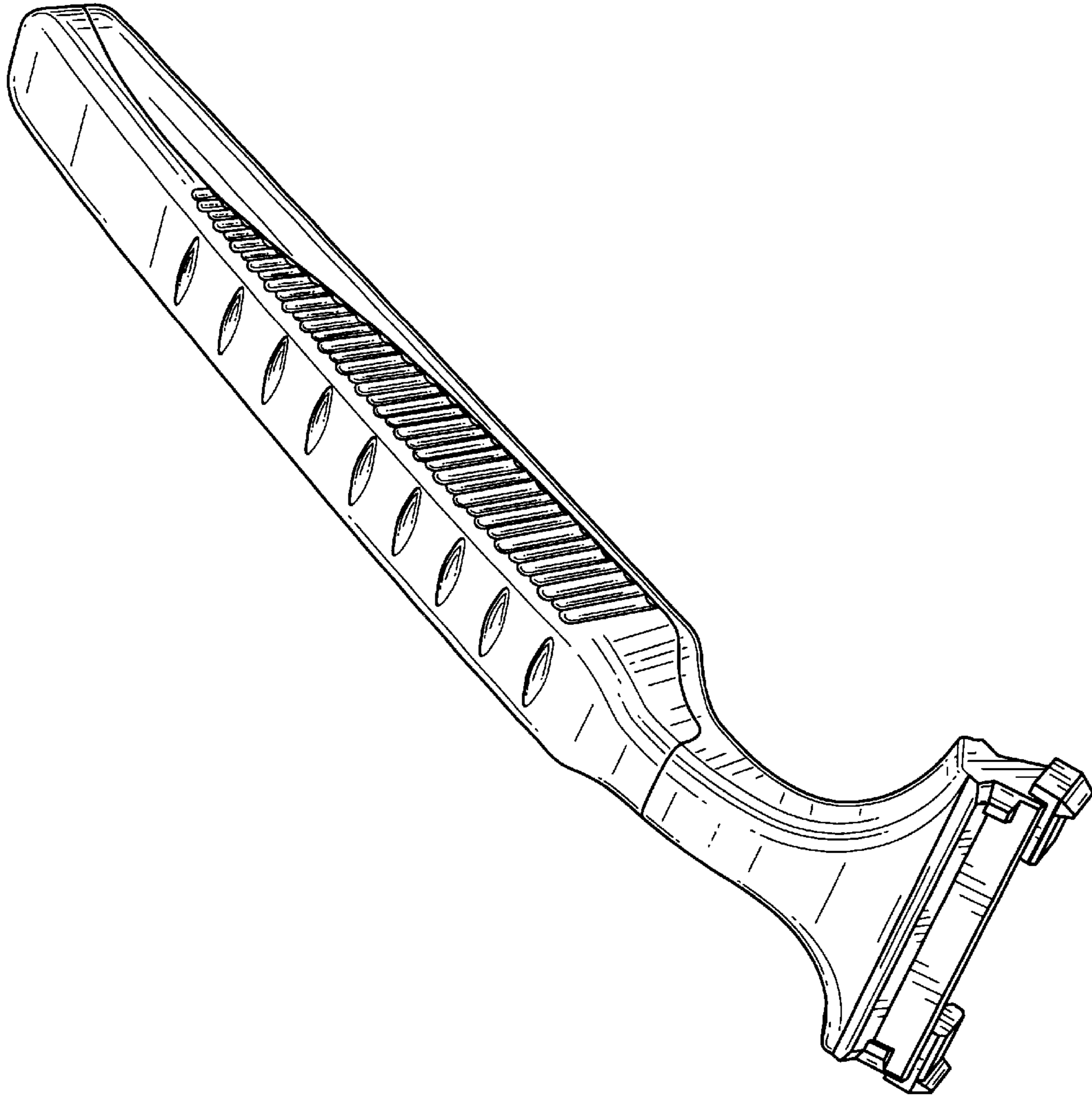


FIG. 1

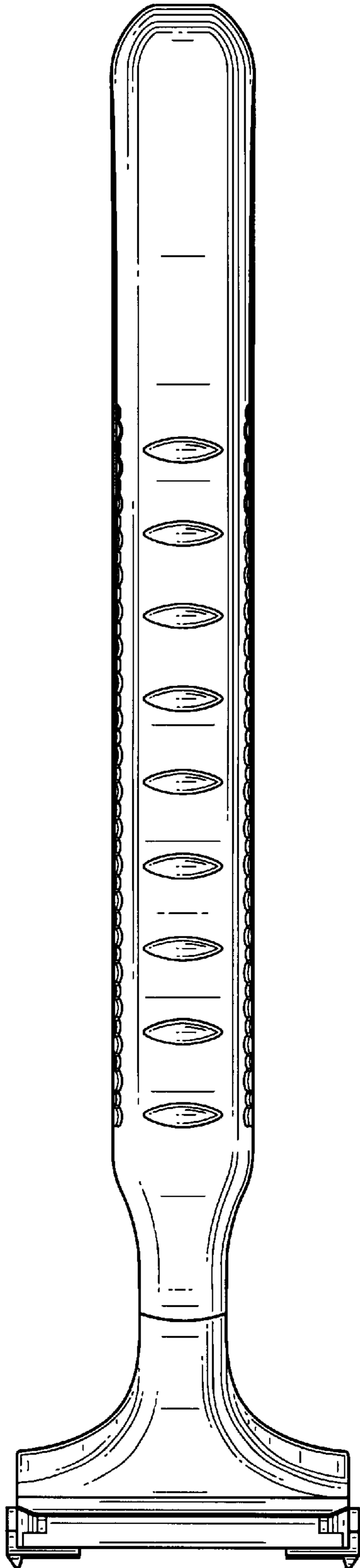


FIG. 2

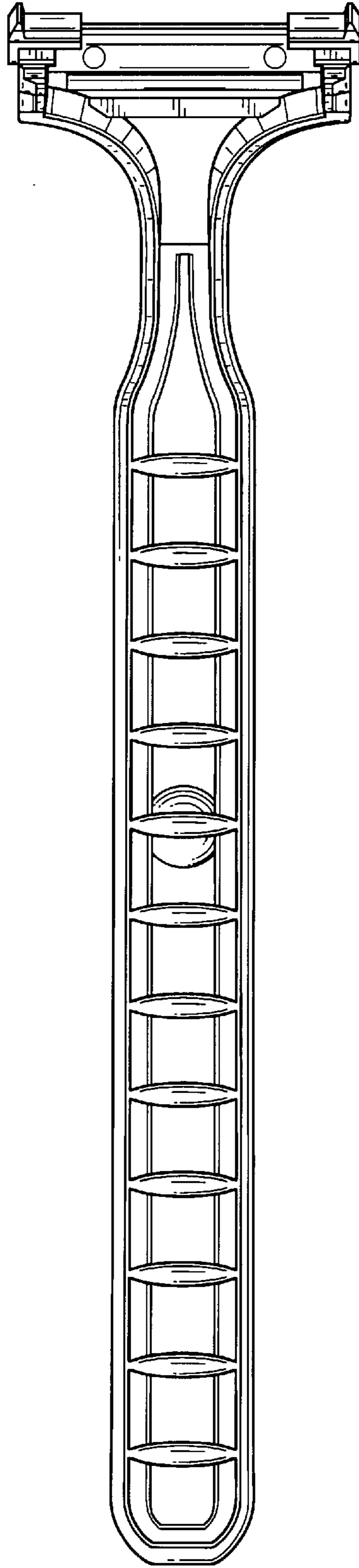


FIG. 3

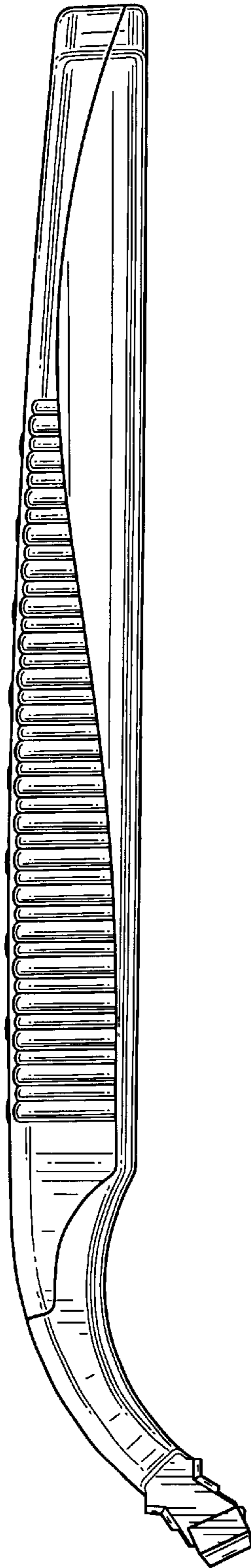


FIG. 4

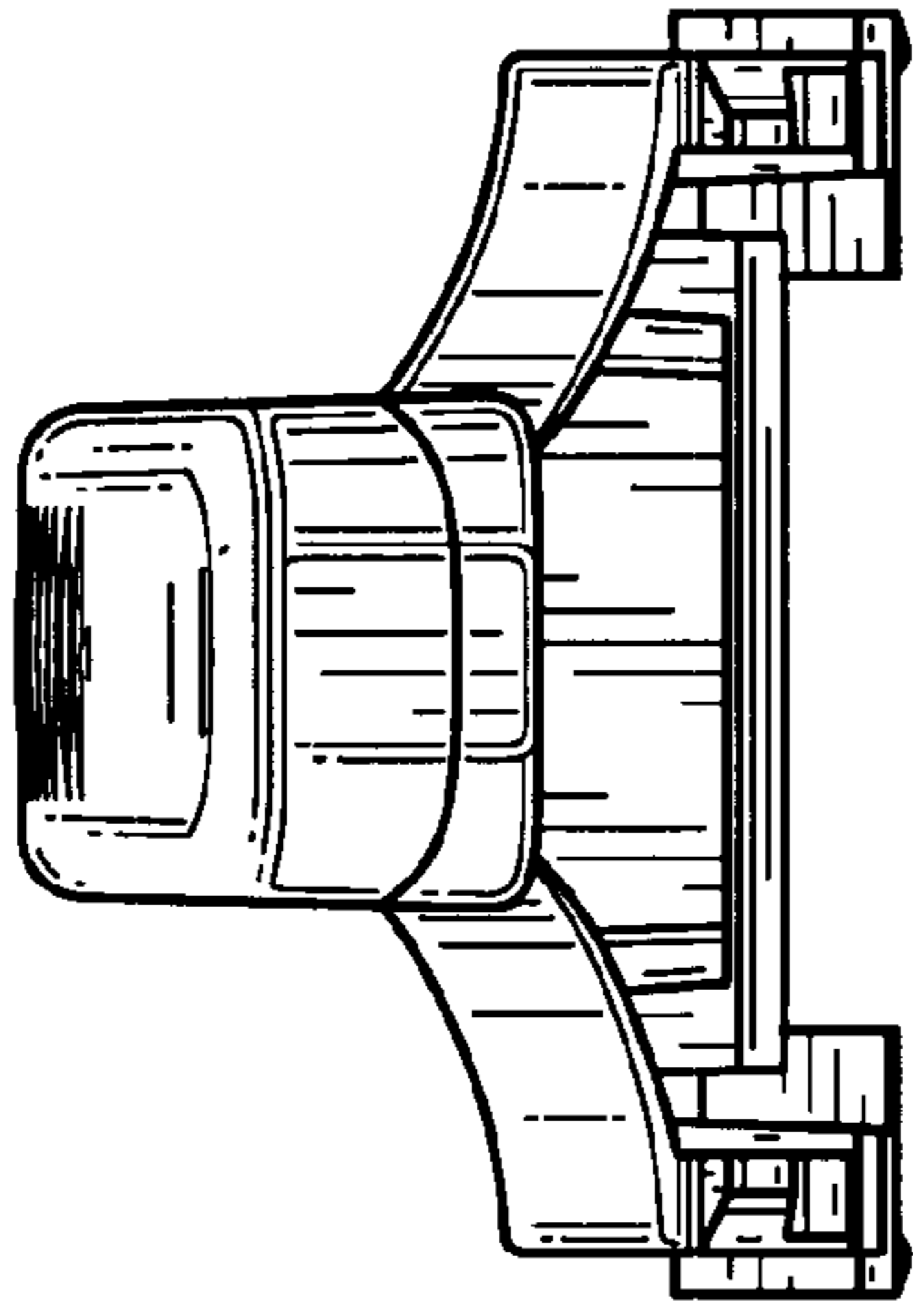


FIG. 5

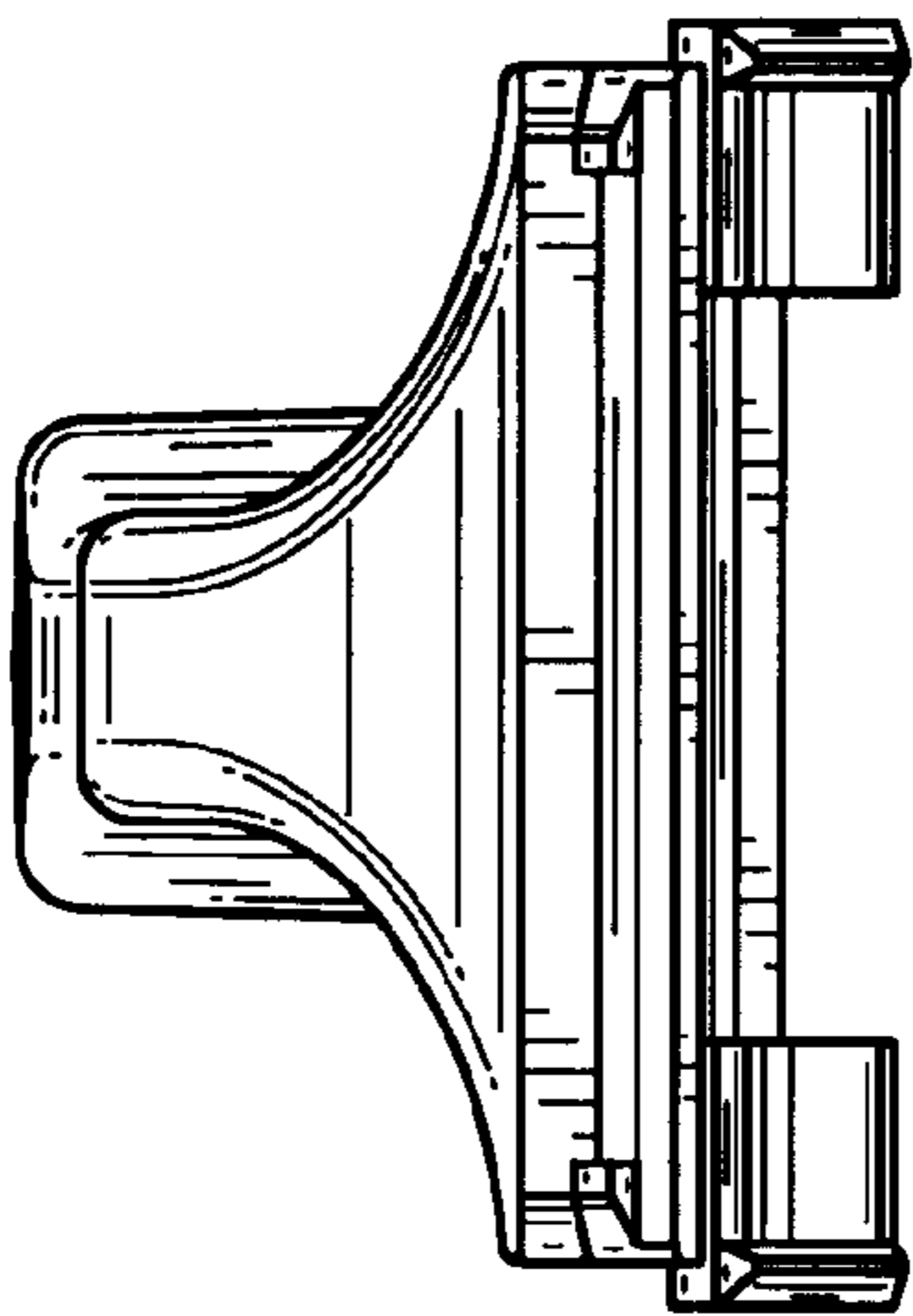


FIG. 6