



US00D457682S

(12) **United States Design Patent**
Angeletta

(10) **Patent No.:** **US D457,682 S**

(45) **Date of Patent:** **** May 21, 2002**

(54) **LIQUID AND LOTION APPLICATOR**

(76) **Inventor:** **Joseph G. Angeletta**, 418 Fifth St.,
Mamaroneck, NY (US) 10543

(**) **Term:** **14 Years**

(21) **Appl. No.:** **29/141,268**

(22) **Filed:** **May 2, 2001**

(51) **LOC (7) Cl.** **28-02**

(52) **U.S. Cl.** **D28/7**

(58) **Field of Search** D28/7, 63; D9/338,
D9/307; D24/119; D4/114, 127, 137, 138,
124, 125; D32/40, 43, 45, 51; 132/320;
15/104.94, 244.1, 244.2; 401/138, 139,
196, 198, 202-207, 263-266, 268, 270-275

(56) **References Cited**

U.S. PATENT DOCUMENTS

D214,387 S	*	6/1969	Holt, Jr.	D4/114
5,322,382 A	*	6/1994	Hull et al.	401/202
D357,810 S	*	5/1995	Evans	D4/114
5,454,659 A	*	10/1995	Vosbikian et al.	401/207
D384,436 S	*	9/1997	Kelley	D28/7

D398,156 S	*	9/1998	Jovaaag	D4/124
5,931,591 A	*	8/1999	McCracken	401/205
D417,033 S	*	11/1999	Sachs et al.	D28/7
D425,706 S	*	5/2000	Calderone	D4/137
D434,525 S	*	11/2000	Angeletta	D28/7
D438,671 S	*	3/2001	Angeletta	D28/7
D445,954 S	*	7/2001	Angeletta	D28/7

* cited by examiner

Primary Examiner—Lucy Lieberman

(74) *Attorney, Agent, or Firm*—Scully, Scott, Murphy & Presser

(57) **CLAIM**

The ornamental design for a liquid and lotion applicator, as shown and described.

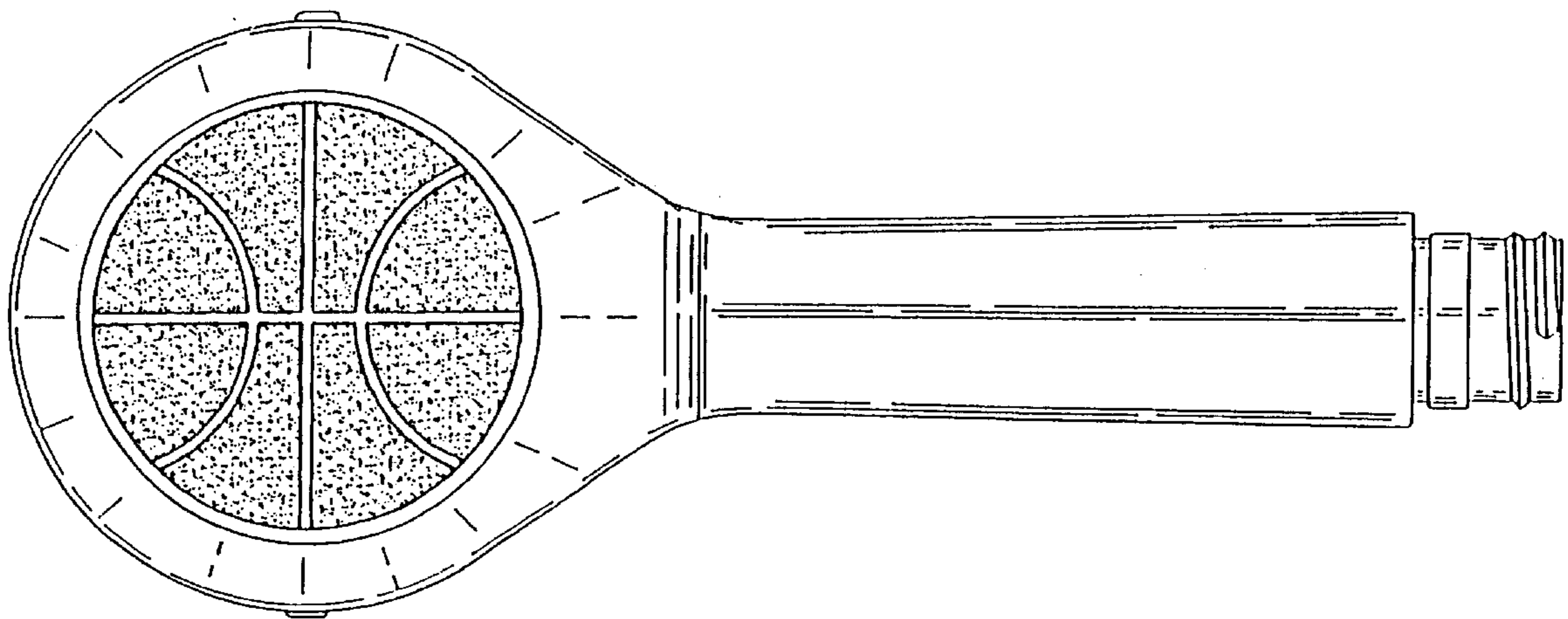
DESCRIPTION

FIG. 1 is a top plan view of a liquid and lotion applicator showing my new design;

FIG. 2 is a side elevation of the liquid and lotion applicator, the opposite side being a mirror image thereto except for the continuous screw threading on the neck; and,

FIG. 3 is a bottom plan view.

1 Claim, 2 Drawing Sheets



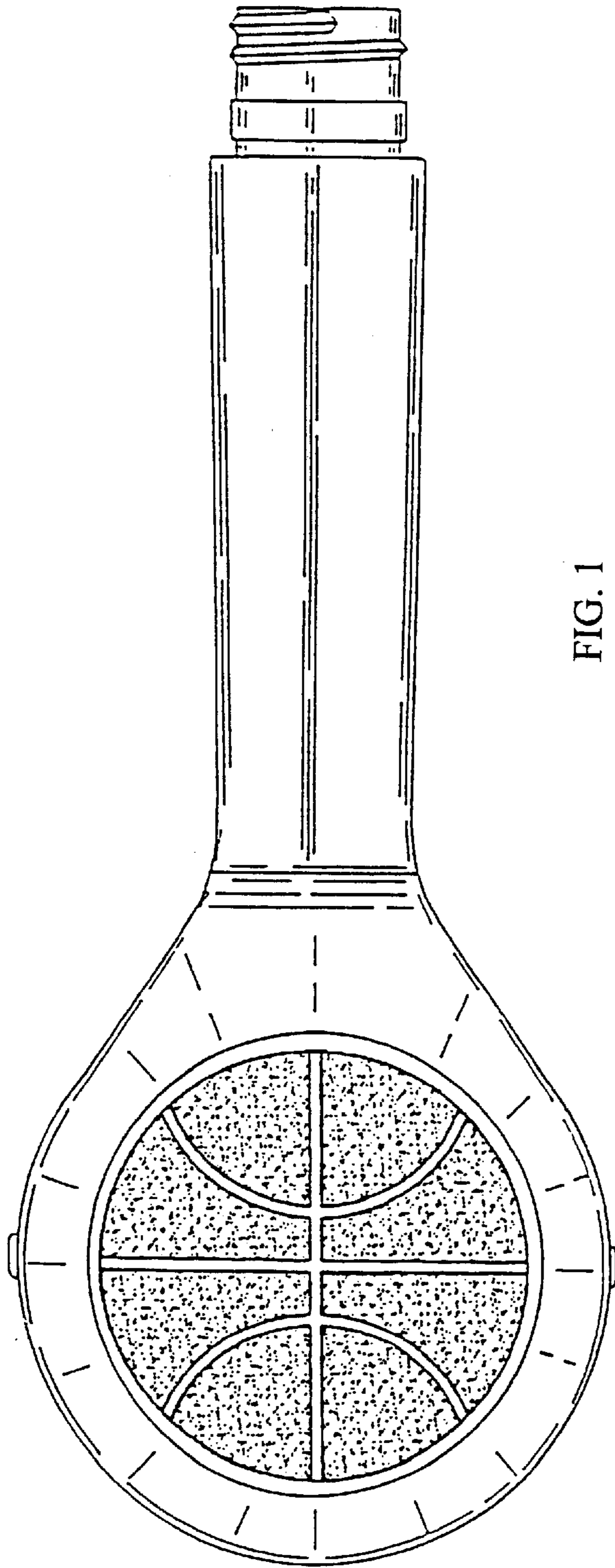


FIG. 1

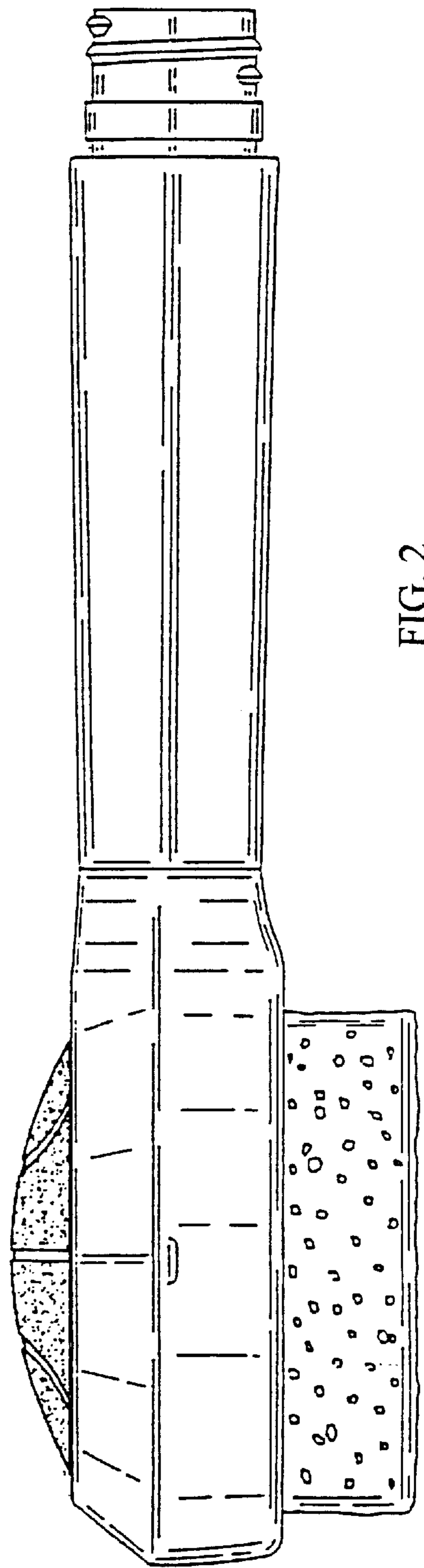


FIG. 2

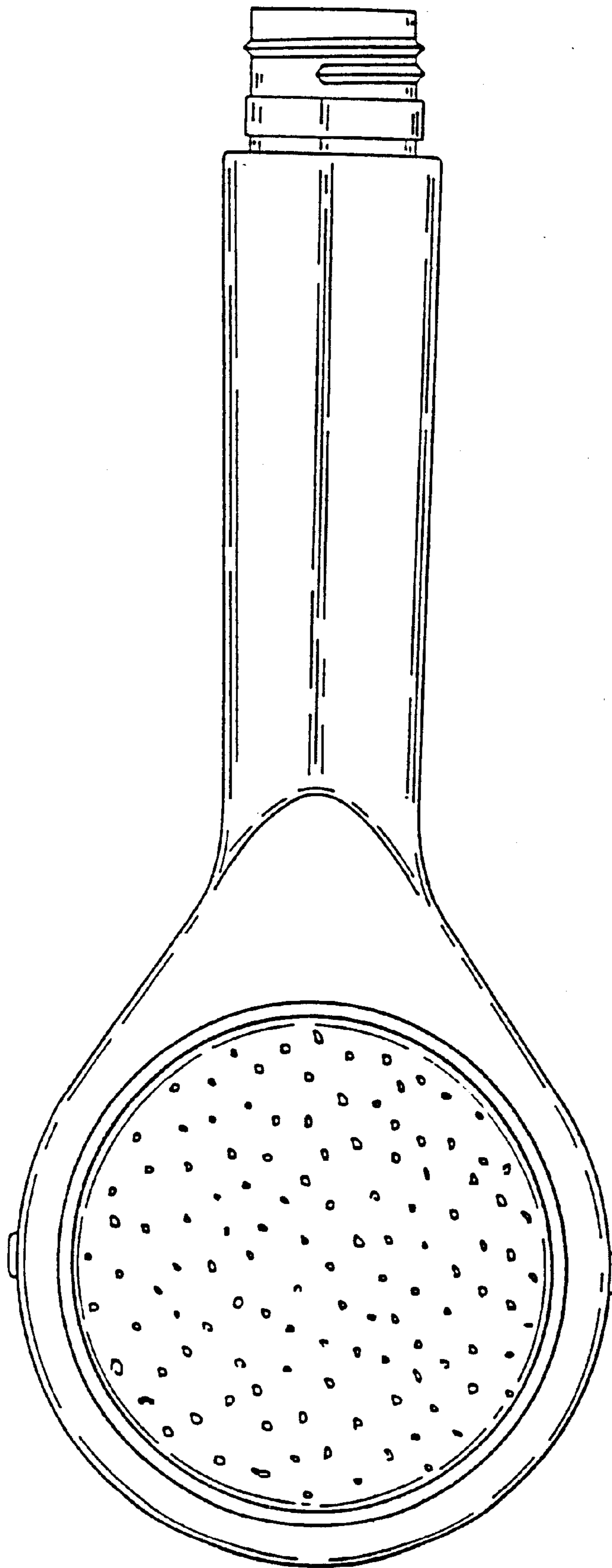


FIG. 3