



US00D457678S

(12) **United States Design Patent**
Yang

(10) **Patent No.:** **US D457,678 S**

(45) **Date of Patent:** **** May 21, 2002**

(54) **WALL LIGHTING FIXTURE**

(76) Inventor: **Che-Li Yang**, P.O. Box No. 6-57,
Chung-Ho City, Taipei Hsien 235 (TW)

(**) Term: **14 Years**

(21) Appl. No.: **29/145,027**

(22) Filed: **Jul. 16, 2001**

(51) **LOC (7) Cl.** **26-03**

(52) **U.S. Cl.** **D26/80**

(58) **Field of Search** D26/72-74, 80-92;
362/147, 432, 363, 367, 368

(56) **References Cited**

U.S. PATENT DOCUMENTS

D446,597 S * 8/2001 Orozco D26/87

OTHER PUBLICATIONS

Progress Lighting Ideas (c) 1990 p. 107 (all).*

Corbett Lighting, Inc. (c) 1994 p. 62 (all).*

Kichler Lighting Catalog#198 (c) 1998 p. 194/K-5273 PB.*

Corbett Wall Sconce lighting brochure (c) 1994 (all).*

* cited by examiner

Primary Examiner—Alan P. Douglas

Assistant Examiner—Clare E. Heflin

(57) **CLAIM**

The ornamental design for a wall lighting fixture, as shown and described.

DESCRIPTION

FIG. 1 is a perspective view thereof;

FIG. 2 is a front view thereof;

FIG. 3 is a back view thereof;

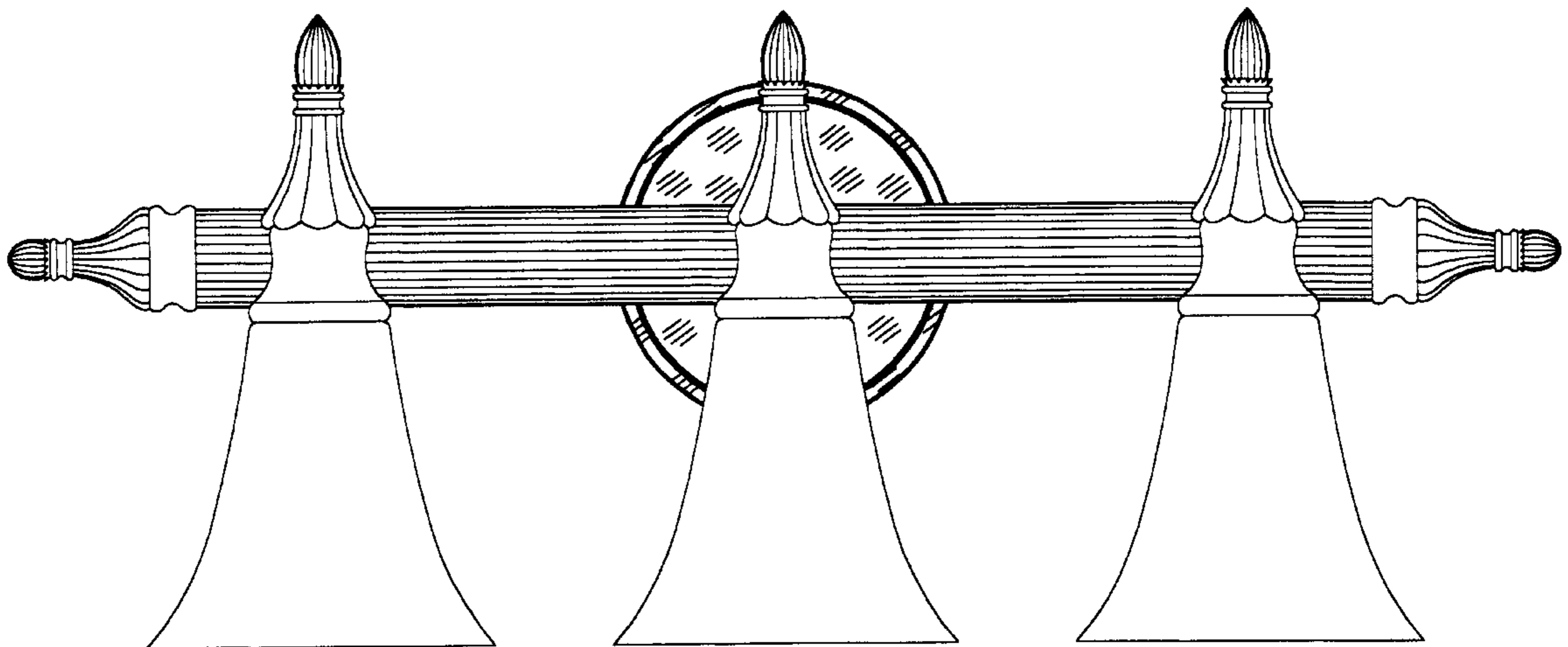
FIG. 4 is a right side view thereof;

FIG. 5 is a left side view thereof;

FIG. 6 is a top view thereof; and,

FIG. 7 is a bottom view thereof.

1 Claim, 7 Drawing Sheets



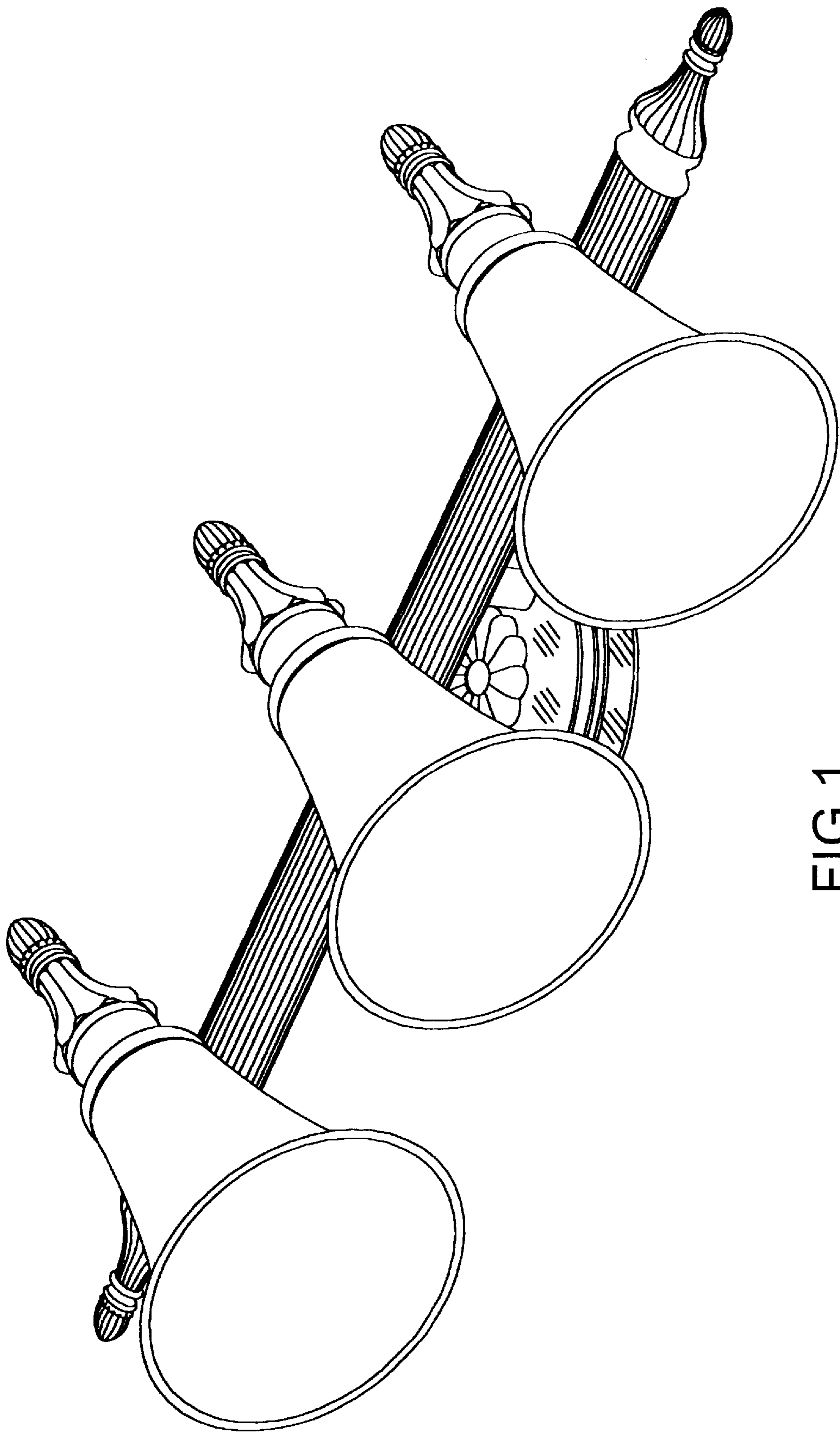


FIG.1

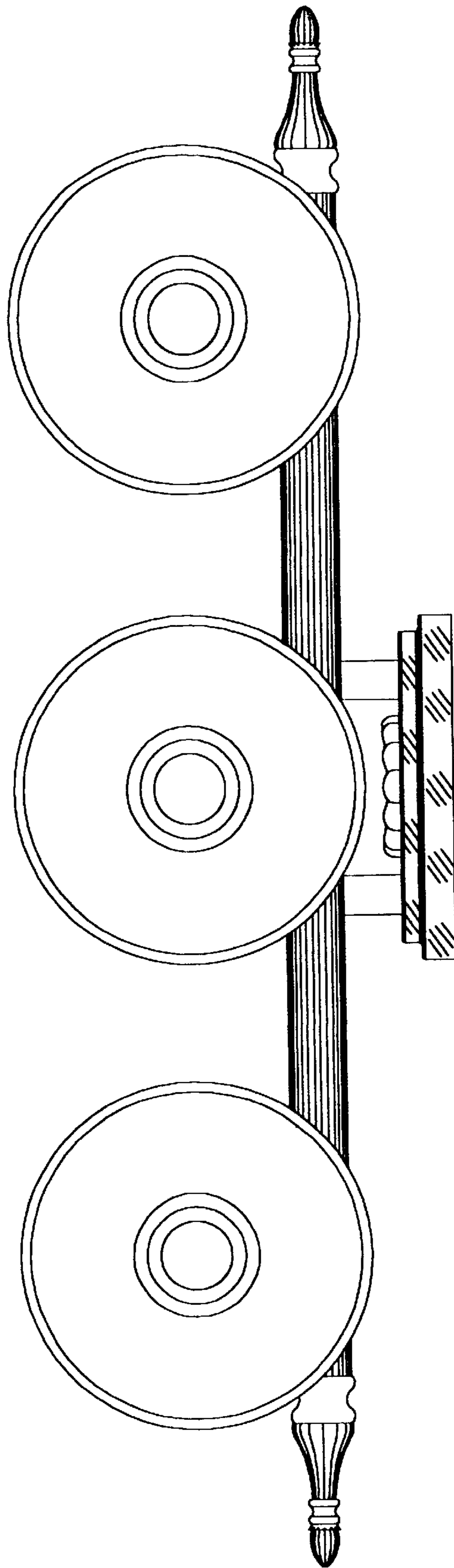


FIG.2

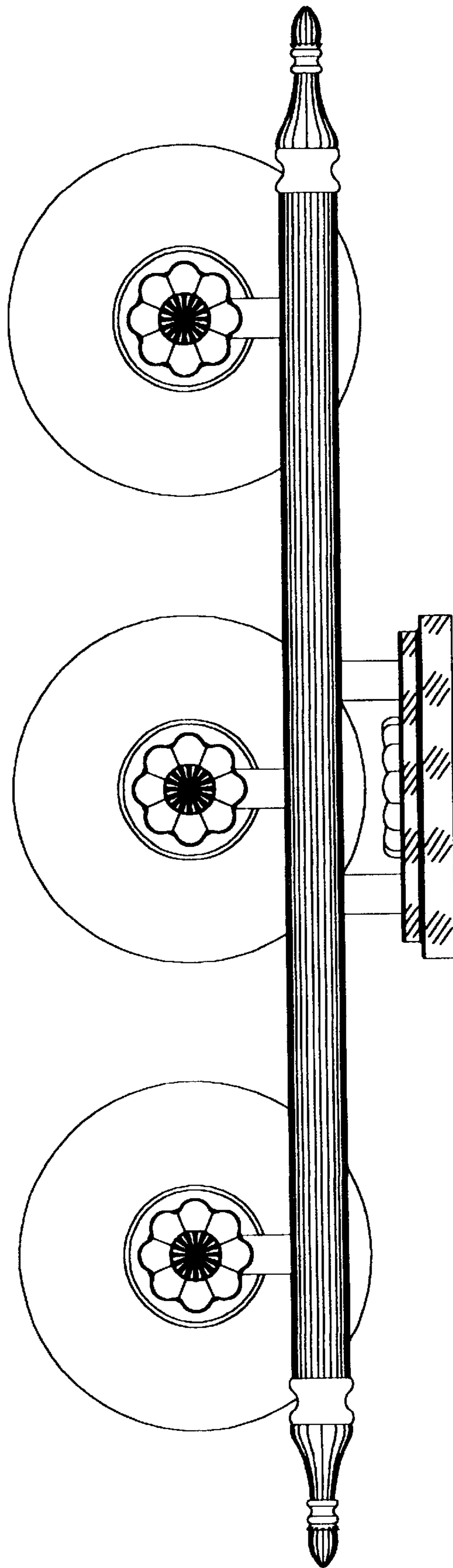


FIG.3

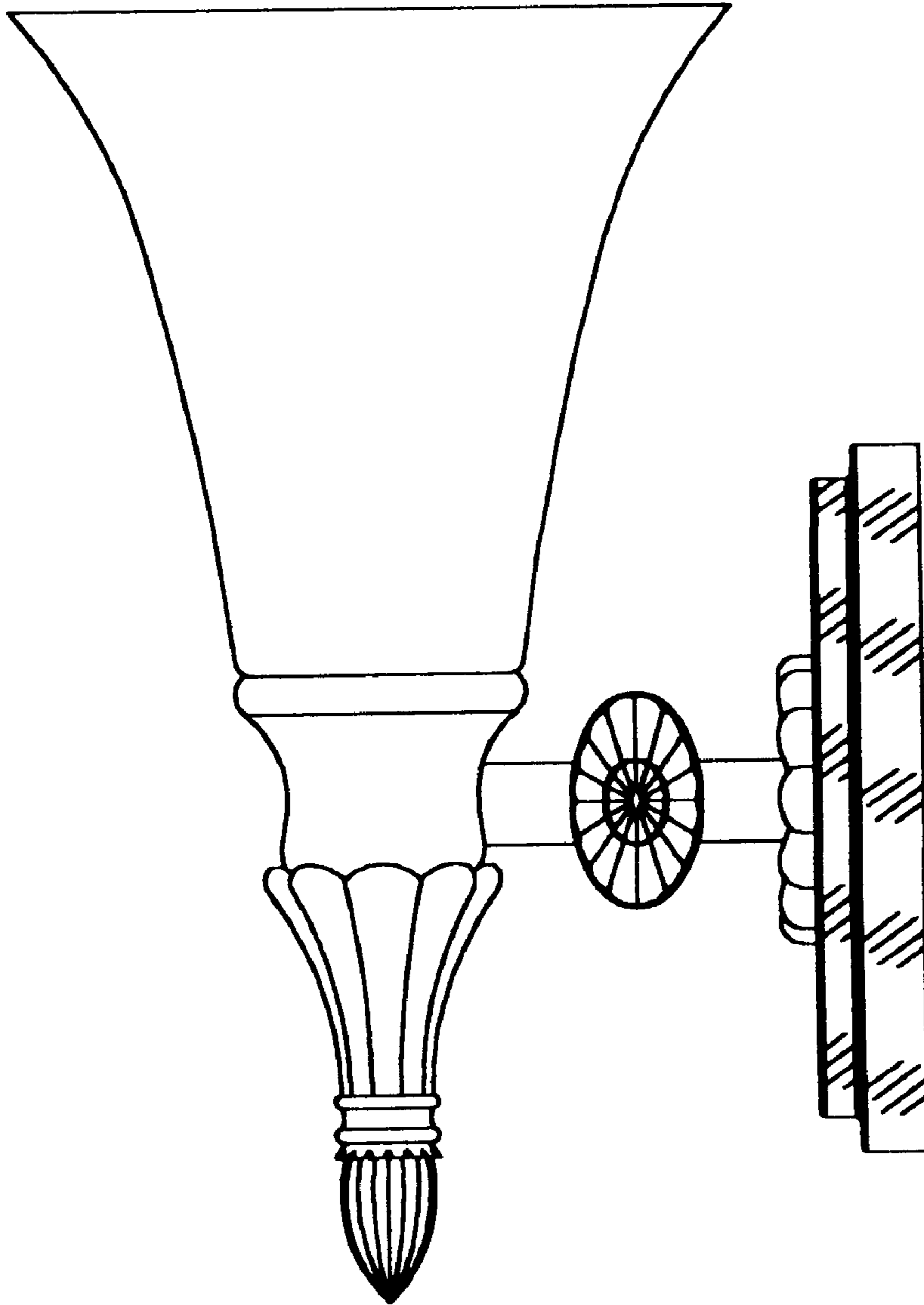


FIG.4

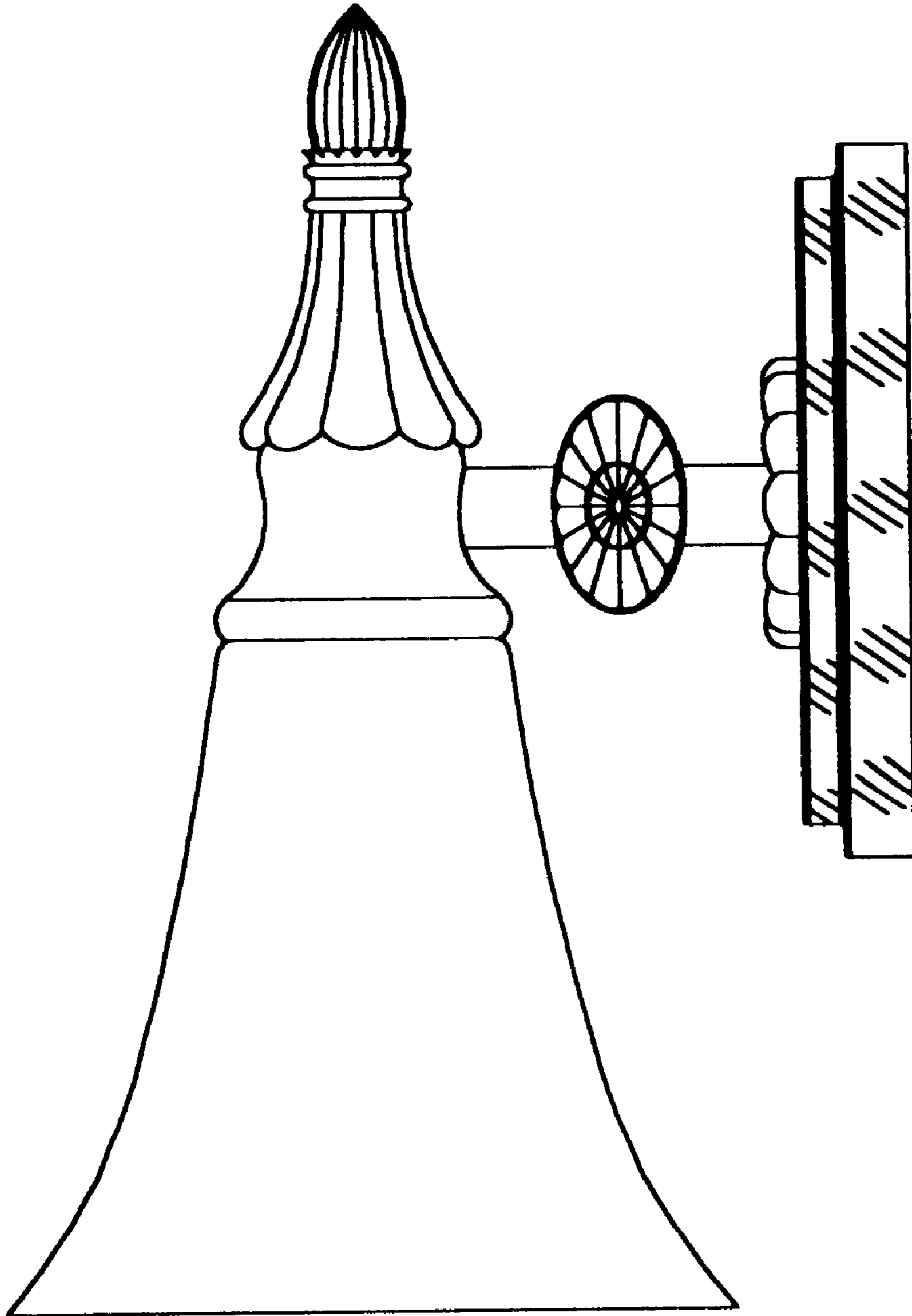


FIG. 5

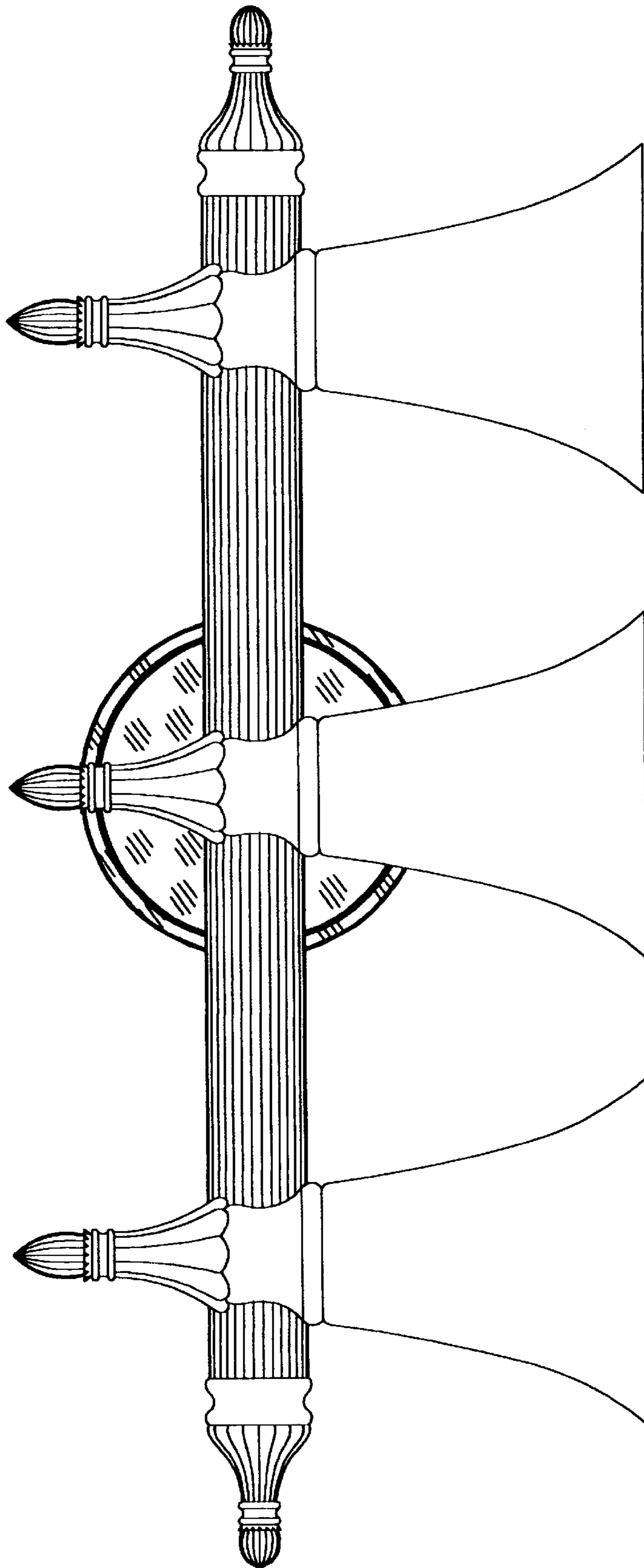


FIG.6

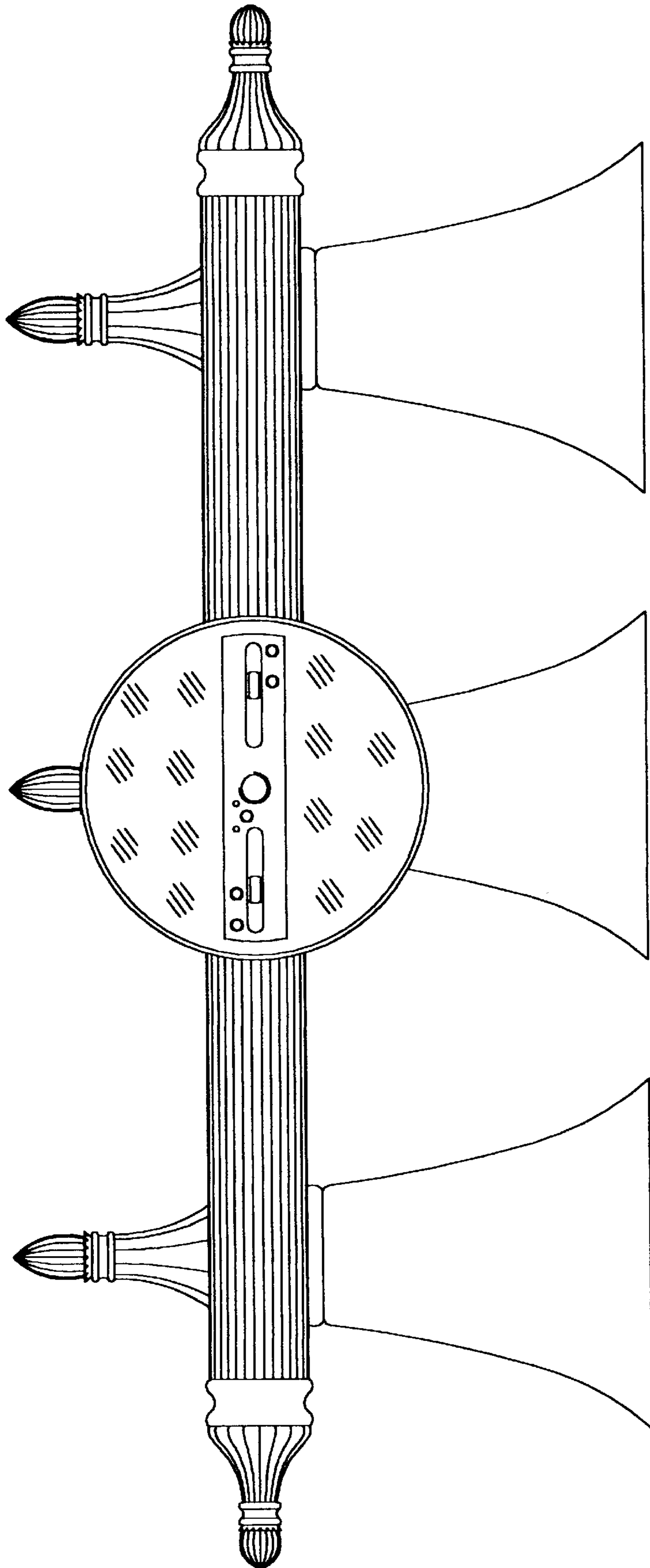


FIG.7