



US00D457672S

(12) **United States Design Patent**
Tsai

(10) **Patent No.:** **US D457,672 S**

(45) **Date of Patent:** **** May 21, 2002**

(54) **TABLE LAMP**

(76) Inventor: **Shu-Huei Tsai**, 17 Floor, No. 177, Sec.
1 Jong-shing Road, Shin-diann City,
Taipei Hsien (TW)

(**) Term: **14 Years**

(21) Appl. No.: **29/147,784**

(22) Filed: **Sep. 5, 2001**

(51) **LOC (7) Cl.** **26-05**

(52) **U.S. Cl.** **D26/62**

(58) **Field of Search** D26/60-66, 93,
D26/102-112; 362/410-414, 418, 419,
427, 269, 275, 287

(56) **References Cited**

U.S. PATENT DOCUMENTS

D408,568 S * 4/1999 Schaak D26/62

D438,318 S * 2/2001 Lo D26/62

* cited by examiner

Primary Examiner—Marcus A. Jackson

(74) *Attorney, Agent, or Firm*—Rabin & Berdo, P.C.

(57) **CLAIM**

The ornamental design for a table lamp, as shown and described.

DESCRIPTION

FIG. 1 is a perspective view of a table lamp showing my new design;

FIG. 2 is a front view thereof;

FIG. 3 is a rear view thereof;

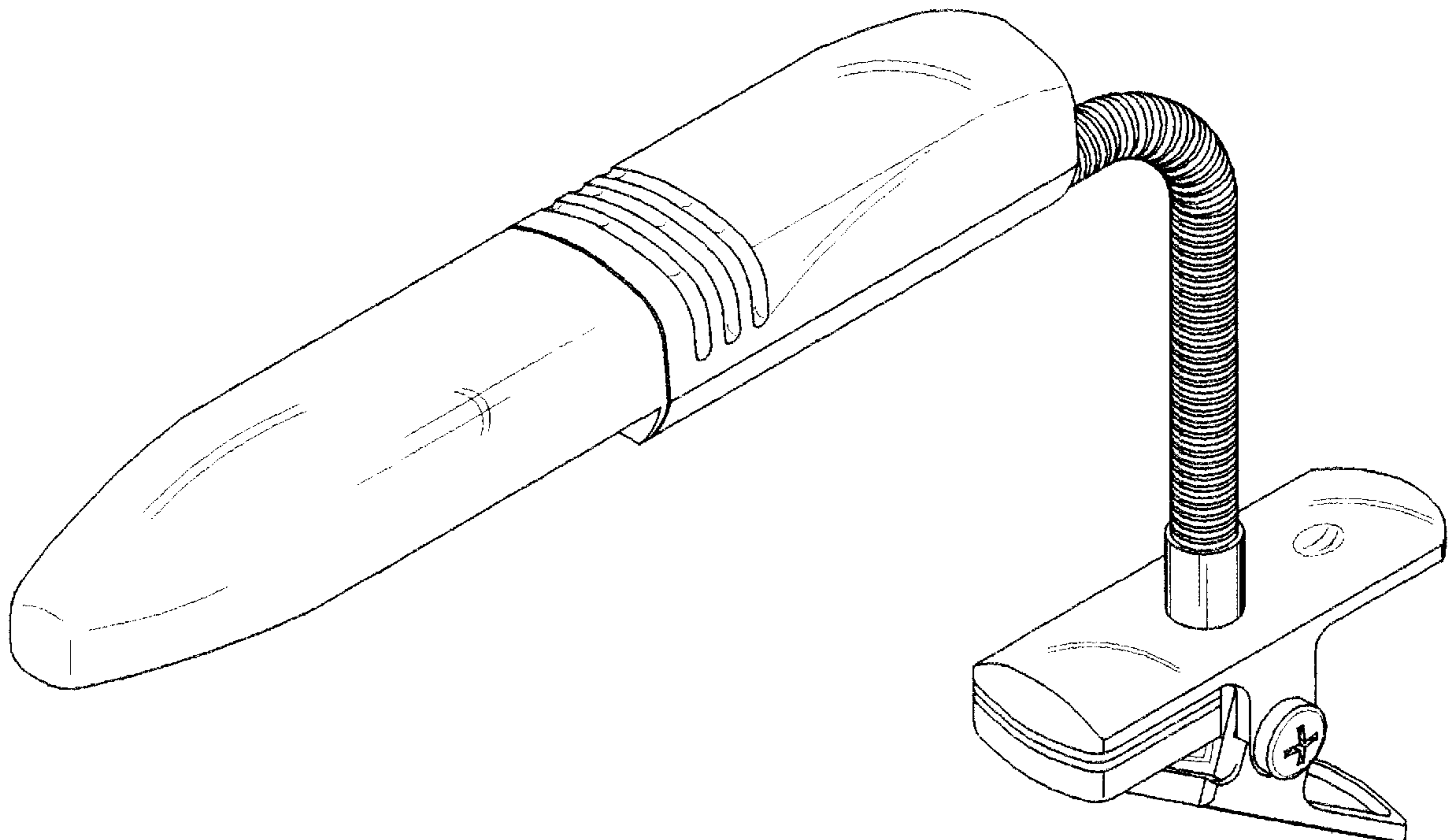
FIG. 4 is a right side view thereof;

FIG. 5 is a left side view thereof;

FIG. 6 is a top view thereof; and,

FIG. 7 is a bottom view thereof.

1 Claim, 5 Drawing Sheets



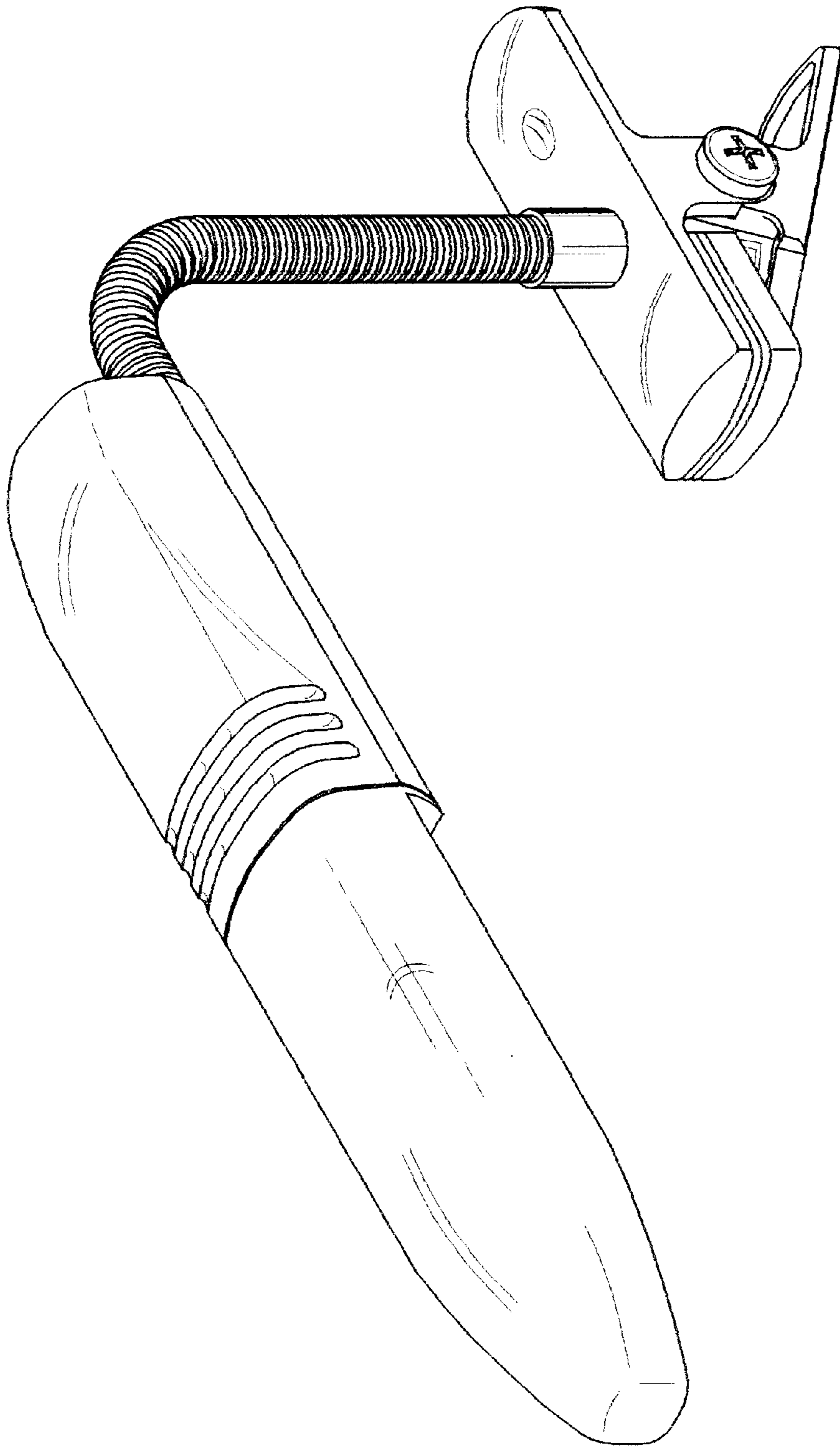


FIG. 1

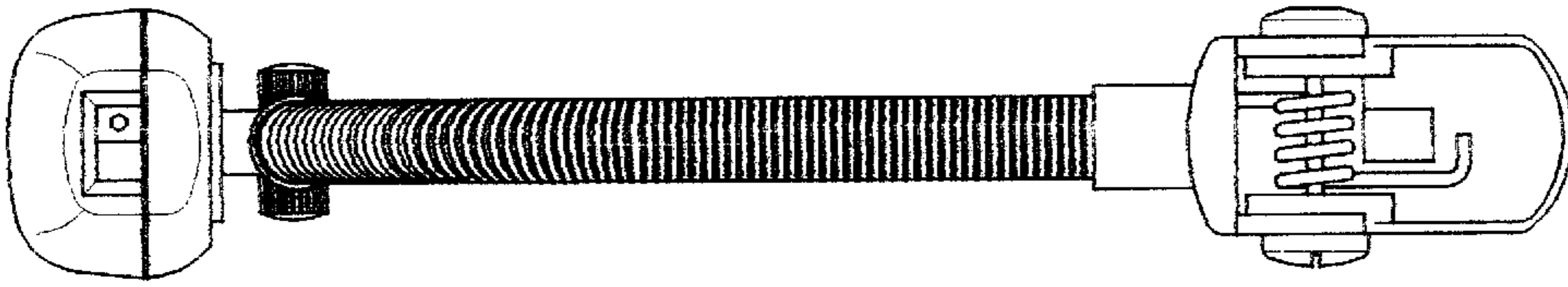


FIG. 3

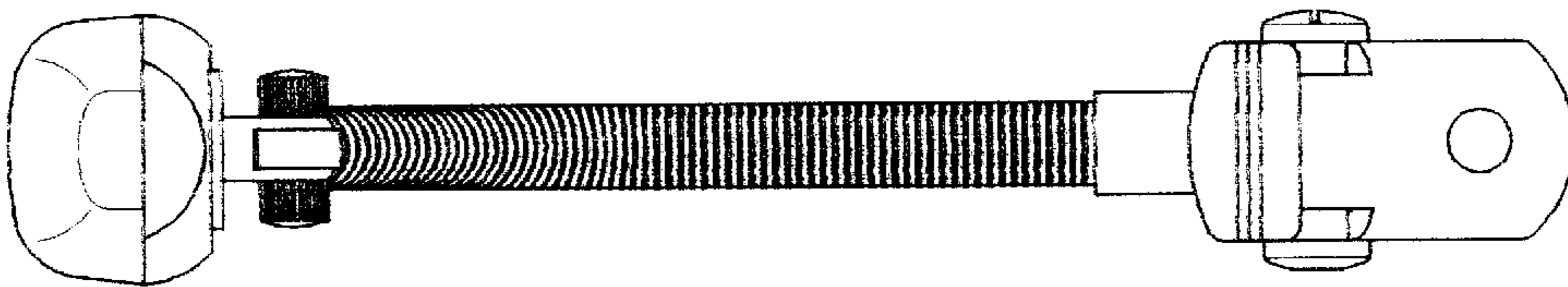


FIG. 2

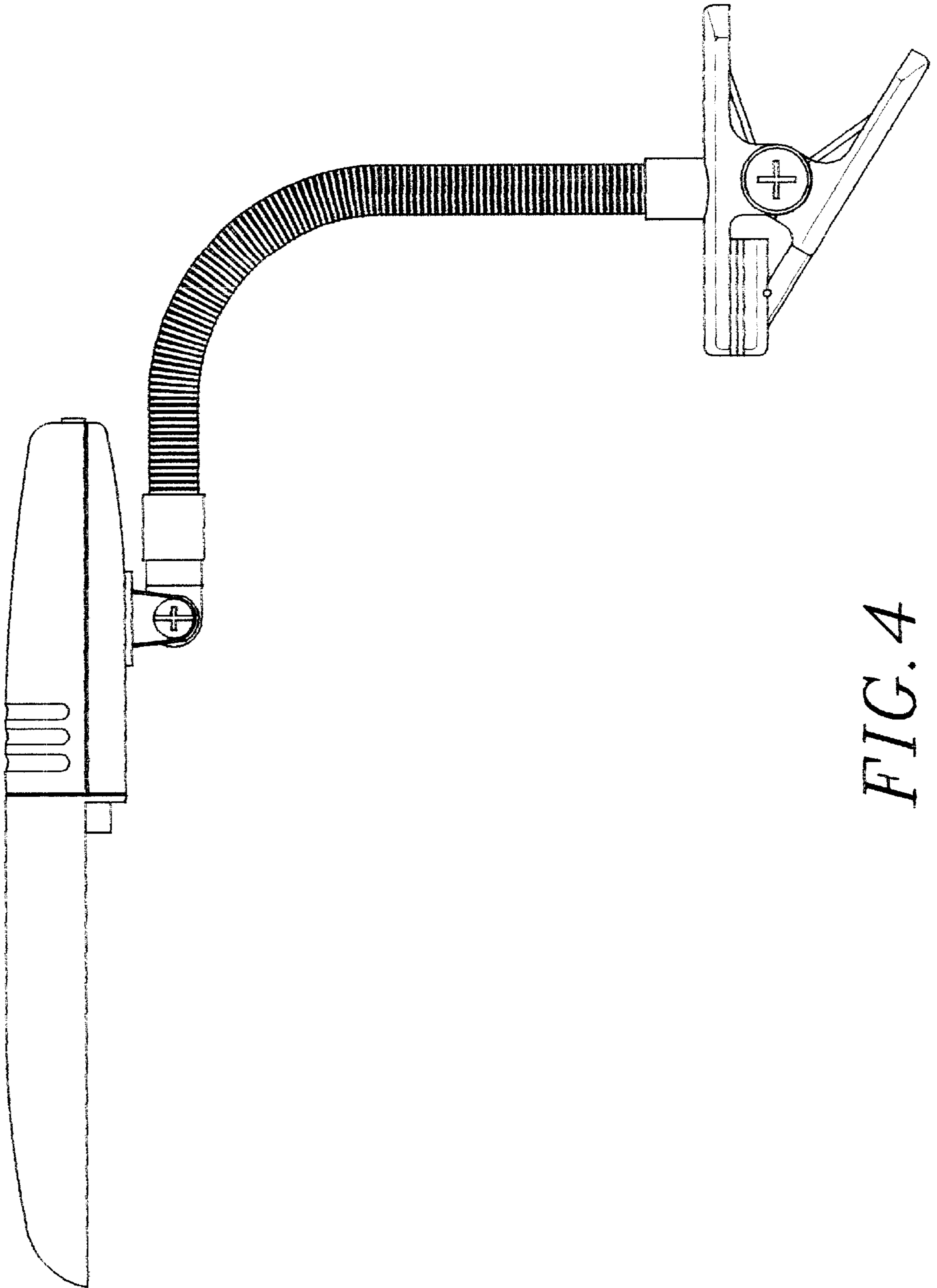


FIG. 4

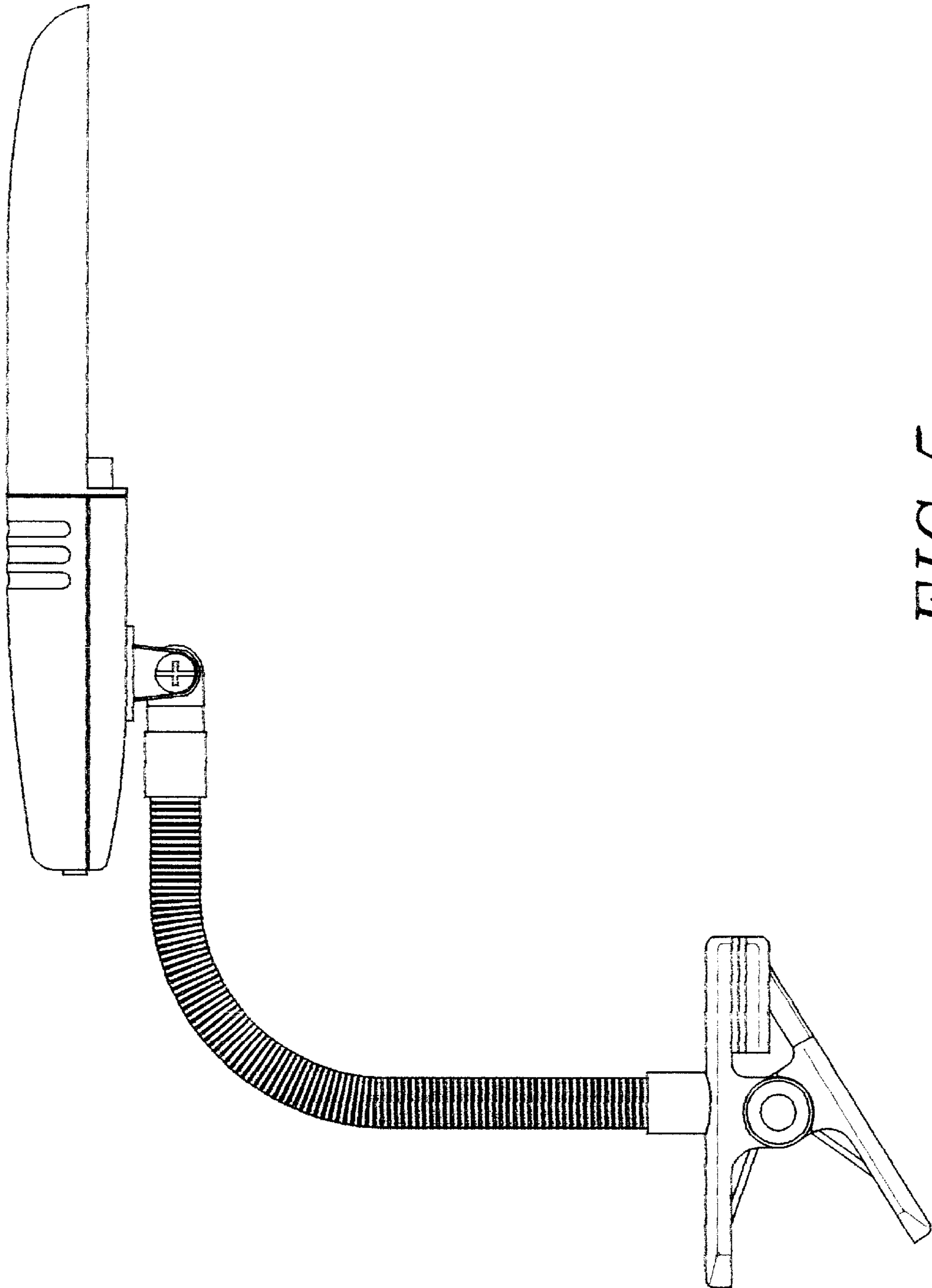


FIG. 5

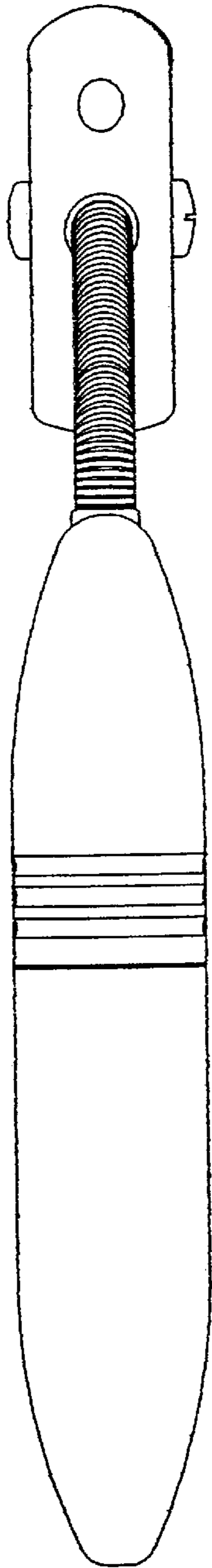


FIG. 6

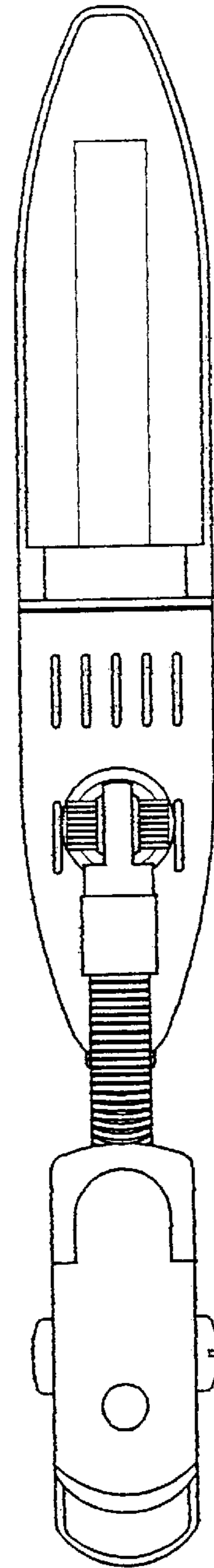


FIG. 7