



US00D457664S

(12) **United States Design Patent**
Moriyama et al.

(10) **Patent No.:** **US D457,664 S**

(45) **Date of Patent:** **** May 21, 2002**

(54) **LAMP DEVICE**

(75) Inventors: **Hideo Moriyama; Masayuki Katogi; Kanji Tajima**, all of Tokyo (JP)

(73) Assignee: **Moriyama Sangyo Kabushiki Kaisha**, Tokyo (JP)

(**) Term: **14 Years**

(21) Appl. No.: **29/148,761**

(22) Filed: **Sep. 26, 2001**

(51) **LOC (7) Cl.** **26-06**

(52) **U.S. Cl.** **D26/3**

(58) **Field of Search** D26/1, 2, 3, 4;
313/313, 318, 485, 493, 567, 569, 578,
579, 570, 580

(56) **References Cited**

U.S. PATENT DOCUMENTS

D354,360 S	*	1/1995	Murata	D26/3
D384,428 S	*	9/1997	Sato et al.	D26/3
D400,987 S	*	11/1998	Sato et al.	D26/3
D418,936 S	*	1/2000	Dunning	D26/76
D448,499 S	*	9/2001	Choi	D26/3

* cited by examiner

Primary Examiner—Marcus A. Jackson

(74) *Attorney, Agent, or Firm*—Marshall & Melhorn, LLC

(57) **CLAIM**

The ornamental design for a lamp device, as shown and described.

DESCRIPTION

FIG. 1 is a perspective view of a lamp device showing our new design;

FIG. 2 is a front view thereof;

FIG. 3 is a back view thereof;

FIG. 4 is a top plan view thereof;

FIG. 5 is a bottom plan view thereof;

FIG. 6 is a right side view thereof, the left side view being identical to the right side view;

FIG. 7 is a longitudinal cross-sectional view thereof taken along the lines VII—VII in FIG. 4, with the LED lamps and other component parts within the cylindrical cover being shown not cross-sectioned;

FIG. 8 is an enlarged view of a part of FIG. 7 showing the left end part of the lamp device; and,

FIG. 9 is a cross-sectional view thereof taken along the lines IX—IX in FIG. 8.

1 Claim, 4 Drawing Sheets

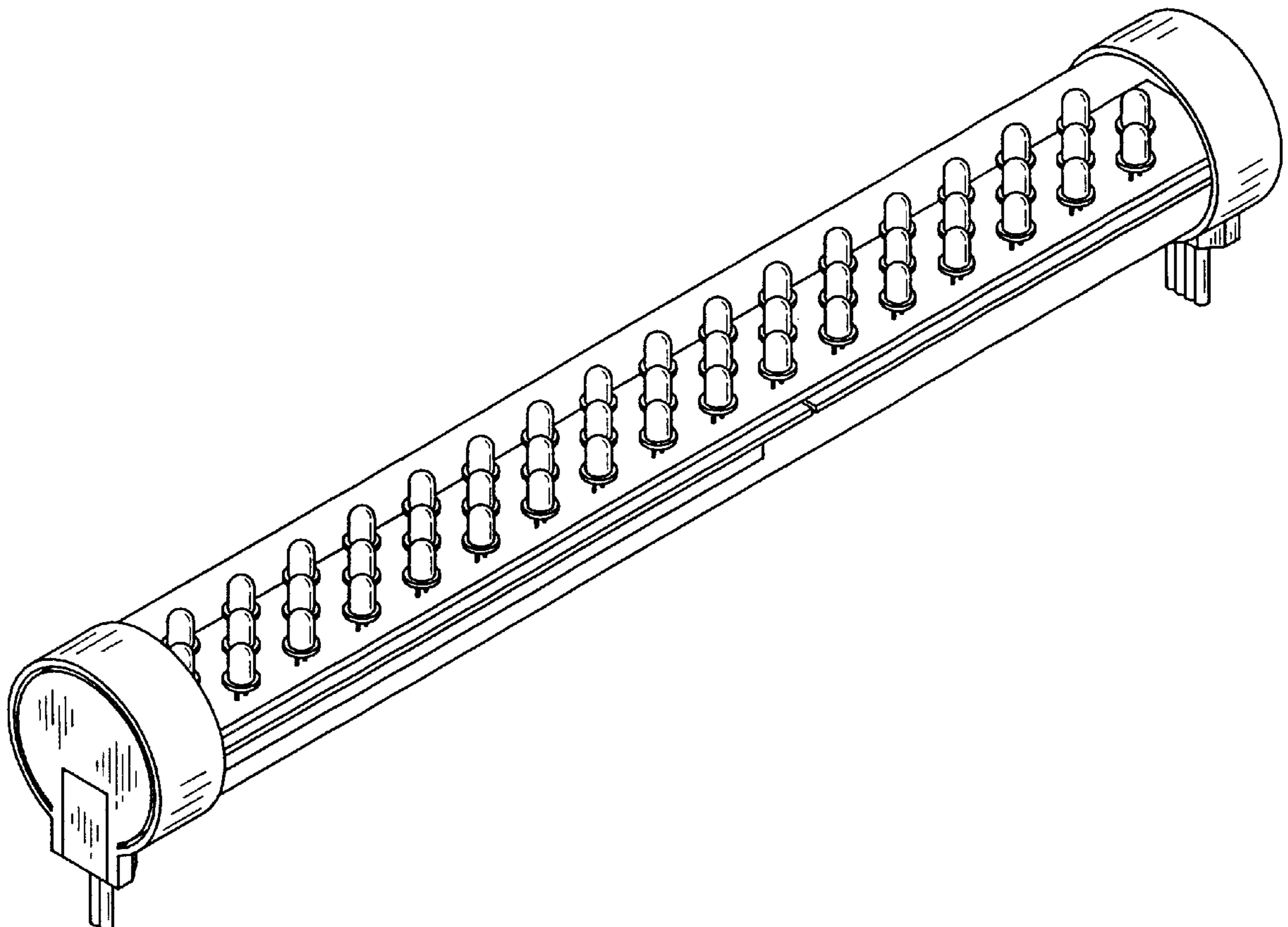


Fig. 1

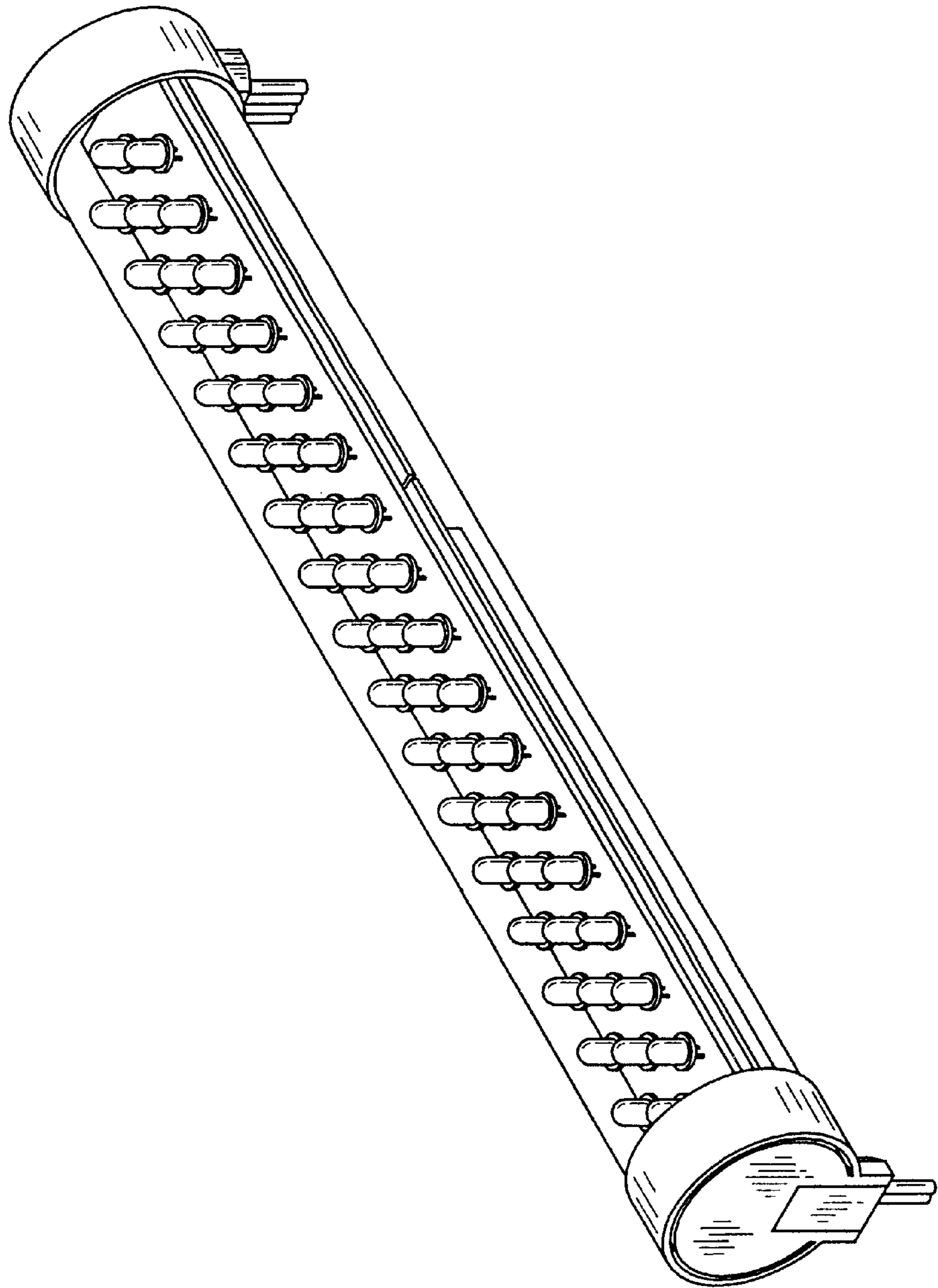


Fig. 2

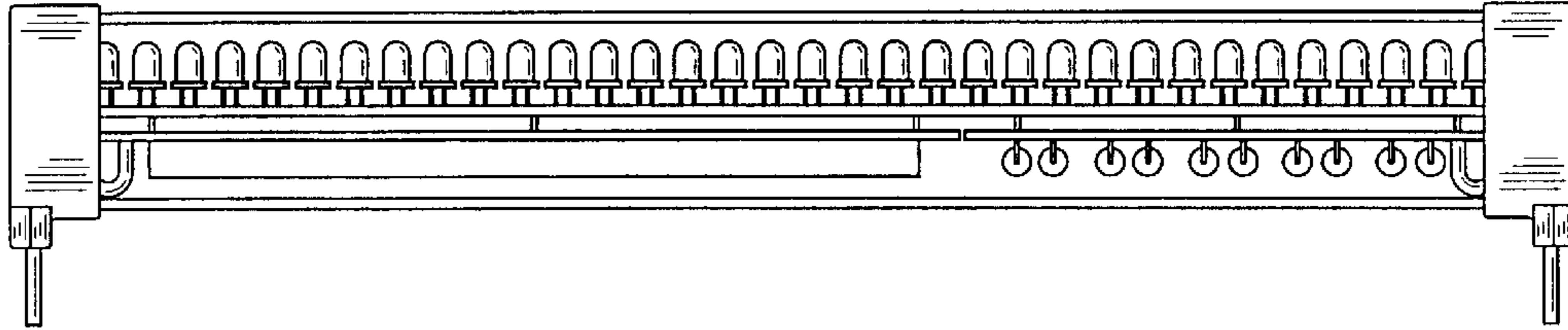


Fig. 3

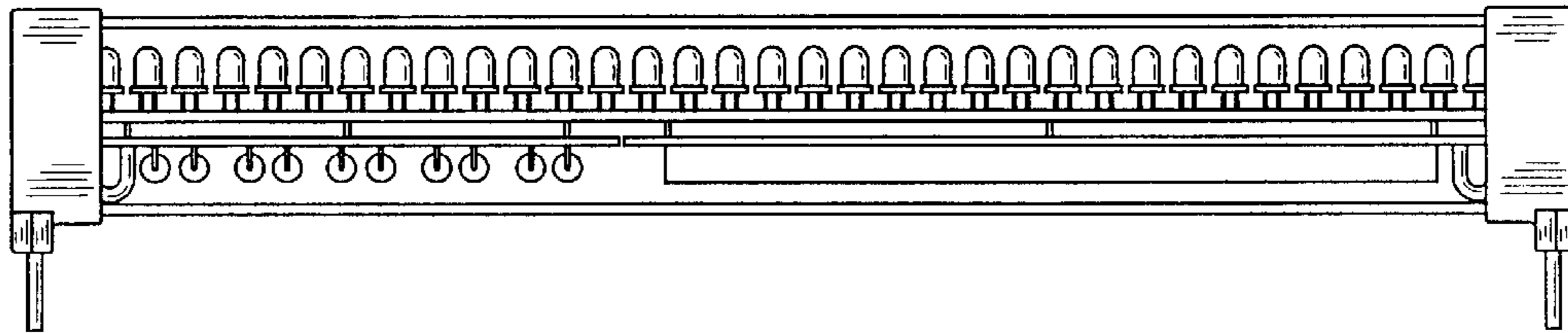


Fig. 4

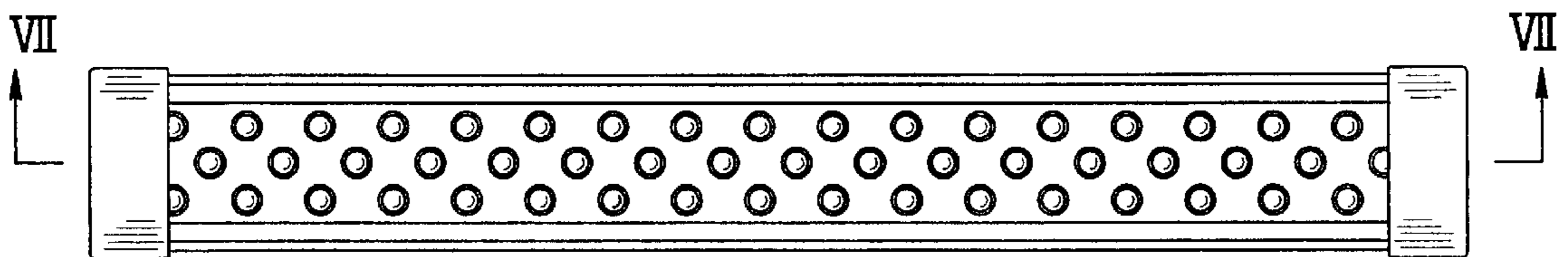


Fig. 5

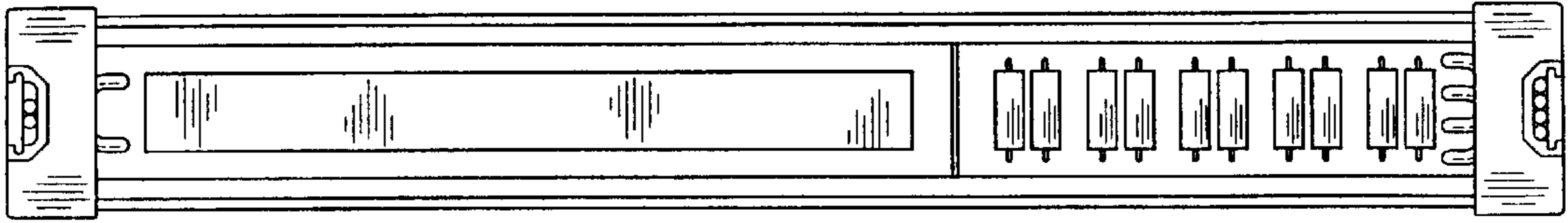


Fig. 6

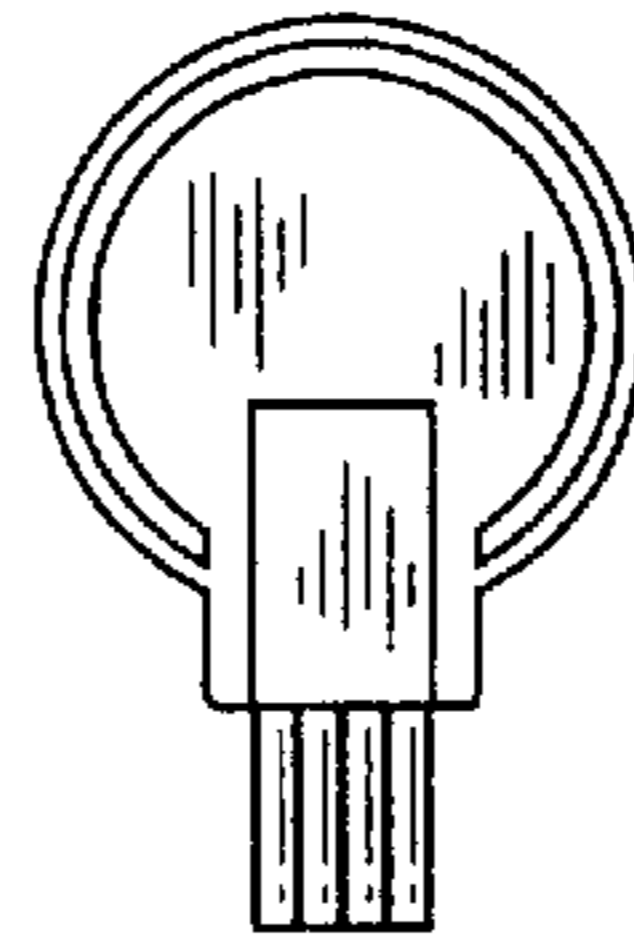


Fig. 7

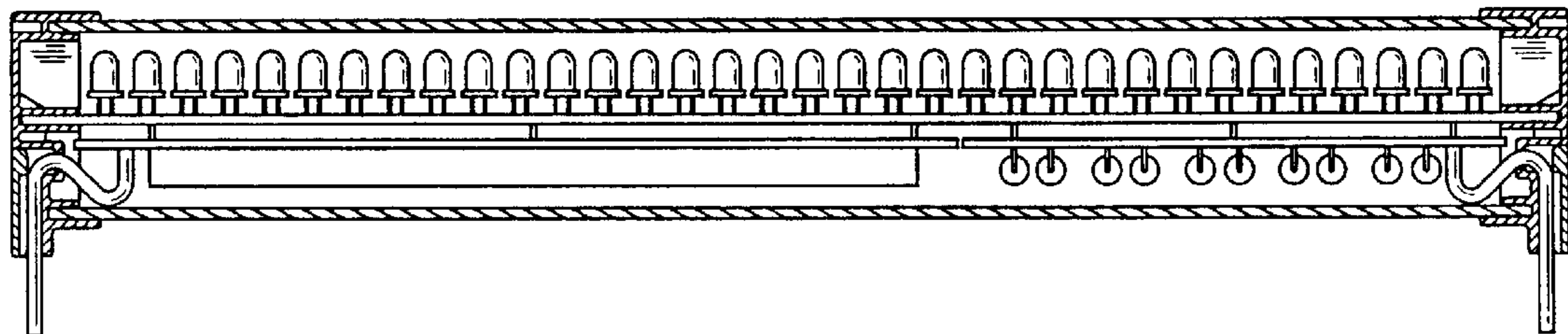


Fig. 8

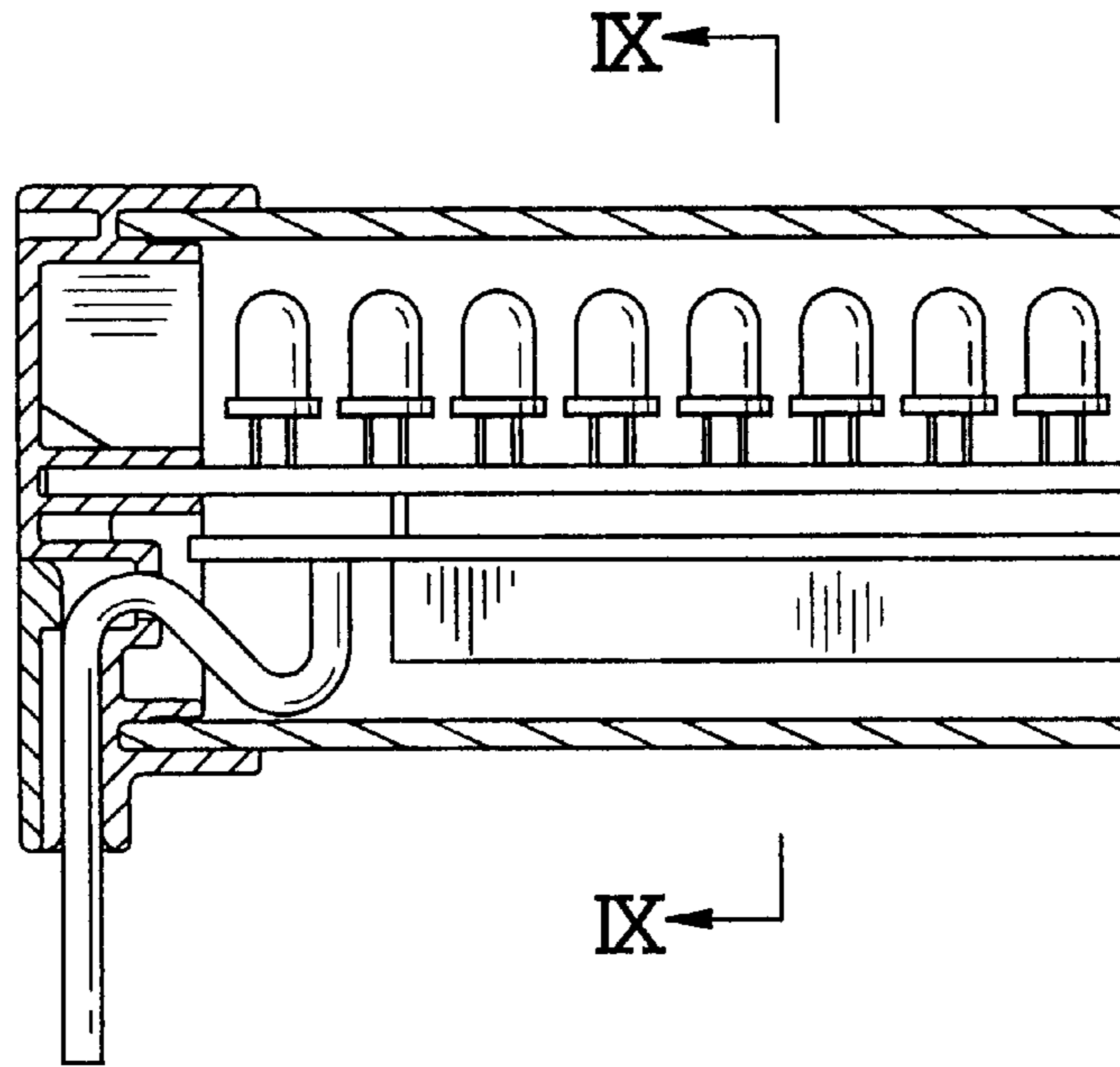


Fig. 9

