



US00D457659S

(12) **United States Design Patent**
Marshall

(10) **Patent No.:** **US D457,659 S**

(45) **Date of Patent:** **** May 21, 2002**

(54) **WINDOW COMPONENT EXTRUSION**

(75) Inventor: **Philip Marshall**, Pittsburgh, PA (US)

(73) Assignee: **Chelsea Building Products, Inc.**,
Oakmont, PA (US)

(**) Term: **14 Years**

(21) Appl. No.: **29/131,140**

(22) Filed: **Oct. 13, 2000**

(51) **LOC (7) Cl.** **25-01**

(52) **U.S. Cl.** **D25/124**

(58) **Field of Search** D25/119-125,
D25/60, 52; 49/DIG. 2, 504, 505, 404,
413, 419, 407-408; 52/204.56, 204.51,
230.3, 205.1, 202, 730.5, 731.2, 732.1,
738.1, 204.5

(56) **References Cited**

U.S. PATENT DOCUMENTS

- 4,831,781 A 5/1989 Morton
- 4,941,288 A 7/1990 Morton
- D325,987 S * 5/1992 Valentin D25/124
- 5,136,814 A 8/1992 Headrick
- D333,876 S 3/1993 Cole
- D333,877 S 3/1993 Cole
- D342,796 S 12/1993 Cole
- D342,797 S 12/1993 Cole
- 5,273,258 A 12/1993 Bedics
- D343,463 S 1/1994 Cole
- D345,019 S 3/1994 Cole
- D351,666 S 10/1994 Cole
- D354,573 S 1/1995 Hosseini
- 5,426,894 A 6/1995 Headrick
- D366,320 S 1/1996 Hosseini
- 5,524,391 A 6/1996 Joffe et al.
- D384,170 S 9/1997 Franson
- D388,188 S 12/1997 Goss
- D388,521 S 12/1997 Porter et al.

- D388,890 S 1/1998 Lockbeam
- D392,395 S 3/1998 Porter et al.
- D394,117 S 5/1998 Goss
- D394,120 S 5/1998 Goss
- D401,359 S 11/1998 Porter et al.
- D402,055 S * 12/1998 Leonelli D25/124
- D406,653 S 3/1999 Morton et al.
- D406,654 S 3/1999 Morton et al.
- D406,655 S 3/1999 Morton et al.
- D406,656 S 3/1999 Stammen
- D406,657 S 3/1999 Morton et al.
- D406,658 S 3/1999 Chaney et al.
- D406,659 S 3/1999 Chaney et al.
- D406,660 S 3/1999 Morton et al.
- D406,661 S 3/1999 Morton et al.
- D406,662 S 3/1999 Morton et al.
- D406,663 S 3/1999 Morton et al.
- D417,510 S 12/1999 Tyra
- D417,511 S 12/1999 Tyra
- D418,925 S 1/2000 Franson
- D420,151 S 2/2000 Franson
- D424,712 S 5/2000 Siudzinski
- 6,055,782 A 5/2000 Morton et al.

* cited by examiner

Primary Examiner—Doris Clark

(74) *Attorney, Agent, or Firm*—Buchanan Ingersoll, P.C.

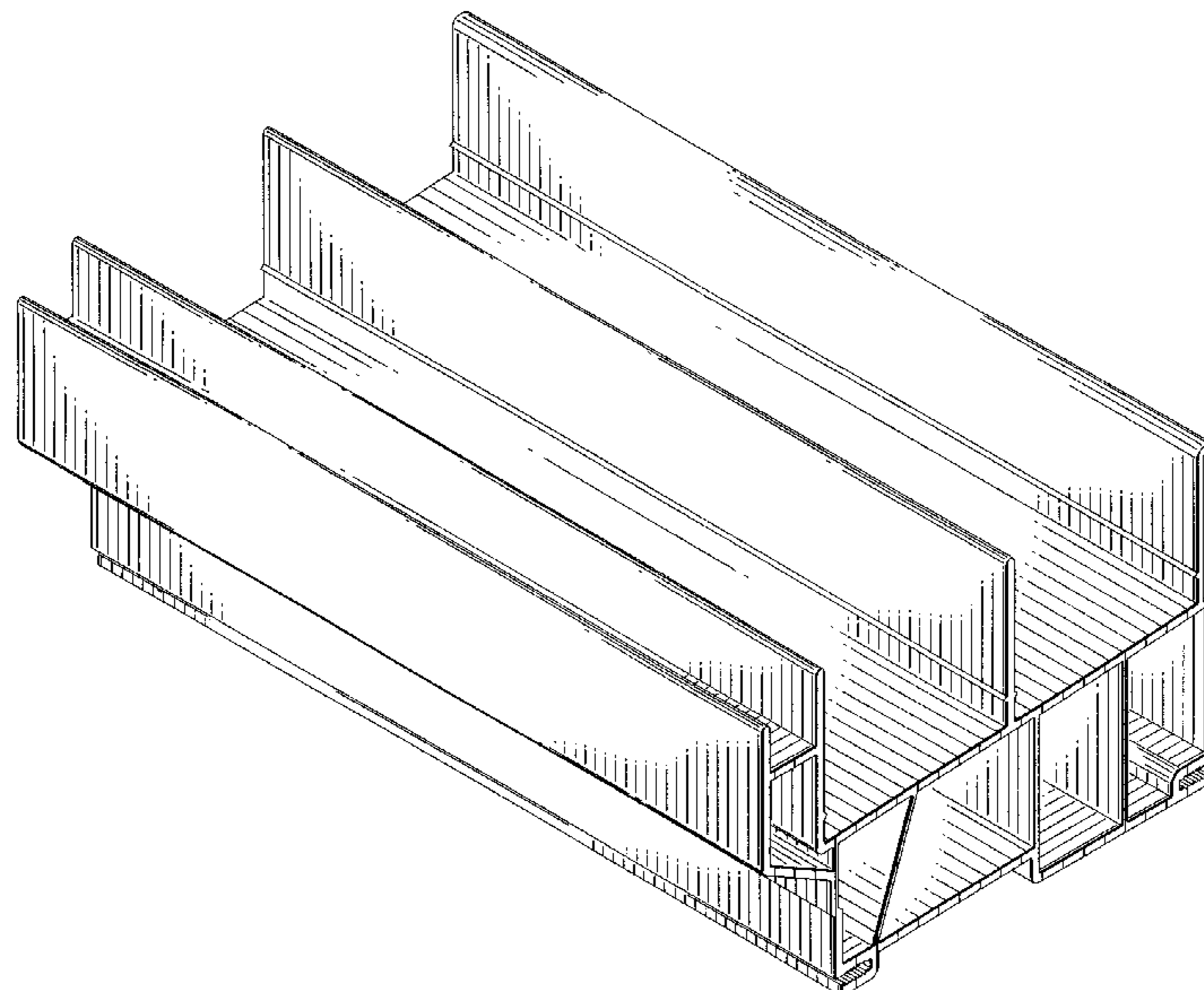
(57) **CLAIM**

The ornamental design for a window component extrusion, as shown and described.

DESCRIPTION

FIG. 1 is a perspective view of a window component extrusion showing my new design; FIG. 2 is a front elevational view thereof; FIG. 3 is a rear elevational view thereof; FIG. 4 is a right side elevational view thereof; FIG. 5 is a top plan view thereof; and, FIG. 6 is a bottom plan view thereof.

1 Claim, 3 Drawing Sheets



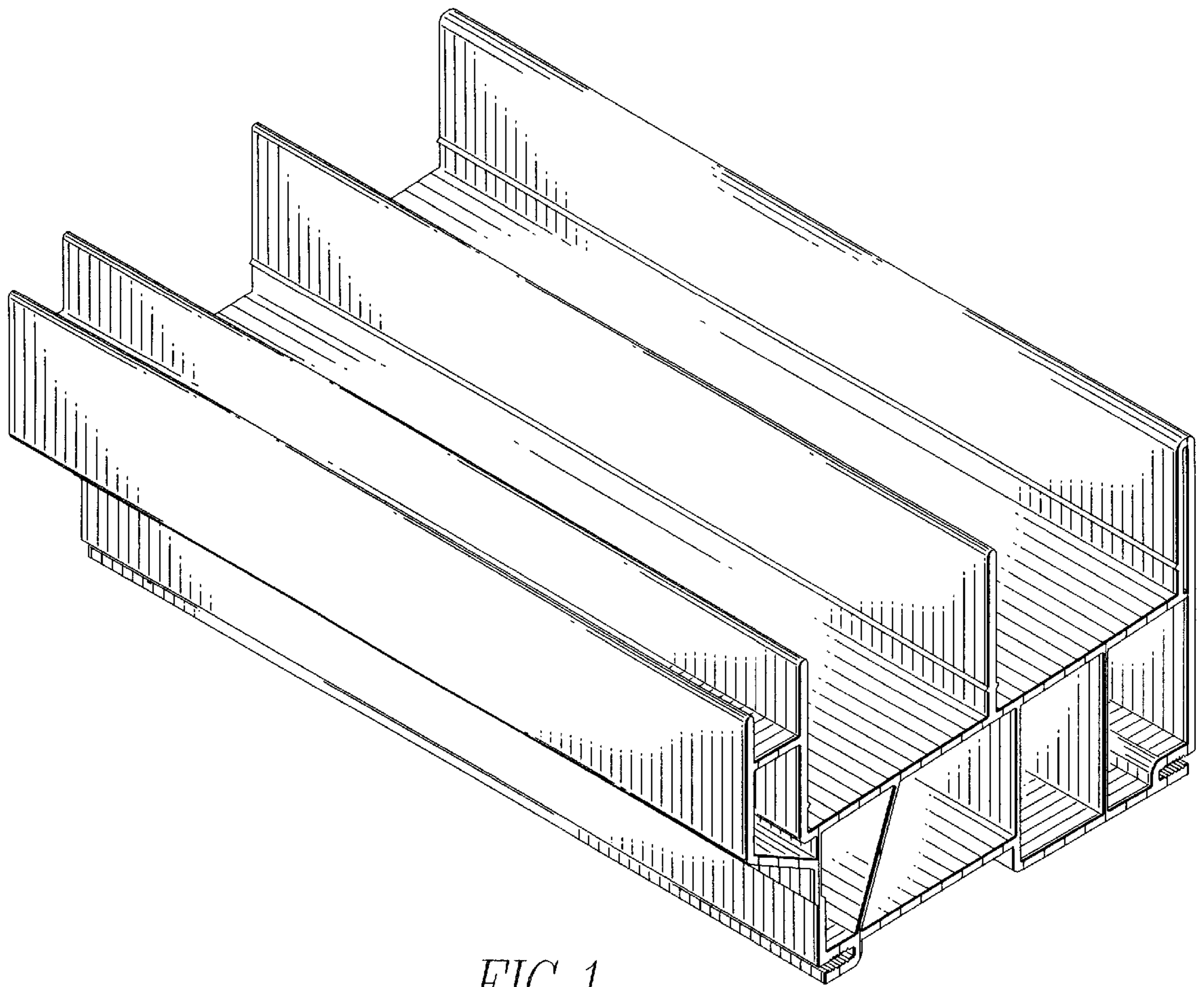


FIG. 1

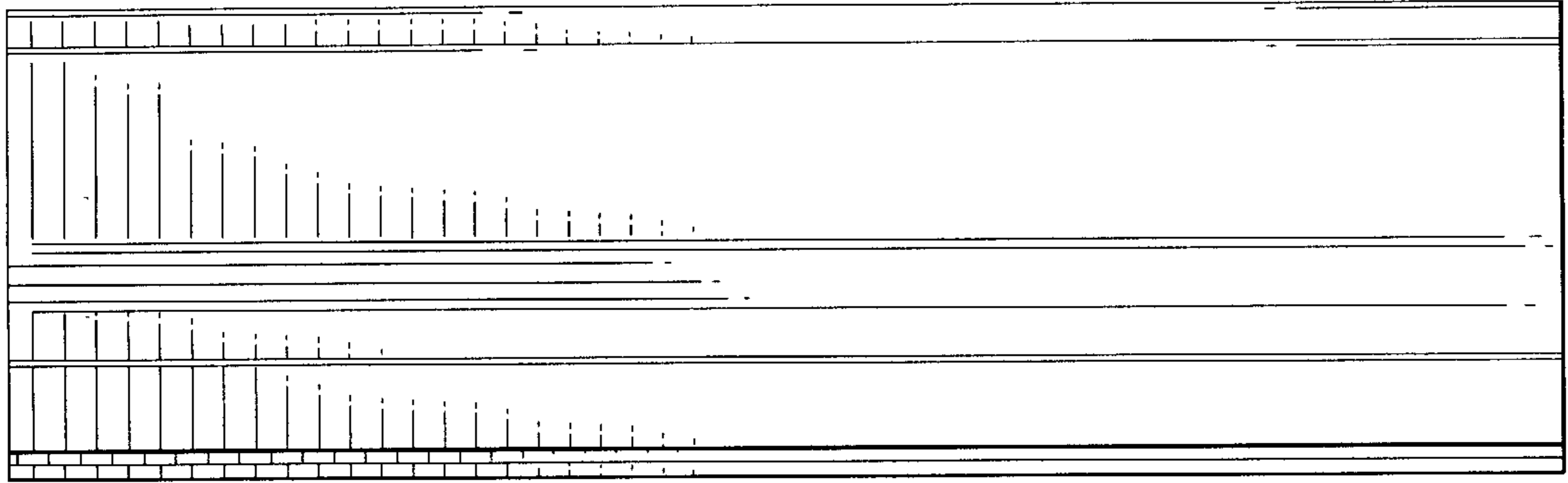


FIG. 2

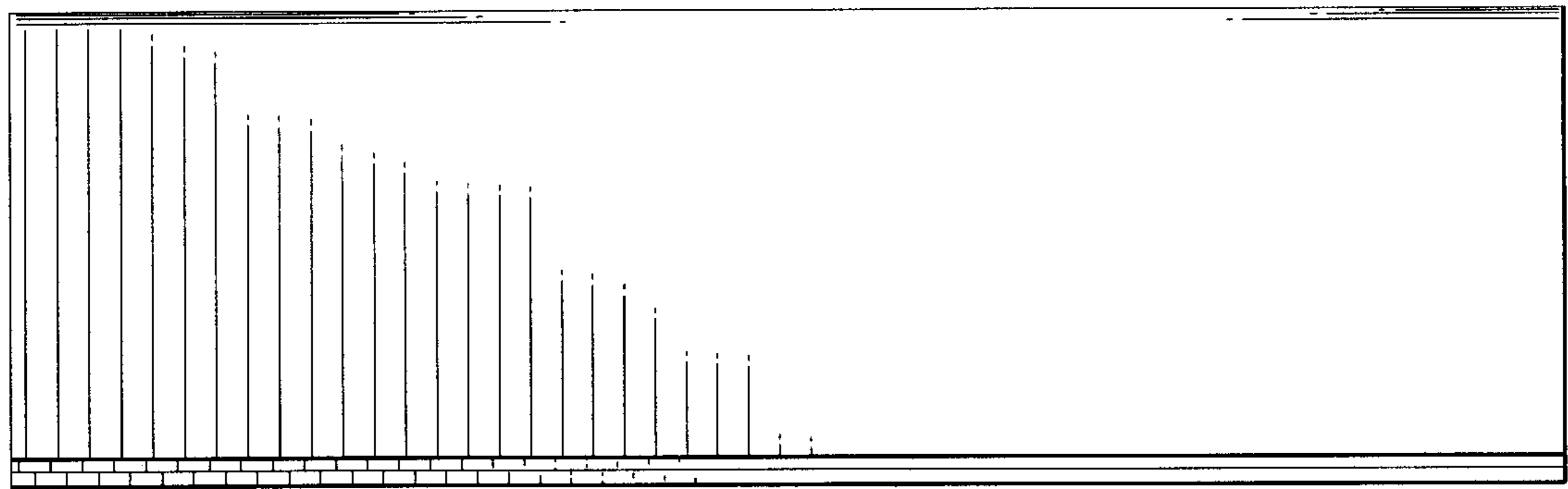


FIG. 3

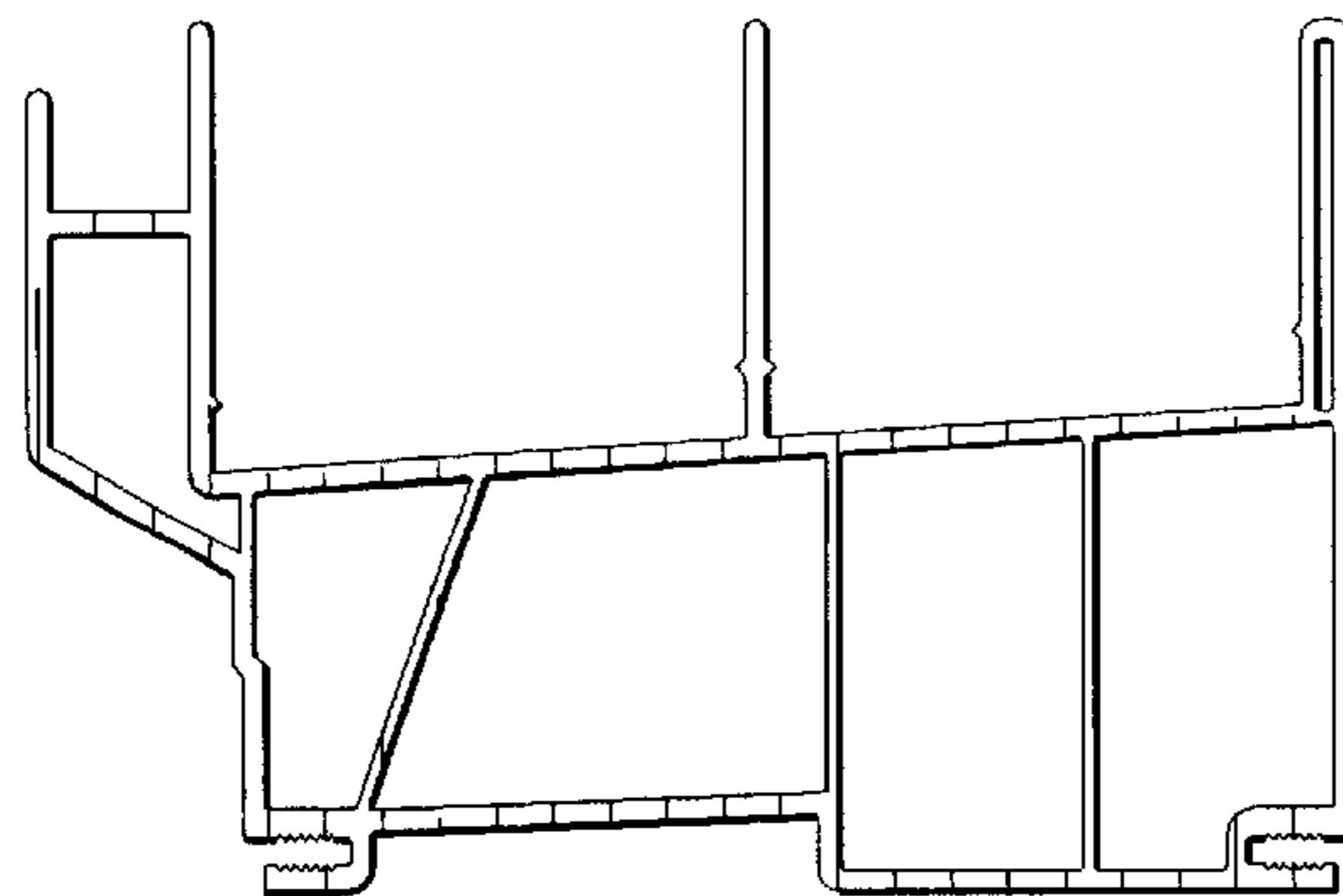


FIG. 4

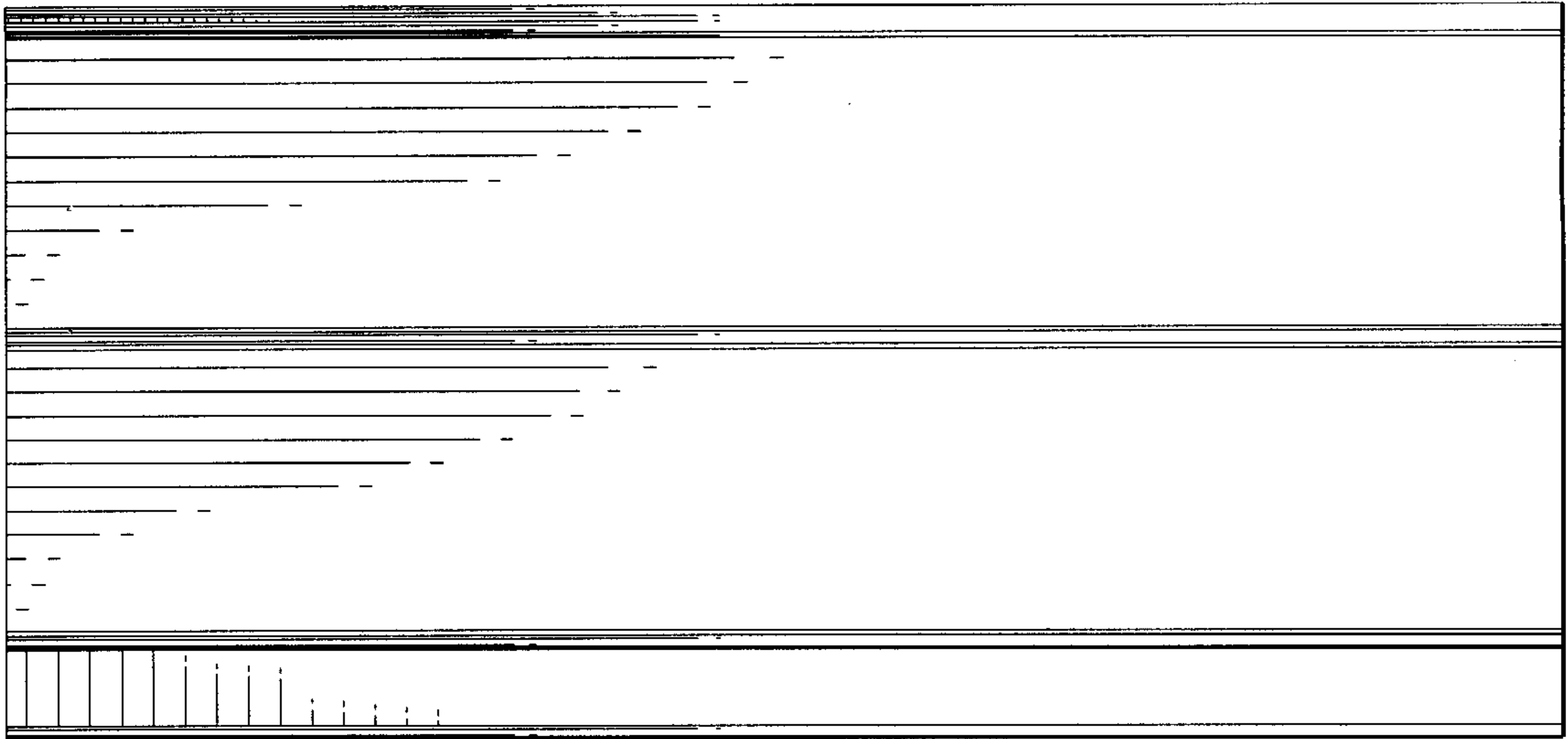


FIG. 5

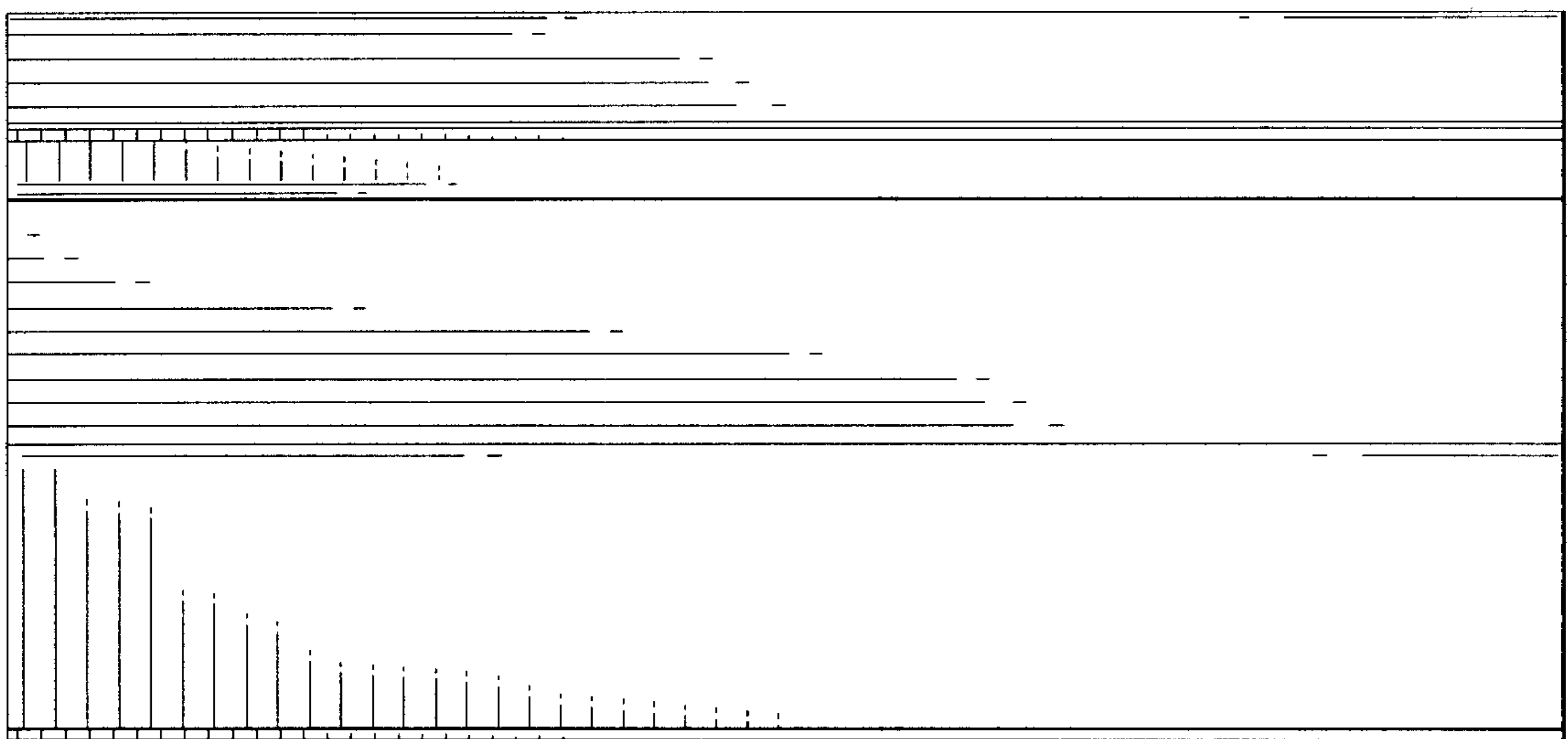


FIG. 6