



US00D457658S

(12) **United States Design Patent**  
**Harel**

(10) **Patent No.:** **US D457,658 S**

(45) **Date of Patent:** **\*\* May 21, 2002**

(54) **RIGHT ANGLE DRYWALL BEAD WITH PERFORATED FLAPS**

5,778,617 A 7/1998 Free  
5,836,122 A 11/1998 Rennich et al.  
6,233,486 B1 5/2001 Dunham

(75) Inventor: **Kenneth N. Harel**, Anaheim, CA (US)

**FOREIGN PATENT DOCUMENTS**

(73) Assignee: **Continuous Coating Corporation**,  
Orange, CA (US)

AU 55424/98 2/1998  
AU 59758/98 2/1998

(\*\*) Term: **14 Years**

**OTHER PUBLICATIONS**

(21) Appl. No.: **29/145,628**

Pages from Beadex catalog entitled Built For All The Corners of The World on Commercial & Residential Dry-wall Trims 1947-1977.

(22) Filed: **Jul. 25, 2001**

(51) **LOC (7) Cl.** ..... **25-01**

\* cited by examiner

(52) **U.S. Cl.** ..... **D25/121**

*Primary Examiner*—Doris Clark

(58) **Field of Search** ..... D25/121, 120,  
D25/125, 119; 52/287.1, 254, 255, 256,  
257; 428/81, 83, 192; D8/403

(74) *Attorney, Agent, or Firm*—Fulwider Patton Lee & Utecht, LLP

(56) **References Cited**

(57) **CLAIM**

**U.S. PATENT DOCUMENTS**

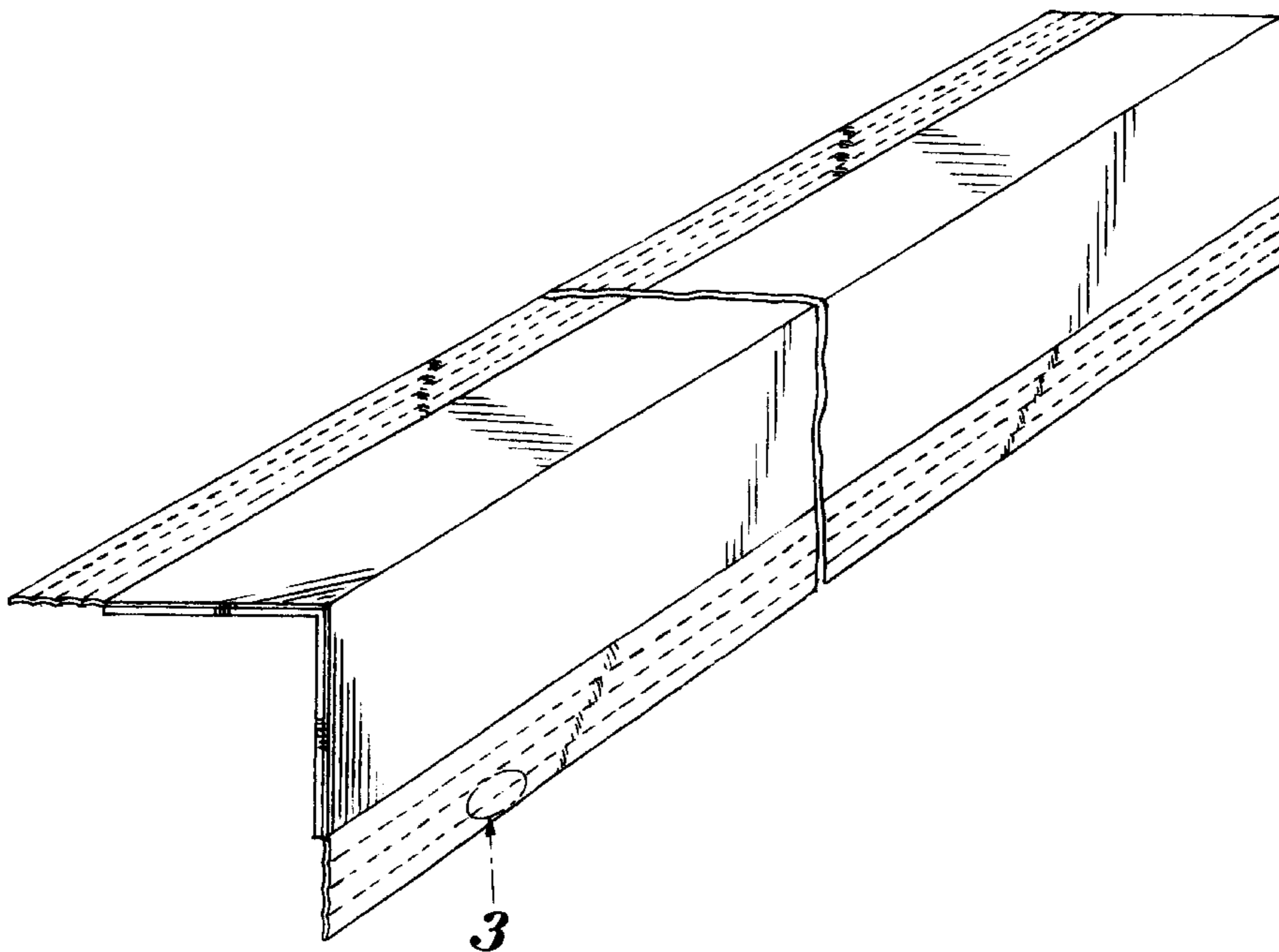
The ornamental design for a right angle drywall bead with perforated flaps, as shown and described.

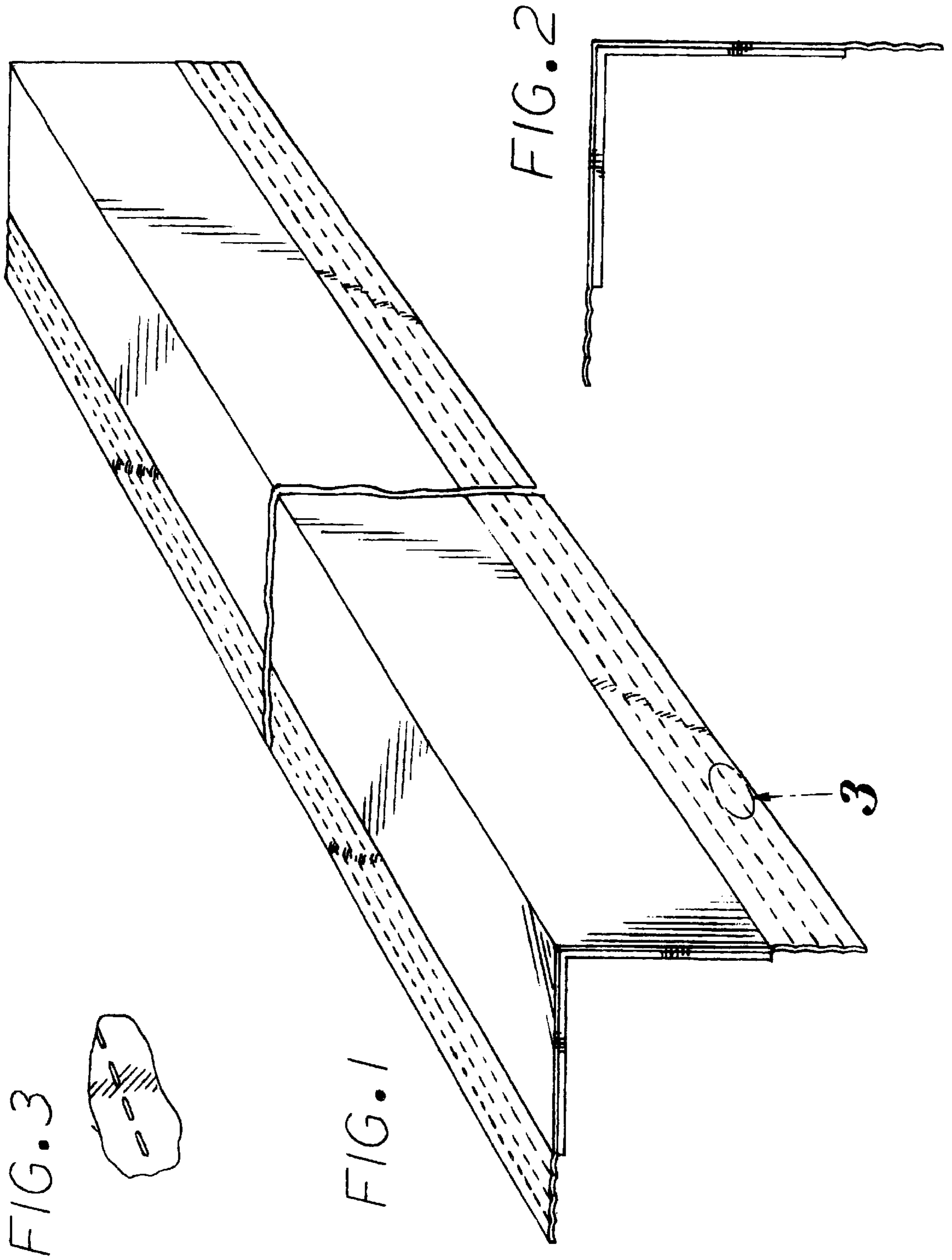
2,643,423 A	6/1953	Brendel	
2,904,856 A	9/1959	Robinson	
2,969,616 A	1/1961	Gustafson	
D221,530 S	* 8/1971	Kimmel	..... D25/121
4,430,833 A	* 2/1984	Balzer et al.	..... 52/255
4,722,153 A	2/1988	Hardy	
4,863,774 A	9/1989	Tucker	
4,977,718 A	12/1990	Hoffman	
5,045,374 A	9/1991	Tucker	
D351,988 S	11/1994	Gotcher	
5,442,886 A	8/1995	Iacobelli	
5,505,032 A	4/1996	Wasserman et al.	
5,531,050 A	7/1996	Stibolt et al.	
5,544,463 A	8/1996	Bergin	
5,711,124 A	1/1998	Stough et al.	

**DESCRIPTION**

FIG. 1 is a perspective view of a right angle drywall bead with perforated flaps showing my new design, the right end portion shown broken away to indicate indeterminate length; FIG. 2 is a left end view thereof, the right end being a mirror image; FIG. 3 is a detailed view, in enlarged scale, taken from the oval identified by the numeral 3 in FIG. 1; FIG. 4 is a broken front view thereof; and, FIG. 5 is a broken back view thereof.

**1 Claim, 2 Drawing Sheets**





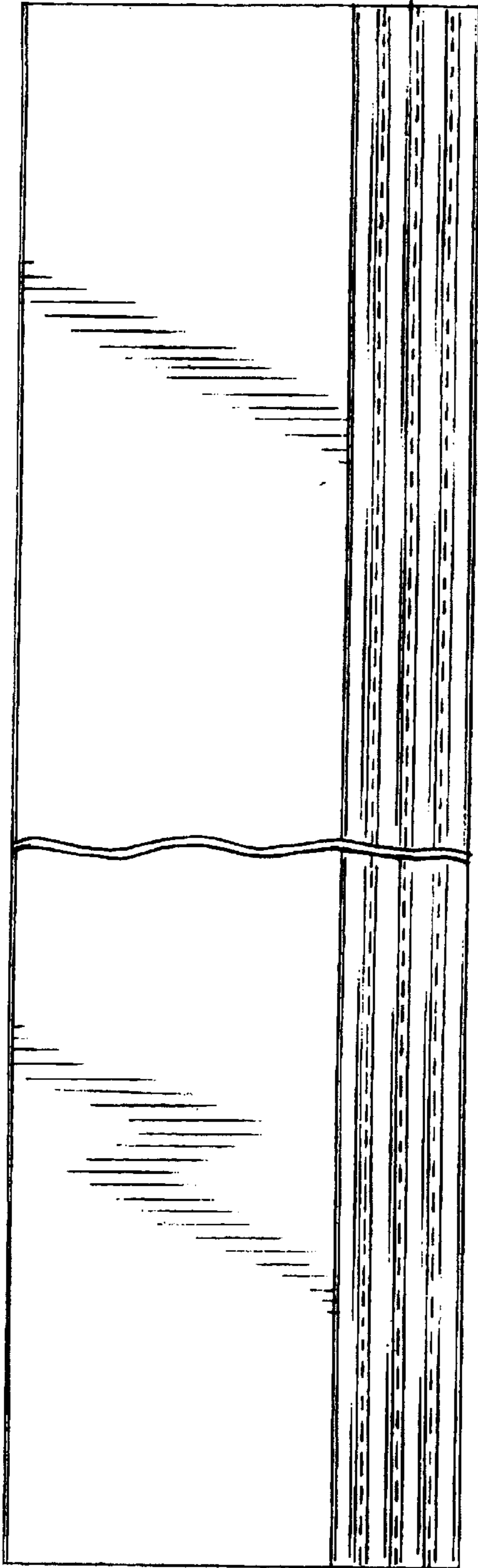


FIG. 4

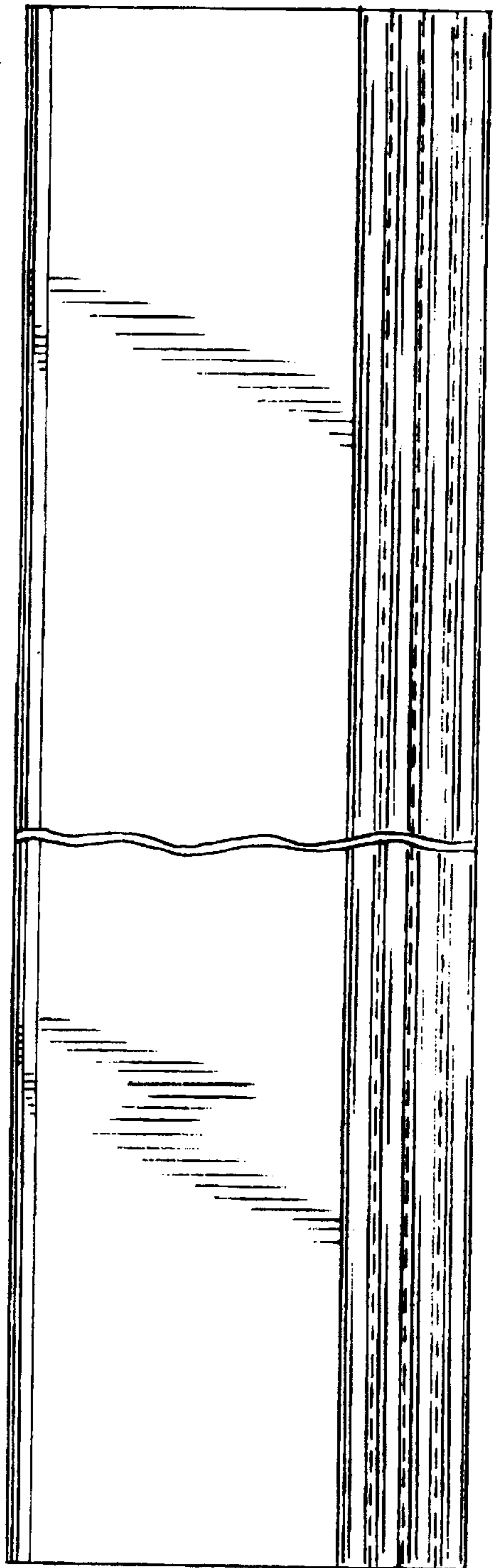


FIG. 5