



US00D457657S

(12) **United States Design Patent**
Colegrove

(10) **Patent No.:** **US D457,657 S**

(45) **Date of Patent:** **** May 21, 2002**

(54) **FASCIA**
(75) **Inventor:** **Russell Colegrove, Marietta, GA (US)**
(73) **Assignee:** **Steeltec, LLC, Dallas, GA (US)**
(**) **Term:** **14 Years**

5,019,111 A * 5/1991 Dempsey et al. 52/314
D375,173 S * 10/1996 De Zen D25/119
D418,610 S * 1/2000 Dyer et al. D25/55

* cited by examiner

Primary Examiner—Doris Clark
(74) *Attorney, Agent, or Firm*—Holland & Knight LLP

(21) **Appl. No.:** **29/139,192**
(22) **Filed:** **Mar. 26, 2001**

(57) **CLAIM**

The ornamental design for fascia, as shown and described.

(51) **LOC (7) Cl.** **25-01**
(52) **U.S. Cl.** **D25/119; D25/55**
(58) **Field of Search** **D25/55, 119; 52/94-96,**
52/11, 314

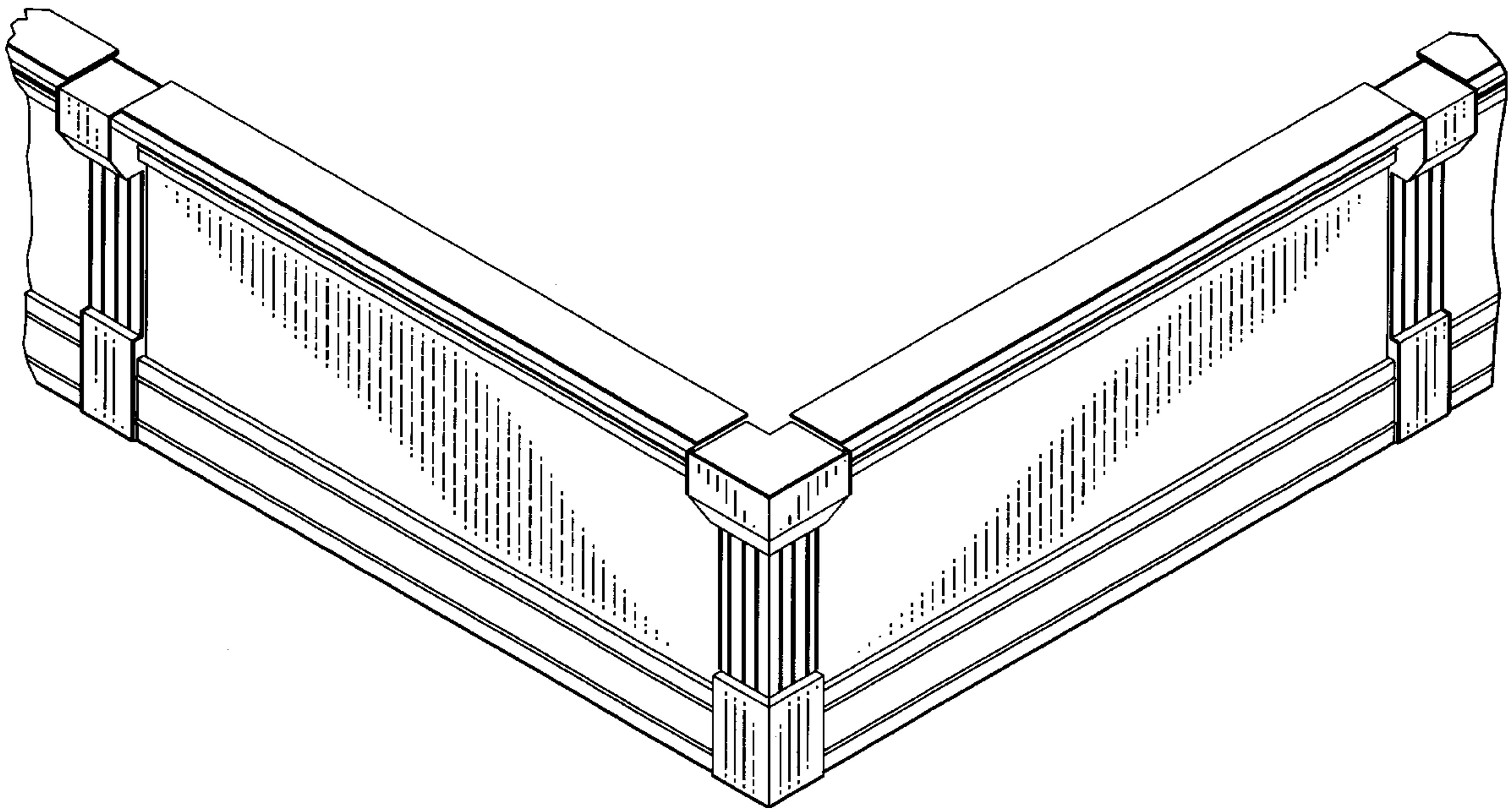
DESCRIPTION

FIG. 1 is a partial perspective view of my design for fascia;
FIG. 2 is a side elevational view thereof;
FIG. 3 is a sectional view taken along line 3—3 of FIG. 2;
and,
FIG. 4 is a sectional view taken along line 4—4 of FIG. 2.
The fascia is broken on the ends to indicate indefinite length.

(56) **References Cited**
U.S. PATENT DOCUMENTS

D248,327 S * 6/1978 South D25/119
4,707,954 A * 11/1987 Butzen 52/96

1 Claim, 3 Drawing Sheets



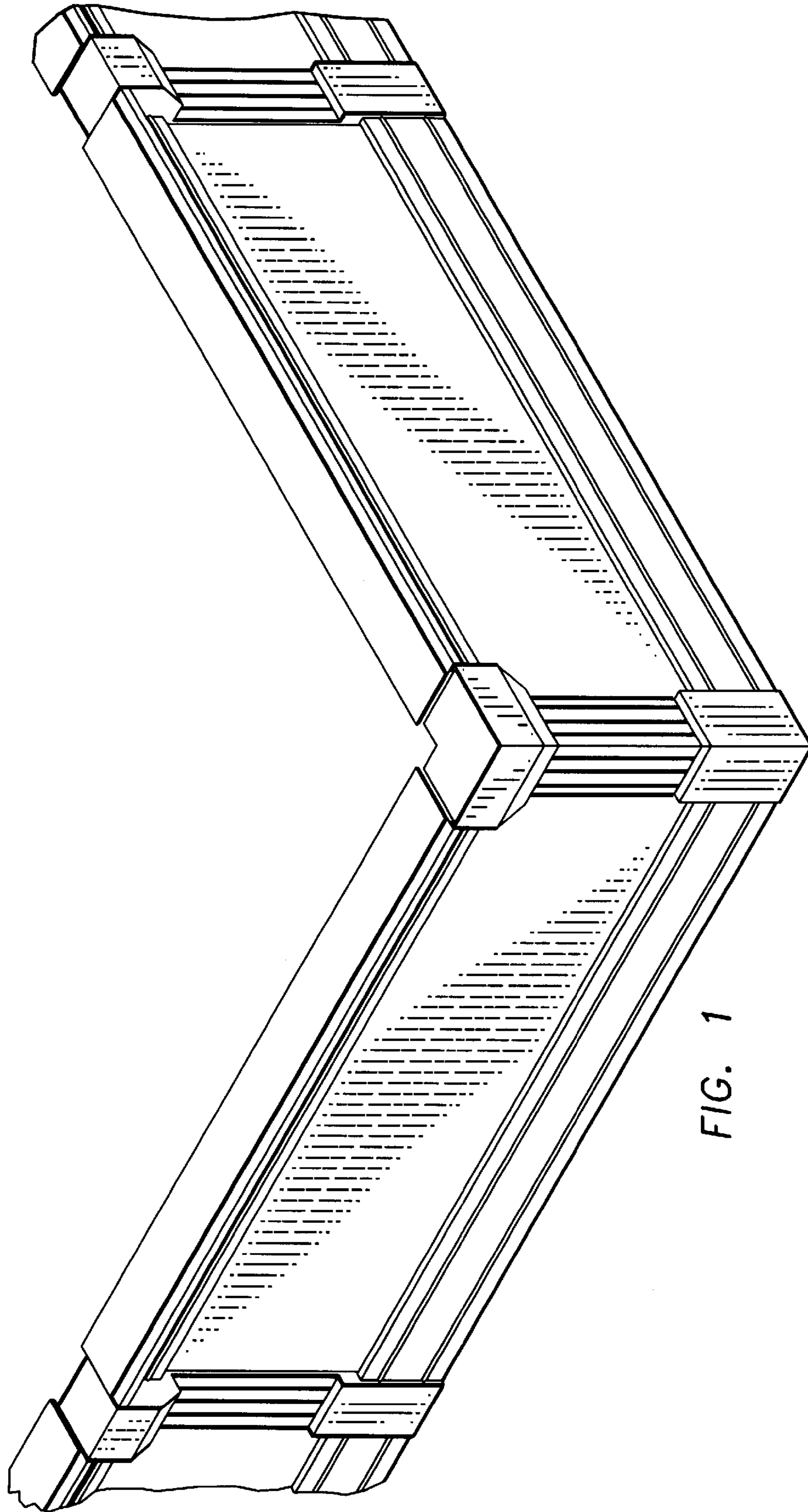
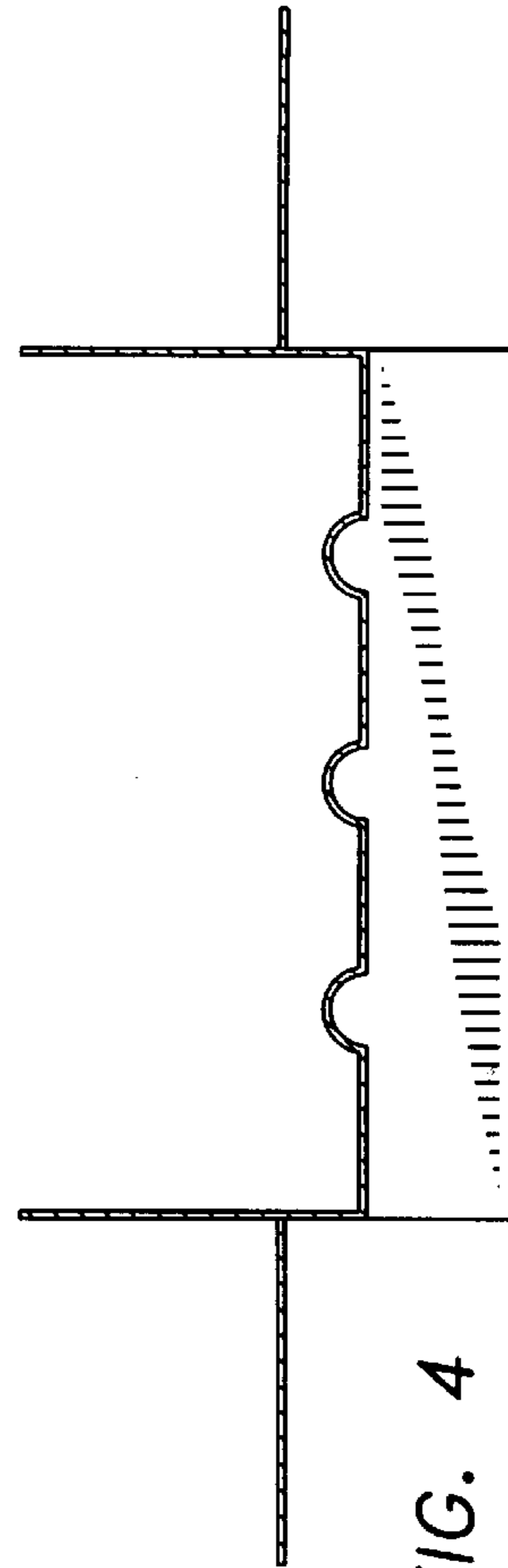
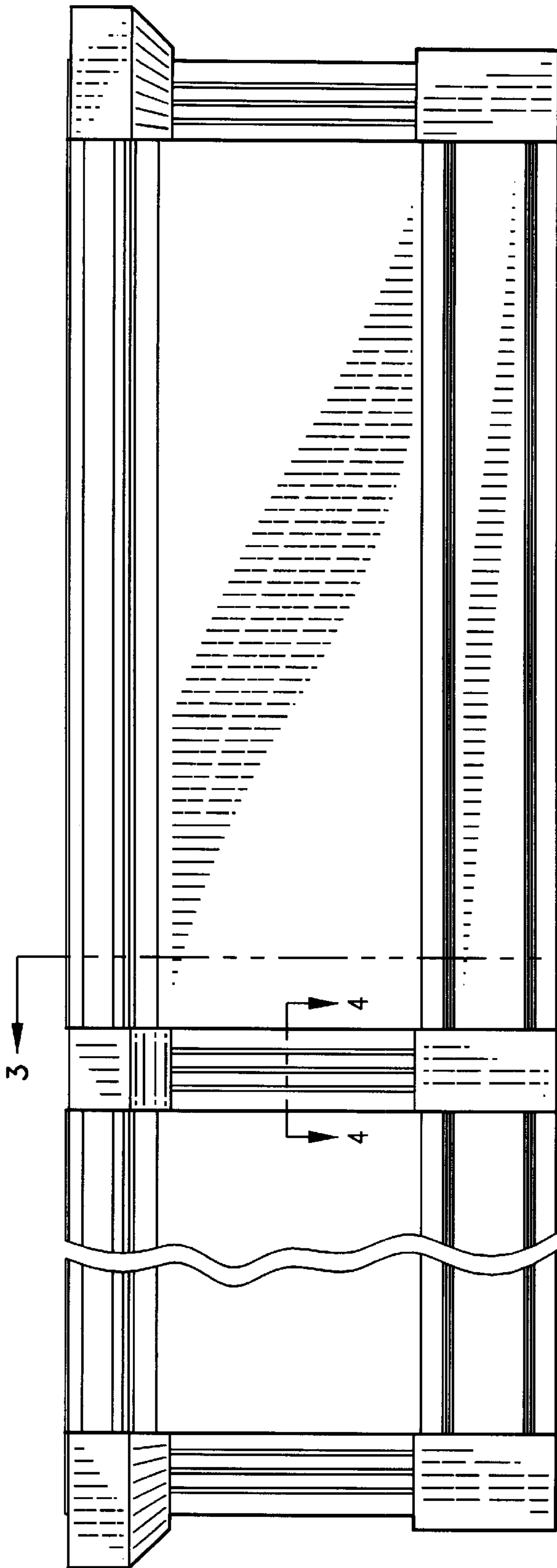


FIG. 1



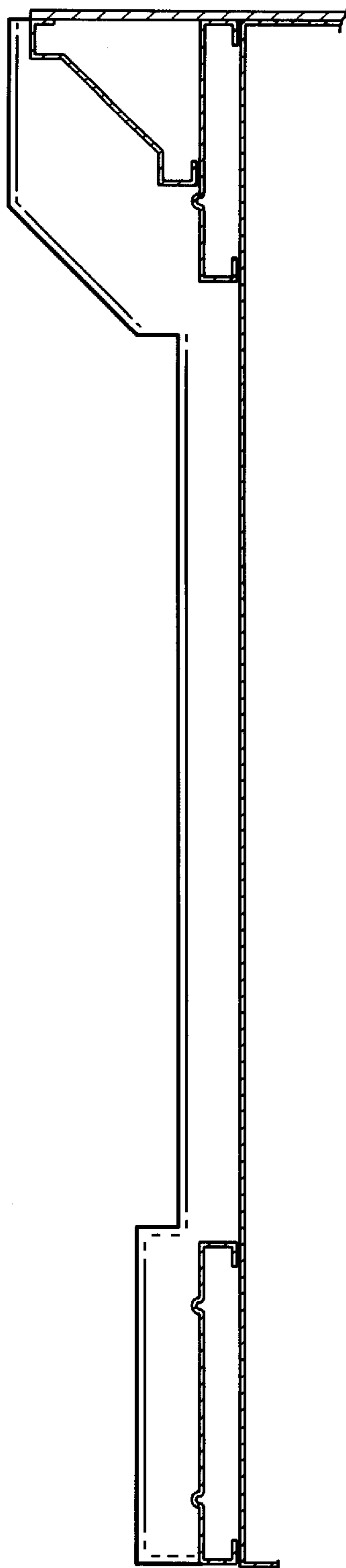


FIG. 3