



US00D457652S

(12) **United States Design Patent**
Schwartz et al.

(10) **Patent No.:** **US D457,652 S**
(45) **Date of Patent:** **** May 21, 2002**

(54) **INJECTION MOLDED ARBOR**
(75) Inventors: **Carl I. Schwartz**, Grand Blanc;
Marcee N. Milletics, Swartz Creek;
Christopher J. Waites, Frankenmuth;
David J. Stob, Auburn Hills, all of MI
(US)
(73) Assignee: **Plastics Research Corporation**, Flint,
MI (US)
(**) Term: **14 Years**

1,336,580 A 4/1920 Parr
D66,533 S 2/1925 George
D158,627 S 5/1950 Thompson
4,333,287 A 6/1982 Lewis
4,646,468 A 3/1987 Erceg
D296,935 S 7/1988 Erceg
D328,138 S 7/1992 Nadherny-Borutin
D333,280 S 2/1993 Rago et al.
D360,474 S 7/1995 Kern et al.
D361,391 S 8/1995 Goldman
D396,304 S 7/1998 Hollinger
5,913,477 A 6/1999 Dean
D417,289 S 11/1999 Rehmert et al.

(21) Appl. No.: **29/137,799**
(22) Filed: **Feb. 27, 2001**

Primary Examiner—Doris Clark
(74) *Attorney, Agent, or Firm*—Brooks & Kushman P.C.

Related U.S. Application Data

(62) Division of application No. 29/122,767, filed on May 3,
2000, now Pat. No. Des. 442,700.
(51) **LOC (7) Cl.** **08-99**
(52) **U.S. Cl.** **D25/100**
(58) **Field of Search** D25/100-101;
47/44, 47, 46; 52/648.1, 633

(57) **CLAIM**

The ornamental design for an injection molded arbor, as
shown and described.

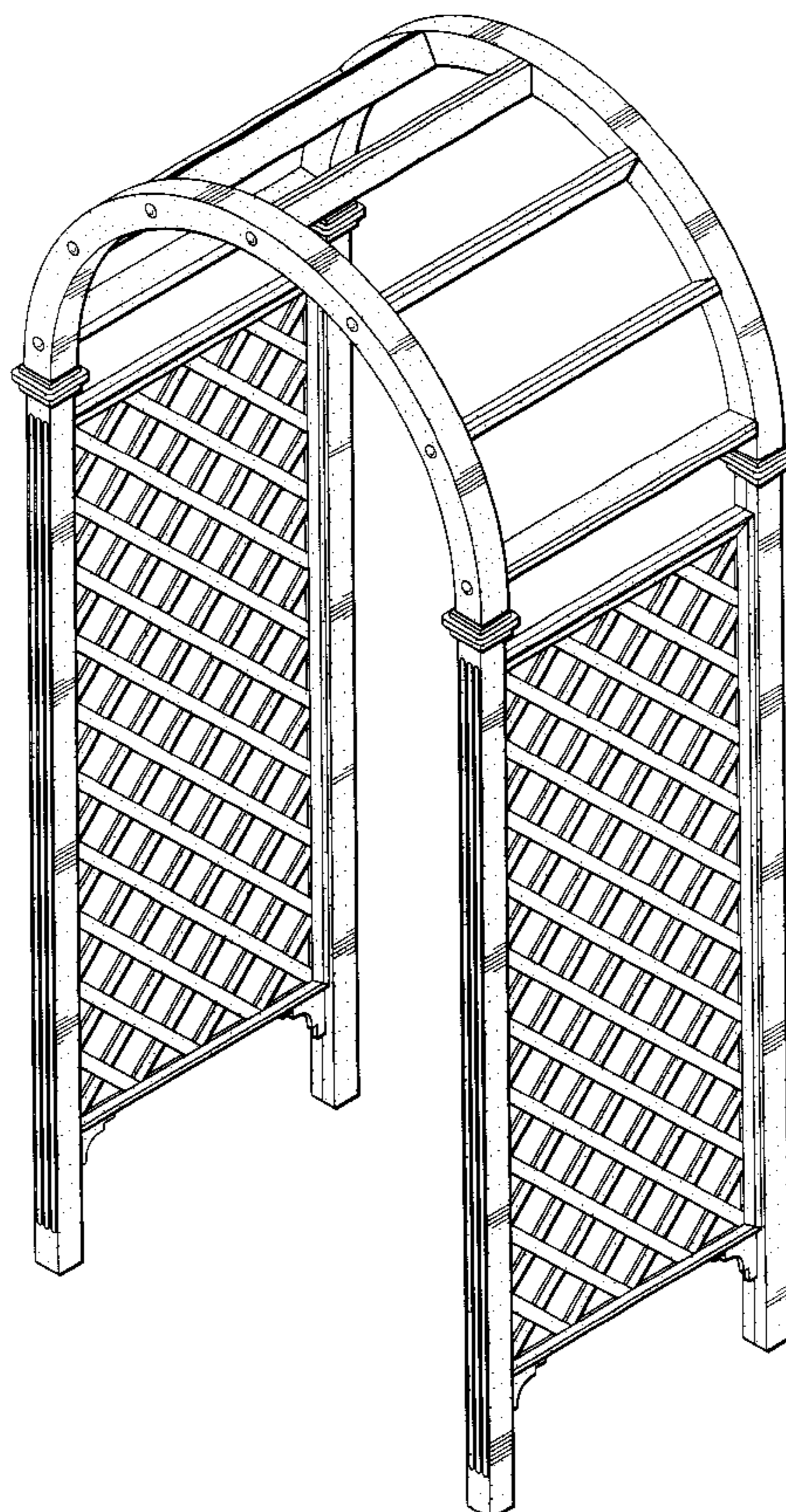
DESCRIPTION

FIG. 1 is a front perspective view of the injected molded
arbor of the present invention.
FIG. 2 is a front view;
FIG. 3 is a side view, both sides being mirror images of the
other;
FIG. 4 is a top plan view; and,
FIG. 5 is a bottom plan view of the present invention.

(56) **References Cited**
U.S. PATENT DOCUMENTS

317,939 A 5/1885 Halfpenny
1,300,775 A 4/1919 Reed

1 Claim, 4 Drawing Sheets



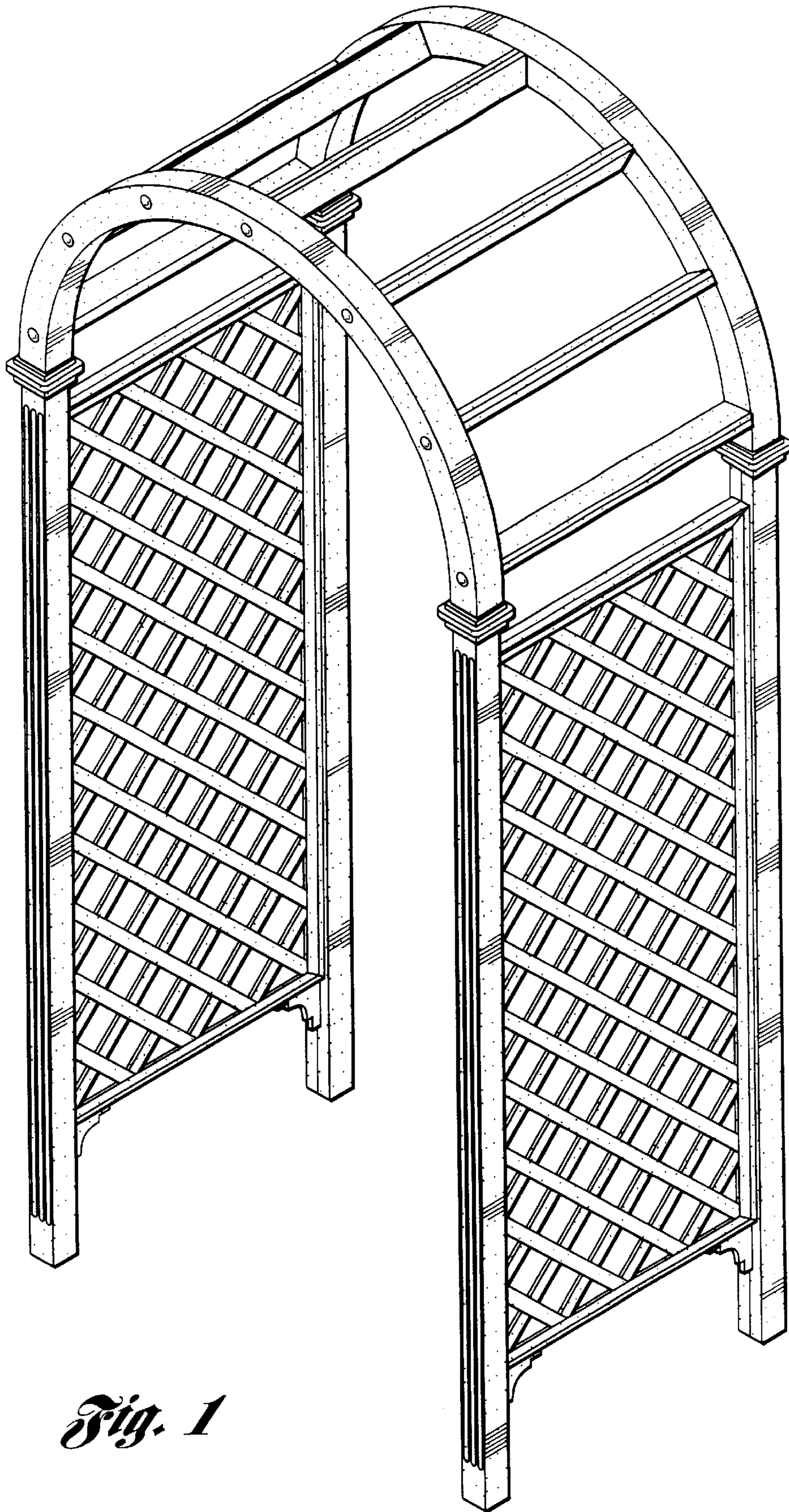


Fig. 1

Fig. 2

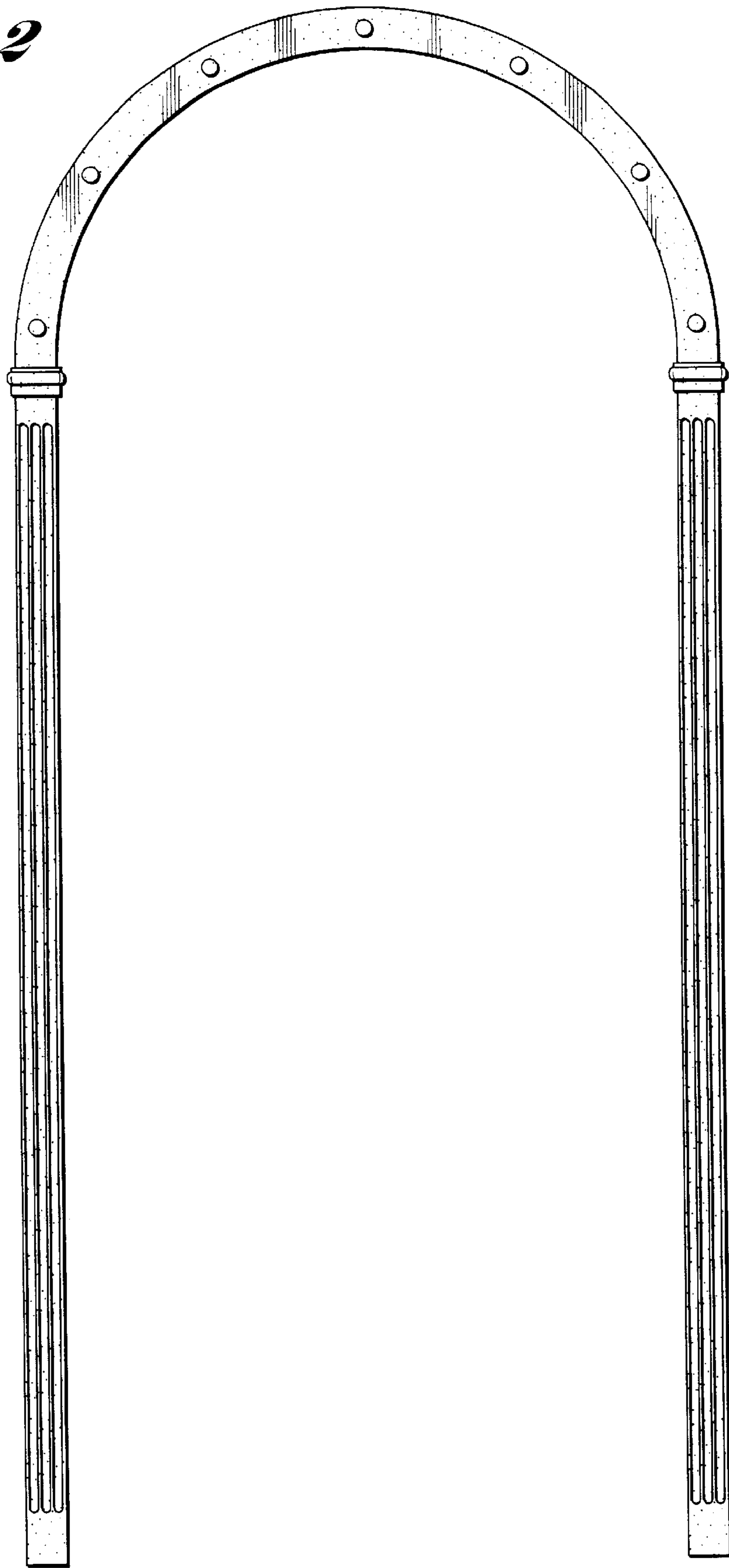
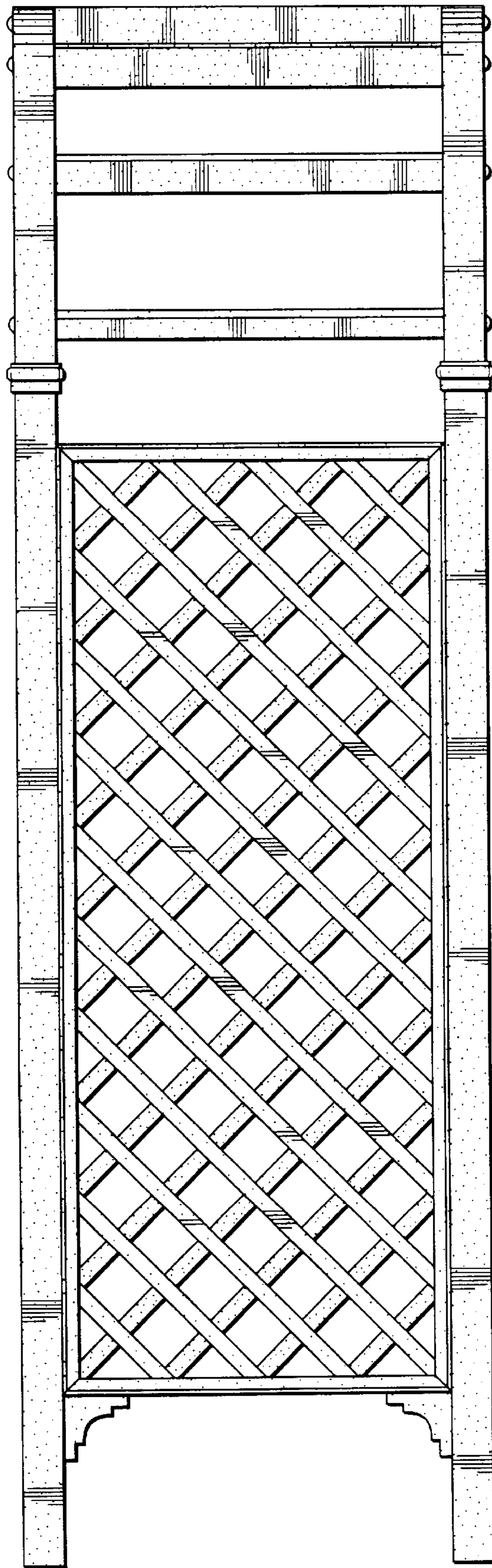


Fig. 3



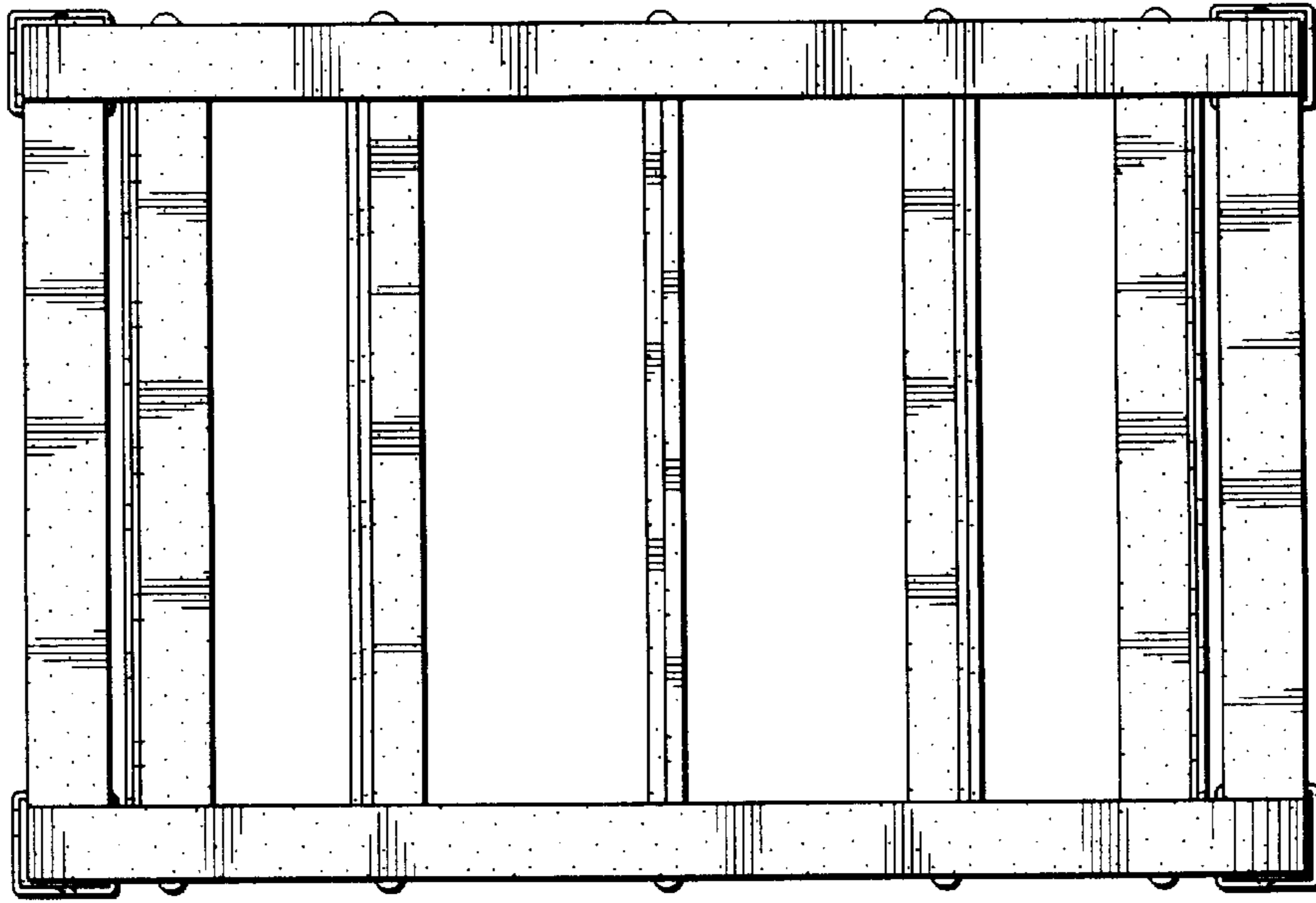


Fig. 4

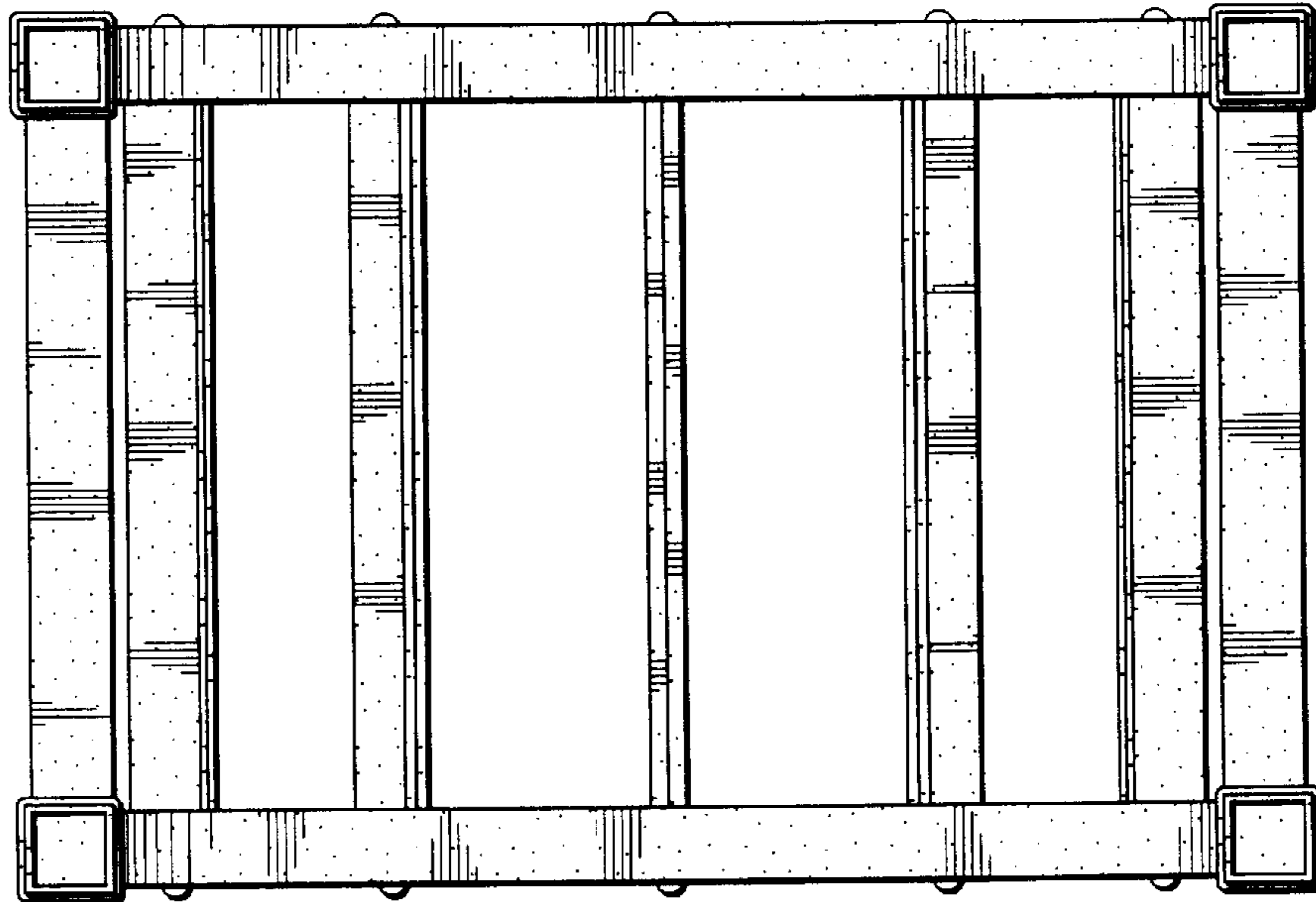


Fig. 5