



US00D457651S

(12) **United States Design Patent**  
**Brown**

(10) **Patent No.:** **US D457,651 S**

(45) **Date of Patent:** **\*\* May 21, 2002**

(54) **LADDER SAFETY HOOP**

5,507,362 A \* 4/1996 Krueger ..... 182/3

(75) Inventor: **Richard T. Brown**, Woodbury, MN  
(US)

\* cited by examiner

(73) Assignee: **Safety Brace, Inc.**, Inver Grove  
Heights, MN (US)

*Primary Examiner*—Doris Clark

(74) *Attorney, Agent, or Firm*—Roger W. Jensen

(\*\*) Term: **14 Years**

(57) **CLAIM**

The ornamental design for a ladder safety hoop, as shown.

(21) Appl. No.: **29/138,664**

**DESCRIPTION**

(22) Filed: **Mar. 16, 2001**

FIG. 1 is a top, front and right side perspective view of a ladder safety hoop showing my new design;

(51) **LOC (7) Cl.** ..... **25-04**

FIG. 2 is a top view thereof;

(52) **U.S. Cl.** ..... **D25/68**

FIG. 3 is a right side view thereof;

(58) **Field of Search** ..... D25/68, 62; 182/3,  
182/4, 7, 8, 9

FIG. 4 is a bottom view thereof;

FIG. 5 is a left side view thereof;

FIG. 6 is a back view thereof; and,

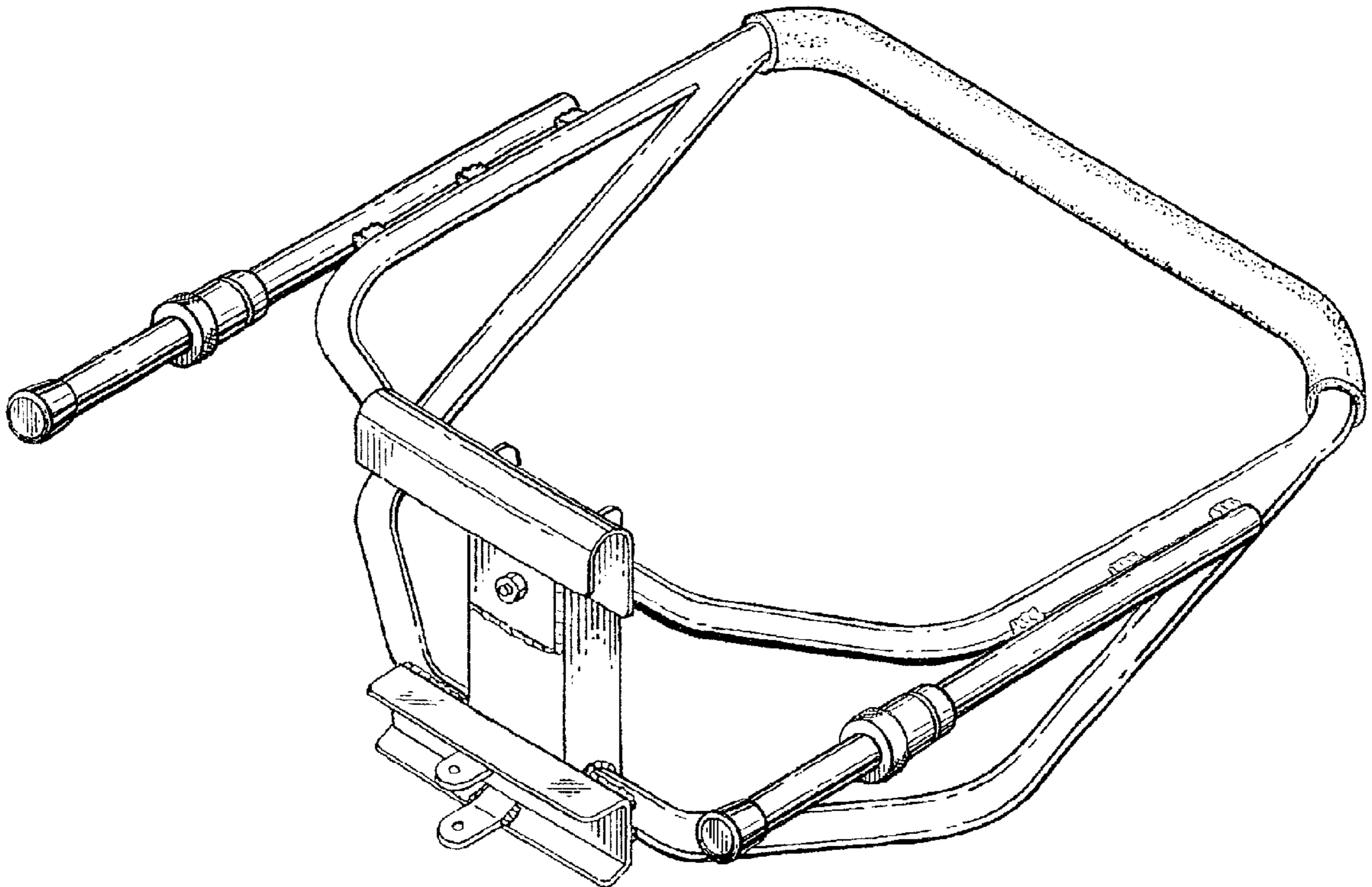
FIG. 7 is a front view thereof.

(56) **References Cited**

**U.S. PATENT DOCUMENTS**

D322,485 S \* 12/1991 Leeland ..... D25/68

**1 Claim, 4 Drawing Sheets**



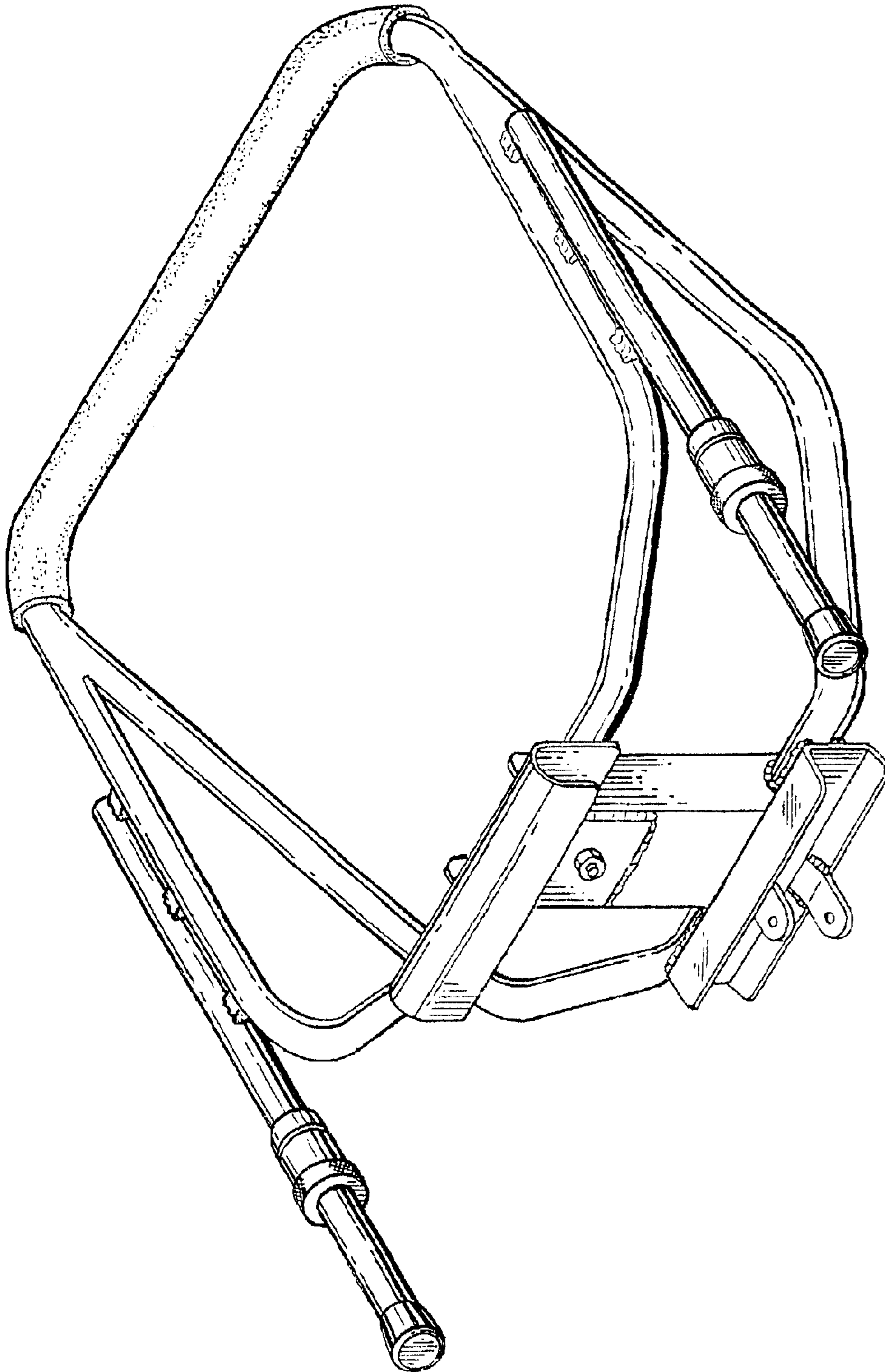
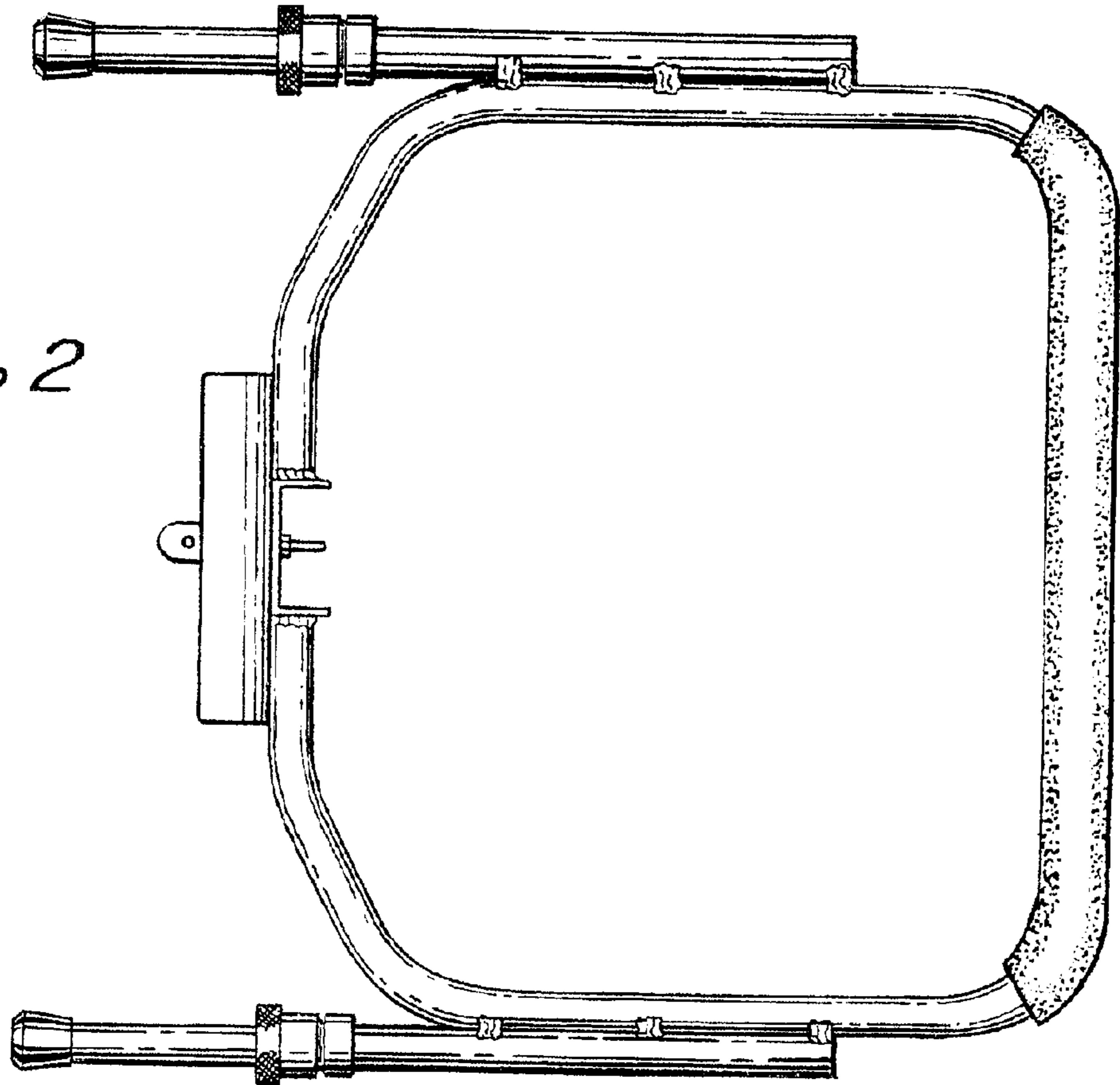


FIG. 1

*FIG. 2*



*FIG. 3*

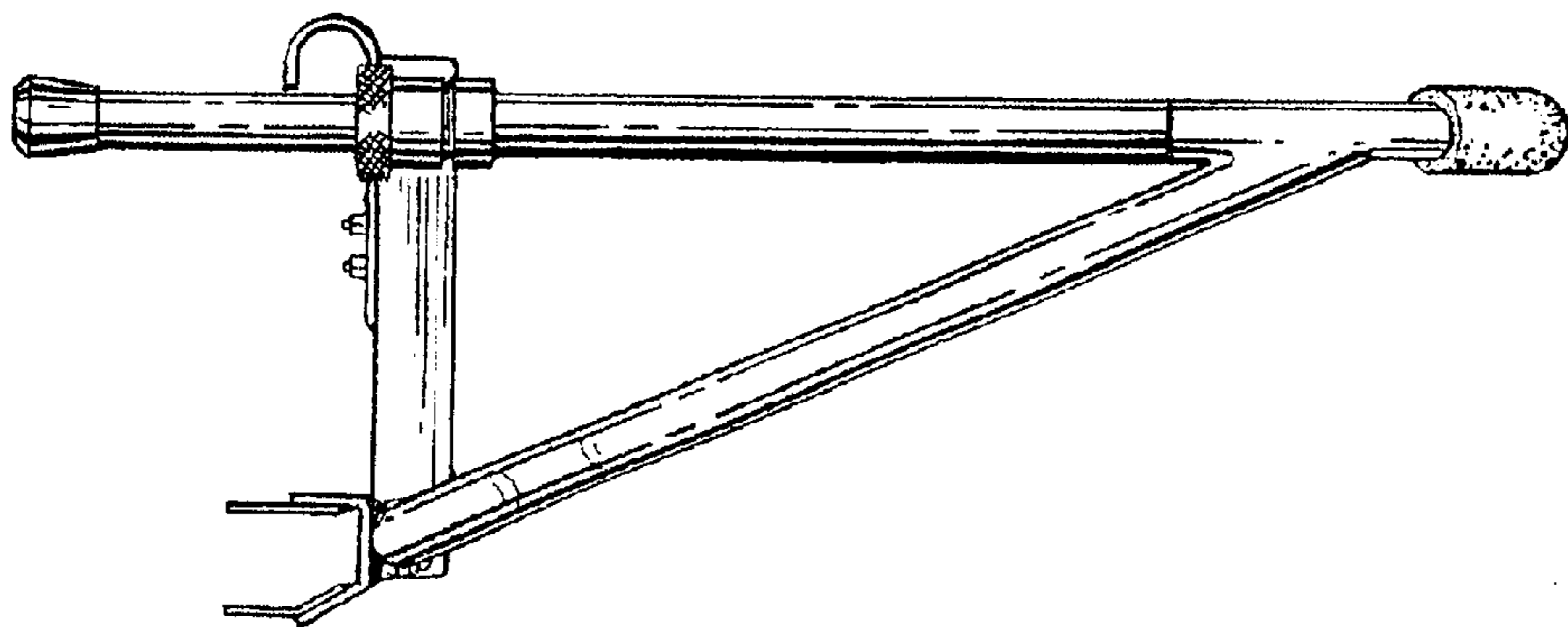


FIG. 4

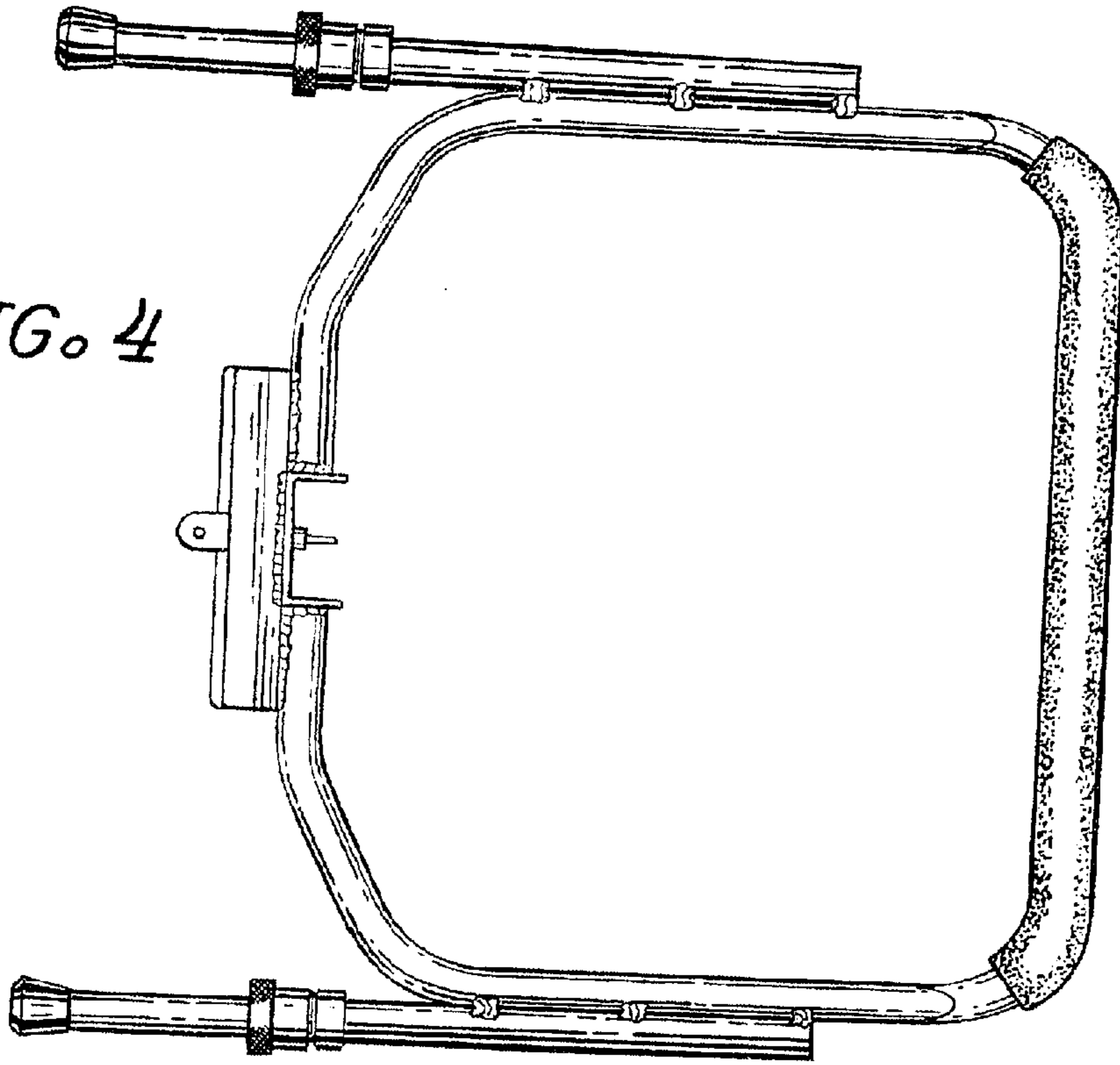
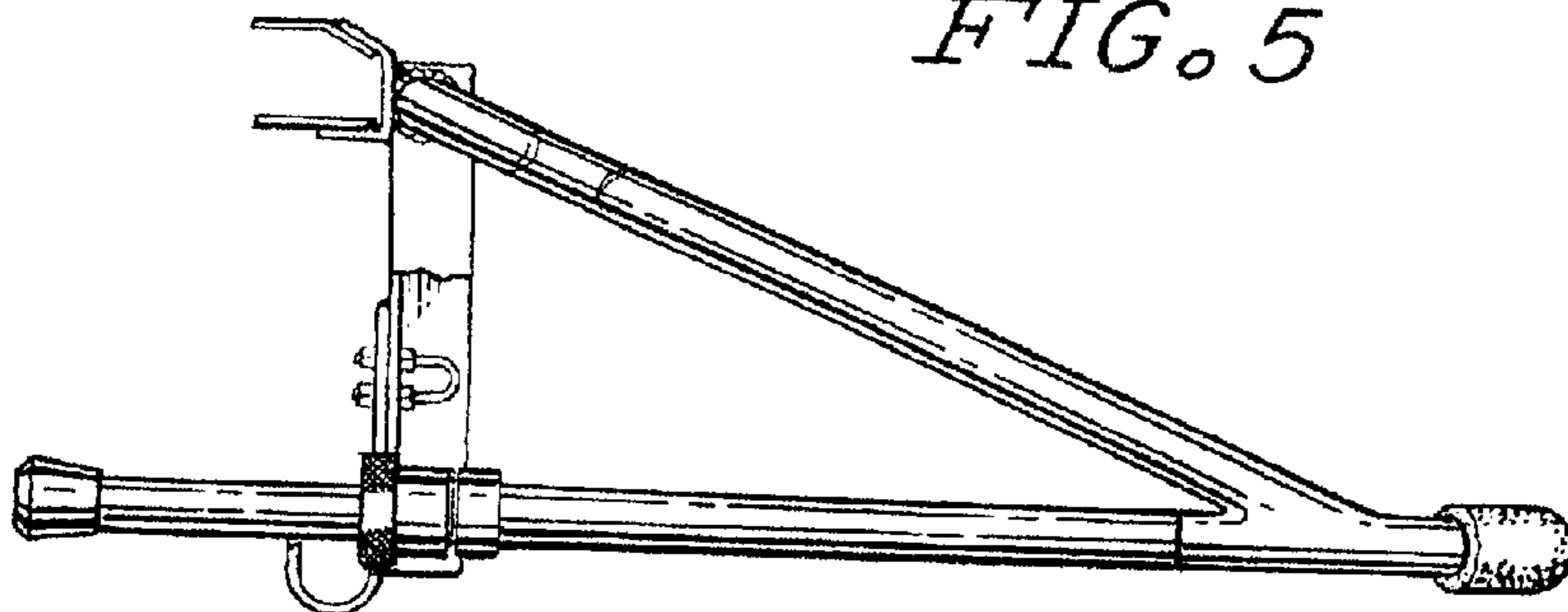
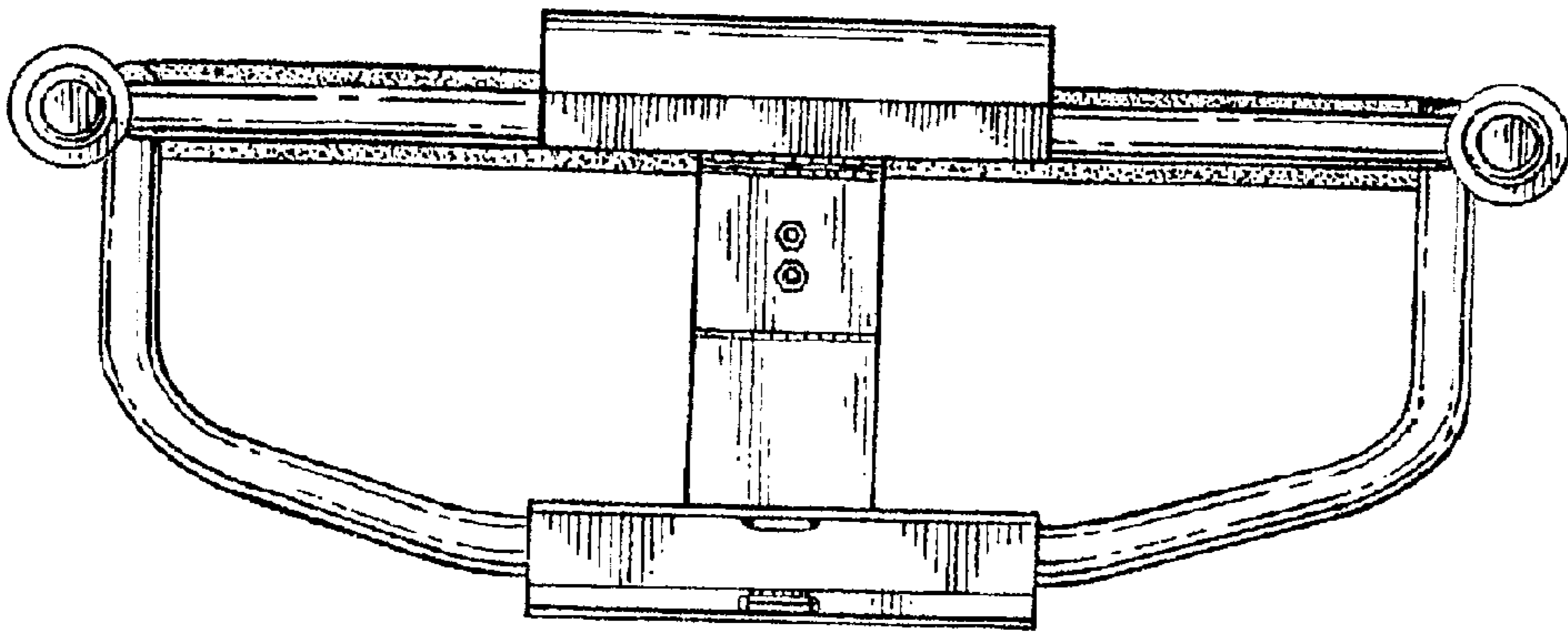


FIG. 5



*FIG. 7*



*FIG. 6*

