



US00D457649S

(12) **United States Design Patent**
Yang

(10) **Patent No.:** **US D457,649 S**

(45) **Date of Patent:** **** May 21, 2002**

(54) **SAFE GRATING DOOR**

(75) Inventor: **Ming-Li Yang**, Taipei (TW)

(73) Assignee: **Tung Pang Industrial Co., Ltd.**, Taipei (TW)

(**) Term: **14 Years**

(21) Appl. No.: **29/128,712**

(22) Filed: **Aug. 30, 2000**

(51) **LOC (7) Cl.** **25-02**

(52) **U.S. Cl.** **D25/50**

(58) **Field of Search** D25/38, 39, 50;
256/24, 25, 73; 49/55, 50, 57, 34

(56) **References Cited**

U.S. PATENT DOCUMENTS

2,574,807 A * 11/1951 Woodruff 49/55

D422,089 S * 3/2000 Bland D25/50

* cited by examiner

Primary Examiner—Doris Clark

(74) *Attorney, Agent, or Firm*—Troxell Law Office PLLC

(57) **CLAIM**

The ornamental design for a safe grating door, as shown and described.

DESCRIPTION

The new design is a safe grating door, and the safe grating door is especially for children or using in a place other than a building.

FIG. 1 is a front view of a safe grating door showing my new design;

FIG. 2 is a right side view thereof;

FIG. 3 is a top view thereof;

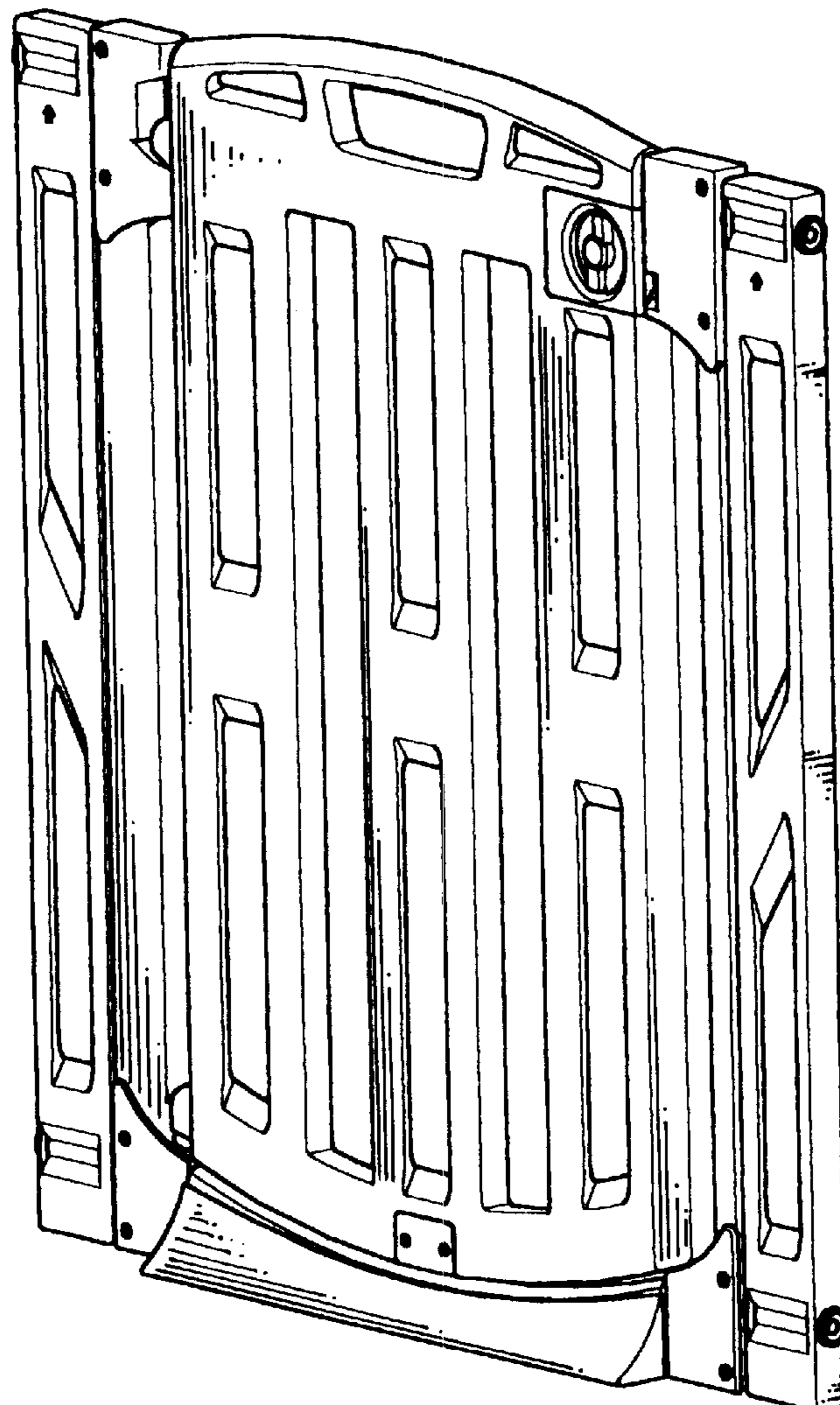
FIG. 4 is a rear view thereof;

FIG. 5 is a left side view thereof;

FIG. 6 is a bottom view thereof; and,

FIG. 7 is a perspective view thereof.

1 Claim, 4 Drawing Sheets



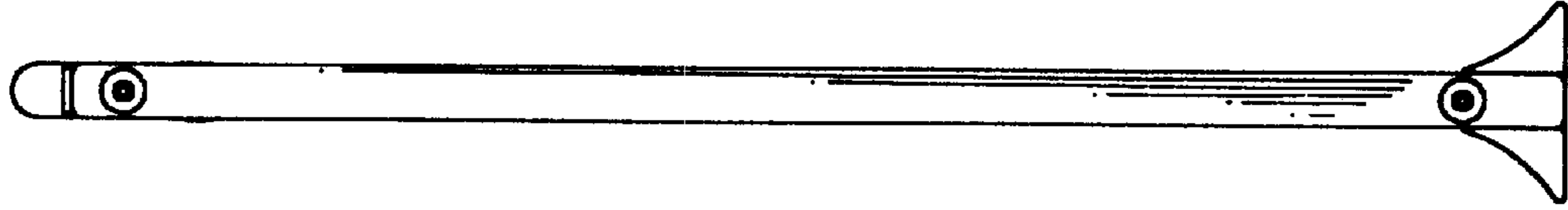


FIG. 2

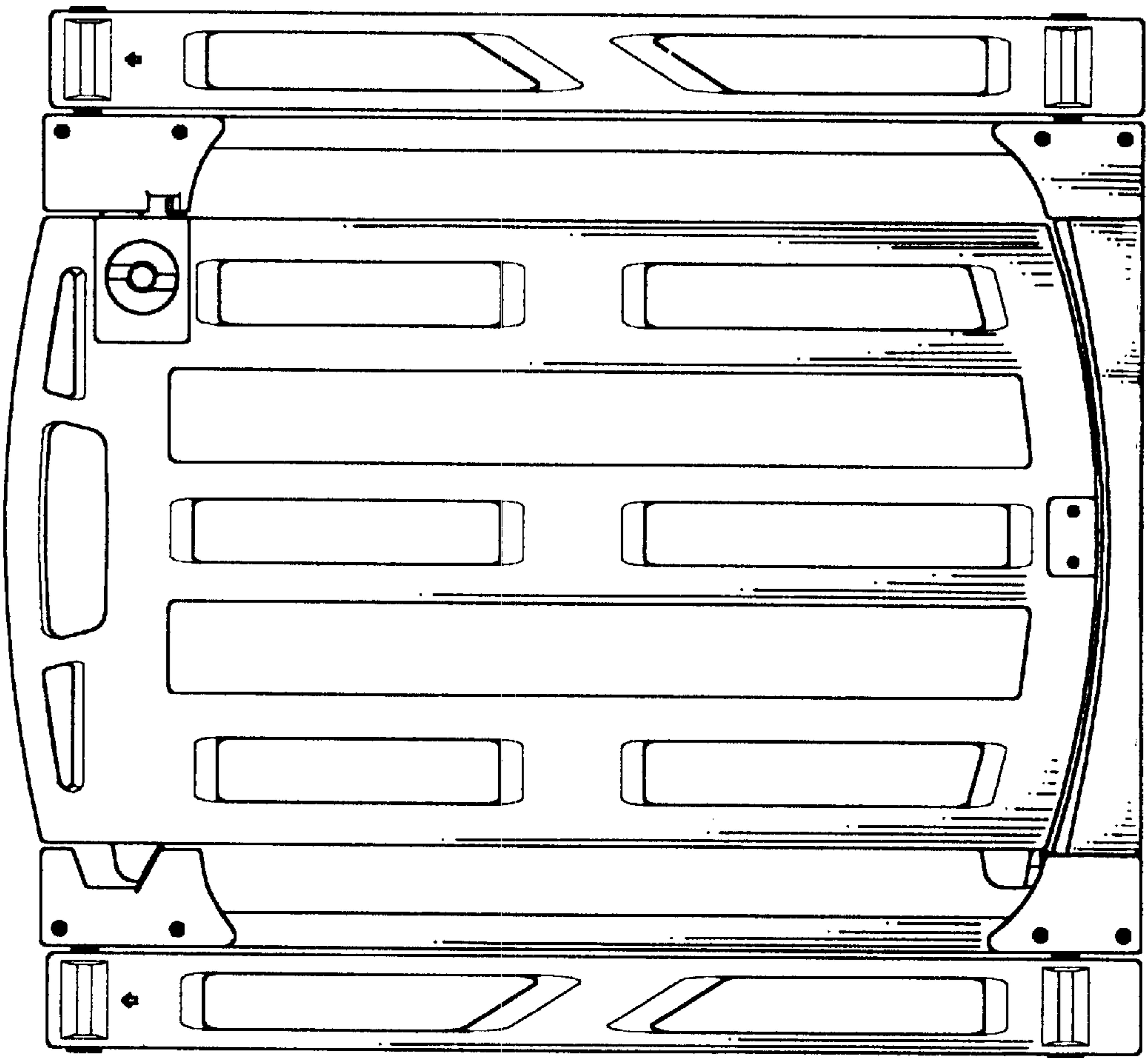


FIG. 1

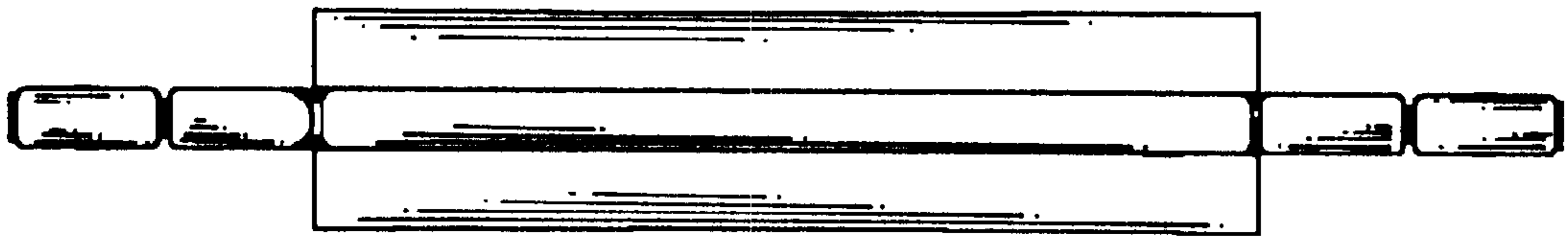


FIG. 3

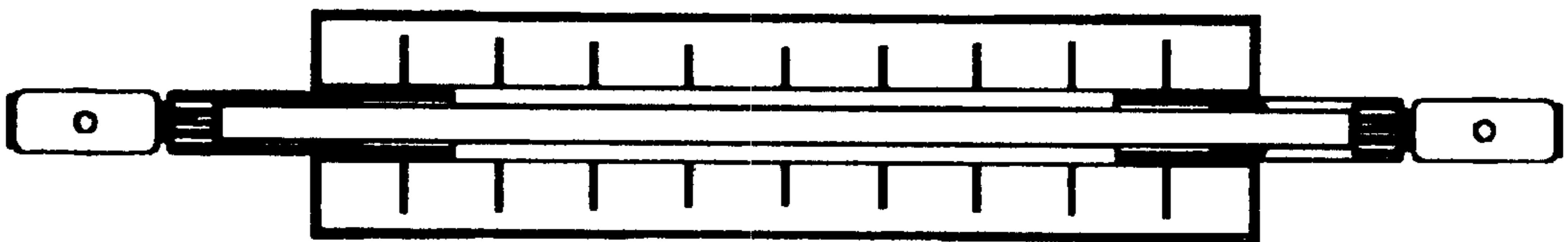


FIG. 6

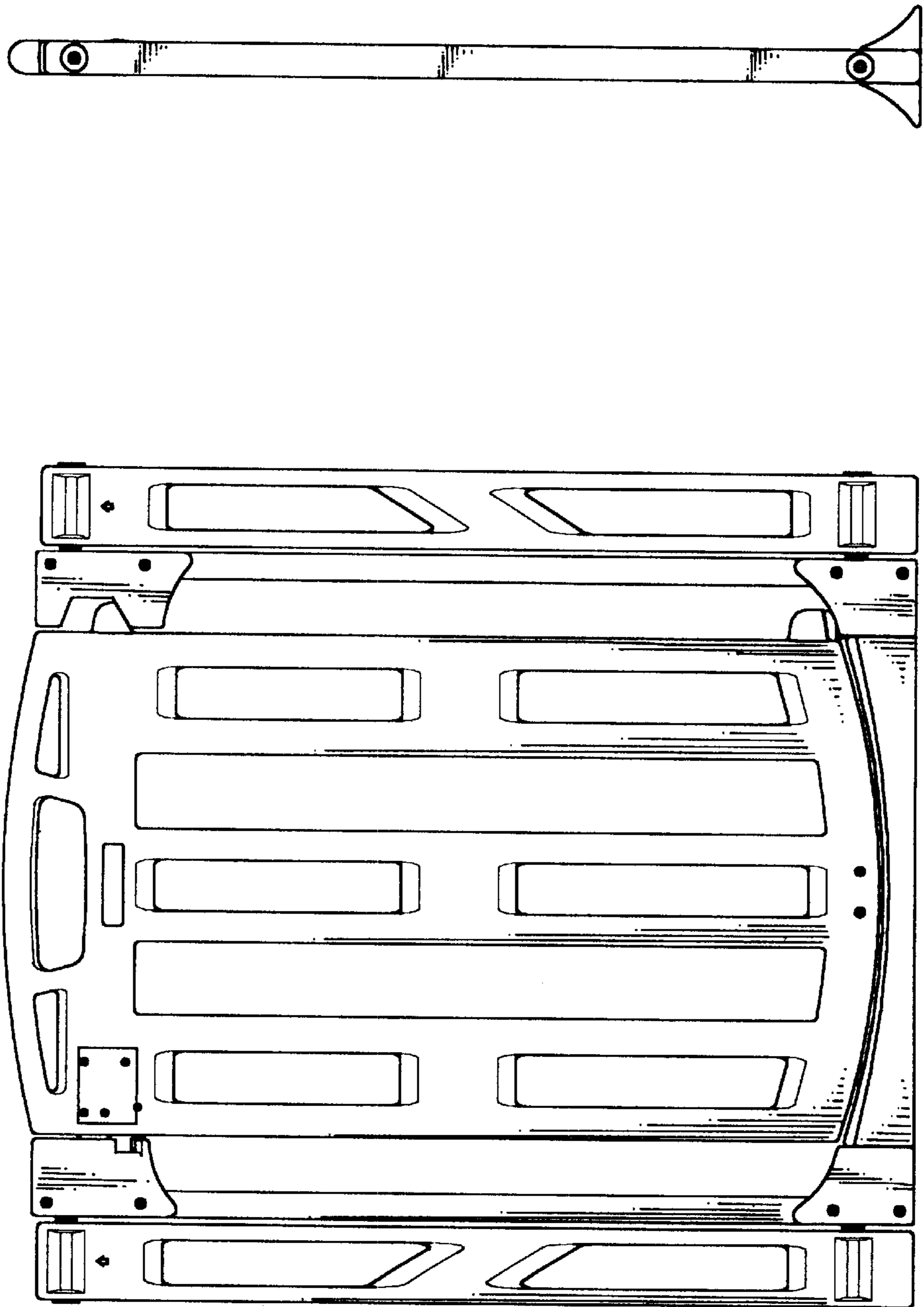


FIG. 5

FIG. 4

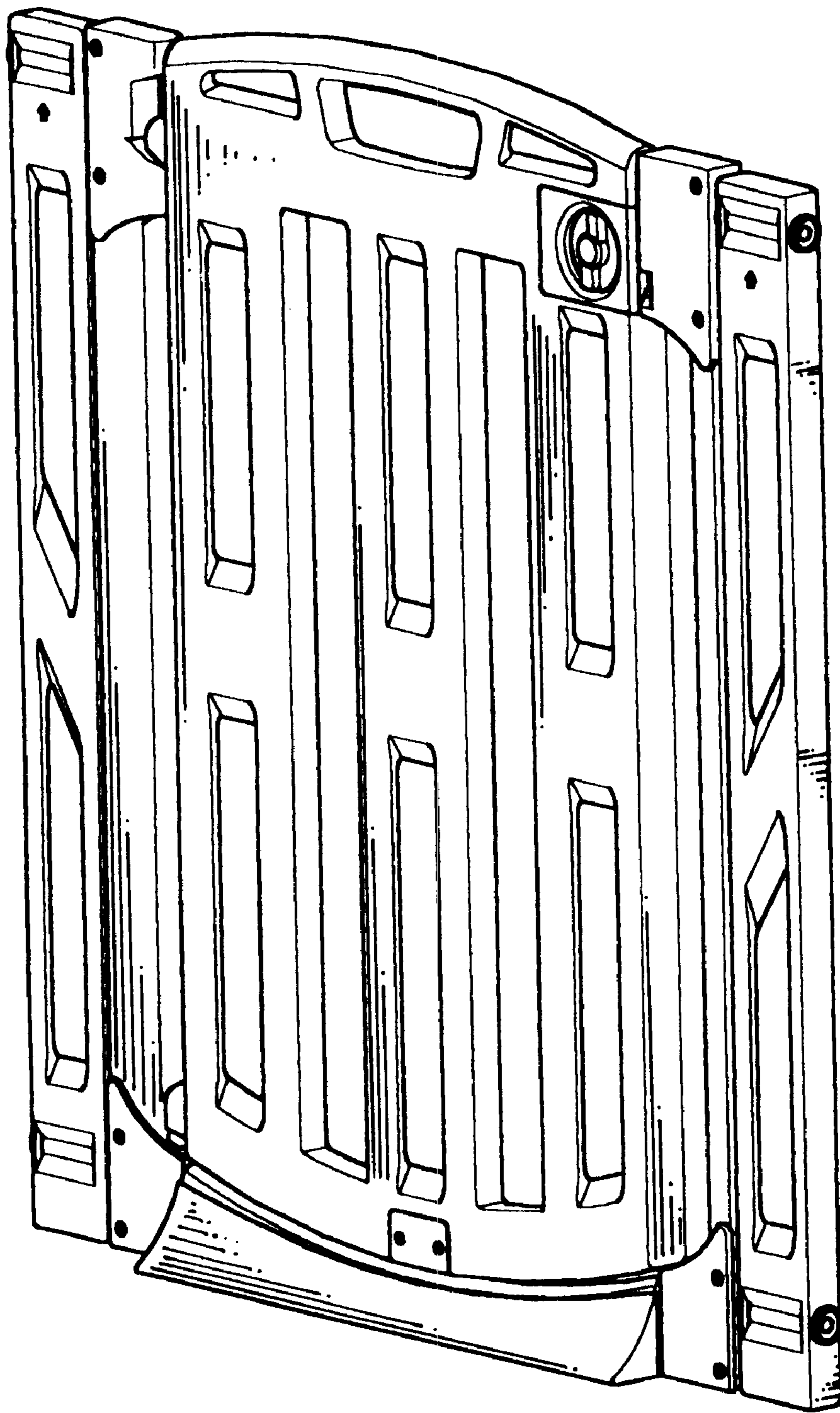


FIG. 7