



US00D457646S

(12) **United States Design Patent**
Hool et al.

(10) **Patent No.:** **US D457,646 S**

(45) **Date of Patent:** **** May 21, 2002**

(54) **DIAGNOSTIC INSTRUMENT**

D399,964 S * 10/1998 Katayama et al. D24/186

(75) Inventors: **Jason Dominik Hool**, 13747 Romany Dr., Pacific Palisades, CA (US) 90272; **Osamu Ohno**, 1910 Miramonte Ave., Mountain View, CA (US) 94040; **Mitsuru Oonuma**, 2-8-3 Simoigusa, Suginami Ward; **Seiji Kamimura**, 2-33-11 Nishimachi, both of Tokyo (JP)

* cited by examiner

Primary Examiner—Ian Simmons
(74) *Attorney, Agent, or Firm*—Douglas A. Chaikin; Peninsula IP Group

(73) Assignees: **Jason Dominik Hool; Osamu Ohno**, both of San Jose, CA (US); **Mitsuru Oonuma; Seiji Kamimura**, both of Tokyo (JP)

(57) **CLAIM**

The ornamental design for a diagnostic instrument, substantially as shown and described.

(**) Term: **14 Years**

DESCRIPTION

(21) Appl. No.: **29/141,414**

This invention relates generally to instruments for performing diagnostic analysis on a variety of liquid samples, particularly biological samples.

(22) Filed: **May 3, 2001**

FIG. 1 is perspective elevational view illustrating a first embodiment of the diagnostic instrument in accordance with this invention in a fully closed position.

(51) **LOC (7) Cl.** **24-01**

(52) **U.S. Cl.** **D24/232; D24/231**

(58) **Field of Search** D24/232, 231, D24/186; D10/81; 422/81, 102, 100, 62, 68.1, 67

FIG. 2 is a top view of the diagnostic instrument of FIG. 1. FIG. 3 is a bottom view of the diagnostic instrument of FIG. 1.

FIG. 4 is a front elevational view of the diagnostic instrument of FIG. 1.

FIG. 5 is a rear elevational view of the diagnostic instrument of FIG. 1.

FIG. 6 is side elevation view of the diagnostic instrument of FIG. 1; and,

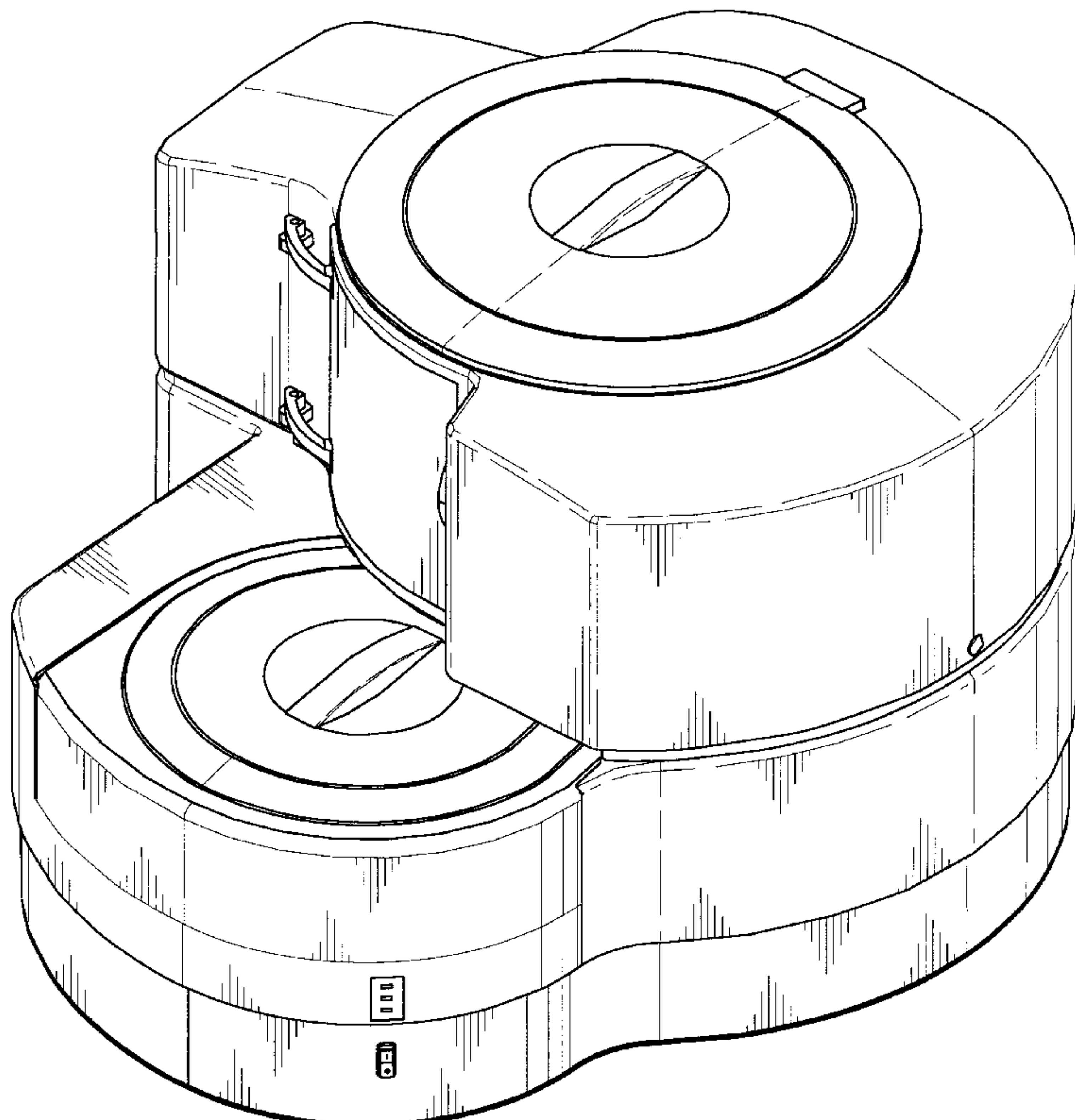
FIG. 7 is another side elevation view of the diagnostic instrument of FIG. 1.

(56) **References Cited**

U.S. PATENT DOCUMENTS

- D339,639 S * 9/1993 Ohnuma et al. D24/232
- D349,861 S * 8/1994 Kanewske et al. D10/81
- D380,273 S * 6/1997 Emerson et al. D24/232

1 Claim, 7 Drawing Sheets



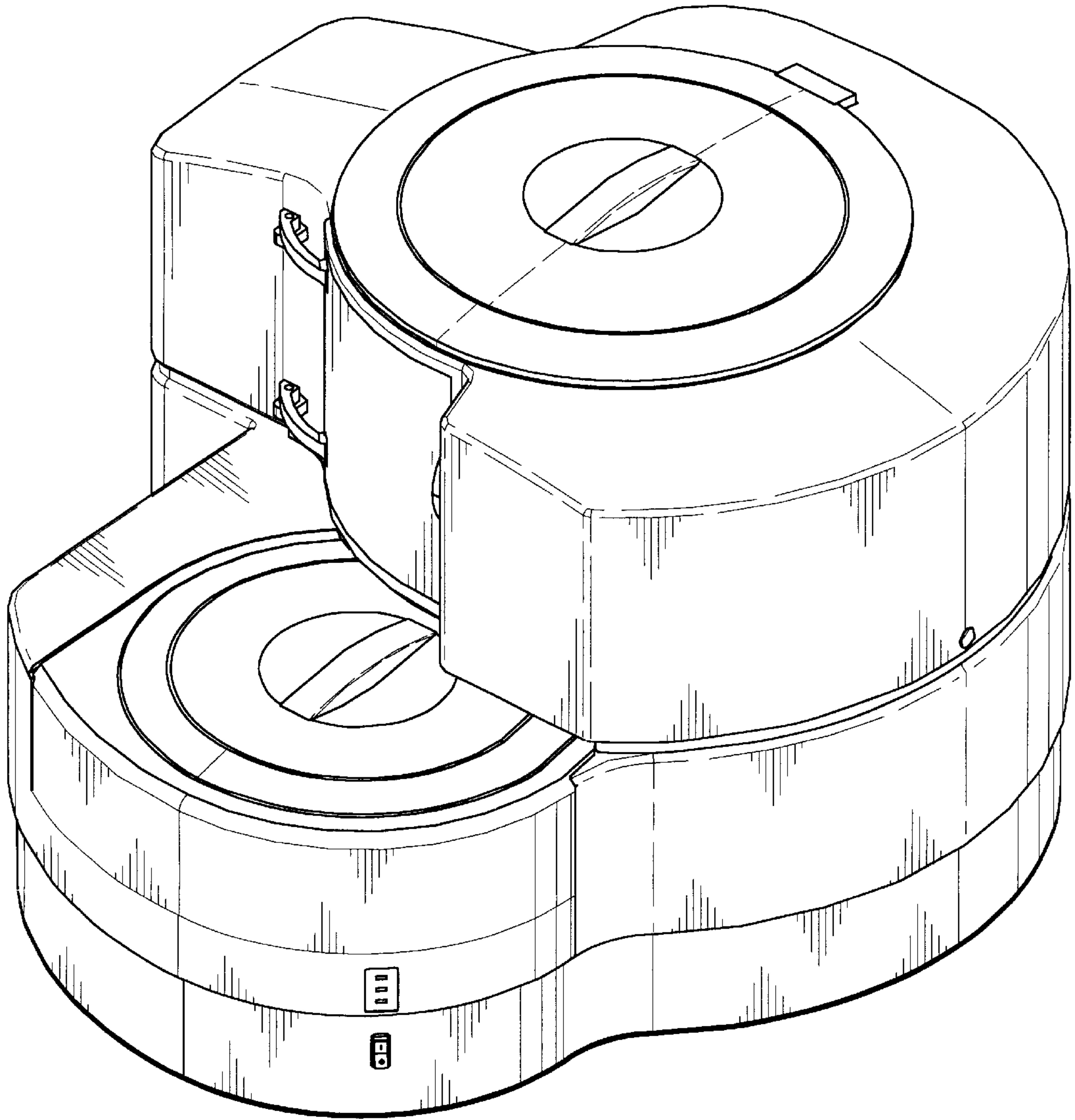


FIG.-1

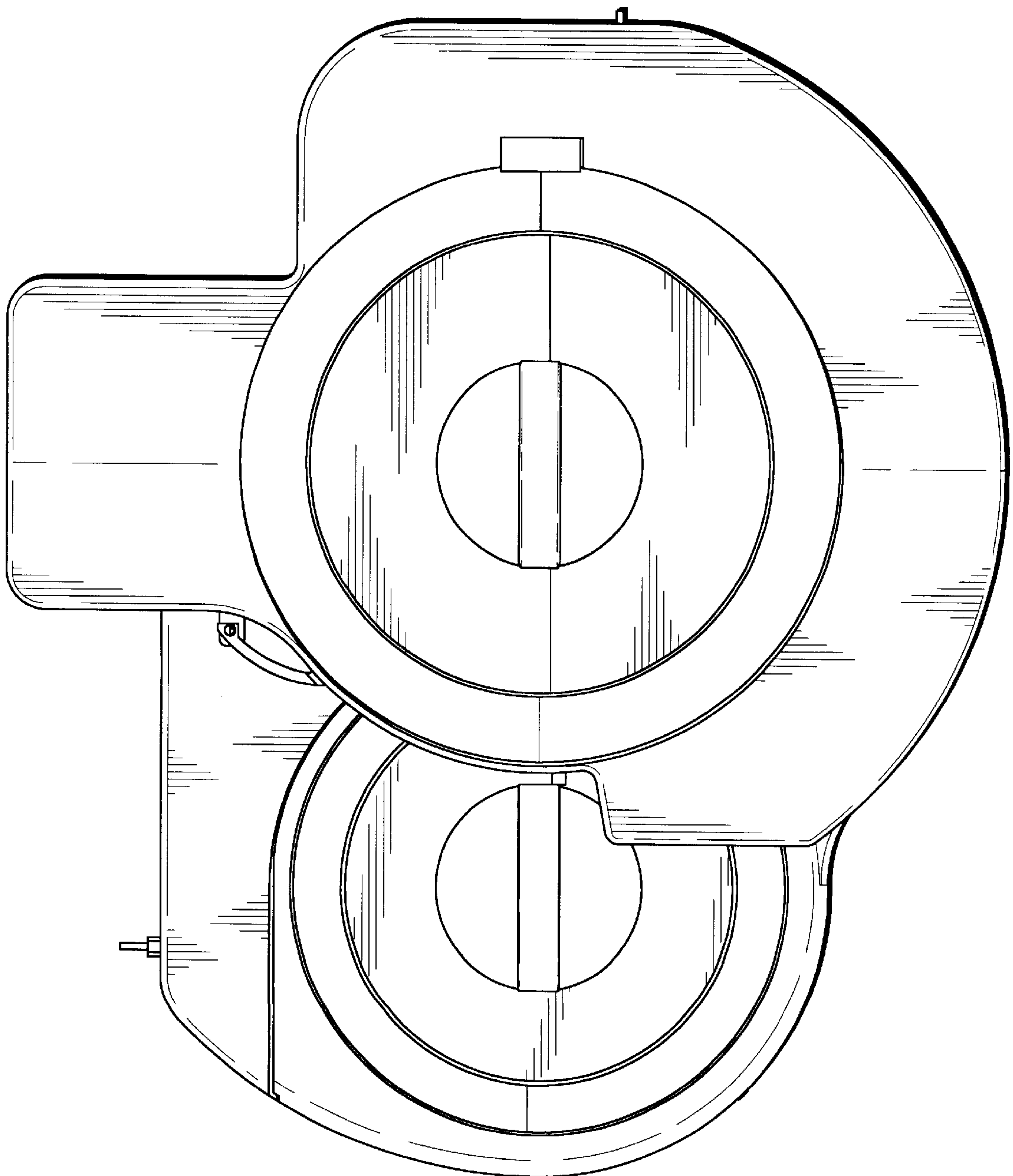


FIG.--2

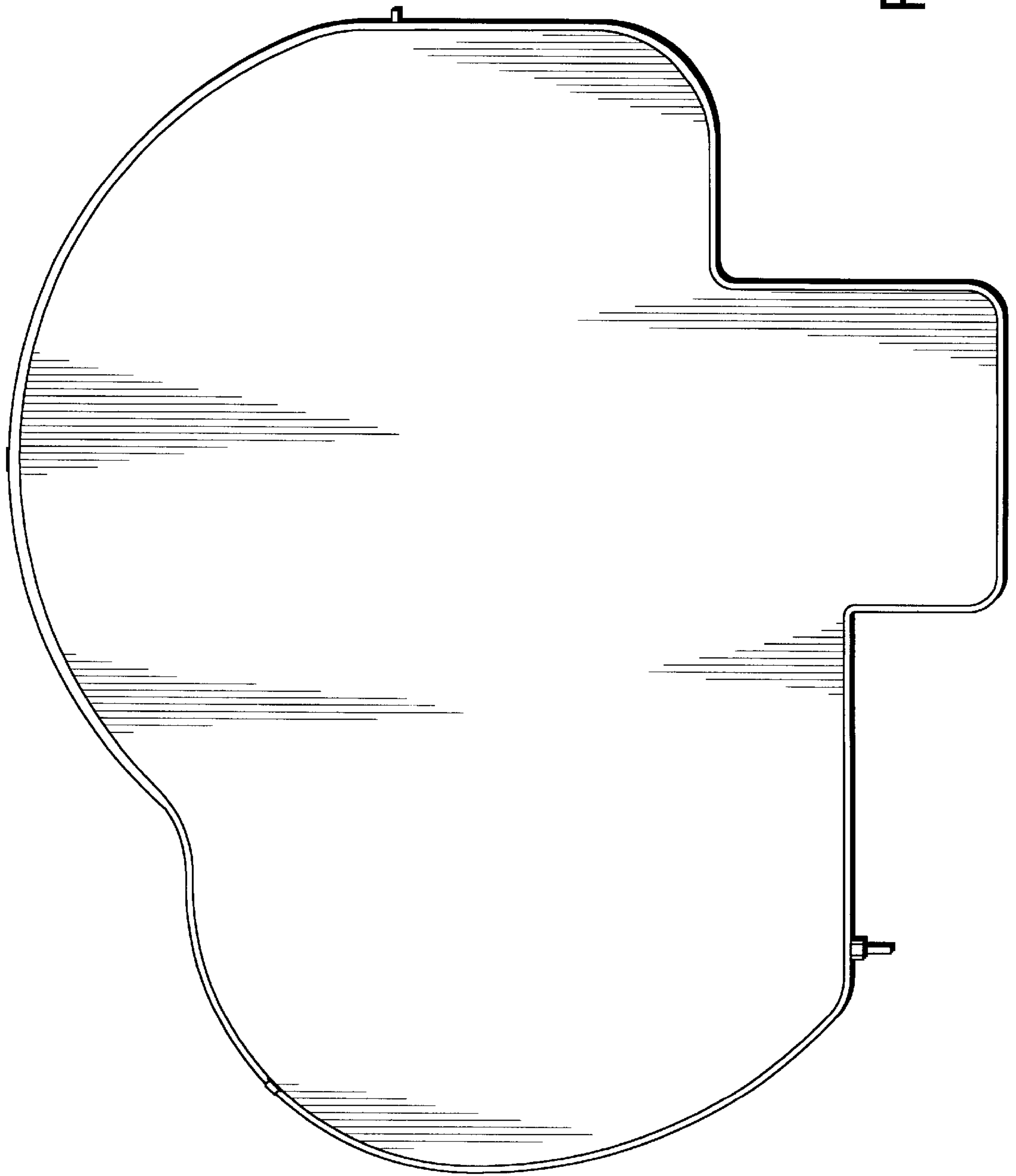


FIG. - 3

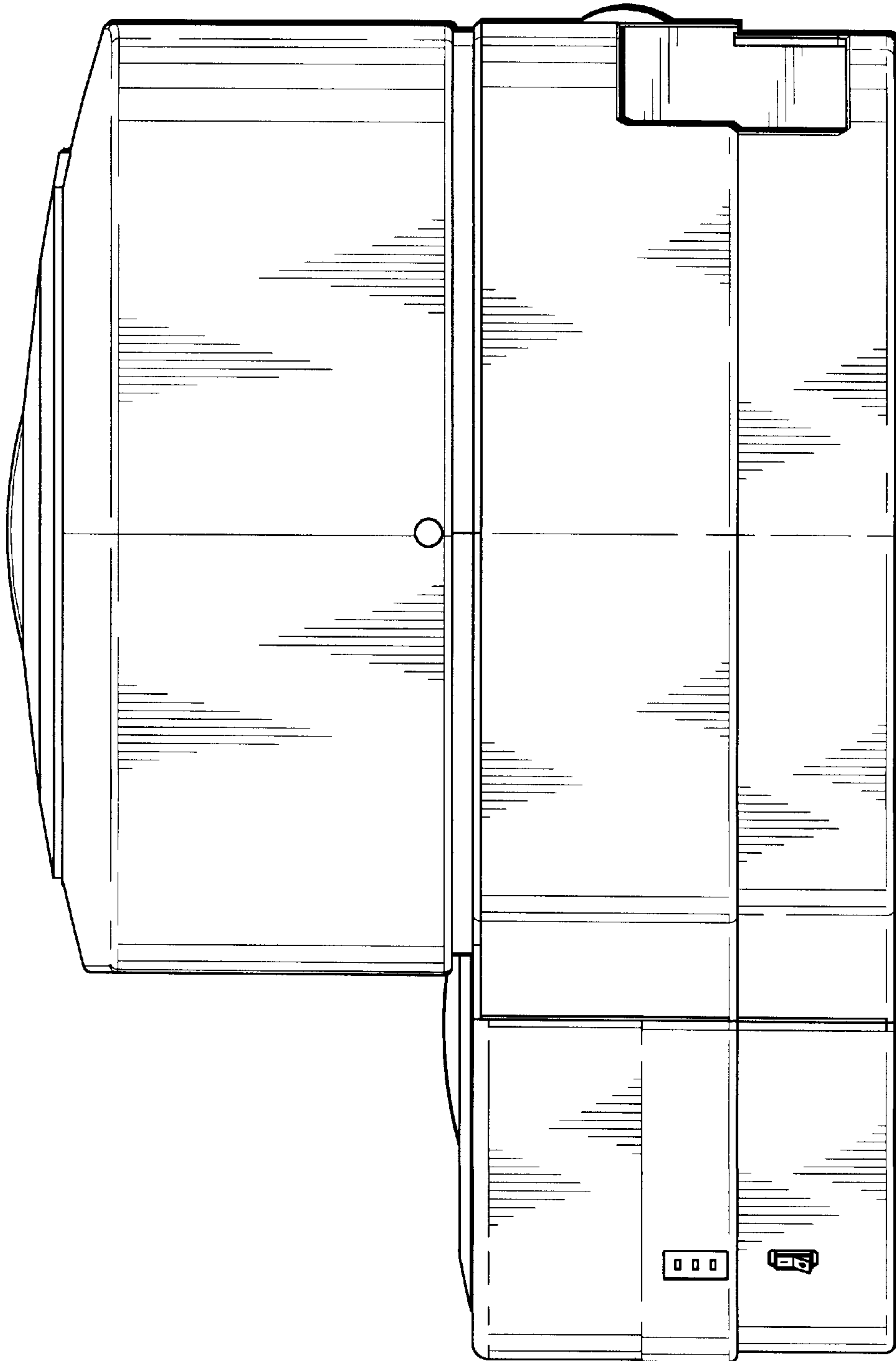


FIG. -- 4

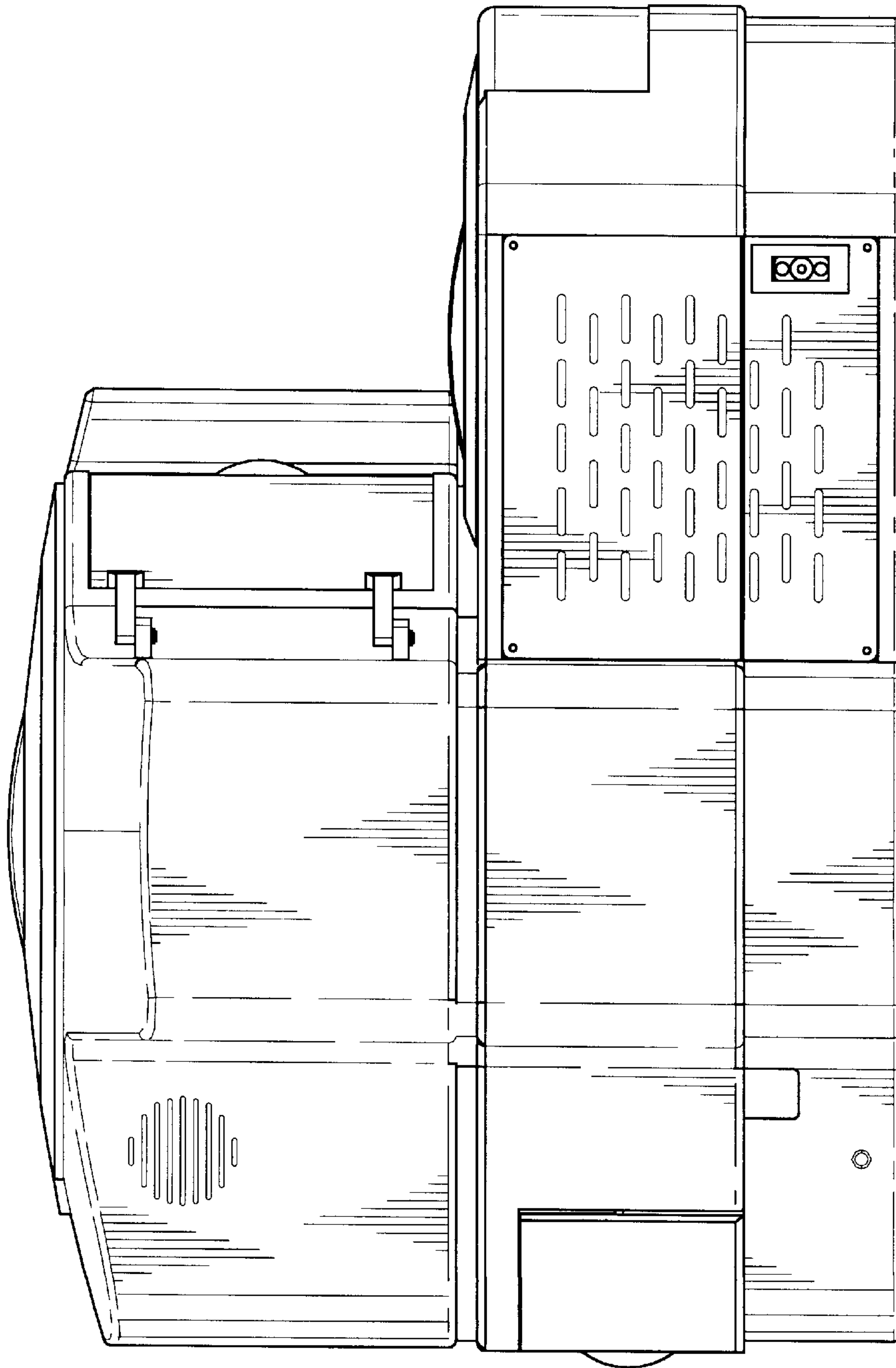


FIG. -5

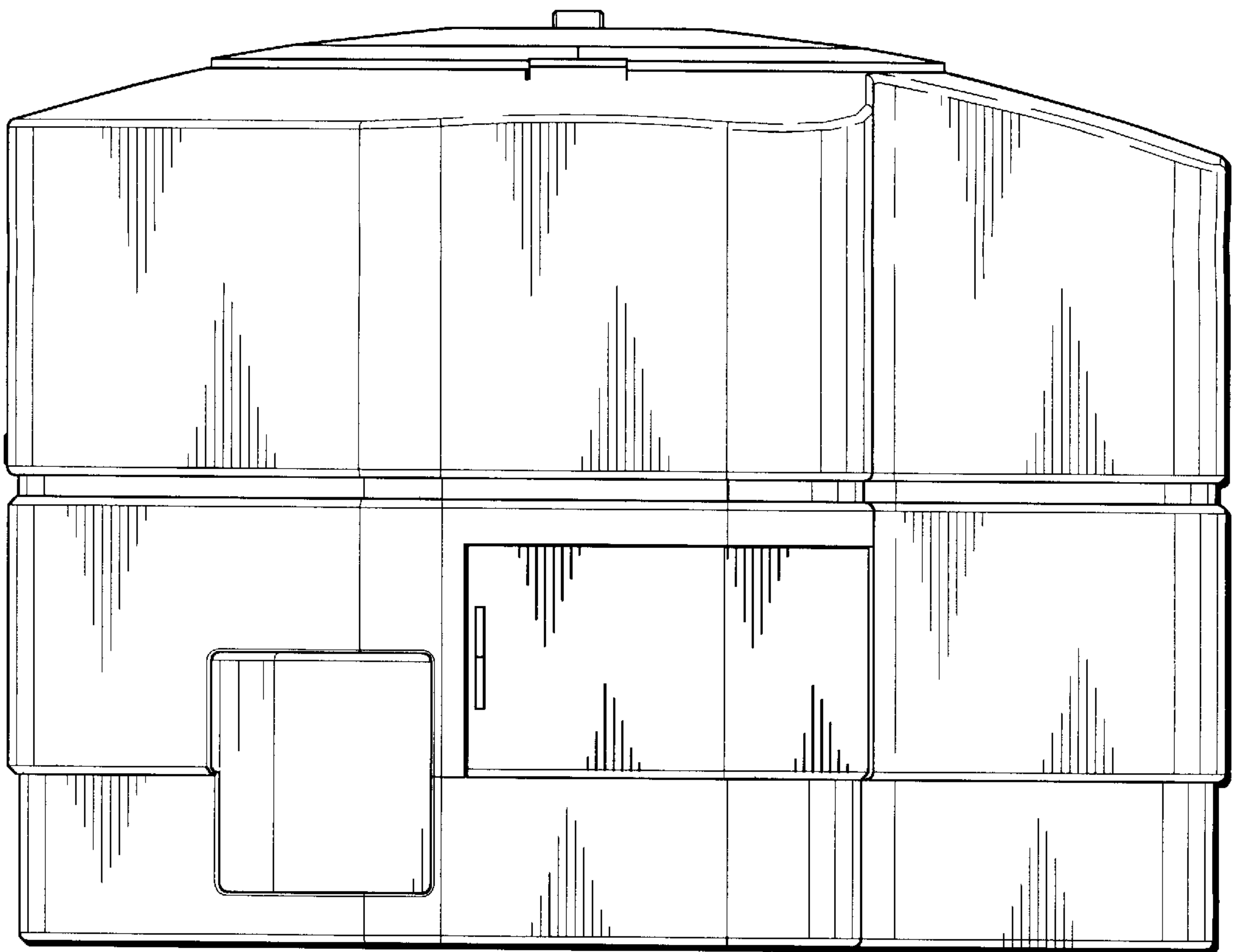


FIG.-6

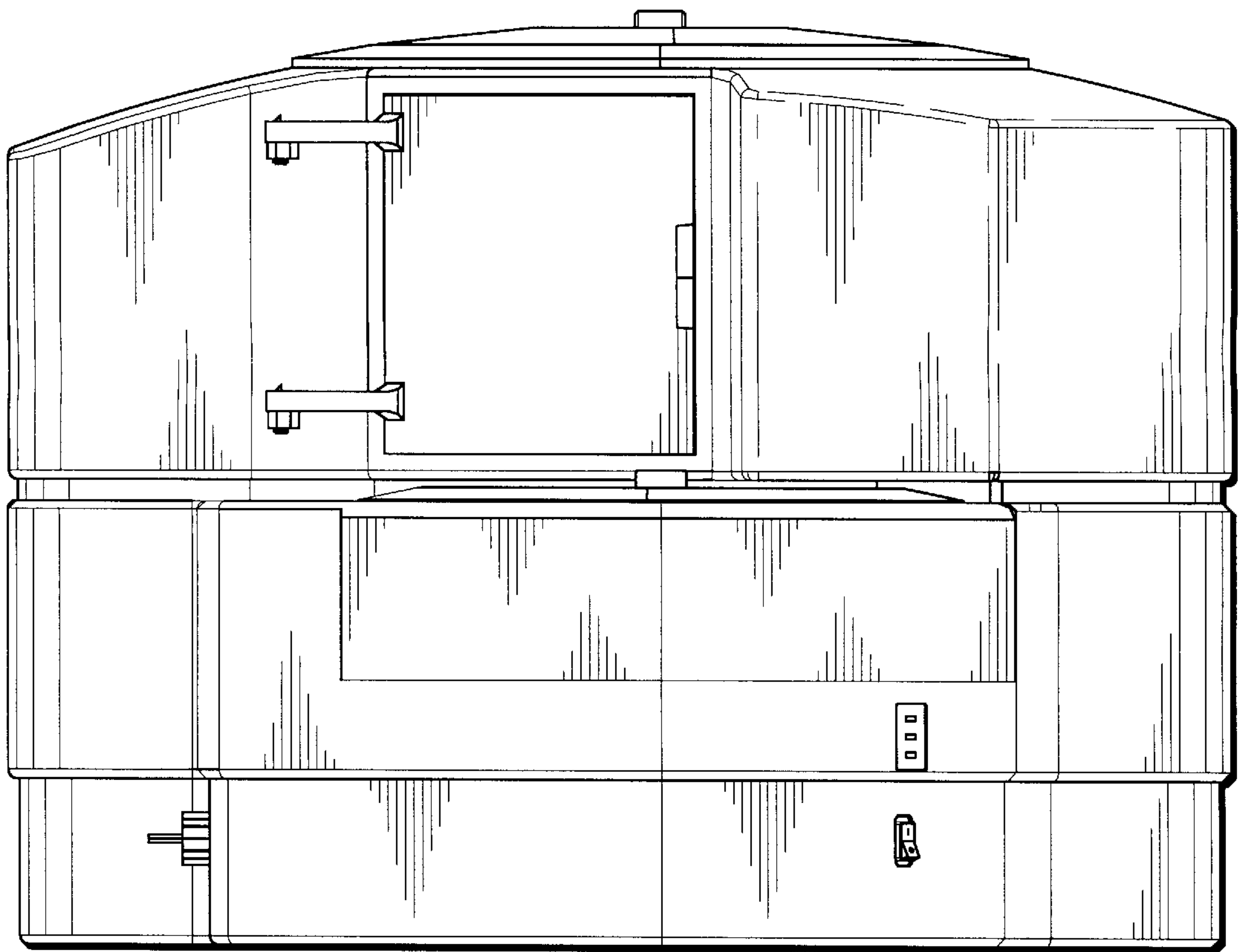


FIG.-7