



US00D457641S

(12) **United States Design Patent**
Lai

(10) **Patent No.:** **US D457,641 S**

(45) **Date of Patent:** **** May 21, 2002**

(54) **PROTECTIVE COVER FOR AN ACUPUNCTURE DEVICE**

D363,553 S * 10/1995 Lee D24/200

* cited by examiner

(75) Inventor: **Ting Peng Lai**, Taipei Hsien (TW)

Primary Examiner—Stella Reid

(73) Assignee: **Yeou-Lian Electronic Co., Ltd.**, Taipei Hsien (TW)

(74) *Attorney, Agent, or Firm*—Rosenberg, Klein & Lee

(**) Term: **14 Years**

(57) **CLAIM**

The ornamental design of a “protective cover for an acupuncture device”, as shown and described.

(21) Appl. No.: **29/124,908**

DESCRIPTION

(22) Filed: **Jun. 13, 2000**

(30) **Foreign Application Priority Data**

Dec. 20, 1999 (TW) 088308333

(51) **LOC (7) Cl.** **24-04**

(52) **U.S. Cl.** **D24/200**

(58) **Field of Search** D24/200; 607/72, 607/59, 46; 600/548, 547; 128/907

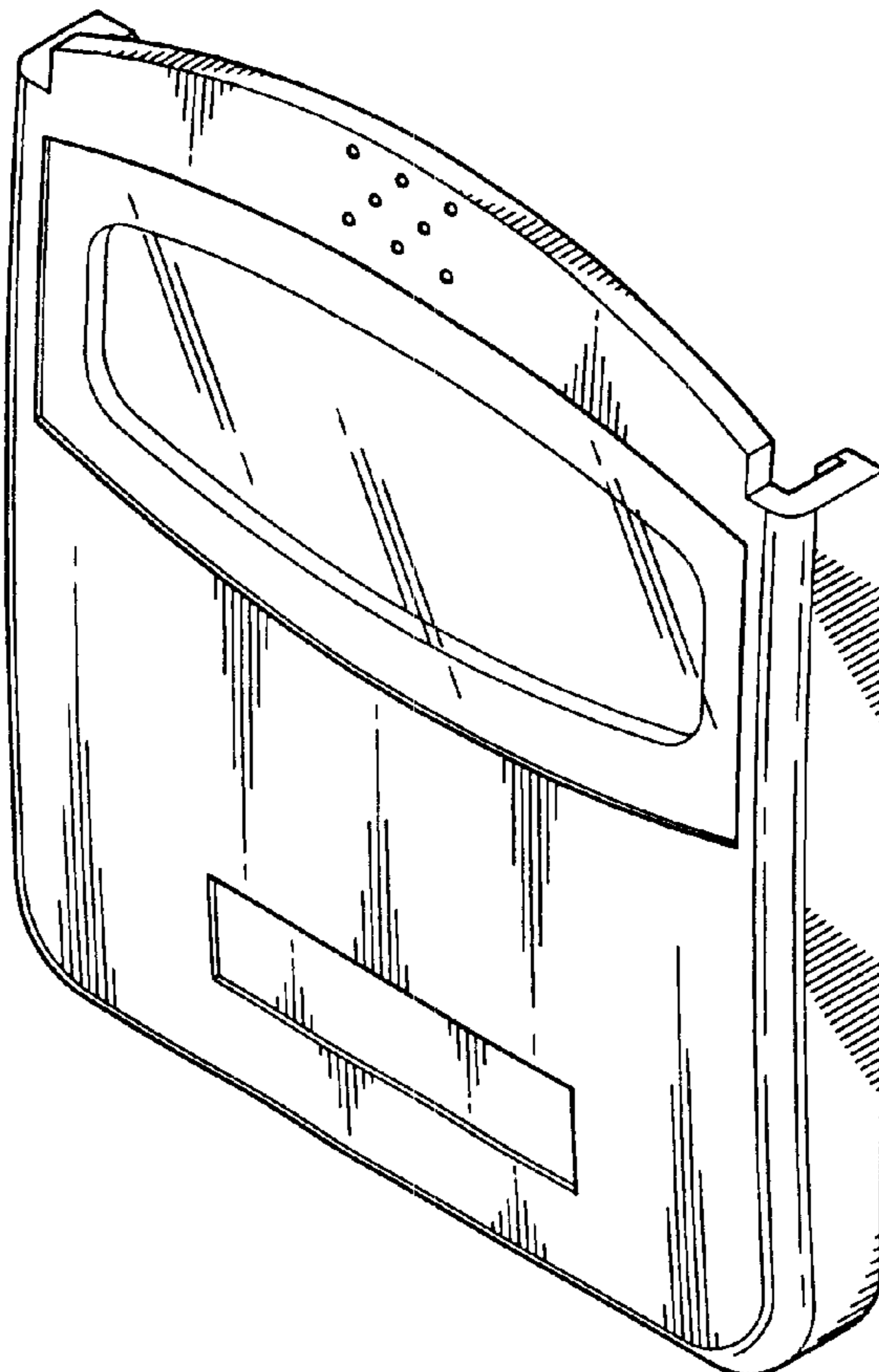
FIG. 1 is the perspective view of a “protective cover for an acupuncture device” showing my new design;
FIG. 2 is the front view thereof;
FIG. 3 is the rear view thereof;
FIG. 4 is the right side view thereof;
FIG. 5 is the left side view thereof;
FIG. 6 is the top view thereof;
FIG. 7 is the bottom view thereof;
FIG. 8 is a view showing the application thereof with the acupuncture device shown in broken lines for illustrative purposes only and forming no part of the claimed design; and,
FIG. 9 is another view showing the application thereof with the acupuncture device shown in broken lines for illustrative purposes only and forming no part of the claimed design.

(56) **References Cited**

U.S. PATENT DOCUMENTS

- D290,095 S * 6/1987 Montalbano et al. D10/78
- 4,759,368 A * 7/1988 Spanton et al. 607/46
- D299,748 S * 2/1989 Robertson D24/144
- 4,966,164 A * 10/1990 Colsen et al. 607/72
- 4,989,605 A * 2/1991 Rossen 607/46
- D350,206 S * 8/1994 Mochida D24/200

1 Claim, 5 Drawing Sheets



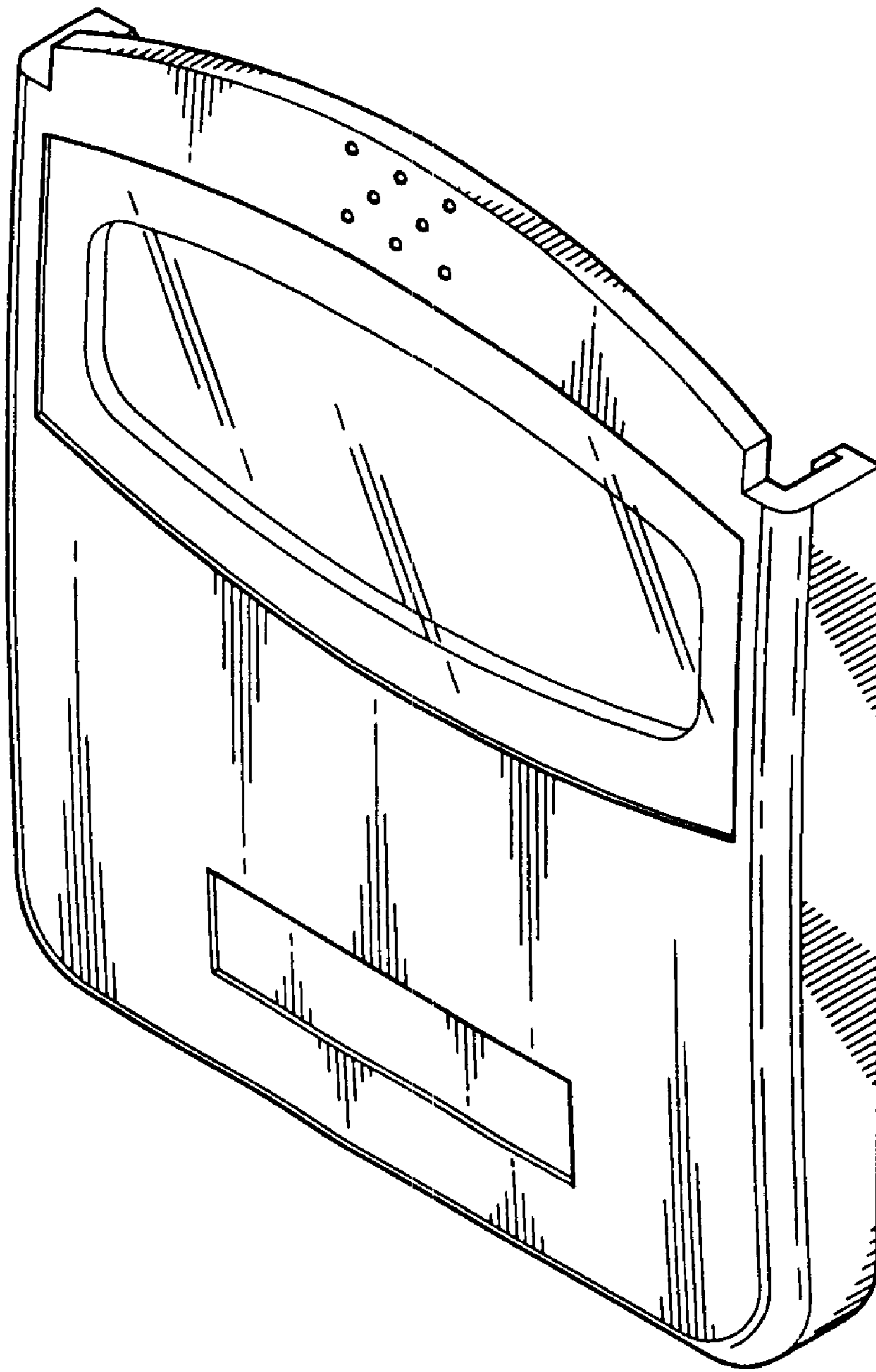


FIG. 1

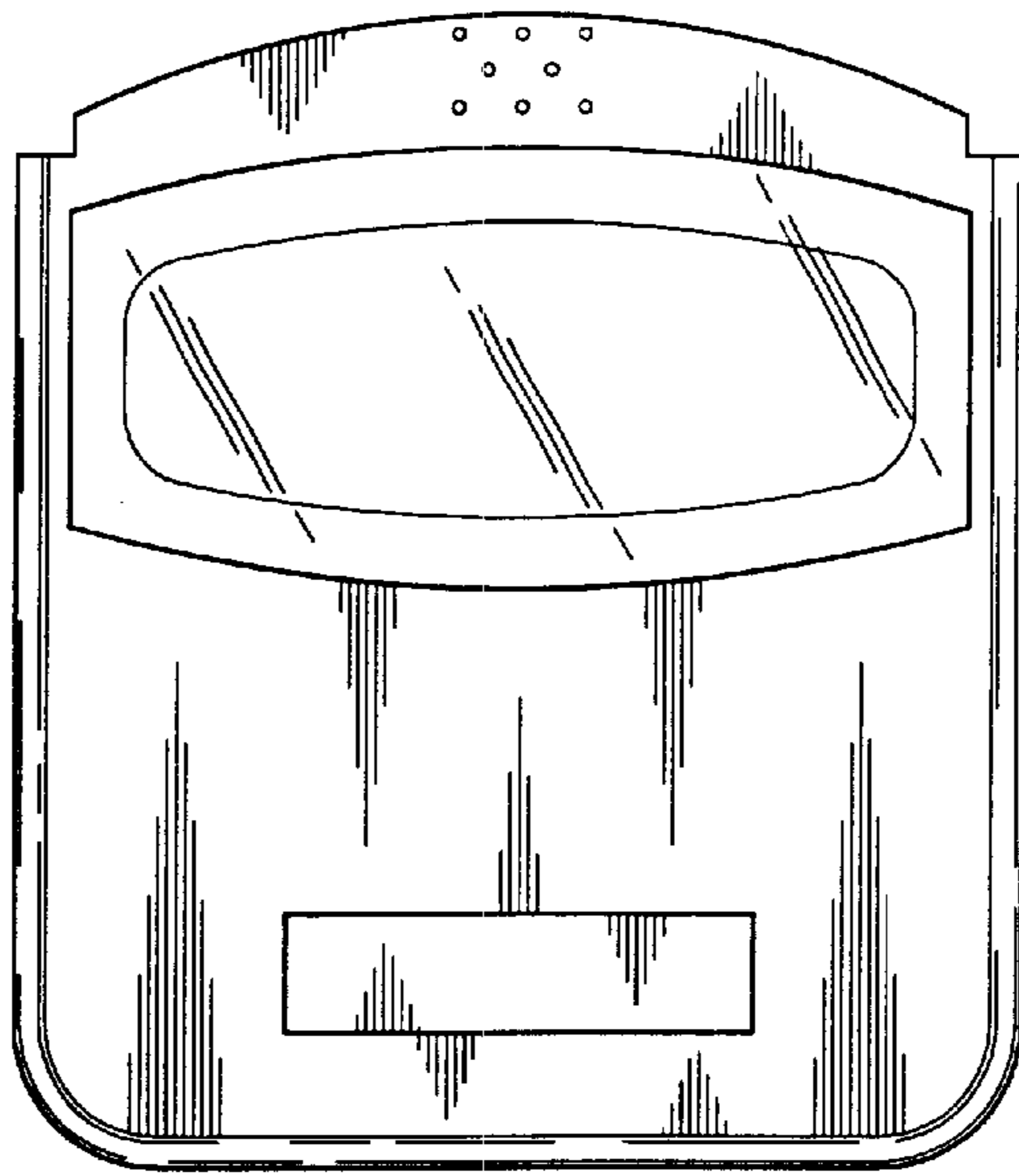


FIG. 2

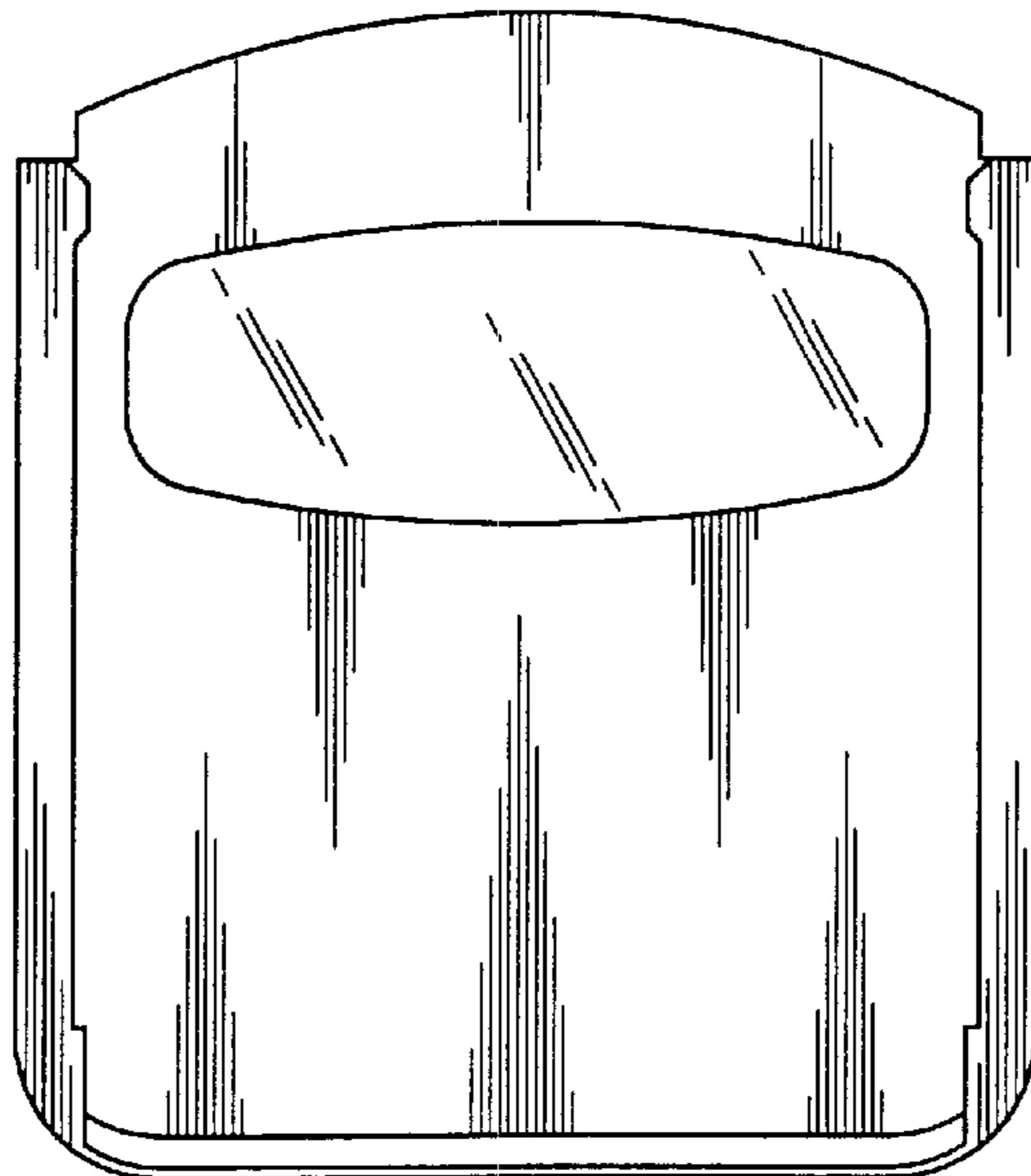


FIG. 3

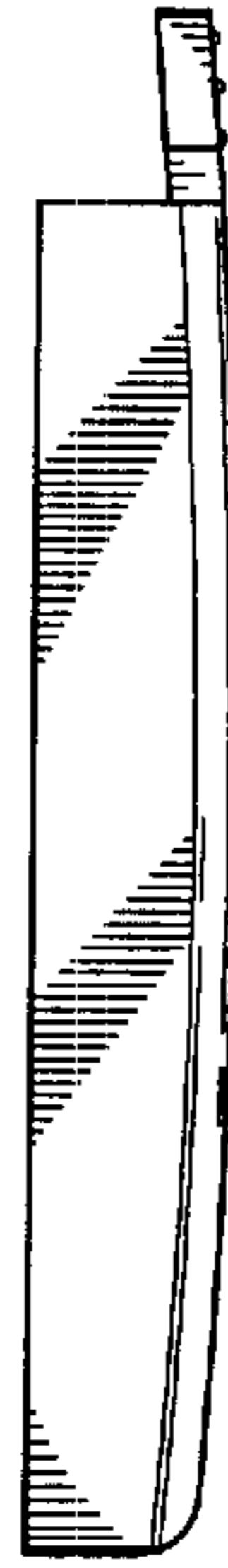


FIG. 4

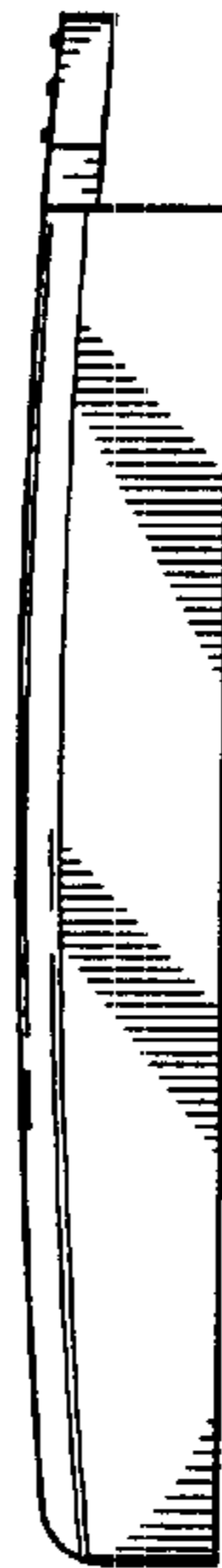


FIG. 5

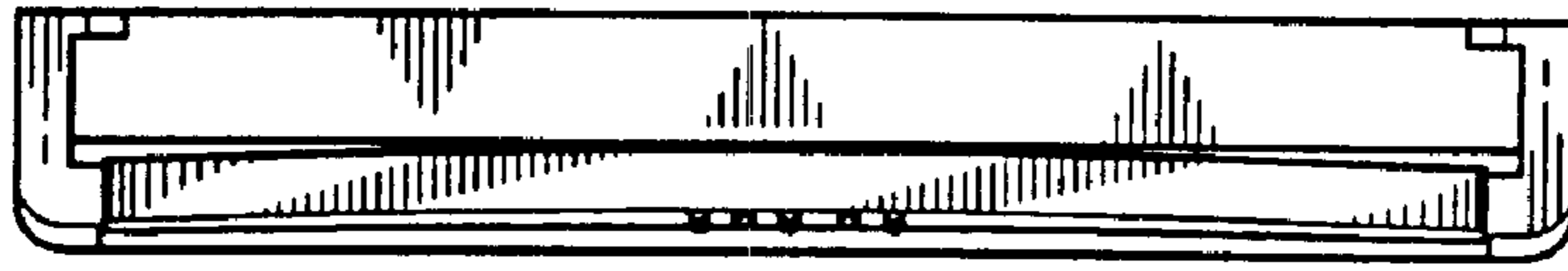


FIG. 6

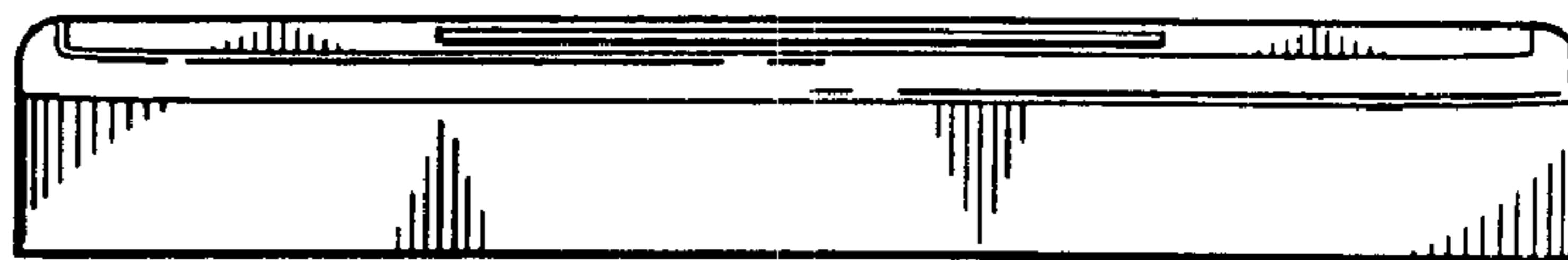


FIG. 7

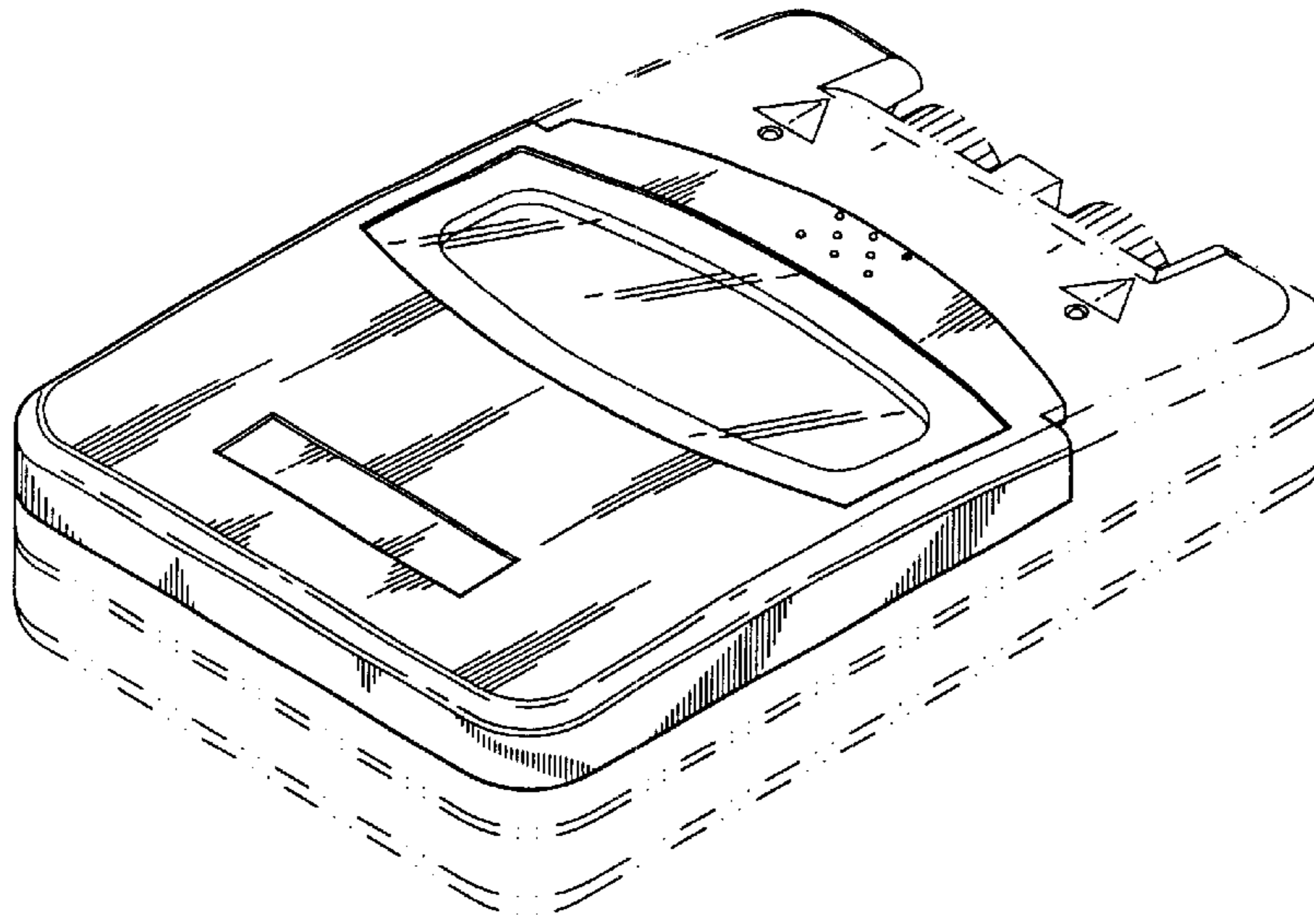


FIG. 8

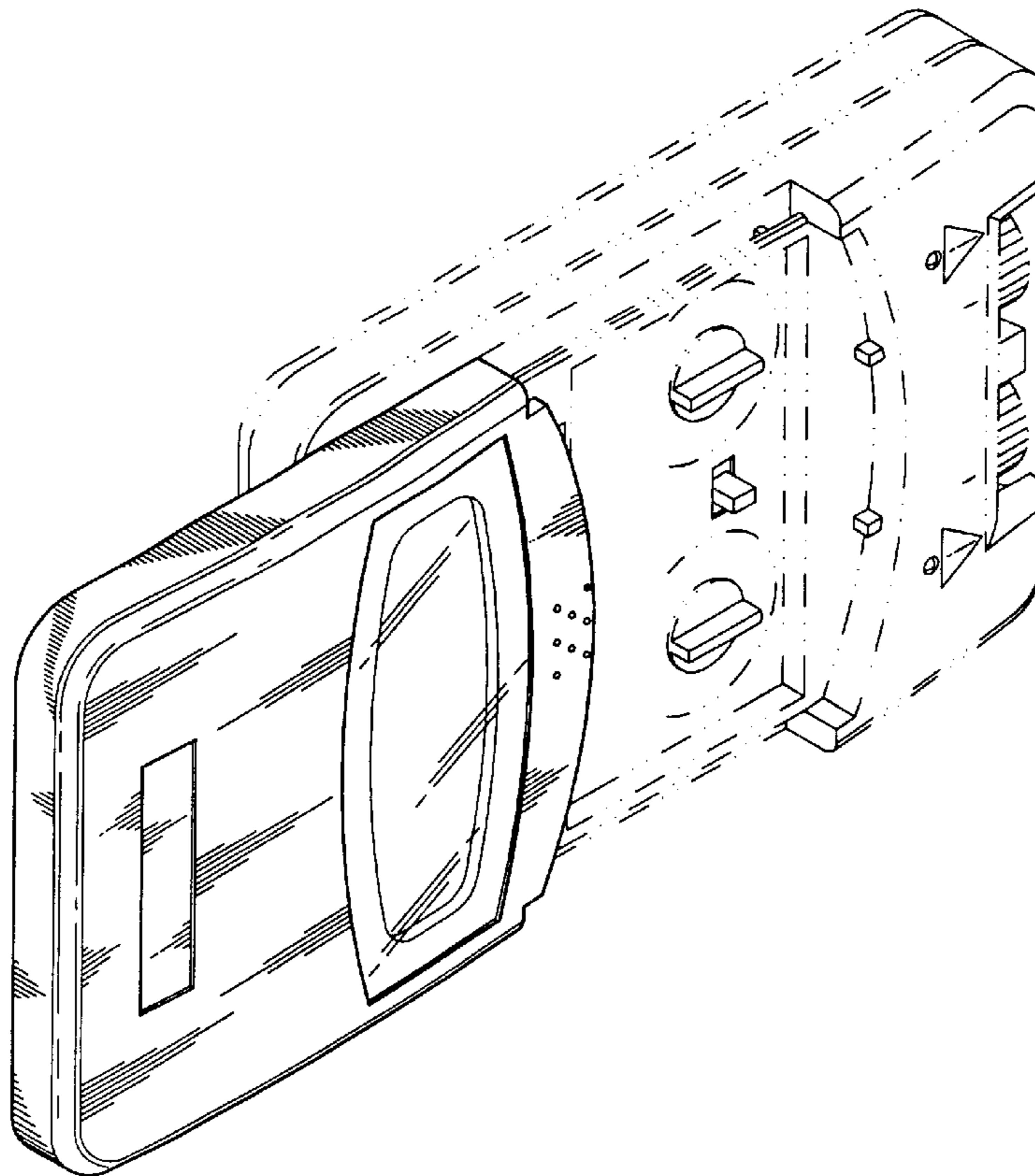


FIG. 9