



US00D457633S

(12) **United States Design Patent**
Daynes et al.

(10) **Patent No.:** **US D457,633 S**

(45) **Date of Patent:** **** May 21, 2002**

(54) **DOOR FOR A PORTABLE DEFIBRILLATOR**

(75) Inventors: **John C. Daynes**, Redmond; **Douglas J. Hill**, Newcastle; **Cathlene D. Buchanan**, Shoreline, all of WA (US)

(73) Assignee: **Medtronic Physio-Control Manufacturing Corp.**, Redmond, WA (US)

(**) Term: **14 Years**

(21) Appl. No.: **29/140,482**

(22) Filed: **Apr. 17, 2001**

(51) **LOC (7) Cl.** **24-01**

(52) **U.S. Cl.** **D24/167**

(58) **Field of Search** D24/167; 607/4,
607/5, 6

(56) **References Cited**

U.S. PATENT DOCUMENTS

4,096,856 A	6/1978	Smith et al.	
D253,609 S	* 12/1979	Smith et al.	D24/167
4,610,254 A	9/1986	Morgan et al.	
D291,245 S	* 8/1987	Lanci et al.	D24/167
D320,653 S	10/1991	Jones et al.	
D322,853 S	12/1991	Benson et al.	
D342,788 S	12/1993	Weaver et al.	
D357,318 S	4/1995	Hill et al.	
D392,739 S	3/1998	Bertagnole et al.	
D394,903 S	* 6/1998	Barkley et al.	D24/167
D402,758 S	* 12/1998	Barkley et al.	D24/167
5,935,152 A	8/1999	Merry et al.	
D414,869 S	10/1999	Daynes et al.	
D415,279 S	10/1999	Daynes et al.	
6,021,349 A	2/2000	Arand et al.	

OTHER PUBLICATIONS

“Lifepak® 2, Portable Battery Operated Defibrillator and Cardioscope,” Specification Sheet, Physio-Control Corp., at least as early as 1972.

“Lifepak® 3, Portable Battery Operated Cardioscope/Defibrillator,” Specification Sheet, Physio-Control Corp., at least as early as 1972.

“Lifepak® 4, Portable Battery Operated Cardioscope/Defibrillator, With ECG Recorder,” Specification Sheet, Physio-Control Corp., at least as early as 1974.

“Lifepak® 300, Automatic Advisory Defibrillator,” Operating Instructions, Physio-Control Corp., Mar. 1994.

“Lifepak® 11, Diagnostic Cardiac Monitor,” Operating Instructions, Physio-Control Corp., Apr. 1996, pp. cover, 2-2-2-5, 5-6.

* cited by examiner

Primary Examiner—Stella Reid

(74) *Attorney, Agent, or Firm*—Christensen O’Connor Johnson Kindness PLLC

(57) **CLAIM**

The ornamental design for a door for a portable defibrillator, as shown and described.

DESCRIPTION

FIG. 1 is a top perspective view of a door for a portable external defibrillator showing our new design in its environment;

FIG. 2 is a front perspective view of the door of FIG. 1;

FIG. 3 is a front plan view of the door of FIG. 1;

FIG. 4 is a back plan view of the door of FIG. 1;

FIG. 5 is a top plan view of the door of FIG. 1;

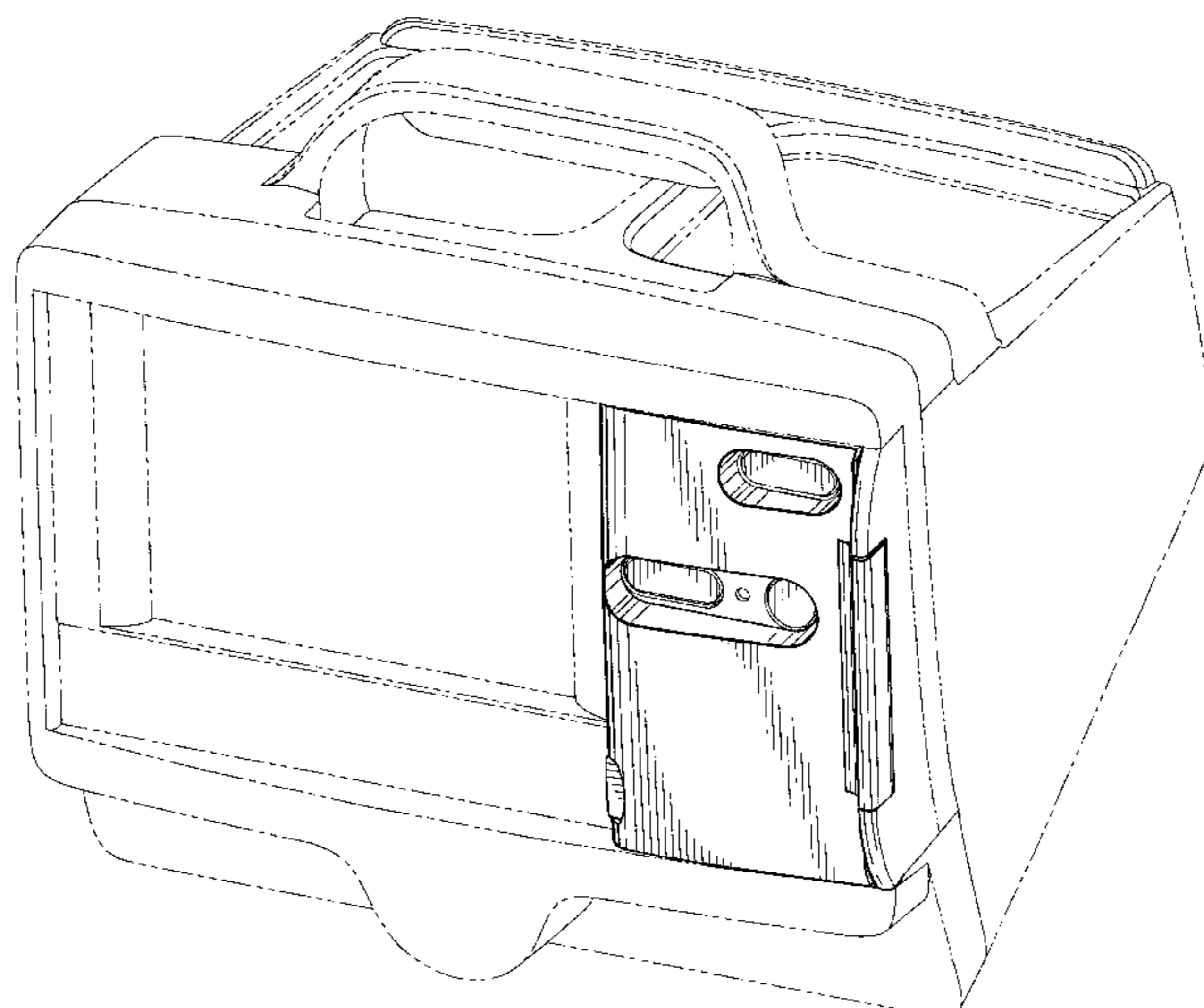
FIG. 6 is a left side plan view of the door of FIG. 1;

FIG. 7 is a right side plan view of the door of FIG. 1; and,

FIG. 8 is a bottom plan view of the door of FIG. 1.

The broken line showing of the defibrillator in FIG. 1 is a for illustrative purposes only and forms no part of the claimed design.

1 Claim, 4 Drawing Sheets



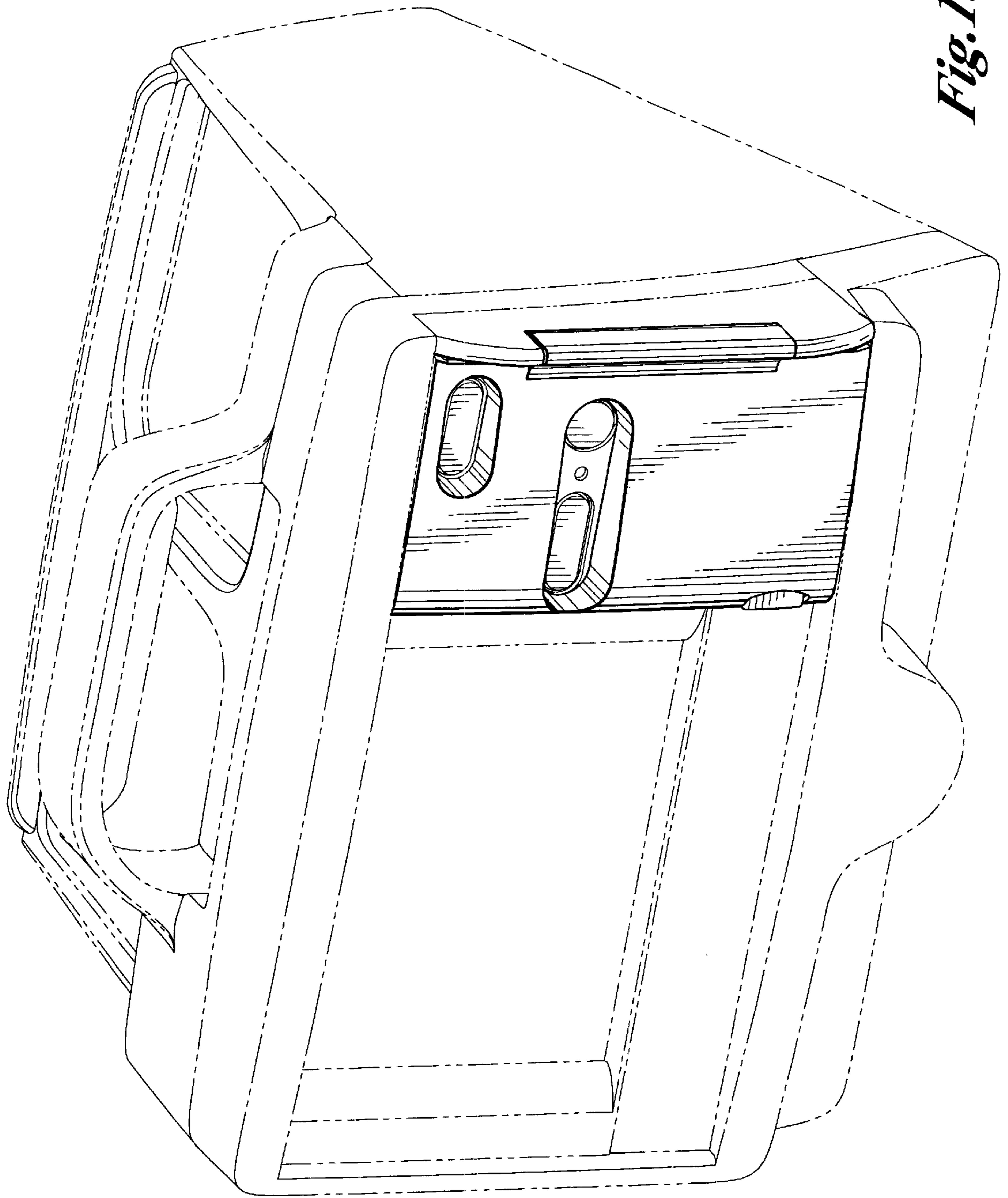
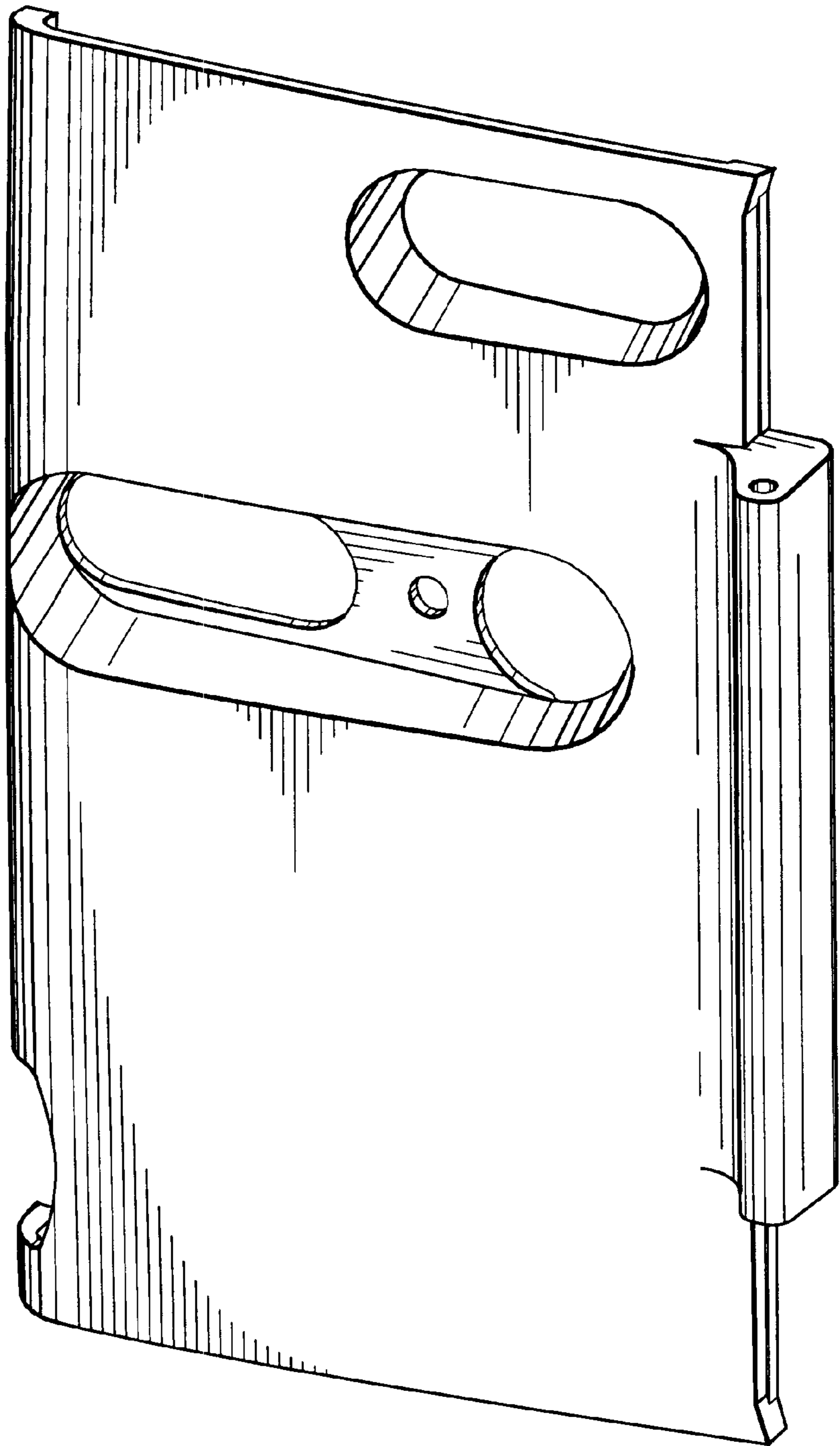


Fig. 1.

Fig. 2.



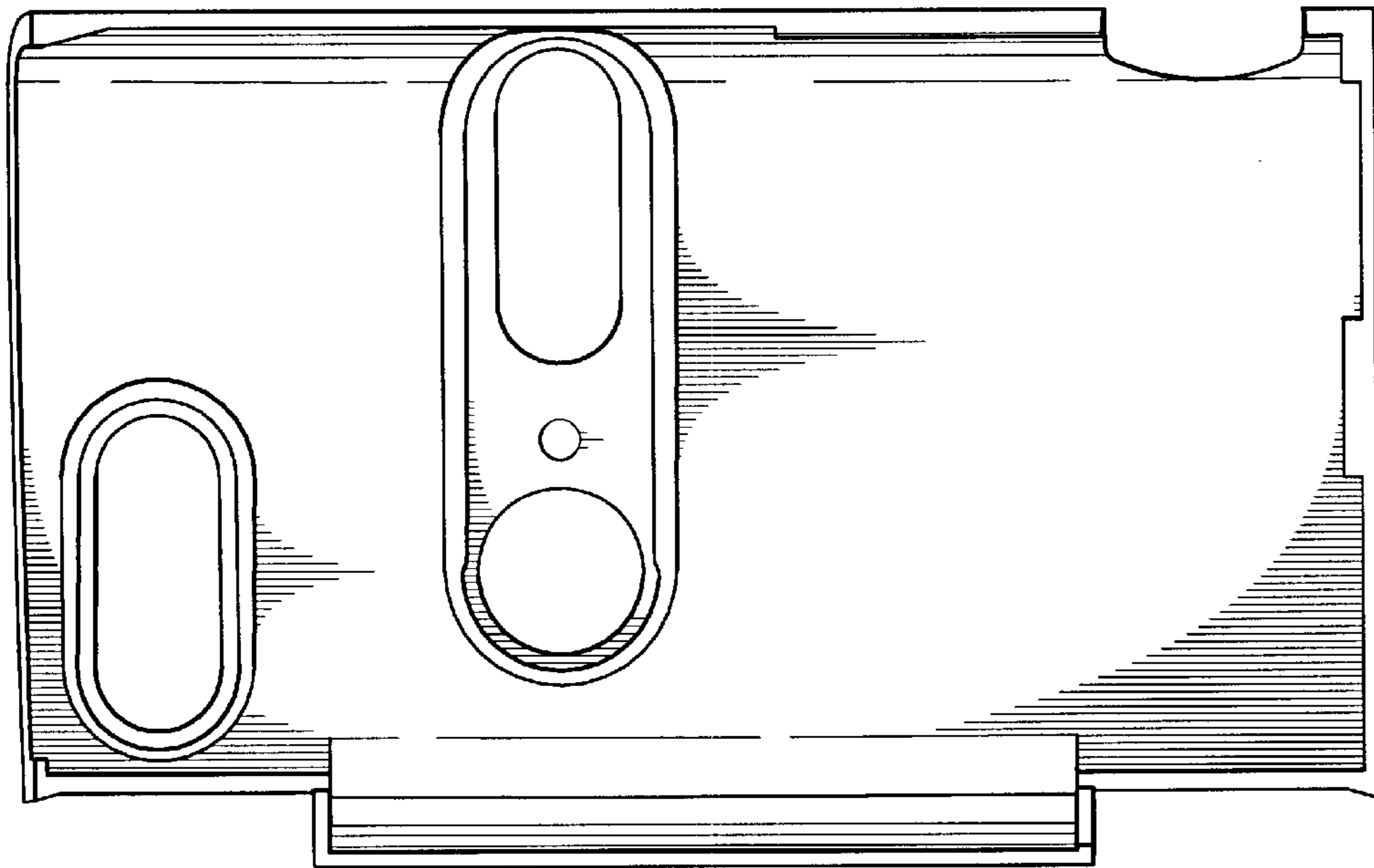


Fig. 4.

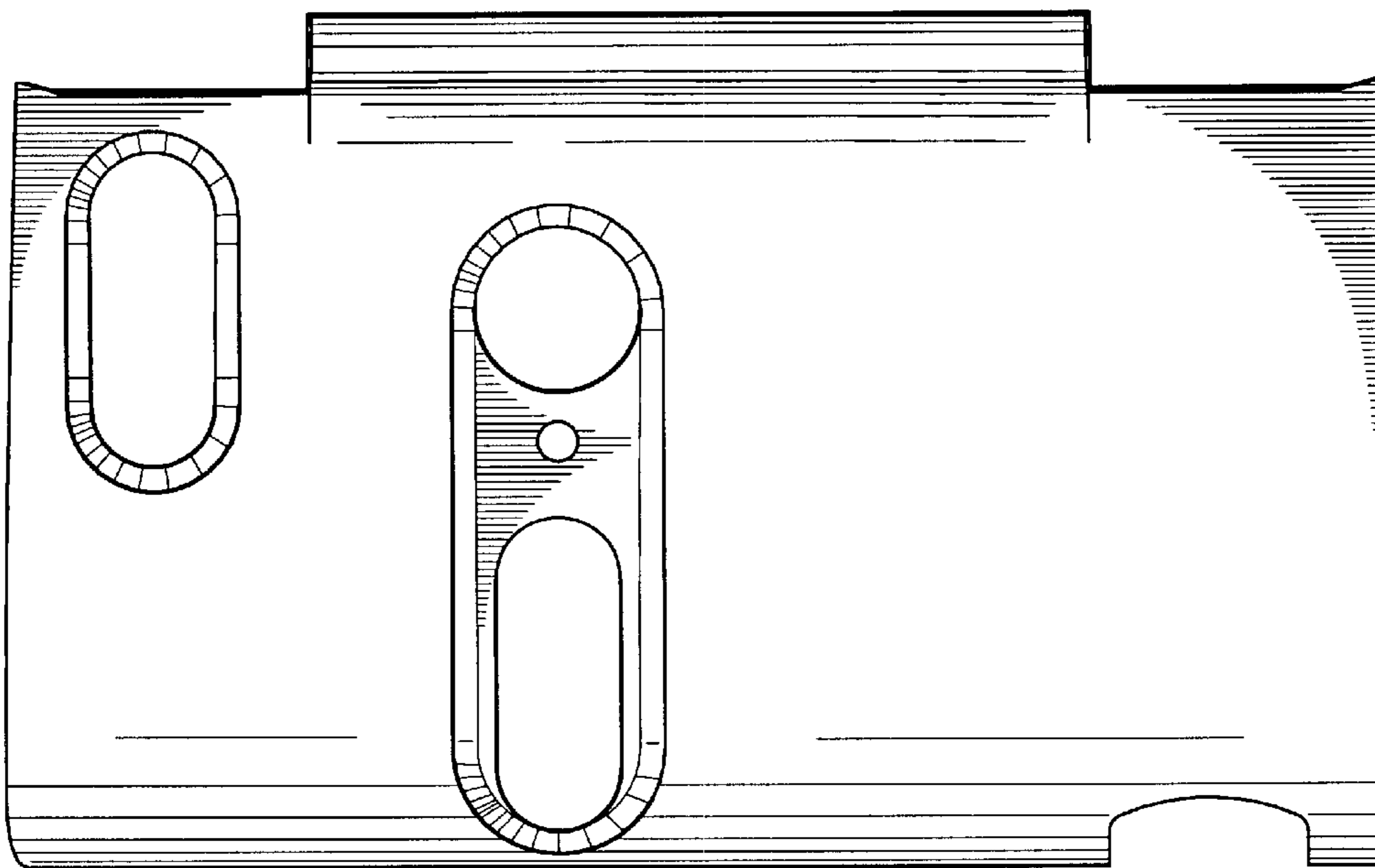


Fig. 3.



Fig. 5.

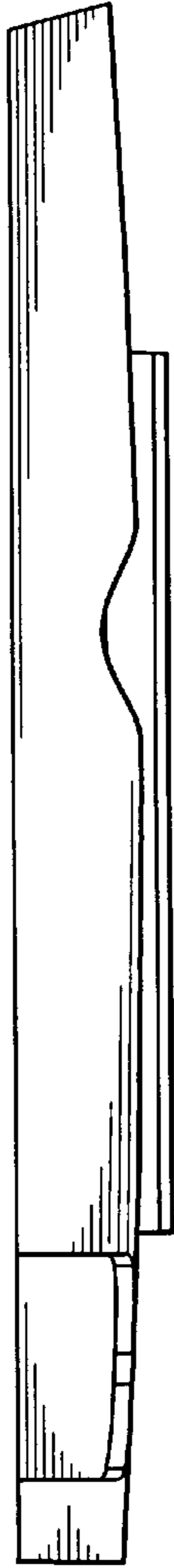


Fig. 6.

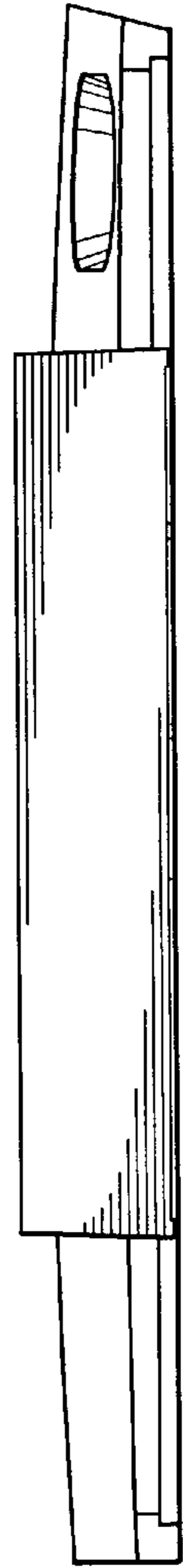


Fig. 7.

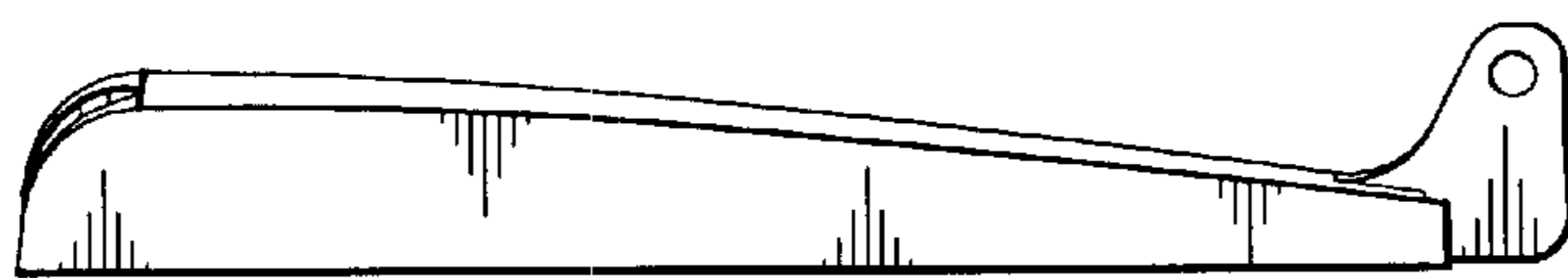


Fig. 8.

UNITED STATES PATENT AND TRADEMARK OFFICE
CERTIFICATE OF CORRECTION

PATENT NO. : Des. 457,633 S
DATED : May 21, 2002
INVENTOR(S) : J.C. Daynes et al.

Page 1 of 1

It is certified that error appears in the above-identified patent and that said Letters Patent is hereby corrected as shown below:

Title page,

Item [54], Title, "DOOR FOR A PORTABLE DEFIBRILLATOR" should read
-- DOOR FOR A PORTABLE EXTERNAL DEFIBRILLATOR --

Signed and Sealed this

Nineteenth Day of November, 2002

Attest:



Attesting Officer

JAMES E. ROGAN
Director of the United States Patent and Trademark Office